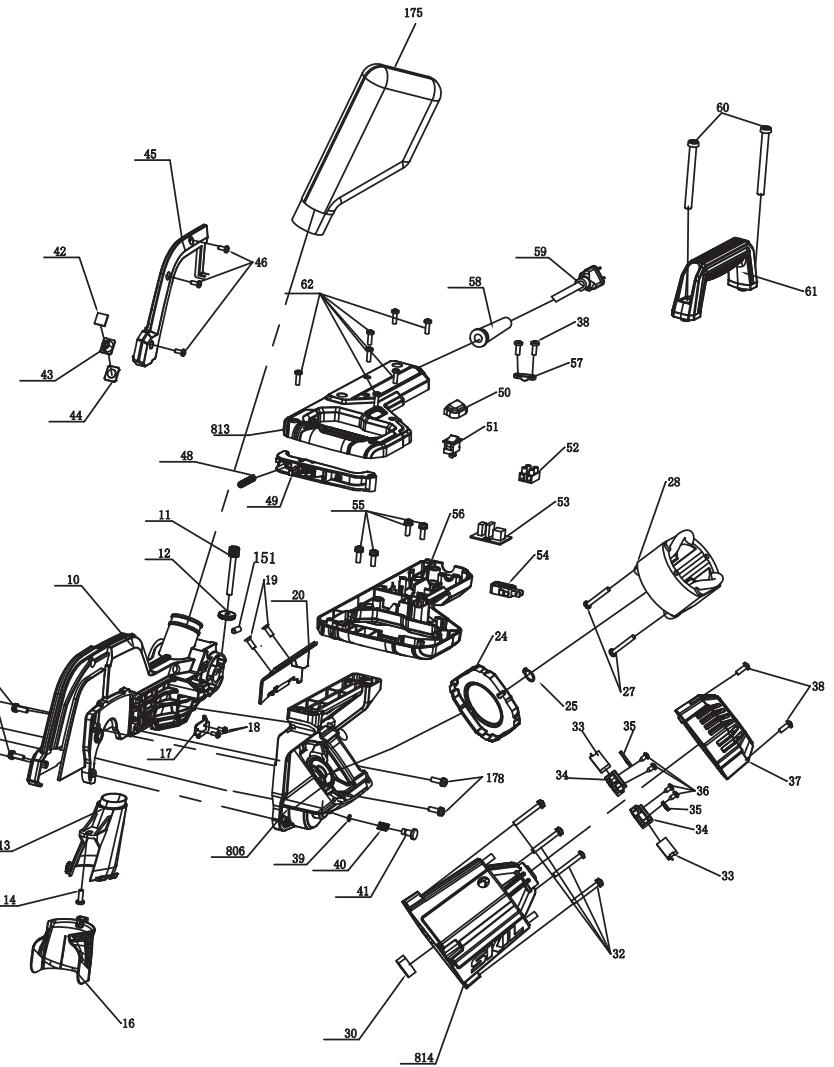
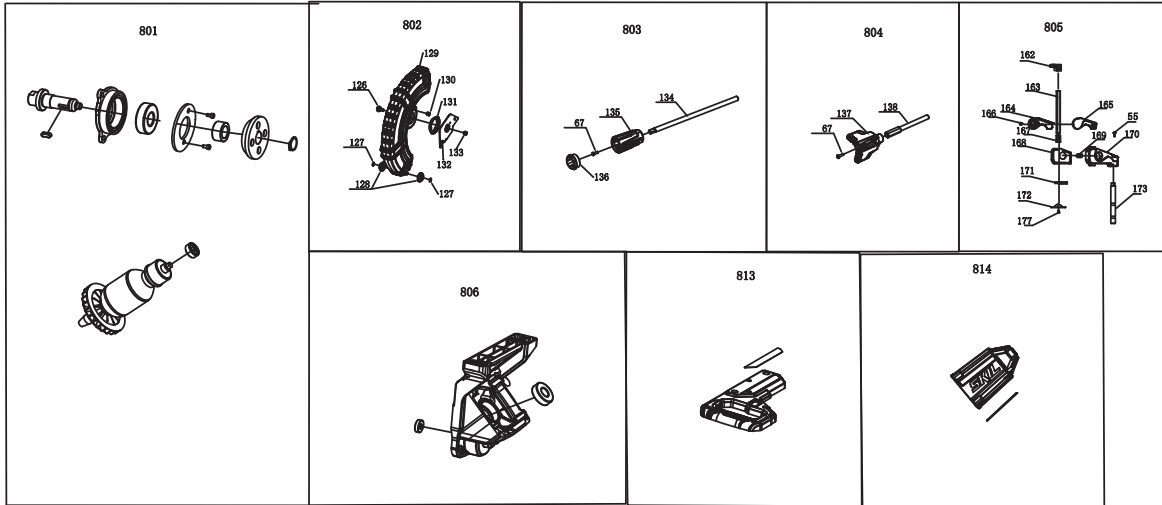
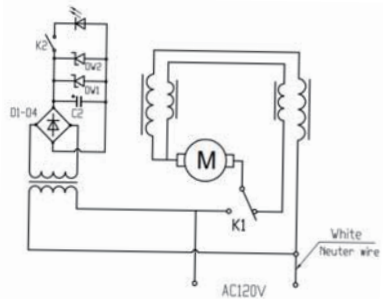




Product Description: Miter Saw
 Model Number: MS6305-00
 Body Number: 0200008030
 Version: A
 Issue Date: 2020/12/23

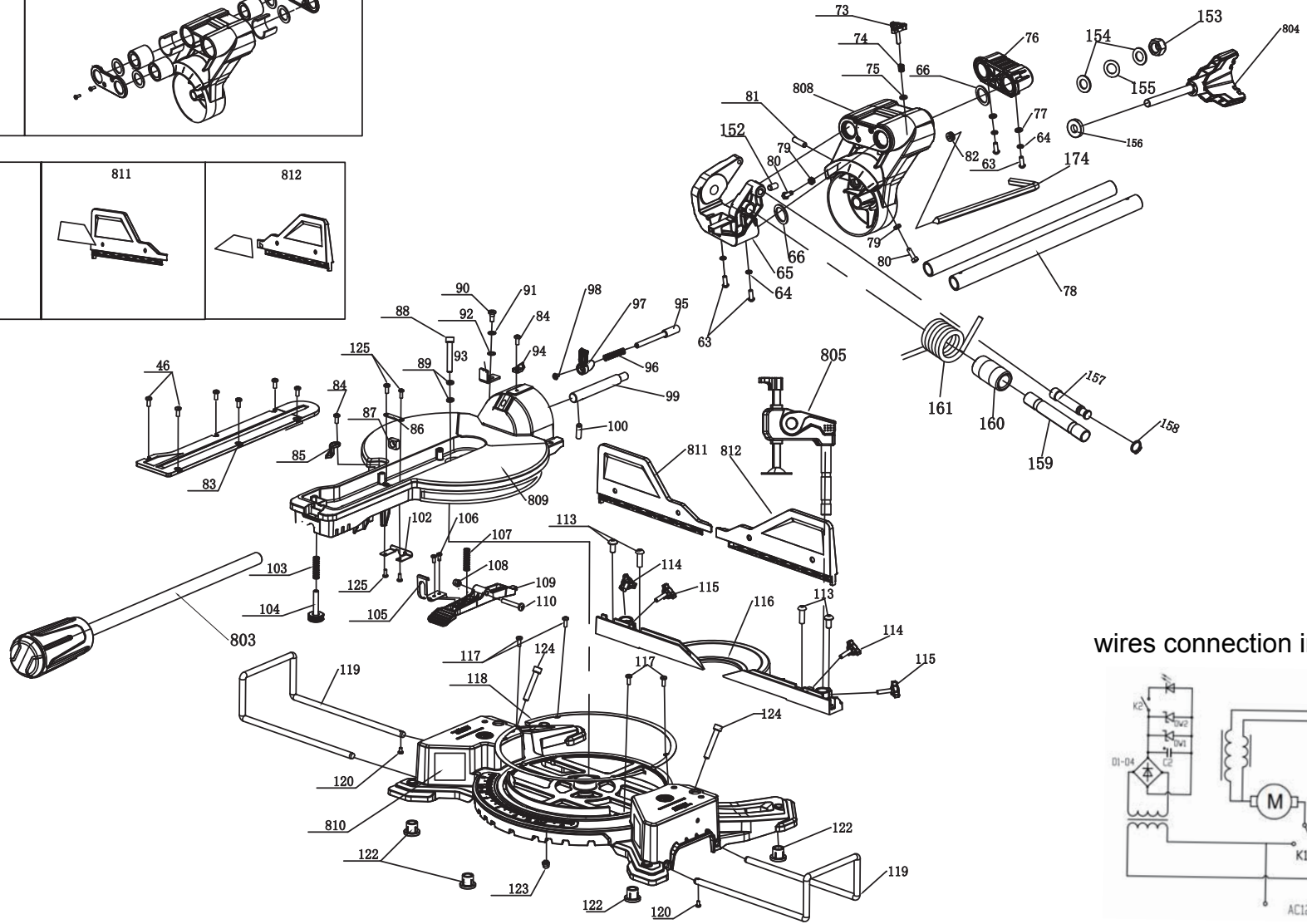
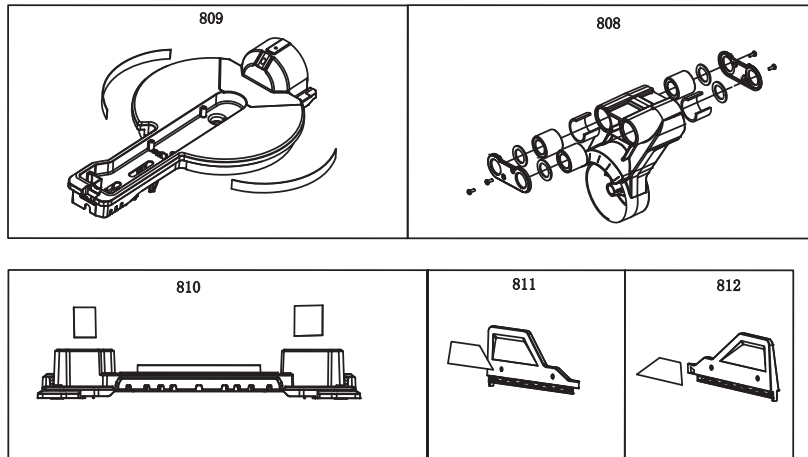


wires connection instruction

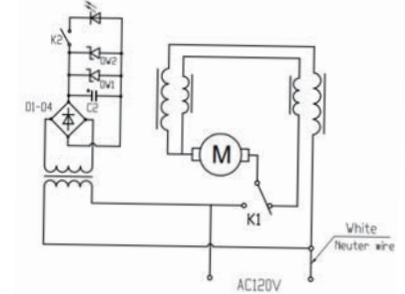




Product Description: Miter Saw
Model Number: MS6305-00
Body Number: 0200008030
Version: A
Issue Date: 2020/07/08



wires connection instruction



No.	Product Model#	Part Number	Description	Qty
9	MS6305-00	5610361345	Cross head screws	3
10	MS6305-00	3553285115	Upper blade guard	1
11	MS6305-00	3130253521	Depth adjuster	1
12	MS6305-00	5630352068	Knurled nut	1
13	MS6305-00	3130253522	Dust Collector	1
14	MS6305-00	5610361346	Cross pan head screw	1
16	MS6305-00	3130253523	Pad	1
17	MS6305-00	3706973152	Protective Plate	1
18	MS6305-00	5610361348	Cross pan head screw	2
19	MS6305-00	5610361349	Screw	2
20	MS6305-00	3130253524	Cover plate	1
24	MS6305-00	3130253525	Baffle	1
25	MS6305-00	5660288028	C-clip for shaft	1
27	MS6305-00	5610361350	Self-tapping screws	2
28	MS6305-00	2740520017	Field set	1
30	MS6305-00	3553285116	Bearing sleeve	1
32	MS6305-00	5610361351	Cross head screws	4
33	MS6305-00	4960384025	Carbon brush	2
34	MS6305-00	2800278015	Carbon brush holder	2
35	MS6305-00	3660753078	Carbon brush spring	2
36	MS6305-00	5610361352	Self-tapping screws	4
37	MS6305-00	3130253526	Motor end cap	1
38	MS6305-00	5610361353	Self-tapping screws	4
39	MS6305-00	5660288029	E-ring	1
40	MS6305-00	3660753079	Spring	1
41	MS6305-00	5670524047	spindle lock pin	1
42	MS6305-00	3130253527	LED light	1
43	MS6305-00	3130253528	lamp shade	1
44	MS6305-00	3130253529	LED lamp	1
45	MS6305-00	3130253530	LED lamp cover	1
46	MS6305-00	5610361354	Cross head screws	9
48	MS6305-00	3660753080	Spring	1
49	MS6305-00	4930857005	lock-off device	1
50	MS6305-00	3130253532	Switch Sheath	1
51	MS6305-00	4870696056	Switch	1
52	MS6305-00	4930857006	Terminal Post	1
53	MS6305-00	4250243001	Transformer	1
54	MS6305-00	4870696057	Switch	1
55	MS6305-00	5610361355	Cross head screws	5
56	MS6305-00	3130253533	Lower Operating handle	1
57	MS6305-00	3130253534	Cord Clamp	1
58	MS6305-00	3130253535	Cord guard	1
59	MS6305-00	4810237044	Power cord	1
60	MS6305-00	5610361356	Socket screws	2
61	MS6305-00	3130253536	Carry handle	1
62	MS6305-00	5610361357	Self-tapping screws	7
63	MS6305-00	5640322034	Hexagon socket screw	4
64	MS6305-00	5650710163	Spring washer	4
65	MS6305-00	3553285117	Bracket	1
66	MS6305-00	5690438052	Buffer ring	2

No.	Product Model#	Part Number	Description	Qty
67	MS6305-00	5610361381	Cross head screws	2
73	MS6305-00	3130253537	Knob	1
74	MS6305-00	3660753081	Spring	1
75	MS6305-00	5650710164	Flat washer	1
76	MS6305-00	3130253538	Slide end cap	1
77	MS6305-00	5650710165	Flat washer	2
78	MS6305-00	3553285118	Guide bar	2
79	MS6305-00	5630352069	Hex nut	2
80	MS6305-00	5610361358	Hexagon head screw	2
81	MS6305-00	5610361359	Set screws	1
82	MS6305-00	3130253539	Ring	1
83	MS6305-00	3130253540	Table insert	1
84	MS6305-00	5610361360	Cross head screws	2
85	MS6305-00	3706973153	Miter indicator	1
86	MS6305-00	3706973154	Nut Clamp	1
87	MS6305-00	5630352070	Square nut	1
88	MS6305-00	5610361361	Hexagon socket head screws	1
89	MS6305-00	5650710166	Flat washer	2
90	MS6305-00	5610361362	Special screw	1
91	MS6305-00	5650710167	Wave washer	1
92	MS6305-00	5650710168	Flat washer	1
93	MS6305-00	3706973155	Angle change-over plate	1
94	MS6305-00	3706973156	Bevel indicator	1
95	MS6305-00	3553285119	Tilt clamp Stud	1
96	MS6305-00	3660753082	Spring	1
97	MS6305-00	3553285120	Angular positioning sleeve	1
98	MS6305-00	5610361363	Cross head screws	1
99	MS6305-00	3553285121	Rotary shaft	1
100	MS6305-00	5610361364	Set screws	1
102	MS6305-00	3706973157	Lock plate	1
103	MS6305-00	3660753083	Spring	1
104	MS6305-00	3403084015	Table Foot	1
105	MS6305-00	3706973158	Spring Plate	1
106	MS6305-00	5610361365	Self-tapping screws	2
107	MS6305-00	3660753084	Spring	1
108	MS6305-00	5630352071	Lock nut	1
109	MS6305-00	3130253541	Locating lever	1
110	MS6305-00	5610361366	Cross head screws	1
113	MS6305-00	5610361367	half-round head screws	4
114	MS6305-00	3130253542	Knob	2
115	MS6305-00	3130253543	Knob	2
116	MS6305-00	3553285122	Fence	1
117	MS6305-00	5610361368	Cross head screws	4
118	MS6305-00	3706973159	Wearproof plate	2
119	MS6305-00	3553285123	Extension bar	2
120	MS6305-00	5610361369	Self-tapping screws	2
122	MS6305-00	3130253544	Foot pad	4
123	MS6305-00	5630352072	Lock nut	1
124	MS6305-00	5610361370	Socket screws	2
125	MS6305-00	5610361371	Cross head screws	4

No.	Product Model#	Part Number	Description	Qty
139	MS6305-00	3580000049	Inner flange	1
141	MS6305-00	3580000050	Outer flange	1
142	MS6305-00	5610361372	Socket head screw	1
143	MS6305-00	5610361373	I-shaped axial screw	1
144	MS6305-00	5650710169	Wave washer	1
145	MS6305-00	5610361374	Cross head screws	1
146	MS6305-00	5610361375	Screws (M6X16)	1
147	MS6305-00	5650710170	Wave washer	1
148	MS6305-00	3706973160	Linkage	1
149	MS6305-00	5630352073	Lock nut	1
150	MS6305-00	5610361376	Shoulder screws	1
151	MS6305-00	5610361377	Set screws	1
152	MS6305-00	5610361378	Set screws	1
153	MS6305-00	5630352074	Lock nut	1
154	MS6305-00	5650710171	Flat washer	2
155	MS6305-00	3660753085	Butterfly Spring	1
156	MS6305-00	5650710172	Flat washer	1
157	MS6305-00	5670524048	Lock down pin	1
158	MS6305-00	5660288030	criclip for shaft	1
159	MS6305-00	3553285124	Pivot shaft	1
160	MS6305-00	3580000051	Spring sleeve	1
161	MS6305-00	3660753086	Big torsion spring	1
174	MS6305-00	5680258040	Spanner	1
175	MS6305-00	2500695003	Dust Bag	1
178	MS6305-00	5610361397	Cross head screws	4
801	MS6305-00	2826622364	Assembly	1
802	MS6305-00	2826622304	Shield set	1
126	MS6305-00	5610361380	Shoulder screws	1
127	MS6305-00	5650710173	Screw cap	2
128	MS6305-00	3130253546	moving guard wheel	2
129	MS6305-00	3130253547	Lower blade guard	1
130	MS6305-00	5630352075	Hexagon nut	1
131	MS6305-00	3660753087	Torsional spring	1
132	MS6305-00	3706973161	Lower Guard Bracket	1
133	MS6305-00	5630352076	Lock nut	1
803	MS6305-00	2826622305	Miter angle locking lever set	1
134	MS6305-00	3553285128	Mitre angle lock rod	1
135	MS6305-00	3130253548	Miter lock hadle	1
136	MS6305-00	3130253549	Miter lock hadle end cap	1
804	MS6305-00	2826622306	Bevel Angle Locking Lever set	1
137	MS6305-00	3130253550	Bevel lock handle	1
138	MS6305-00	5640322035	Hex bolt	1
805	MS6305-00	2826622307	Work Clamp	1
162	MS6305-00	3130253551	Pin CAP	1
163	MS6305-00	3553285129	Clamping Rod	1
164	MS6305-00	3130253552	Left Horizontal Lock Handle	1
165	MS6305-00	3130253553	Right Horizontal Lock Handle	1
166	MS6305-00	5610361382	elf-tapping screws	1
167	MS6305-00	3660753088	Large compression spring	1
168	MS6305-00	3706973162	Side cover of gripping arm	1

No.	Product Model#	Part Number	Description	Qty
169	MS6305-00	3660753089	Small Spring	1
170	MS6305-00	3130253554	Gripping arm	1
171	MS6305-00	3706973163	Bent Joint	1
172	MS6305-00	3706973164	Clamp Plate	1
173	MS6305-00	3553285130	Holding Rod	1
177	MS6305-00	5610361383	Cross head screws	1
806	MS6305-00	2826622308	Gear Box Assembly	1
808	MS6305-00	2826622310	Crank arm assembly	1
809	MS6305-00	2826622297	Turn table assembly	1
810	MS6305-00	2826622298	Base assembly	1
811	MS6305-00	2826622299	Extension Fence L assembly	1
812	MS6305-00	2826622300	Extension Fence R assembly	1
813	MS6305-00	2826622301	main handle-Upper assembly	1
814	MS6305-00	2826622302	Motor housing assembly	1