

Scroll Saw - F 013 MS2 000 - MS 20

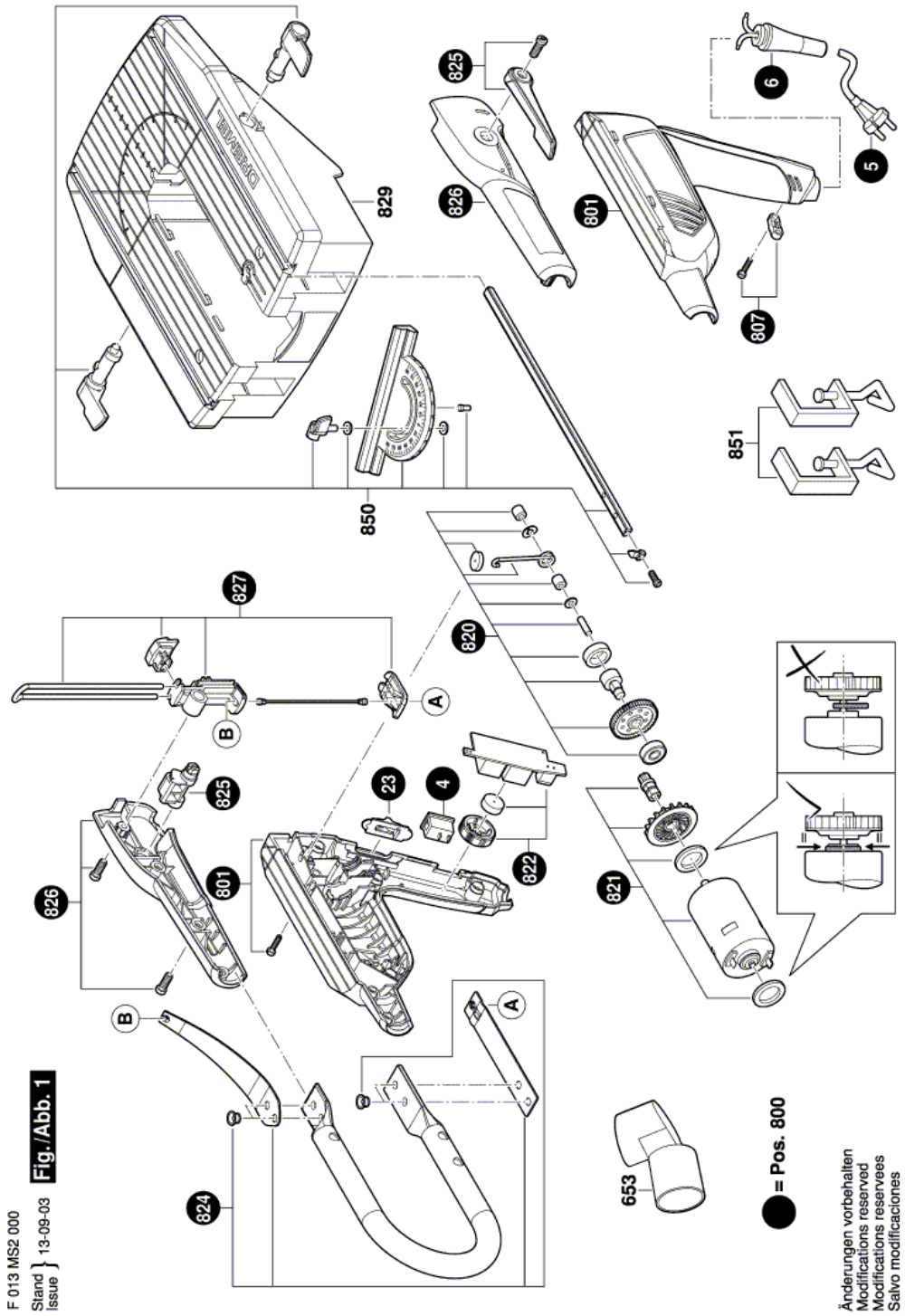
www.powertools-aftersaleservice.com



BOSCH

Item	Part Number	Description	Illustration	Price	Quantity	Price Group
4	2 610 Z03 714	Switch	1	-,-	1	15
5	2 604 460 122	Power supply cord USA/CDN 2,15m 2 x 0,82mm SJ 18/2	1	-,-	1	28
6	2 610 Z04 595	Cord guard	1	-,-	1	12
23	2 610 Z03 713	Switch Slide	1	-,-	1	10
653	2 610 Z04 038	Vacuum Adapter	1	-,-	1	16
800	2 610 033 091	Saw Frame	1	-,-	1	45
801	2 610 Z03 721	Housing	1	-,-	1	29
807	2 610 Z03 716	Cable Clip	1	-,-	1	11
820	2 610 Z03 710	Gear Unit	1	-,-	1	30
821	2 610 Z04 593	Motor	1	-,-	1	39
822	2 610 Z04 594	Speed governor	1	-,-	1	31
824	2 610 Z03 717	Bow Element	1	-,-	1	32
825	2 610 Z03 718	Knob	1	-,-	1	14
826	2 610 Z03 719	Upper Housing	1	-,-	1	23
827	2 610 Z03 720	guiding system	1	-,-	1	19
829	2 610 Z04 596	Table	1	-,-	1	36
850	2 610 031 628	Angle Attachment	1	-,-	1	28
851	2 610 Z03 725	Clamp	1	-,-	1	26

Illustration - Type E



Information subject to change without further notice.