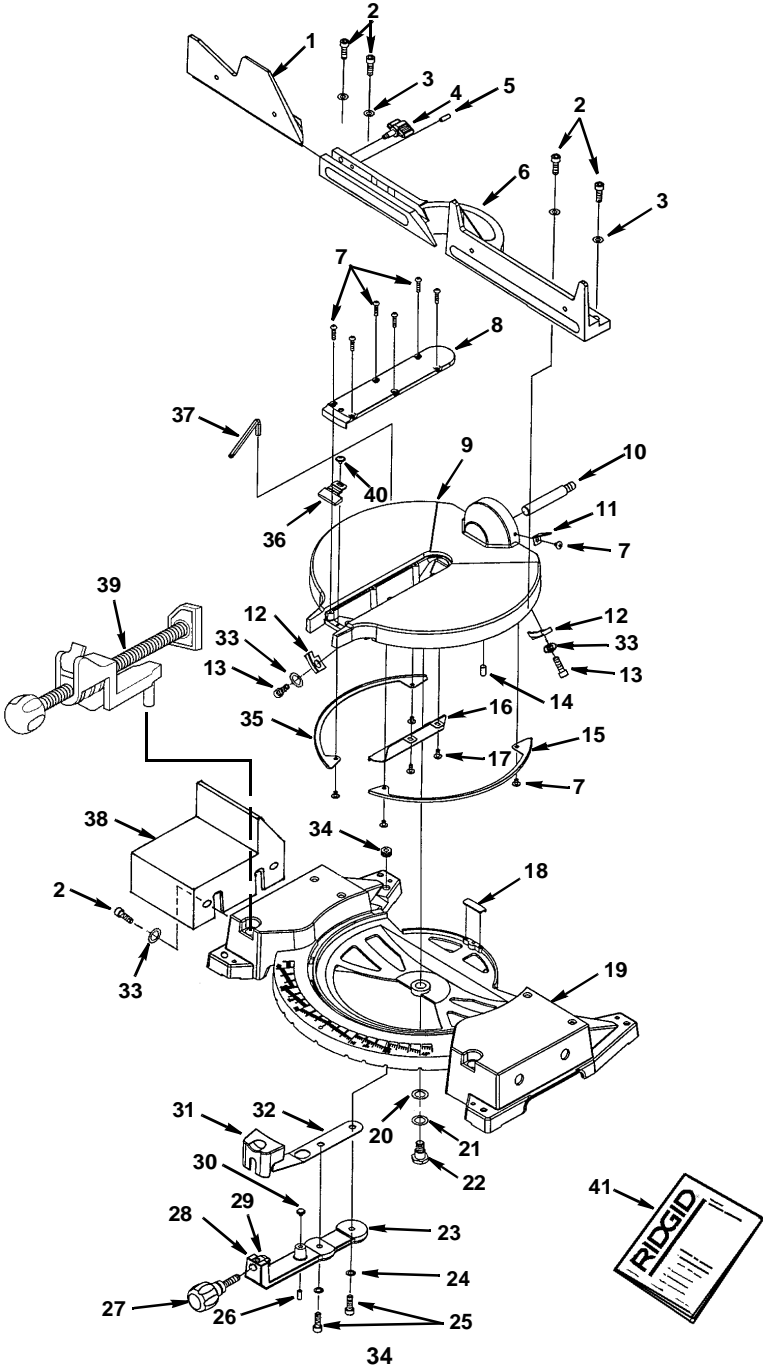


Parts List For RIDGID 12" Compound Miter Saw
Model No. MS12502

RIDGID parts are available on-line at www.ridgidparts.com

Figure 1



Repair Parts

Parts List For RIDGID 12" Compound Miter Saw Model No. MS12502

RIDGID parts are available on-line at www.ridgidparts.com

Figure 1

Always order by part number - not by key number

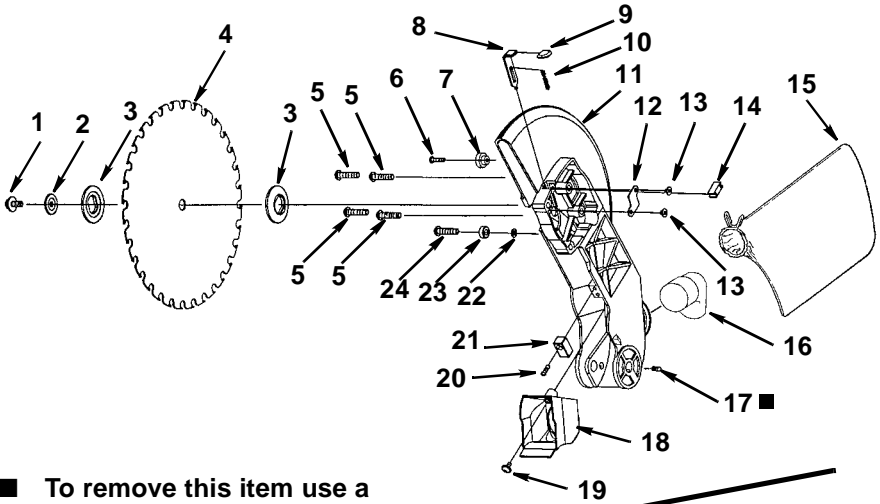
Key No.	Part No.	Description	Key No.	Part No.	Description
1	828102	Fence Sliding	22	823355	Bolt Table Pivot
2	141594-17	Screw Soc Cap 5/16-18 x 1	23	828106	Arm Miter
3	821063-6	*Washer 8 x 16 x 1.2	24	140785-6	*Lockwasher Int. Tooth 5/16"
4	827439	Knob Fence	25	9421622	*Screw Soc Cap 5/16-18 x 3/4
5	820244-6	*Screw Pan Hd M6 x 1.0 x 18	26	828040-1	Screw Set Lock M6 x 1.0-16
6	828103	Fence Stationary	27	828032	Knob Miter
7	816755-10	*Screw Pan Hd. M5 x 0.8-8	28	827886-1	Screw Sems M5-5
8	826886	Plate Throat	29	828031	Plate Clamp Miter
9	828104	Table	30	823356	Shoe Base Front
10	827434	Shaft Bevel Pivot	31	828128	Grip Miter Index
11	827438	Indicator Bevel	32	828029	Spring Miter Index
12	826882	Stop Bevel Index	33	821063-6	* Washer 8 x 16 x 1.2
13	9421621	*Screw Soc Cap 5/16-18 x 5/8	34	823335	Grommet Wrench
14	827449	Screw Soc Set Lock M8 x 1.25-16	35	823332	Shoe Right
15	823331	Shoe Left	36	826885	Indicator Miter
16	827879	Plate Guard	37	823492	Wrench Hex "L" 1/4
17	827886	Screw Sems M5-10	38	828109	Table Extension
18	823361	Shoe Base Rear	39	828048	Clamp
19	828105	Base	40	828119-1	Screw Sems M5-12
20	828116	Washer Spring 16.3 x 25 x 0.4	41	SP6449	Owners Manual
21	60047	Washer .630 x 1 x 1/32	-	828050	Bag Asm Ext. Hardware (Not Illustrated)

* Standard Hardware Item - May be purchased locally.

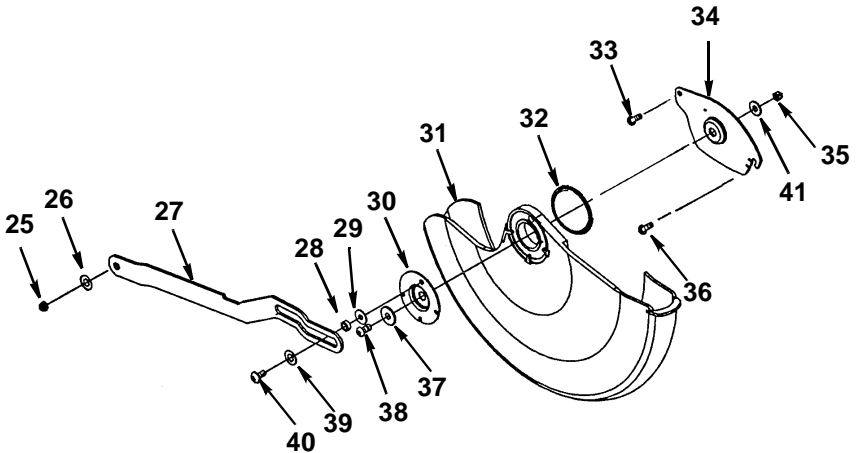
Repair Parts

Parts List For RIDGID 12" Compound Miter Saw Model No. MS12502

RIDGID parts are available on-line at www.ridgidparts.com
Figure 2 Upper and Lower Guards



■ To remove this item use a
3mm hex "L" wrench



Repair Parts

Parts List For RIDGID 12" Compound Miter Saw Model No. MS12502

RIDGID parts are available on-line at www.ridgidparts.com

Figure 2 Upper and Lower Guards ‡

Always order by part number - Not by key number

Key No.	Part No.	Description	Key No.	Part No.	Description
1	823351	Screw Arbor	21	823360	Bumper Lower Guard
2	816720	Washer Blade	22	820238-2	* Washer 6.5 x 11.8 x 1.6
3	823348	Collar Blade	23	821862	Bearing
4	828042	Blade	24	821875-1	Screw Shoulder M6-14
5	827886-2	Screw Sems M5 -35	25	817449-1	Nut Hex Lock M6 x 1.0
6	821878	Screw Shoulder 10-32 x 7/8"	26	820238-5	* Washer 6.5 x 13 x 0.8
7	827498	Sleeve Rubber	27	823340-1	Link Actuator
8	827512	Lock Arbor	28	820725-01	Spacer 7 x 10 x 4
9	827516	Cap Grip	29	820732-2	Washer 5.5 x 16 x 0.8
10	823402	*Spring	30	826879	Retainer Guard
11	828101-1	Arm Guard Upper	31	826878	* Guard Lower
12	823353	Plate Retainer Arbor Lock	32	816677	Spring Guard
13	823404	Screw Flat Hd M5 x 0.8-6	33	821873	Screw Shoulder 10-32x.50
14	823359	Grommet Arbor Lock	34	826876	Pivot Lower Guard
15	828045	Bag Dust	35	817449-1	Nut Hex Lock M6 x 1.0
16	828038	Elbow	36	809372-3	* Screw Pan Hd 10-32 x 1/2
17	828040-1	Screw Soc. Set Lock M6 x 1.0-16	37	827409	Retainer Bearing
18	827543	Chute Sawdust	38	828142	* Screw Flat Hd M6 x 1.0-13
19	828119	Screw Sems M5-25	39	820732-1	* Washer 7.5 x 16 x 0.6
20	816755-6	* Screw Pan Hd M5 x 0.8-16	40	820724-01	Screw Shoulder M5 x 0.8-16
			41	828141	Washer 1/4 x 16 x 1

* Standard Hardware Item - May Be Purchased Locally.

‡ CAUTION: See Mechanical Assembly Caution below.

• WARNING: Uncontrolled spring release of misinstallation of these parts may create a Hazard unless repair is done by a qualified service technician.

CAUTION: Mechanical Assembly, to qualified service technician.

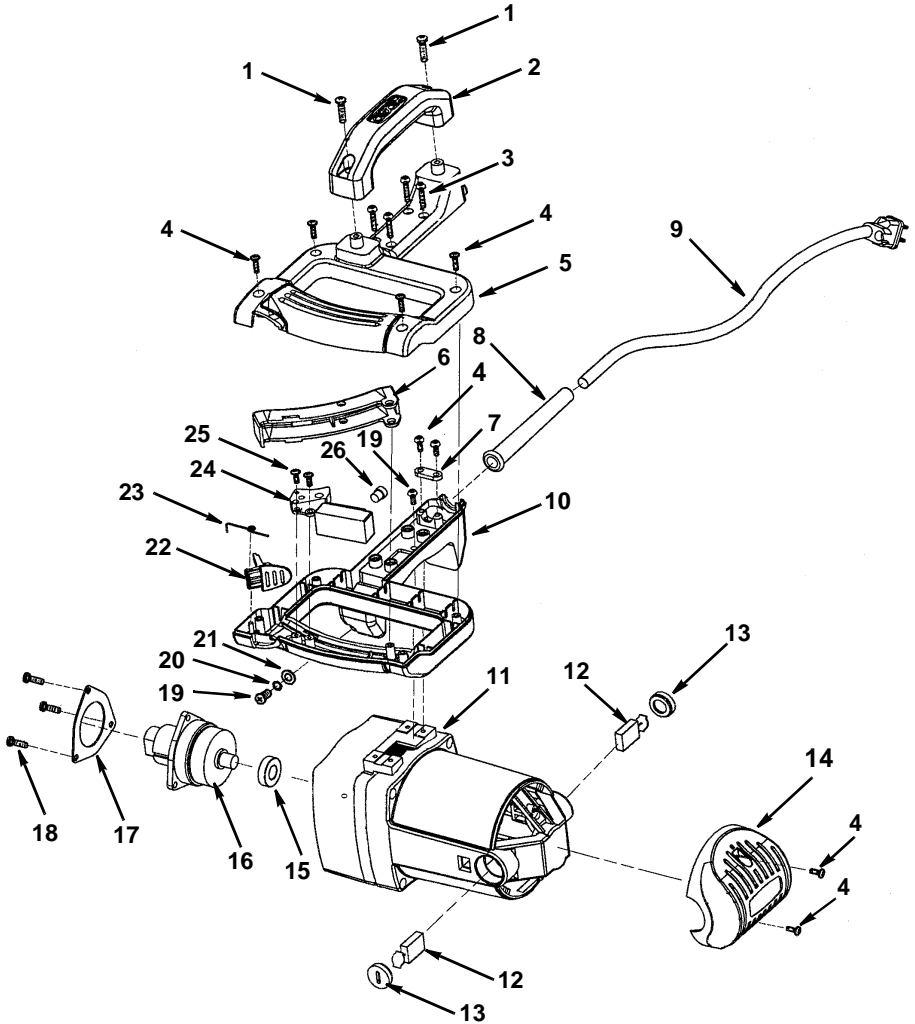
1. Wear approved eye protection when working with coil springs including spring, arbor lock 823402.
2. Incorrect re-assembly of torsion spring 828066 can cause an unsafe condition because cutting head fails to rise fully to stop, or because spring fails through over-stress.
3. Improper reassembly of mechanisms controlling movement of lower guard 826878 can cause an unsafe condition because guard fails to operate freely as cutting head is moved up and down.

Repair Parts

Parts List For RIDGID 12" Compound Miter Saw Model No. MS12502

RIDGID parts are available on-line at www.ridgidparts.com

Figure 3 - Handle and Motor Assembly



Repair Parts

Parts List For RIDGID 12" Compound Miter Saw Model No. MS12502

RIDGID parts are available on-line at www.ridgidparts.com

Figure 3 - Handle and Motor Assembly

Always order by Part Number - Not by Key Number

Key No.	Part No.	Description	Key No	Part No.	Description
1	828123	Screw Pan Hd Ty E M5-30	14	828064	Cover Rear Motor
2	828063	Handle Carry	15	816781	Bearing Needle
3	820376-5	*Screw Pan Hd Ty TT M4x0.7-20	16	828133	Spindle Asm
4	828122	Screw Pan Hd Ty E M4-14	17	823271	Retainer Bearing
5	828062	Handle Upper	18	816755-2	*Screw Pan M5 x 0.8-15
6	828059	Actuator Switch	19	820376-4	Screw Pan Hd Ty TT M4x0.7-10
7	816725	Clamp Cord	20	813303-4	*Lockwasher M4
8	821122-1	Guard Cord	21	821102	*Washer 4 x 9 x 0.8
9	828057	Cord w/Plug	22	828060	Button Lock
10	828056	Handle Lower	23	828061	Spring Torsion
11	828125	Motor	24	823493	Switch
12	816768	Brush	25	828122-1	Screw Pan Hd Ty E M4-10
13	816770	Cover Brush	26	803709-1	*Connector Wire #12-#18

* Standard hardware item - May be purchased locally.

• WARNING: Any attempt to repair or replace electrical parts on this unit may create a hazard unless repair is done by a qualified service technician.

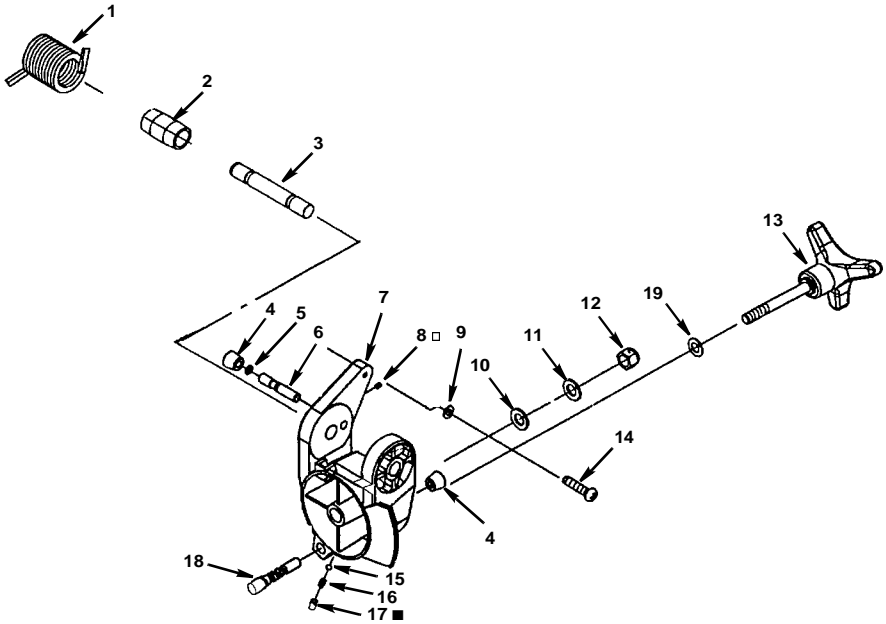
WARNING: For your safety, this miter saw is specially insulated. To reduce the risk of electrical shock, fire or injury, use only parts identical to those identified in the parts list. Reassemble exactly as originally assembled.

Repair Parts

Parts List For RIDGID 12" Compound Miter Saw Model No. MS12502

RIDGID parts are available on-line at www.ridgidparts.com

Figure 4 - Pivot Assembly



Always order by Part Number - Not by Key Number

Key No.	Part No.	Description	Key No.	Part No.	Description
1	828066	‡Spring Torsion	11	819179	Washer Spring
2	823320	Spacer Torsion Spring	12	818656	Nut Lock M12 x 1.75
3	823344	Shaft Arm Pivot	13	827488	Knob Bevel
4	828034	Cap Rubber	14	821875-4	Screw Shoulder
5	821421-2	Ring "O"	15	823742-2	Ball 5mm
6	828035	Pin Locking	16	828039	Spring
7	828107-1	Pivot	17	828040	Screw Set Lock
8	828120	Screw Set Lock M4 x 0.7-5	18	828041-1	M6 x 1.0-10
9	821063-1	*Washer 8 x 16 x 0.5	19	828170	Pin Bevel Index
10	828117	Washer 12.5 x 22 x 2			* Washer 10 x 20 x 2

* Standard hardware item - May be purchased locally.

■ To remove this item use a 3mm hex "L" wrench.

□ To remove this item use a 2mm hex "L" wrench.

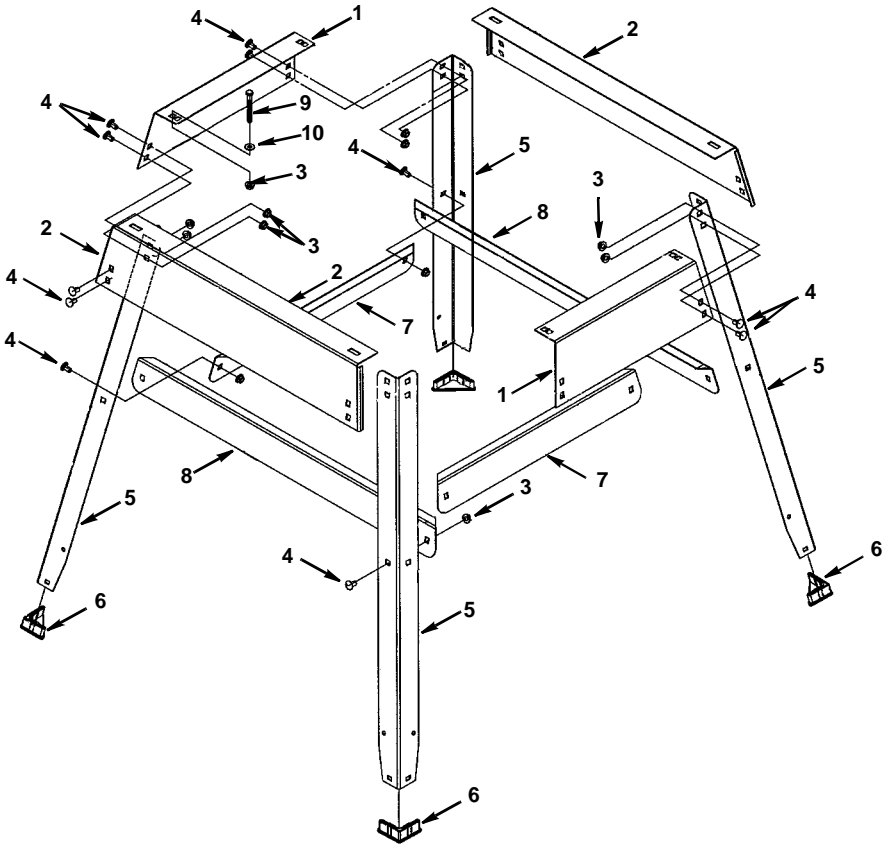
‡ CAUTION: See mechanical assembly caution on page 37.

Repair Parts

Parts List For RIDGID 12" Compound Miter Saw Model No. MS12502

RIDGID parts are available on-line at www.ridgidparts.com

Figure 5 - Legset



Always order by Part Number - Not by Key Number

Key No.	Part No.	Description
1	829620	Short Upper Stiffener
2	829621	Long Upper Stiffener
3	827566	Nut Hex Flanged 5/16-18
4	825780-1	Carriage Bolt 5/16-18 x 5/8
5	829624	Leg
6	829619	Foot

Key No.	Part No.	Description
7	829623	Short Lower Stiffener
8	829622	Long lower Stiffener
9	805467-13	Screw Hex Hd 5/16-18 x 2-1/2
10	819198	Washer
—	829625	Bag Asm (Leg Set Hardware)

* Standard hardware item - May be purchased locally.

— Items Not Illustrated