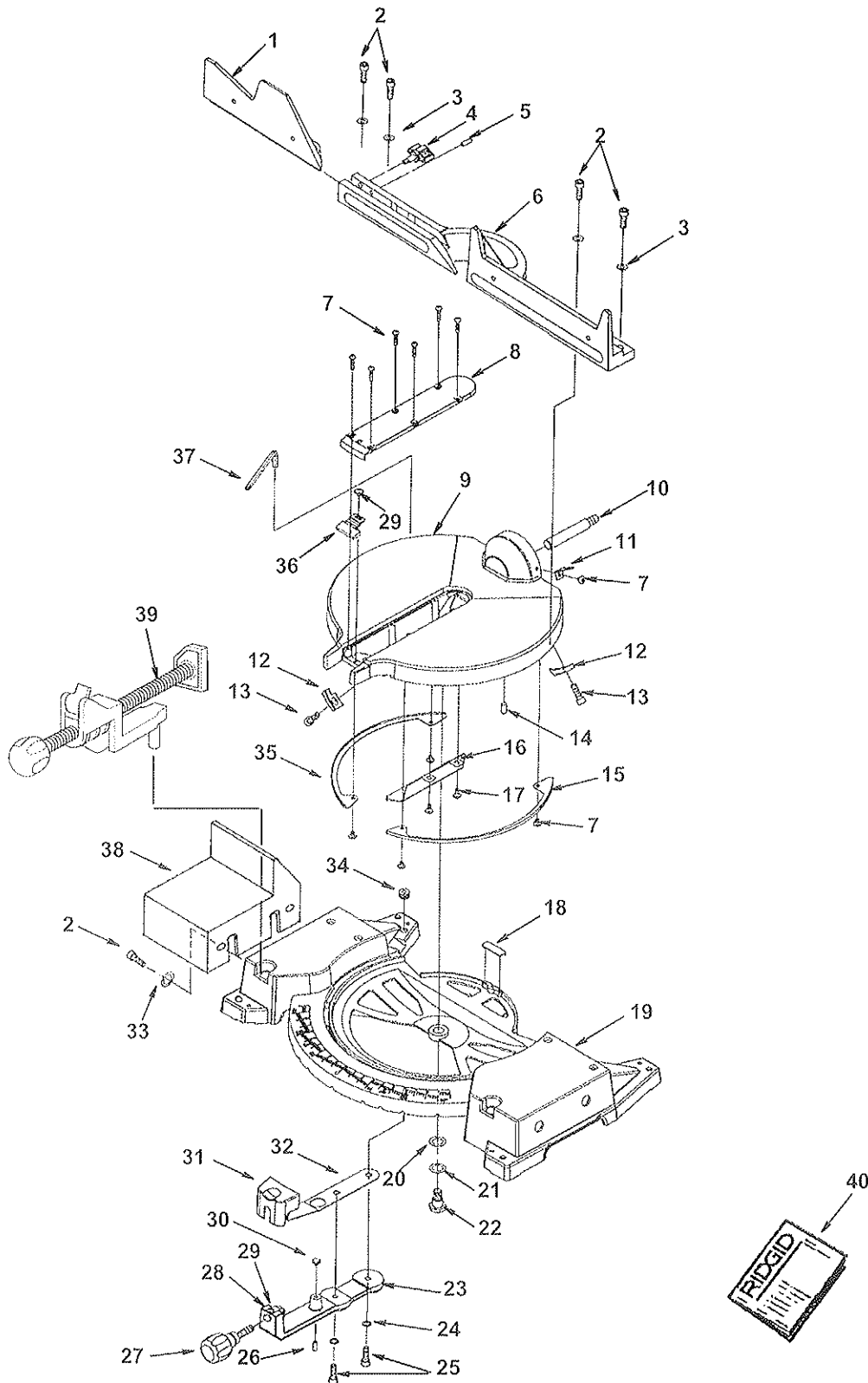


Repair Parts

Parts List For RIDGID 12" Compound Miter Saw Model No. MS12500

RIDGID parts are available on-line at www.ridgidparts.com

Figure 1



Repair Parts

Parts List For RIDGID 12" Compound Miter Saw Model No. MS12500

RIDGID parts are available on-line at www.ridgidparts.com

Figure 1

Always order by part number - not by key number

| Key No. | Part No. | Description |
|---------|-----------|---------------------------------|
| 1 | 828102 | Fence Sliding |
| 2 | 141594-17 | Screw Soc Cap 5/16-18 x 1 |
| 3 | 821063-1 | *Washer 8 x 16 x 0.5 |
| 4 | 827439 | Knob Fence |
| 5 | 820244-6 | *Screw Pan Hd M6 x 1.0 x 18 |
| 6 | 828103 | Fence Stationary |
| 7 | 816755-10 | *Screw Pan Hd. M5 x 0.8-8 |
| 8 | 826886 | Plate Throat |
| 9 | 828104 | Table |
| 10 | 827434 | Shaft Bevel Pivot |
| 11 | 827438 | Indicator Bevel |
| 12 | 826882 | Stop Bevel Index |
| 13 | 9421621 | *Screw Soc Cap 5/16-18 x 5/8 |
| 14 | 827449 | Screw Soc Set Lock M8 x 1.25-16 |
| 15 | 823331 | Shoe Left |
| 16 | 827879 | Plate Guard |
| 17 | 827886 | Screw Sems M5-10 |
| 18 | 823361 | Shoe Base Rear |
| 19 | 828105 | Base |
| 20 | 828116 | Washer Spring 16 x 25 x 0.4 |
| 21 | 60047 | Washer .630 x 1 x 1/32 |

| Key No. | Part No. | Description |
|---------|-----------|--|
| 22 | 823355 | Bolt Table Pivot |
| 23 | 828106 | Arm Miter |
| 24 | 813163-12 | *Lockwasher 8mm |
| 25 | 9421622 | *Screw Soc Cap 5/16-18 x 3/4 |
| 26 | 828040-1 | Screw Set Lock M6 x 1.0-16 |
| 27 | 828032 | Knob Miter |
| 28 | 827544-1 | Screw Sems M5-8 |
| 29 | 828031 | Plate Clamp Miter |
| 30 | 823356 | Shoe Base Front |
| 31 | 828128 | Grip Miter Index |
| 32 | 828029 | Spring Miter Index |
| 33 | 821063-2 | *Washer 8 x 16 x 1.6 |
| 34 | 823335 | Grommet Wrench |
| 35 | 823332 | Shoe Right |
| 36 | 826885 | Indicator Miter |
| 37 | 823492 | Wrench Hex "L" 1/4 |
| 38 | 828109 | Table Extension |
| 39 | 828048 | Clamp |
| 40 | SP6265 | Owners Manual |
| - | 828050 | Bag Asm Ext. Hardware (Not Illustrated) |

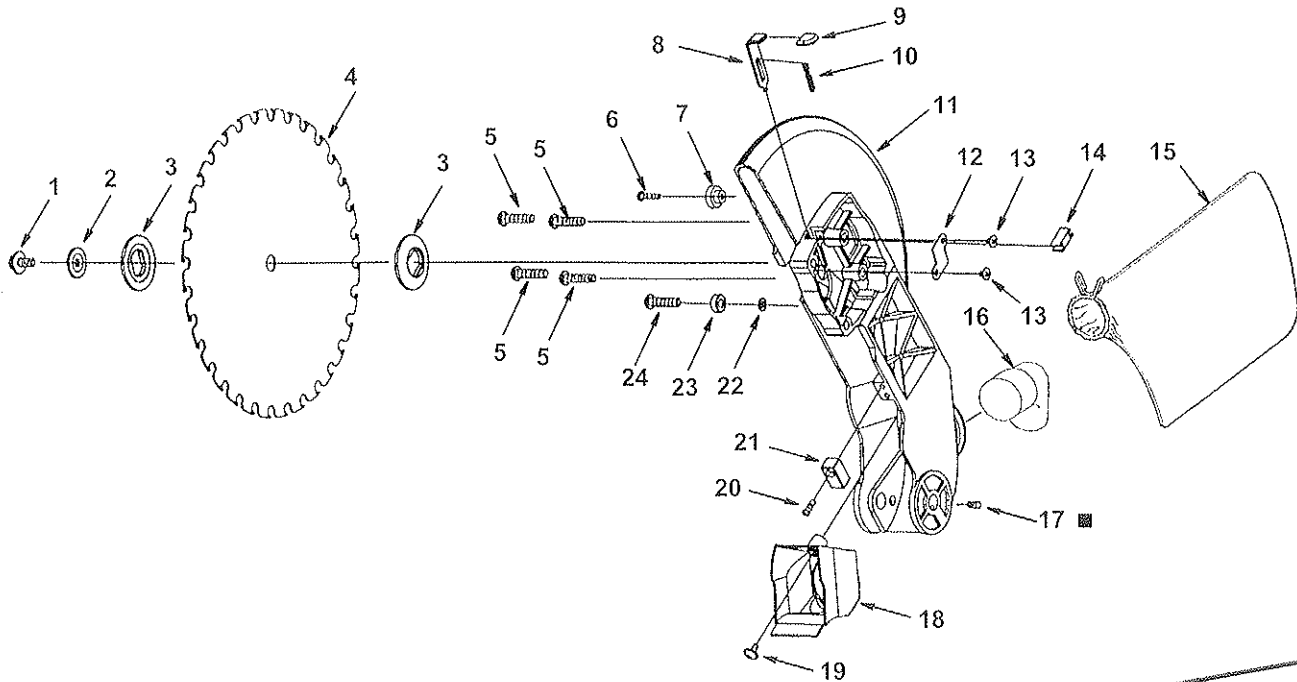
* Standard Hardware Item - May be purchased locally.

Repair Parts

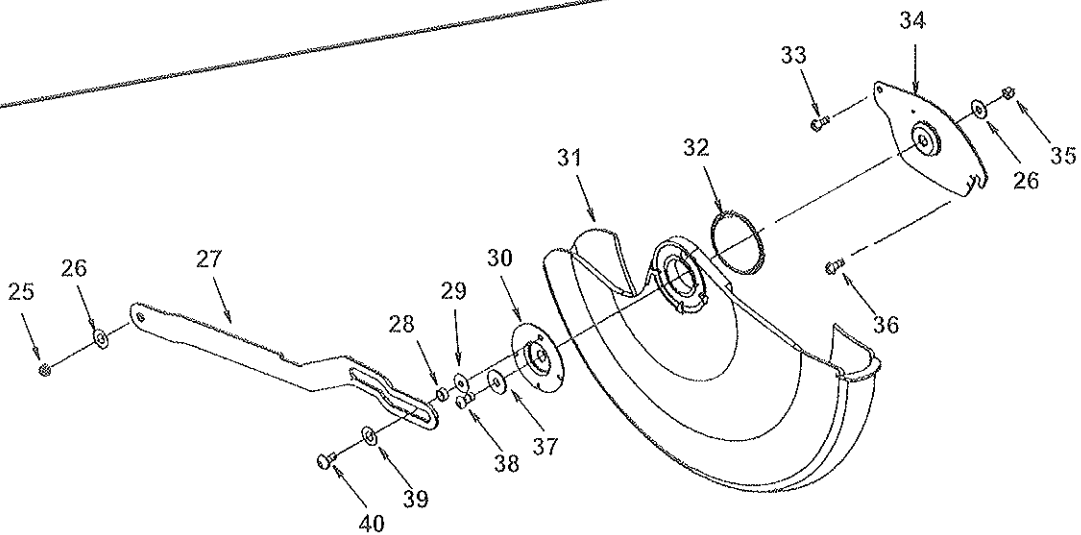
Parts List For RIDGID 12" Compound Miter Saw Model No. MS12500

RIDGID parts are available on-line at www.ridgidparts.com

Figure 2 Upper and Lower Guards



■ To remove this item use a
3mm hex "L" wrench



Repair Parts

Parts List For RIDGID 12" Compound Miter Saw Model No. MS12500

RIDGID parts are available on-line at www.ridgidparts.com

Figure 2 Upper and Lower Guards ‡

Always order by part number - Not by key number

| Key No. | Part No. | Description |
|---------|----------|---------------------------------|
| 1 | 823351 | Screw Arbor |
| 2 | 816720 | Washer Blade |
| 3 | 823348 | Collar Blade |
| 4 | 828042 | Blade |
| 5 | 827464 | Screw Sems M5 -35 |
| 6 | 821878 | Screw Shoulder 10-32 x .44 |
| 7 | 827498 | Sleeve Rubber |
| 8 | 827512 | Lock Arbor |
| 9 | 827516 | Cap Grip |
| 10 | 823402 | *Spring |
| 11 | 828101 | Arm Guard Upper |
| 12 | 823353 | Plate Retainer Arbor Lock |
| 13 | 823404 | Screw Flat Hd M5 x 0.8-6 |
| 14 | 823360 | Bumper Lower Guard |
| 15 | 828045 | Bag Dust |
| 16 | 824406 | Elbow |
| 17 | 828040-1 | Screw Soc. Set Lock M6 x 1.0-16 |
| 18 | 827543 | Chute Sawdust |
| 19 | 827544 | Screw Sems M5-12 |
| 20 | 816755-6 | * Screw Pan Hd M5 x 0.8-16 |

| Key No. | Part No. | Description |
|---------|-----------|----------------------------|
| 21 | 823359 | Grommet Arbor Lock |
| 22 | 820238-2 | * Washer M6 x 12 x 1.6 |
| 23 | 821862 | Bearing |
| 24 | 821875-1 | Screw Shoulder 7.5 x 8 |
| 25 | 817449-1 | Nut Hex Lock M6 x 1.0 |
| 26 | 820238-5 | * Washer M6.5 x 13 x 0.8 |
| 27 | 823340-1 | Link Actuator |
| 28 | 820725-01 | Spacer 7 x 10 x 4 |
| 29 | 820732-2 | Washer 5.5 x 16 x 0.8 |
| 30 | 826879 | Retainer Guard |
| 31 | 826878 | * Guard Lower |
| 32 | 816677 | Spring Guard |
| 33 | 821873 | Screw Shoulder 10-32x.50 |
| 34 | 826876 | Pivot Lower Guard |
| 35 | 817449-1 | Nut Hex Lock M6 x 1.0 |
| 36 | 808277-8 | * Screw Pan Hd 10-32 x 1/2 |
| 37 | 827409 | Retainer Bearing |
| 38 | 820244-2 | * Screw Pan Hd M6 x 1.0-10 |
| 39 | 820732-1 | * Washer 7.5 x 16 x 0.6 |
| 40 | 820724-01 | Screw Shoulder M5 x 0.8 |

* Standard Hardware Item - May Be Purchased Locally.

‡ CAUTION: See Mechanical Assembly Caution below.

• WARNING: Uncontrolled spring release or misinstallation of these parts may create a Hazard unless repair is done by a qualified service technician.

CAUTION: Mechanical Assembly, to qualified service technician.

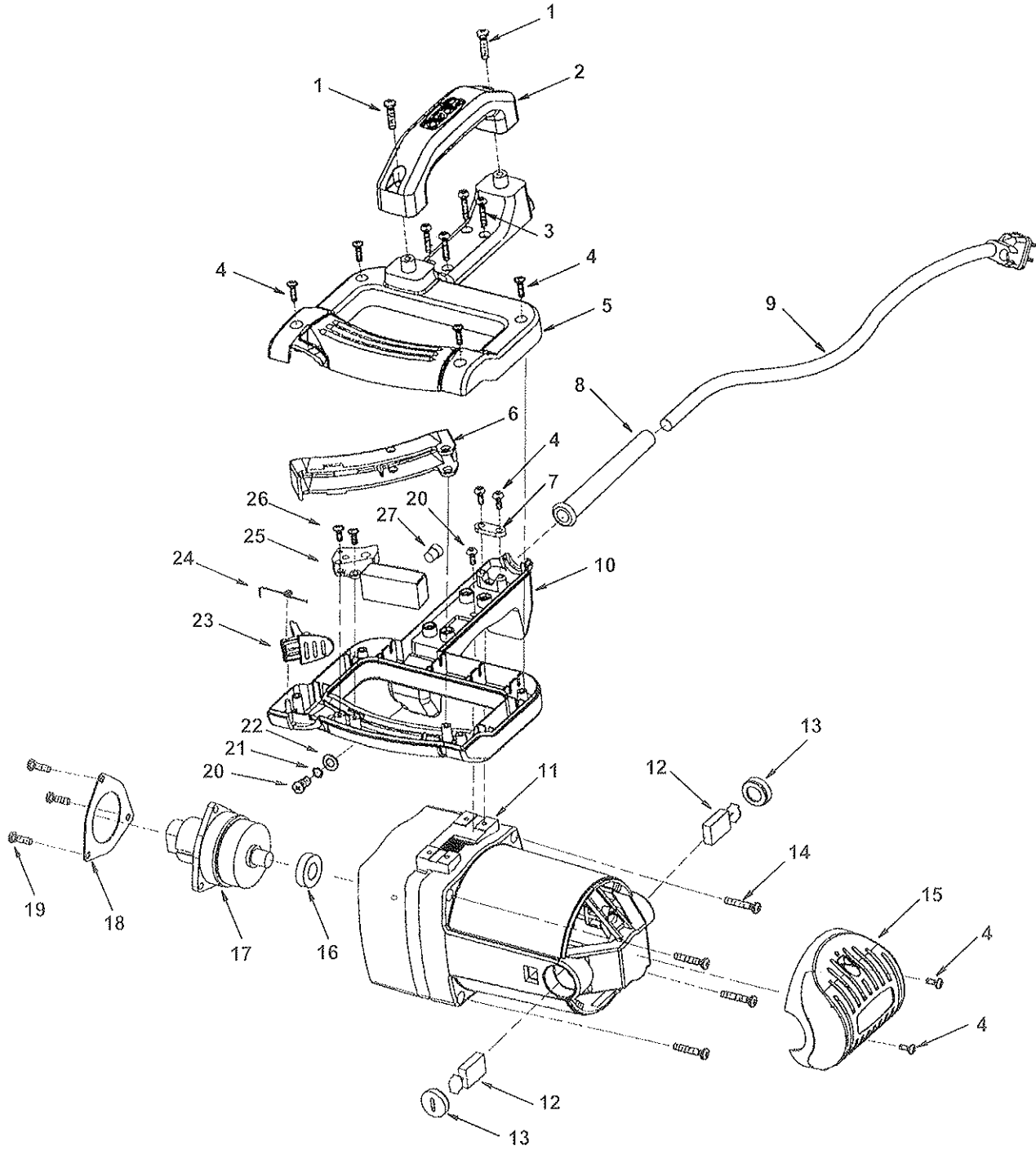
1. Wear approved eye protection when working with coil springs including spring, arbor lock 823402.
2. Incorrect re-assembly of torsion spring 828066 can cause an unsafe condition because cutting head fails to rise fully to stop, or because spring fails through over-stress.
3. Improper reassembly of mechanisms controlling movement of lower guard 826878 can cause an unsafe condition because guard fails to operate freely as cutting head is moved up and down.

Repair Parts

Parts List For RIDGID 12" Compound Miter Saw Model No. MS12500

RIDGID parts are available on-line at www.ridgidparts.com

Figure 3 - Handle and Motor Assembly



Repair Parts

Parts List For RIDGID 12" Compound Miter Saw Model No. MS12500

RIDGID parts are available on-line at www.ridgidparts.com

Figure 3 - Handle and Motor Assembly

Always order by Part Number - Not by Key Number

| Key No. | Part No. | Description |
|---------|----------|-------------------------------|
| 1 | 828123 | Screw Pan Hd Ty E M5 x 16-30 |
| 2 | 828063 | Handle Carry |
| 3 | 820376-5 | *Screw Pan Hd Ty TT M4x0.7-20 |
| 4 | 828122 | Screw Pan Hd Ty E M4 x 16-14 |
| 5 | 828062 | Handle Upper |
| 6 | 828059 | Actuator Switch |
| 7 | 816725 | Clamp Cord |
| 8 | 821122-1 | Guard Cord |
| 9 | 828057 | Cord w/Plug |
| 10 | 828056 | Handle Lower |
| 11 | 828125 | Motor |
| 12 | 816768 | Brush |
| 13 | 816770 | Cover Brush |

| Key No | Part No. | Description |
|--------|----------|------------------------------|
| 14 | 828119 | *Screw Sems M5 x 0.8-25 |
| 15 | 828064 | Cover Rear Motor |
| 16 | 816781 | Bearing Needle |
| 17 | 828133 | Spindle Asm |
| 18 | 823271 | Retainer Bearing |
| 19 | 828124 | *Screw Sems M5 x 0.8-14 |
| 20 | 820376-4 | Screw Pan Hd Ty TT M4x0.7-10 |
| 21 | 813303-4 | *Lockwasher M4 |
| 22 | 821102 | *Washer 4.5 x 9 x 1 |
| 23 | 828060 | Button Lock |
| 24 | 828061 | Spring Torsion |
| 25 | 823493 | Switch |
| 26 | 828122-1 | Screw Pan Hd Ty E M4 x 16-10 |
| 27 | 803709-1 | *Connector Wire #12-#18 |

* Standard hardware item - May be purchased locally.

• **WARNING:** Any attempt to repair or replace electrical parts on this unit may create a hazard unless repair is done by a qualified service technician.

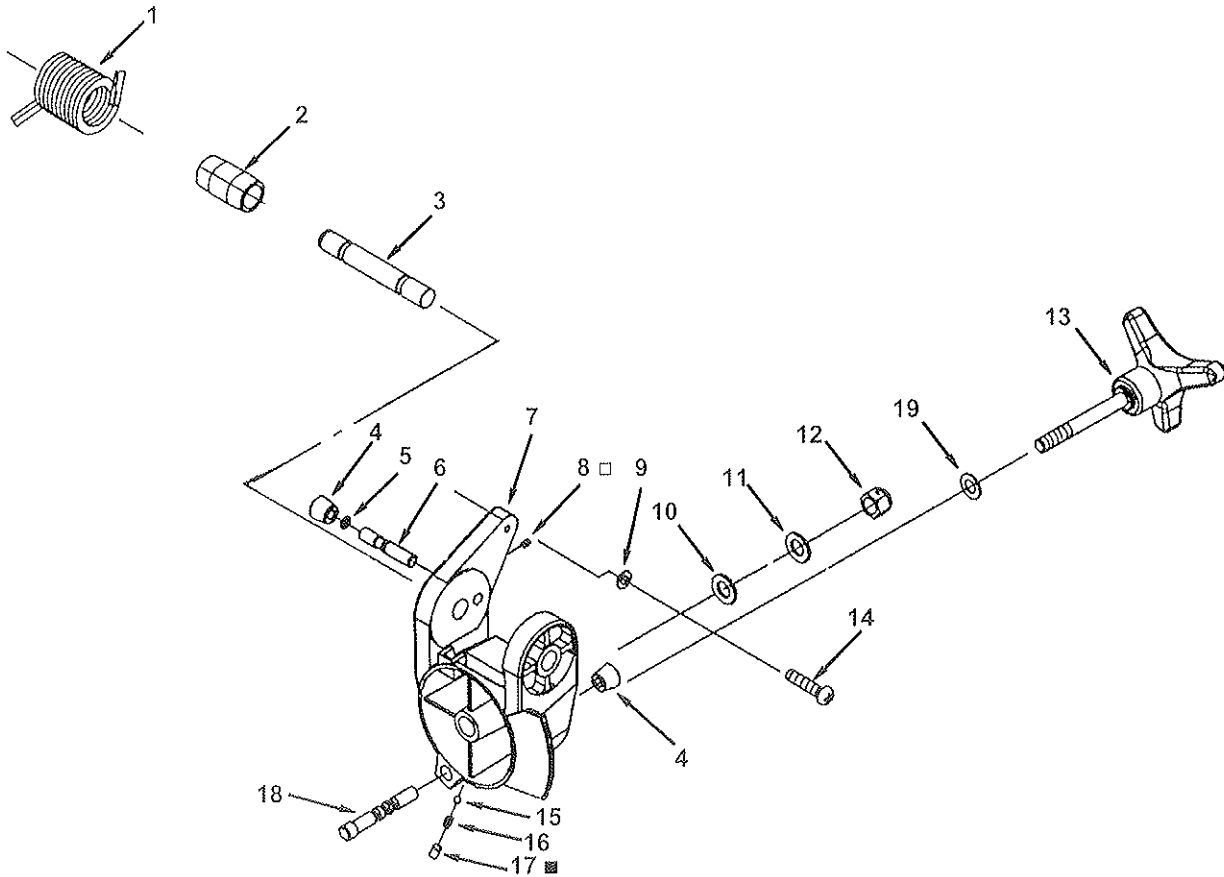
WARNING: For your safety, this miter saw is specially insulated. To reduce the risk of electrical shock, fire or injury, use only parts identical to those identified in the parts list. Reassemble exactly as originally assembled.

Repair Parts

Parts List For RIDGID 12" Compound Miter Saw Model No. MS12500

RIDGID parts are available on-line at www.ridgidparts.com

Figure 4 - Pivot Assembly



Always order by Part Number - Not by Key Number

| Key No. | Part No. | Description |
|---------|----------|---------------------------|
| 1 | 828066 | ‡Spring Torsion |
| 2 | 823320 | Spacer Torsion Spring |
| 3 | 823345 | Shaft Arm Pivot |
| 4 | 828034 | Cap Rubber |
| 5 | 821421-2 | Ring "O" |
| 6 | 828035 | Pin Locking |
| 7 | 828107 | Pivot |
| 8 | 828120 | Screw Set Lock M4 x 0.7-5 |
| 9 | 821063-1 | *Washer 8 x 16 x 0.5 |

| Key No. | Part No. | Description |
|---------|----------|----------------------------|
| 10 | 828117 | Washer 12.2 x 22 x 2 |
| 11 | 819179 | Washer Spring 12.7 x 0.3 |
| 12 | 818656 | Nut Lock M12 x 1.75 |
| 13 | 827488 | Knob Bevel |
| 14 | 821875-3 | Screw Shoulder 7.5 x 4 |
| 15 | 823742-2 | Ball 5mm |
| 16 | 828039 | Spring |
| 17 | 828040 | Screw Set Lock M6 x 0.7-10 |
| 18 | 828041 | Pin Bevel Index |
| 19 | 823400 | * Washer 10 x 19 x 2 |

* Standard hardware item - May be purchased locally.

■ To remove this item use a 3mm hex "L" wrench.

□ To remove this item use a 2mm hex "L" wrench.

‡ CAUTION: See mechanical assembly caution on page 31.