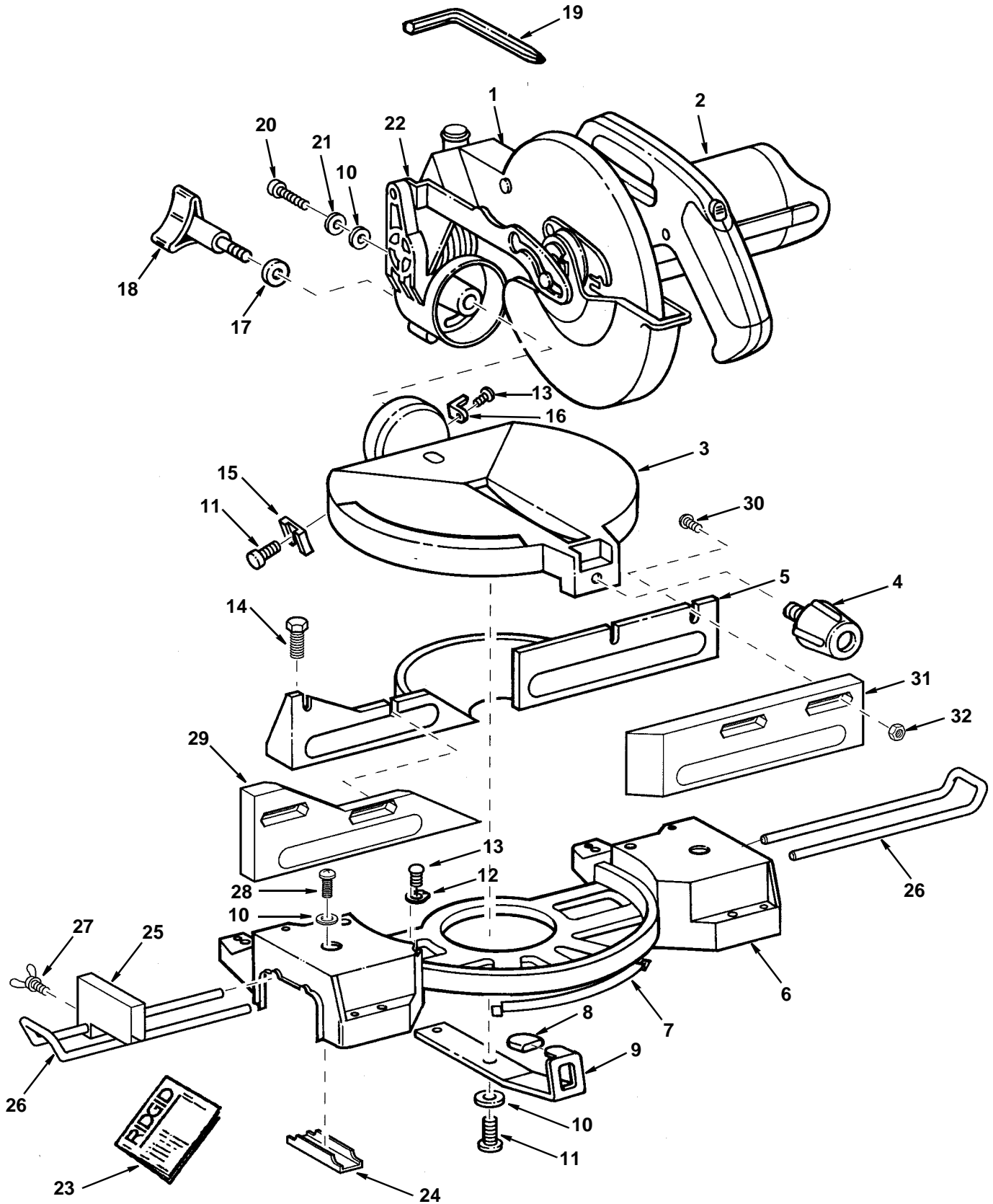


Repair Parts

Parts List for RIDGID 10" Compound Miter Saw Model No. MS10501 RIDGID parts are available on-line at www.ridgidparts.com Figure 1



Repair Parts

Parts List for RIDGID 10" Compound Miter Saw Model No. MS10501

RIDGID parts are available on-line at www.ridgidparts.com

Figure 1

Always order by Part Number - Not by Key Number

Key No.	Part No.	Description
1	See Fig. 4	Blade Guard Assembly
2	See Fig. 2	Motor Assembly
3	826213	Table
4	826055-1	▲ Knob
5	826078	Fence
6	826073-1	Base
7	827588	Shim Table
8	826163	Cap Grip
9	823297-1	Spring Index
10	805553-4	▲ Washer 21/64 x 9/16 x 1/16
11	9421621	▲ Scr Soc Cap 5/16-18 x 5/8
12	826057	Pointer
13	*	Screw Pan Hd. Type "T" 8-32 x 5/16
14	*	Screw Hex Type "T" 5/16-18 x 1
15	823326	Stop Bevel
16	826068	Indicator Bevel

Key No.	Part No.	Description
17	*	Washer 3/8 x 7/8 x 5/64
18	827597	Knob Bevel
19	823314	Wrench Combination
20	*	Screw Hex Type "T" 5/16-18 x 3/4
21	821421-6	O-Ring
22	See Fig. 3	Pivot Asm.
23	SP6236	Owners Manual
24	823612	Clamp Bracket
25	817793	Stop Block
26	817791	Arm Extension
27	*	Screw Wing 1/4-20 x 1/2
28	*	Screw Pan Hd. 5/16-18 x 1-1/4
29	826718	Fence Auxiliary Left
30	*	Screw Pan Hd. 1/4-20 x 3/4
31	826719	Fence Auxiliary Right
32	*	Nut Hex 1/4-20

* Standard hardware item - may be purchased locally.

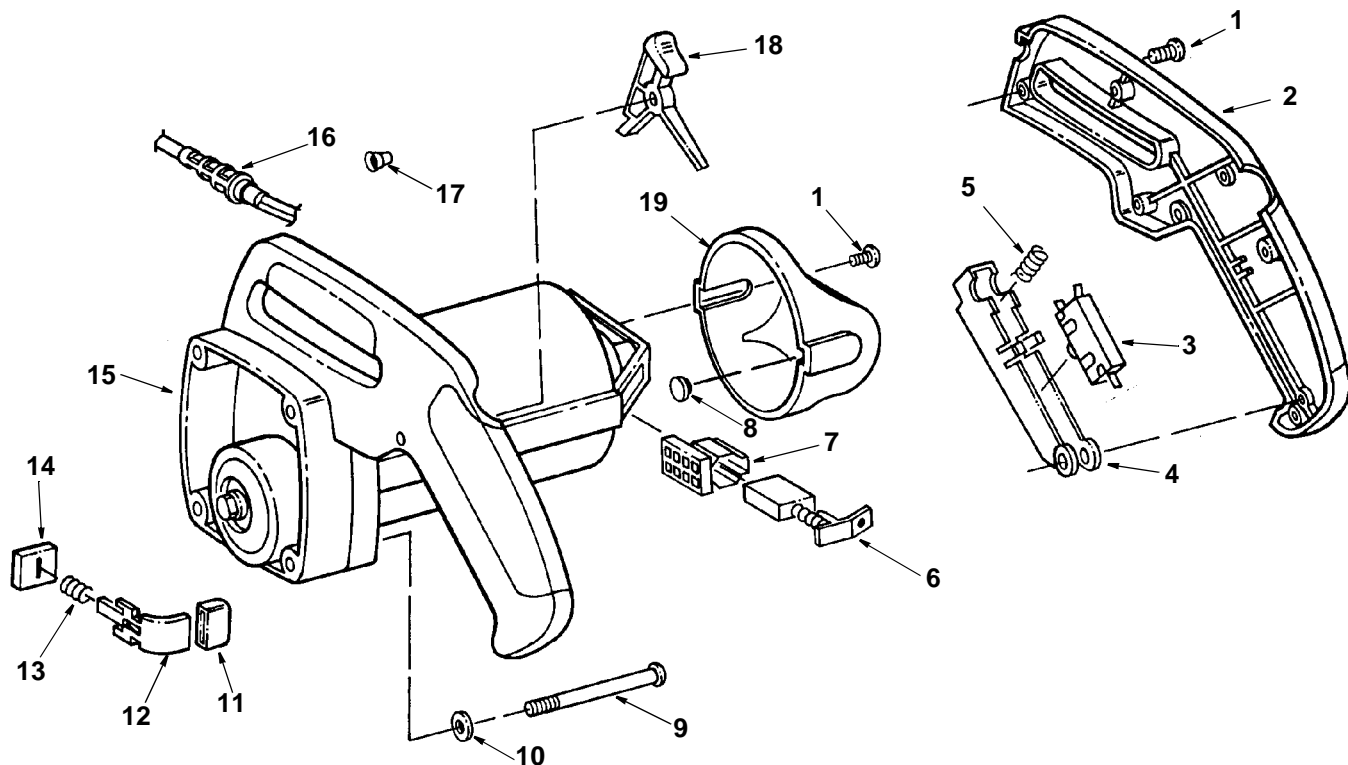
▲ WARNING: These items are important to the safety of this tool. Do not substitute common parts.

Repair Parts

Parts List For RIDGID 10" Compound Miter Saw Model No. MS10501

RIDGID parts are available on-line at www.ridgidparts.com

Figure 2 Motor Assembly



WARNING: For your safety, this miter saw is specially insulated. To reduce the risk of electrical shock, fire or injury, use only parts identical to those identified in the parts list. Reassemble exactly as originally assembled.

Always order by Part Number — Not by Key Number

Key No.	Part No.	Description
1	*	Screw Pan Cr #8 Plastite
2	826119	Handle Right Half
3	826066	▲• Switch SPDT
4	826012	Trigger
5	826053	▲ Spring Compression
6	826016	▲ Brush
7	826017	▲ Holder Brush
8	354653	Bumper
9	826453	Screw Pn. Hd. 10-32 x 2-1/4
10	*	Washer 13/64 x 3/8 x 1/32

Key No.	Part No.	Description
11	826163	Cap Grip
12	826062	Lock Arbor
13	823322	Spring Arbor Lock
14	823417	Seal
15	826488	▲ Motor
16	826040	▲• Cord w/Plug
17	803709-1	▲ Connector Wire
18	826120	▲ Button Lock
19	826064	Cap Motor Housing

* Standard hardware - may be purchased locally

▲ WARNING: These items are important to the safety of this tool. Do not substitute common parts.

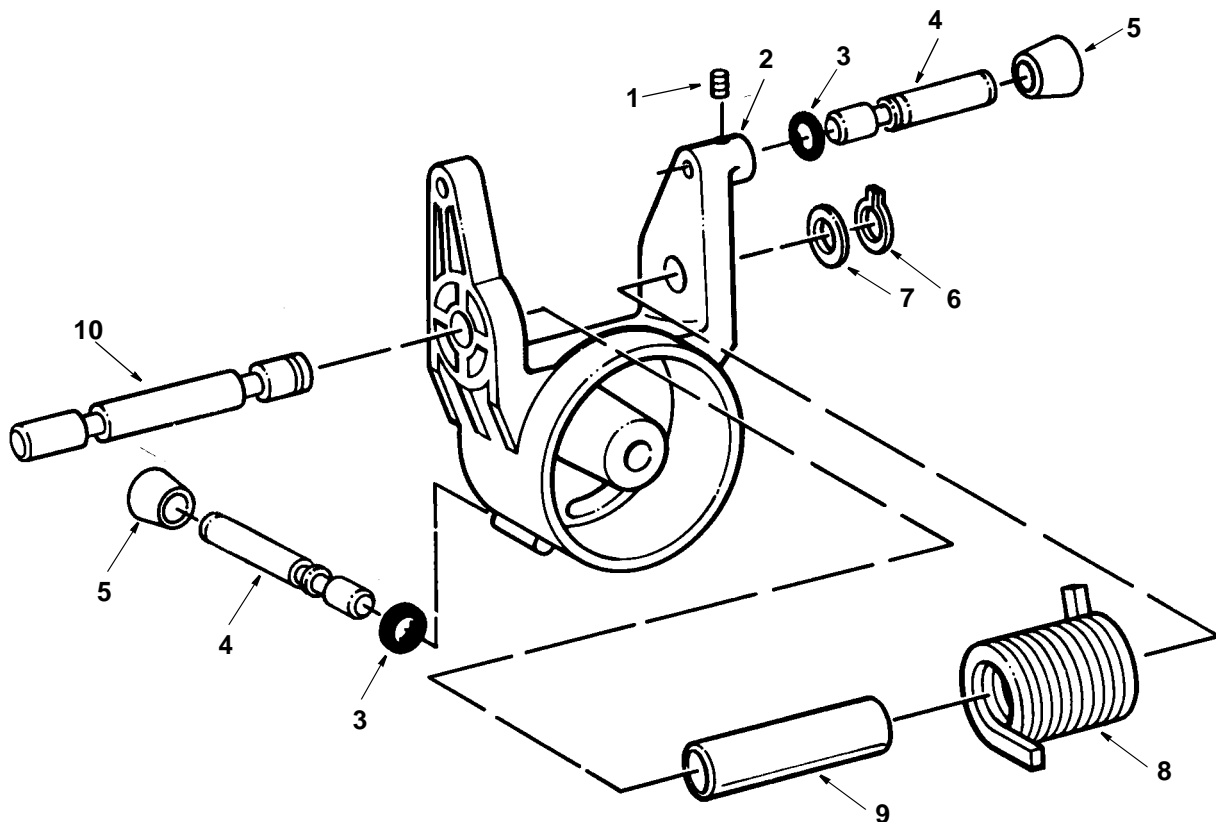
• WARNING: Any attempt to repair or replace electrical parts on this unit may create a hazard unless repair is done by a qualified service technician. Repair service is available from authorized RIDGID Service Center.

Repair Parts

Parts List For RIDGID 10" Compound Miter Saw Model No. MS10501

RIDGID parts are available on-line at www.ridgidparts.com

Figure 3 - Pivot Assembly



Always order by Part Number — Not by Key Number

Key No.	Part No.	Description
1	803309-2	Screw Set Hex Soc. Locking 10-32 x 3/8
2	826096	Pivot
3	821421-2	O-Ring
4	826058	Shaft Stop
5	826357	Knob
6	805606	Ring Retaining
7	803899-5	Washer Thrust
8	823328	▲ • ‡ Spring Torsion
9	823298-1	Spacer Spring
10	823301	Shaft Pivot

* Standard hardware - may be purchased locally

▲ WARNING: These items are important to the safety of this tool. Do not substitute common parts.

‡ CAUTION: See mechanical assembly caution on page 31.

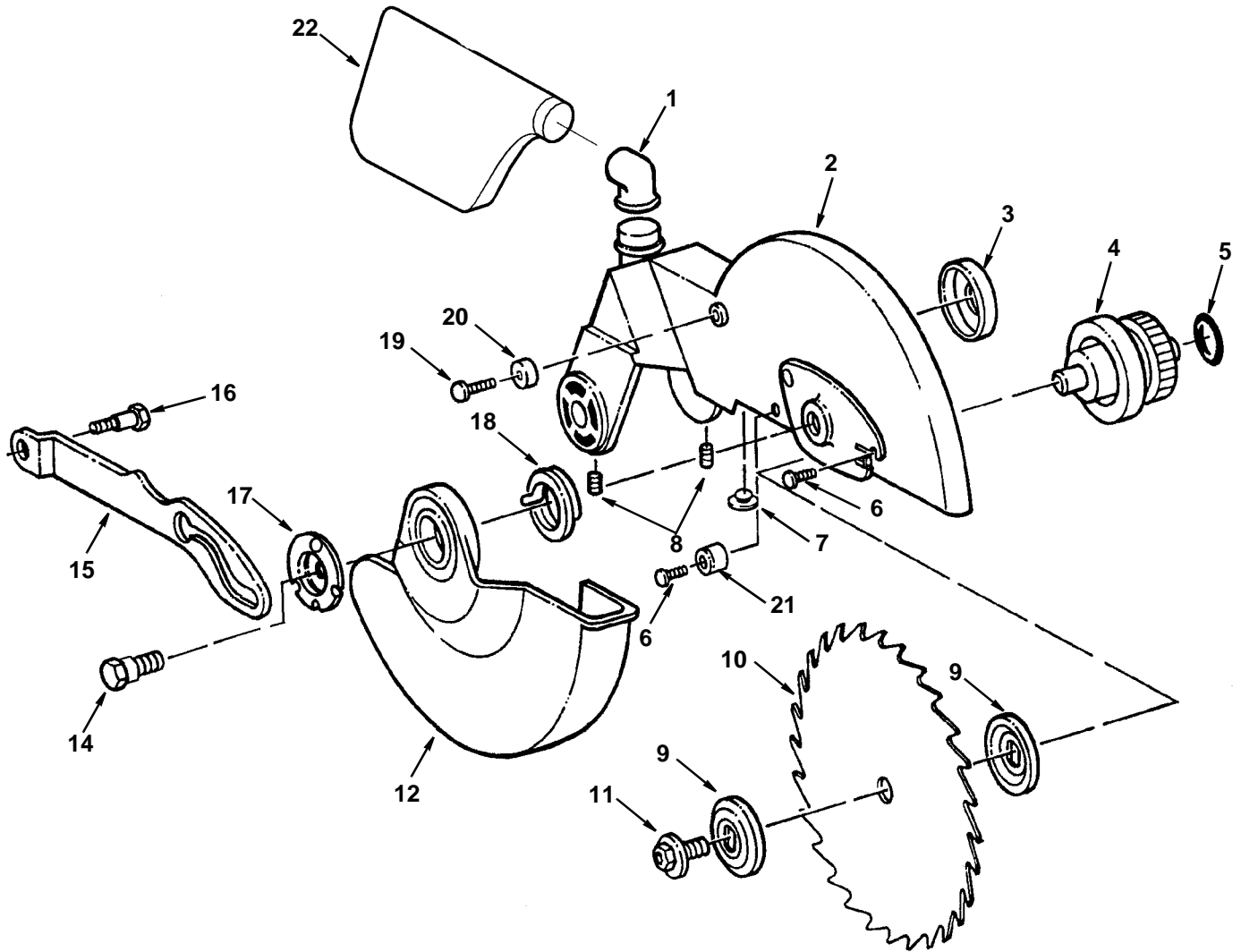
• WARNING: Uncontrolled spring release or misinstallation of these parts may create a hazard unless repair is done by a qualified service technician. Repair service is available from authorized RIDGID Service Center.

Repair Parts

Parts List For RIDGID 10" Compound Miter Saw Model No. MS10501

RIDGID parts are available on-line at www.ridgidparts.com

Figure 4



Repair Parts

Parts List For RIDGID 10" Compound Miter Saw Model No. MS10501

RIDGID parts are available on-line at www.ridgidparts.com

Figure 4

Always order by Part Number — Not by Key Number

Key No.	Part No.	Description	Key No.	Part No.	Description
1	820536	Dust Elbow	12	826039	‡ Guard Lower
2	826487	Arm/Guard	13		
3	823300-1	Washer Cup	14	821521-2	▲ Screw Shoulder
4	823316	Arbor	15	826026	Link Actuator
5	821421-3	Ring "O"	16	821521-1	▲ Screw Shoulder
6	*	Screw Pan Cr Ty "T" 10-32 x 5/8	17	823840-2	Retainer Guard
7	826031	Bumper Guard	18	823292	•‡ Spring Guard
8	826481	Screw Lock Set 1/4-20 x 3/8	19	821521	Screw Shoulder
9	823303	▲ Collar Blade	20	823306-1	Bearing Cam
10	827413	Blade Saw Carbide	21	826720	Bumper
11	823304	Screw Blade	22	816811	Bag Dust

* Standard hardware - may be purchased locally

▲ WARNING: These items are important to the safety of this tool. Do not substitute common parts.

‡ CAUTION: See mechanical assembly caution below.

- **WARNING: Uncontrolled spring release or misinstallation of these parts may create a hazard unless repair is done by a qualified service technician. Repair service is available from authorized RIDGID Service Center.**

CAUTION: Mechanical Assembly, to qualified service technician.

1. Wear approved eye protection when working with coil spring including spring, arbor lock 823322.
2. Incorrect reassembly of torsion spring 823328 can cause an unsafe condition because cutting head fails to rise fully to stop, or because spring fails through over-stress.
3. Improper reassembly of mechanisms controlling movement of lower guard 826039 can cause an unsafe condition because guard fails to operate freely as cutting head is moved up and down.