

. - 2 610 003 611 - MRP01

www.powertools-aftersaleservice.com

**BOSCH**

Item	Part Number	Description	Illustration	Price	Quantity	Price Group
2	2 610 003 479	Warning Label		1	-,-	1 -
3	2 610 004 382	Warning Label		1	-,-	1 -
5	2 610 003 067	Set screw		1	-,-	1 10
7	2 610 956 312	Base Plate		1	-,-	1 29
8	2 610 917 210	Screw		1	-,-	3 10
10	2 610 001 597	Spring		1	-,-	1 17
11	2 610 001 598	Guide		1	-,-	2 12
12	2 610 001 599	Retaining snap ring		1	-,-	1 10
14	2 610 001 600	Spring		1	-,-	1 17
18	2 610 001 602	Washer		1	-,-	2 10
19	2 600 590 006	Ratchet Cap		1	-,-	1 11
20	2 610 957 846	Locking Piece		1	-,-	1 24
21	2 610 957 844	Cover		1	-,-	1 11
22	2 610 959 394	Lock Bolt		1	-,-	1 16
23	2 610 001 604	Spring		1	-,-	1 13
25	2 910 641 122	Oval-Head Screw DIN 7985-M4X12-4.8-H		1	-,-	2 13
26	2 916 680 005	Spring Lock Washer B 4 DIN 127		1	-,-	2 10
27	2 610 957 845	Stud		1	-,-	1 20
28	2 610 957 840	Cover		1	-,-	1 12
29	2 610 957 841	Cover		1	-,-	1 15
30	2 610 002 911	Screw		1	-,-	7 10
31	3 600 100 527	Washer		1	-,-	2 14
32	2 610 006 391	Washer		1	-,-	1 10
34	2 610 957 812	Handle		1	-,-	1 19
35	2 610 001 605	Handle		1	-,-	1 18
36	2 610 996 143	Screw		1	-,-	2 11
37	2 610 913 441	Screw		1	-,-	4 10
38	2 610 957 811	Handle		1	-,-	1 20
39	2 610 001 607	Handle		1	-,-	1 17
40	2 610 001 608	Mains switch		1	-,-	1 19
41	2 610 001 609	Terminal Plate		1	-,-	1 28
42	2 610 003 210	Trigger		1	-,-	1 15
43	2 610 956 413	Rod		1	-,-	1 14

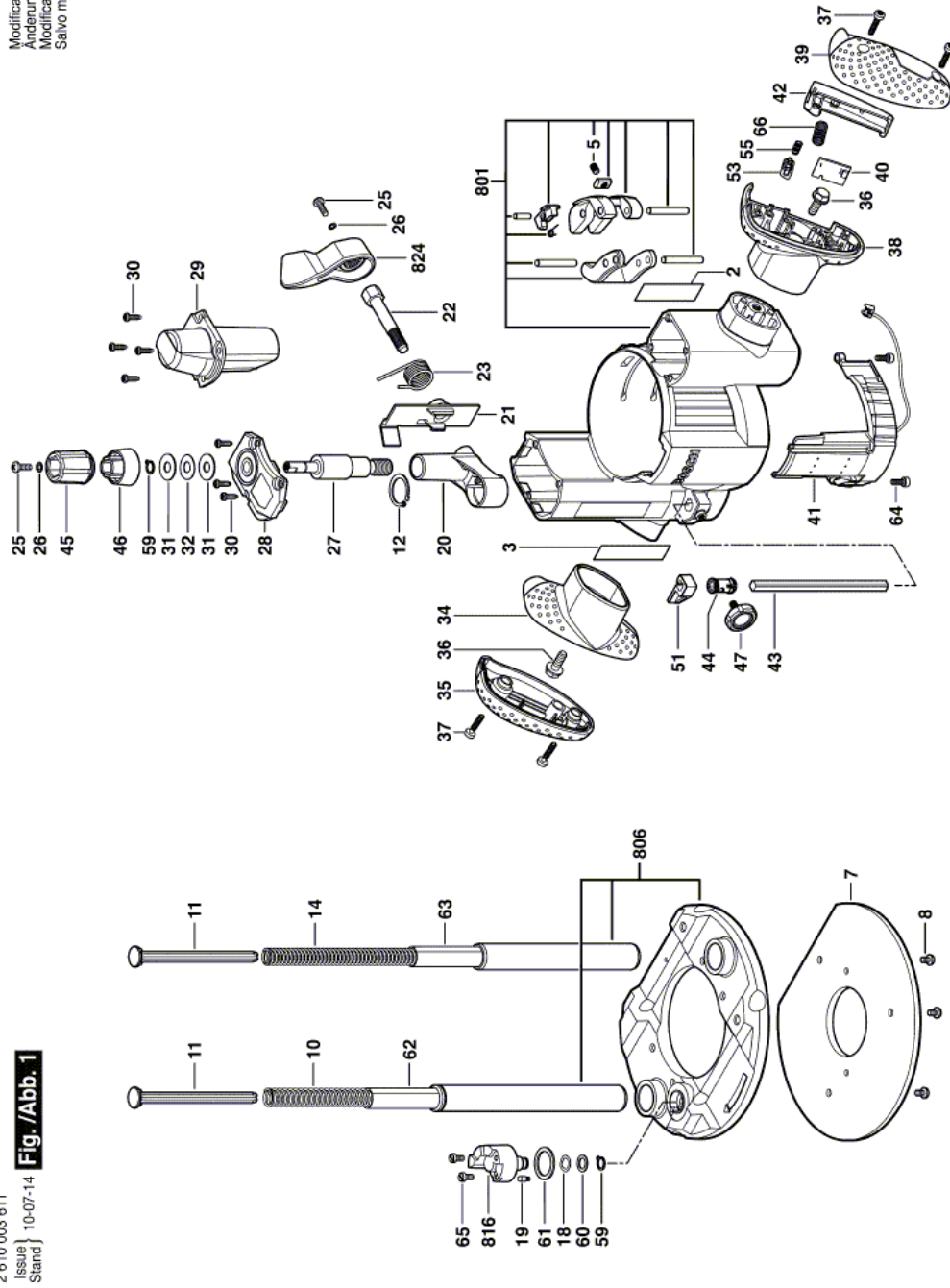
Item	Part Number	Description	Illustration	Price	Quantity	Price Group
44	2 610 956 414	Sleeve	1	-,-	1	10
45	2 610 957 843	Knob	1	-,-	1	11
46	2 610 957 842	Indicator Ring	1	-,-	1	11
47	2 610 956 415	Screw	1	-,-	1	10
51	2 610 956 416	Indicator	1	-,-	1	10
53	2 610 000 606	Button	1	-,-	1	10
55	2 610 001 606	Spring	1	-,-	1	10
59	2 610 003 062	Retaining snap ring	1	-,-	2	10
60	2 610 003 063	Washer	1	-,-	1	10
61	2 610 003 064	Washer	1	-,-	1	10
62	2 610 004 460	Pipe	1	-,-	1	12
63	2 610 008 283	Pipe	1	-,-	1	12
64	2 610 005 997	Screw	1	-,-	1	10
65	2 610 005 516	Screw	1	-,-	1	10
66	2 610 004 411	Spring	1	-,-	1	10
801	2 610 003 969	Motor Carrier	1	-,-	1	46
806	2 610 003 970	Base	1	-,-	1	40
816	2 610 003 971	Depth-Gauge	1	-,-	1	22
824	2 610 003 973	Lever	1	-,-	1	15

Product information . - 2 610 003 611 - MRP01

Product No	2 610 003 611
Description	0; .
DIN-Text	
ID_Text_Ext	0
Trading_Description	MRP01
Voltage_1	120 V
ID_Country_Product	USA

Illustration - Type E

Modifications reserved
Änderungen vorbehalten
Modificaciones reservadas
Salvo modificaciones



2 610 003 611
Issue
Stand } 10-07-14 **Fig. /Abb. 1**

Information subject to change without further notice.