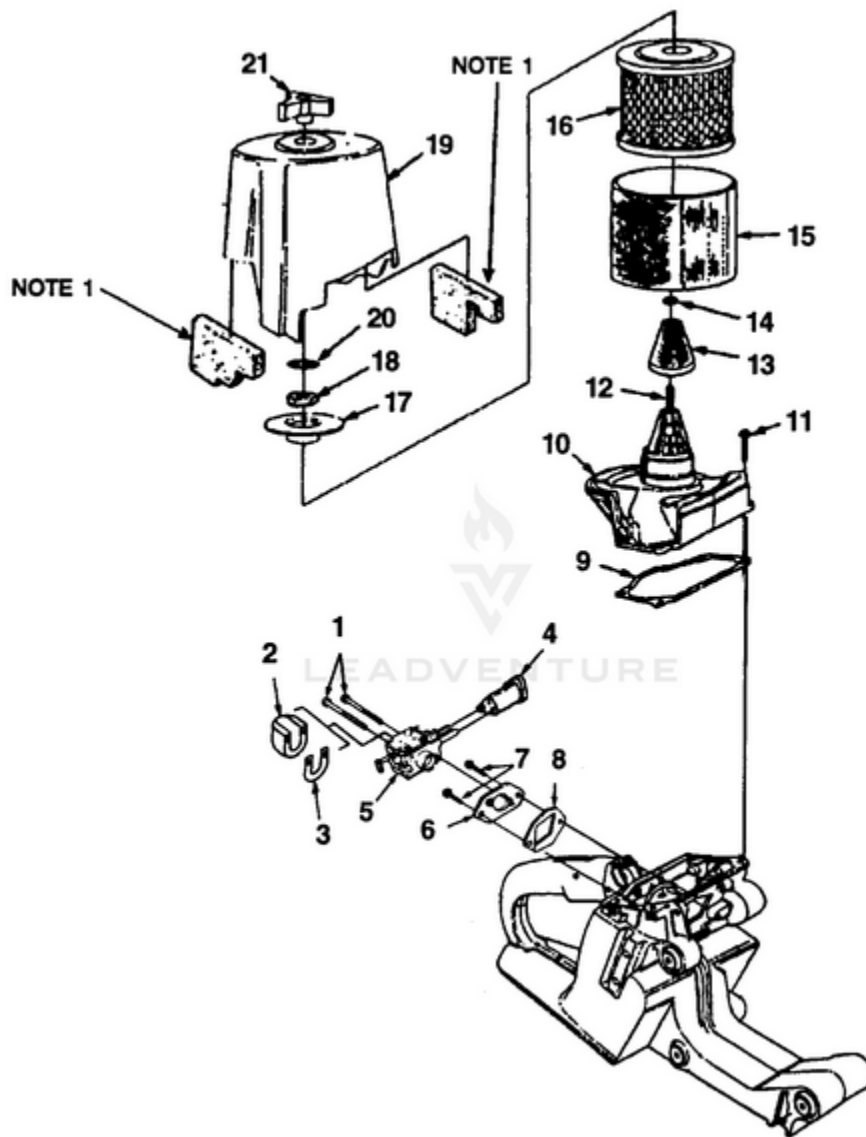


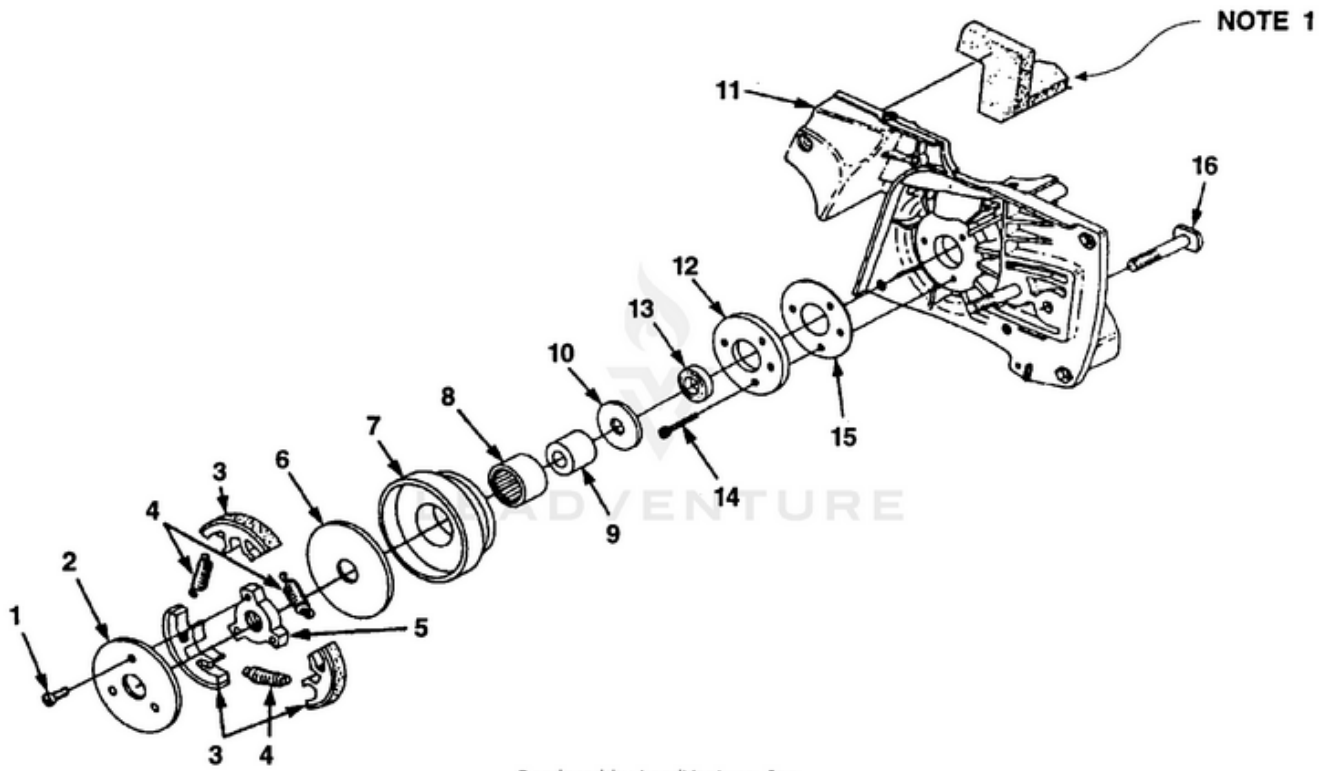
MP88 w/14" Multi Purpose Saw UT-05074-A 05074-A-UT MP88 w/14" Multi Purpose Saw UT-05074-A  
MP88 w/14" Multi Purpose Saw - Carburetor - Air Cleaner



Rendered by LeadVenture, Inc.

| <b>Ref #</b> | <b>Part #</b> | <b>Description</b>                | <b>Qty</b> |
|--------------|---------------|-----------------------------------|------------|
| 1            | 82527         | SCREW - Hex Cap (10-14 X 2")      | 2          |
| 2            | 496732        | SHIELD - Carburetor               | 1          |
| 3            | 49671         | GASKET - Carburetor Shield        | 1          |
| 4            | PS00100       | GROMMET                           | 2          |
| 5            | PA00037       | CARBURETOR                        | 1          |
| 6            | 972902A       | ADAPTER - Carburetor              | 1          |
| 7            | 96620         | SCREW - Torx Truss (10-24 X 1/2") | 2          |
| 8            | PS97291       | GASKET - Carburetor               | 1          |
| 9            | PS97298       | GASKET - Carb Chamber             | 1          |
| 10           | 49509A        | COVER - Carb Chamber              | 1          |
| 11           | 80582         | SCREW - Pan Hd (8-32 X 5/8")      | 4          |
| 12           | 49511A        | BOLT                              | 1          |
| 13           | 49555         | FILTER - Air                      | 1          |
| 14           | 94150         | "O" Ring                          | 2          |
| 15           | 49513         | FELT PREFILTER                    | 1          |
| 16           | 49512         | ELEMENT - Air Filter              | 1          |
| 17           | 498981        | AIR FILTER ELEMENT COVER          | 1          |
| 18           | 81162         | NUT Hex (5/16-18)                 | 1          |
| 19           | A49514A       | FILTER COVER                      | 1          |
| 20           | 06365         | KNOB                              | 1          |
| 21           | 46072         | RETAINING RING                    | 1          |
| Note1        | A03611A       | Foam Kit                          |            |

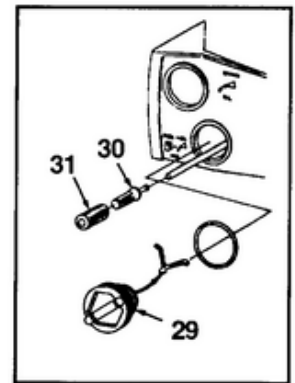
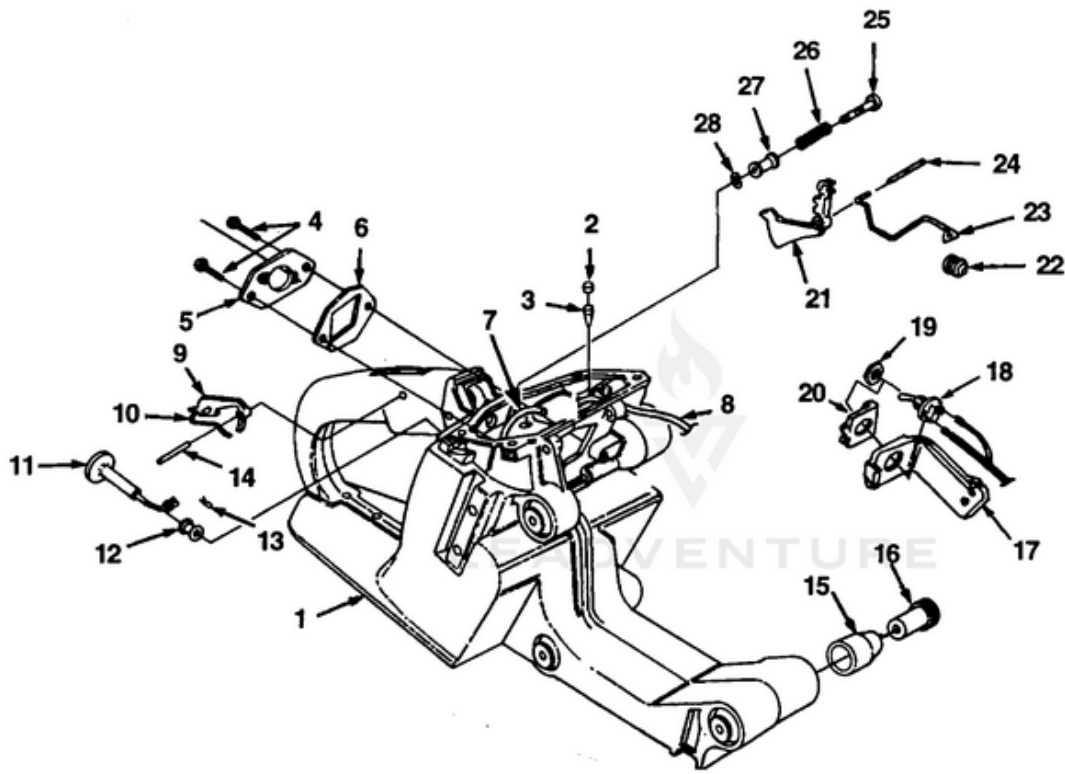
MP88 w/14" Multi Purpose Saw UT-05074-A 05074-A-UT MP88 w/14" Multi Purpose Saw UT-05074-A MP88 w/14"  
Multi Purpose Saw - Clutch - Crankcase



Rendered by LeadVenture, Inc.

| <b>Ref #</b> | <b>Part #</b> | <b>Description</b>                 | <b>Qty</b> |
|--------------|---------------|------------------------------------|------------|
| 1            | 88041         | SCREW - Hex Sems (8-32 X 3/4")     | 3          |
| 2            | 93628         | CLUTCH COVER                       | 1          |
| 3            | A93632B       | CLUTCH SHOE                        | 3          |
| 4            | 93638A        | CLUTCH SPRING                      | 3          |
| 5            | 93639         | CLUTCH SPIDER                      | 1          |
| 6            | 93650         | WASHER - Thrust                    | 1          |
| 7            | A49543        | PULLEY & DRUM                      | 1          |
| 8            | 46071         | NEEDLE BEARING                     | 1          |
| 9            | 46070         | RACE - Inner                       | 1          |
| 10           | 46135         | WASHER - Thrust                    | 1          |
| 11           | A08391        | CRANKCASE ASSY<br>(COMPLETE)       | 1          |
| 12           | A49537A       | RETAINING - Bearing                | 1          |
| 13           | 12306         | SEAL                               | 1          |
| 14           | 82293         | SCREW - Socket Cap (10-24 X 5/8")  | 3          |
| 15           | 00191D        | GASKET                             | 1          |
| 16           | 82595         | WHEEL ARM BOLT<br>(5-16-18 X 2.5") | 2          |
|              | 81208         | NUT - Hex Lock (10-24)             | 4          |
|              | 12689A        | RETAINER - Nut                     | 2          |
|              | 58308B        | SEAL - Shaft                       | 1          |
| Note1        | A03611A       | Foam Kit                           |            |

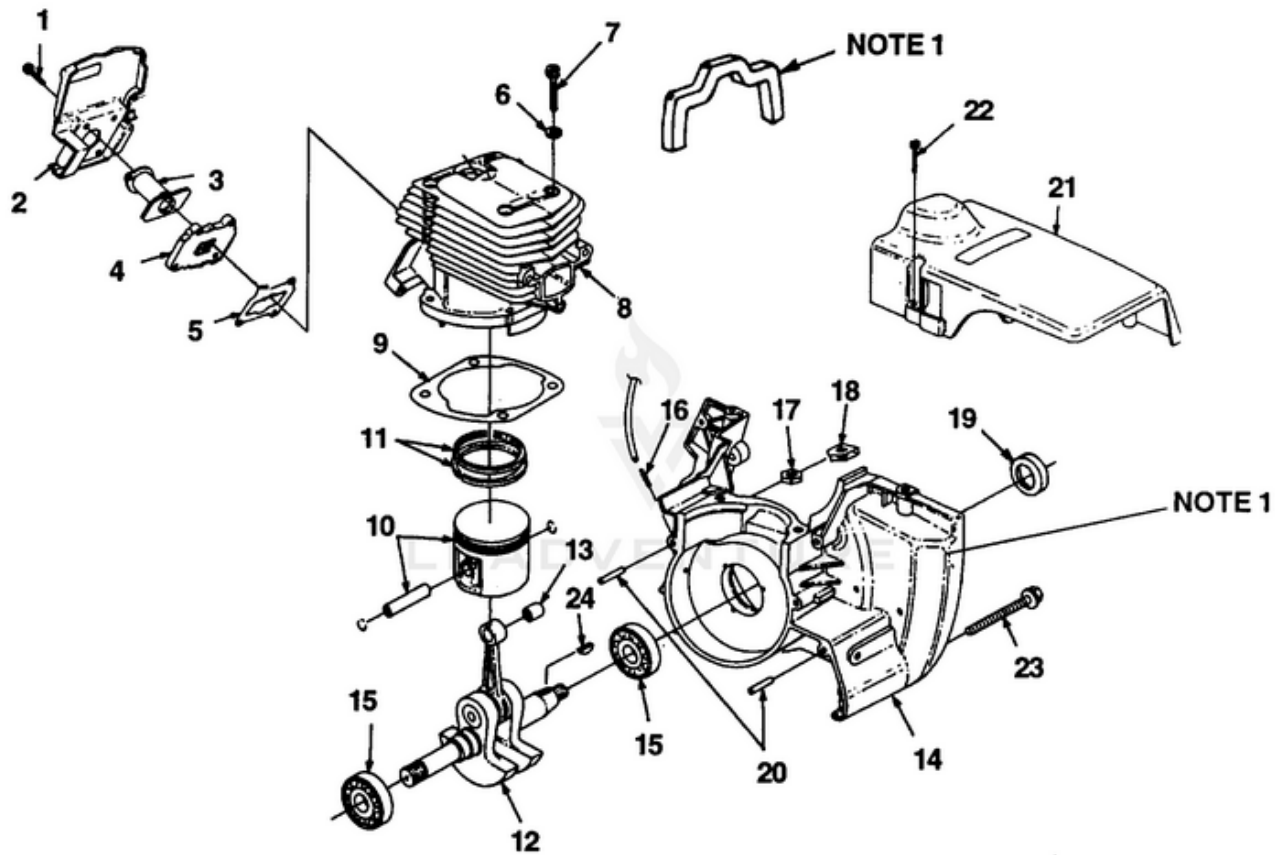
MP88 w/14" Multi Purpose Saw UT-05074-A 05074-A-UT MP88 w/14" Multi Purpose Saw UT-05074-A MP88 w/14"  
Multi Purpose Saw - Engine Housing



Rendered by LeadVenture, Inc.

| <b>Ref #</b> | <b>Part #</b> | <b>Description</b>                   | <b>Qty</b> |
|--------------|---------------|--------------------------------------|------------|
| 1            | A49770A       | HOUSING - Engine                     | 1          |
| 2            | 93410A        | TANK VENT FILTER                     | 2          |
| 3            | 96841         | VALVE - Duck Bill                    | 1          |
| 4            | 96620         | SCREW - Torx Truss (10-24 X 1/2")    | 2          |
| 5            | 972902A       | ADAPTOR - Carburetor                 | 1          |
| 6            | PS97291       | GASKET - Carburetor                  | 1          |
| 7            | 9311237       | TUBING - Rubber (Fuel Line, 9 1/2")  | 1          |
| 8            | 9315723       | TUBING - Rubber (Pulse Line, 6 1/2") | 1          |
| 9            | 93385A        | TRIGGER - Lock                       | 1          |
| 10           | PS97265       | SPRING - Flat                        | 1          |
| 11           | 972921        | ROD - Choke                          | 1          |
| 12           | 64862         | GROMMET                              | 1          |
| 13           | 86324         | PIN - Cotter                         | 1          |
| 14           | 68548         | PIN - Trigger                        | 1          |
| 15           | 973052        | ISOLATOR - Vibration                 | 6          |
| 16           | PS97262       | SLEEVE - Flanged                     | 6          |
| 17           | PS97306A      | COVER, Switch                        | 1          |
| 18           | A57650A       | SWITCH - Toggle                      | 1          |
| 19           | 72084A1       | NUT - Hex                            | 1          |
| 20           | 12793         | PLATE - Indicating                   | 1          |
| 21           | 93842         | TRIGGER - Throttle                   | 1          |
| 22           | 69889         | BOOT - Throttle Rod                  | 1          |
| 23           | 97294A        | ROD - Throttle                       | 1          |
| 24           | 68548         | PIN - Trigger                        | 1          |
| 25           | 95671         | PIN - Throttle Lock                  | 1          |
| 26           | 95020         | SPRING - Compression                 | 1          |
| 27           | 95989         | BUSHING - Flanged                    | 1          |
| 28           | 58409         | RING - Retaining                     | 1          |
| 29           | A03131        | FUEL CAP                             | 1          |
| 30           | A97700        | USE UP06516                          | 1          |
| 31           | 592531A       | FILTER ELEMENT                       | 1          |

MP88 w/14" Multi Purpose Saw UT-05074-A 05074-A-UT MP88 w/14" Multi Purpose Saw UT-05074-A MP88 w/14"  
Multi Purpose Saw - Engine Internal

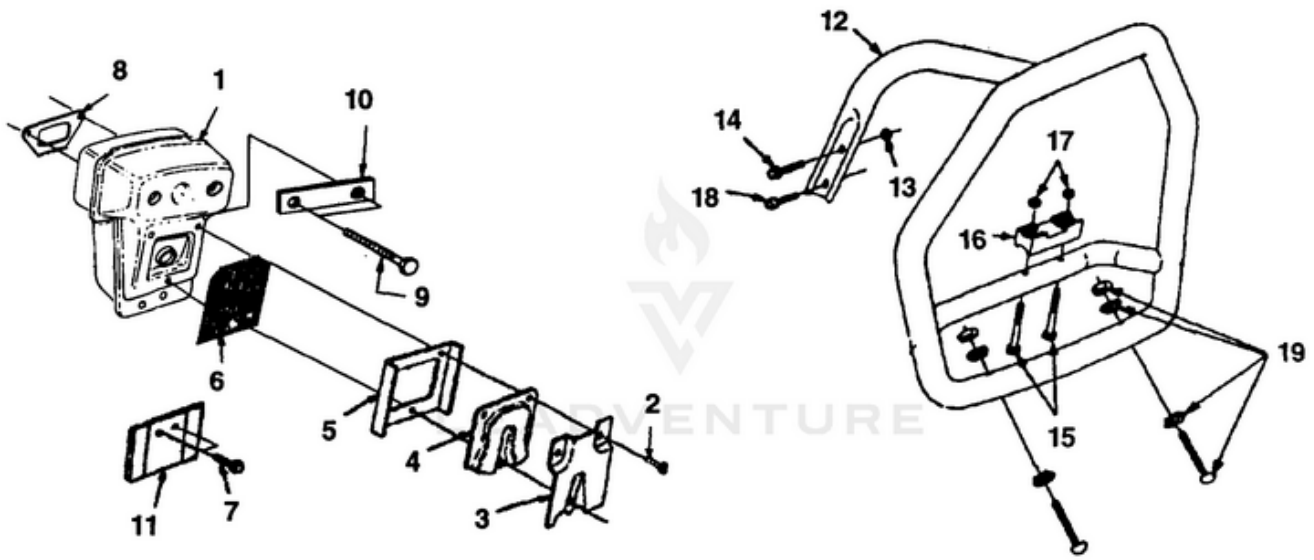


Rendered by LeadVenture, Inc.

| <b>Ref #</b> | <b>Part #</b> | <b>Description</b>                    | <b>Qty</b> |
|--------------|---------------|---------------------------------------|------------|
| 1            | 82246         | SCREW - Mach. Hex Hd.<br>(10-24 X 1") | 4          |
| 2            | 973381A       | BAFFLE - Cylinder                     | 1          |
| 3            | 972632        | BOOT - Intake                         | 1          |
| 4            | 02822         | ADAPTER - Intake                      | 1          |
| 5            | 04635         | GASKET - Intake                       | 1          |
| 6            | 12021         | WASHER - Conical (#10)                | 4          |
| 7            | 82246         | SCREW - Cap Socket (10-24<br>X 1")    | 4          |
| 8            | A02830A       | CYLINDER & PISTON<br>(Matched)        | 1          |
| 9            | PS97316       | GASKET - CYLINDER                     | 1          |
| 10           | A028241B      | PISTON & PIN ASSY.                    | 1          |
| 11           | 02825         | PISTON RING                           | 2          |
| 12           | A03737        | CRANKSHAFT & ROD                      | 1          |
| 13           | 93519         | BEARING - Needle                      | 1          |
| 14           | A08391        | CRANKCASE ASSY.                       | 1          |
| 15           | 94621A        | BEARING - Ball                        | 2          |
| 16           | 69833         | FITTING - Tube                        | 1          |
| 17           | 81208         | NUT - Lock Hex (10-24)                | 2          |
| 18           | 12689A        | NUT - Retainer                        | 2          |
| 19           | 58308B        | SEAL - Shaft                          | 1          |
| 20           | PS31062       | PIN - Dowel                           | 1          |
| 21           | A02121        | COVER - CYLINDER                      | 1          |
| 22           | 93397A        | SCREW - CYLINDER<br>COVER             | 3          |
| 23           | 88057         | SCREW - Hex Sems (10-24 X<br>2")      | 5          |
| 24           | 75078         | KEY - Woodruff                        | 1          |
| Note1        | A03611A       | Foam Kit                              |            |



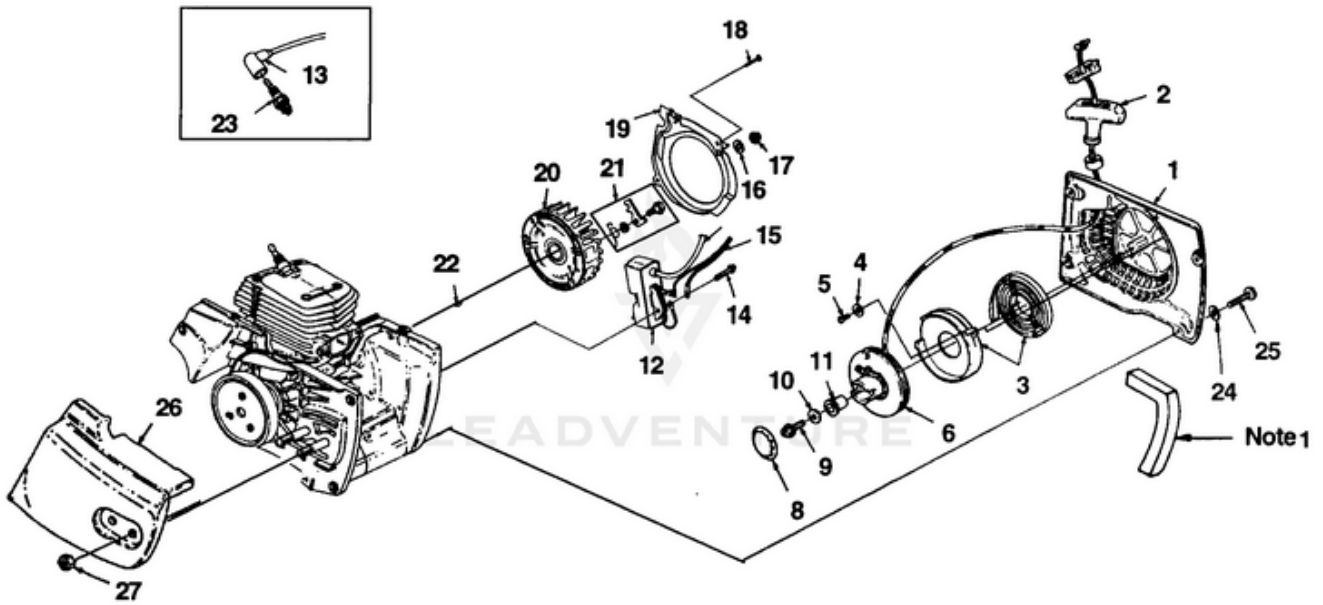
MP88 w/14" Multi Purpose Saw UT-05074-A 05074-A-UT MP88 w/14" Multi Purpose Saw UT-05074-A MP88 w/14"  
Multi Purpose Saw - Muffler - Handlebar



Rendered by LeadVenture, Inc.

| <b>Ref #</b> | <b>Part #</b> | <b>Description</b>                      | <b>Qty</b> |
|--------------|---------------|---|------------|
| 1            | A04430        | MUFFLER ASSY                            | 1          |
| 2            | 80983         | SCREW - Mach. Hex (8-32<br>X 1/2")      | 3          |
| 3            | A49545        | SHIELD - Muffler                        | 1          |
| 4            | 49525         | CAP - Muffler                           | 1          |
| 5            | 49548         | SUPPORT - Spark Arrestor                | 1          |
| 6            | 98827         | SCREEN - Spark Arrestor                 | 1          |
| 7            | 825551        | SCREW - Truss Hd. (10-24<br>X 3/4")     | 2          |
| 8            | 97682B        | GASKET - Muffler                        | 1          |
| 9            | 82592         | SCREW - Cap Hex Hd<br>(1/4-20 X 3 1/4") | 2          |
| 10           | 04423         | SHIELD - Muffler Cover                  | 1          |
| 11           | 04431A        | PLATE - Retaining                       | 1          |
| 12           | A495951       | HANDLE BAR                              | 1          |
| 13           | 81208         | NUT - Hex Lock (10-24)                  | 2          |
| 14           | 825551        | SCREW - Truss Hd. (10-24<br>X 3/4")     | 1          |
| 15           | 96212         | NUT - Locking (1/4-28")                 | 2          |
| 16           | 496222        | BRACKET - Handle Bar                    | 1          |
| 17           | 82532         | SCREW - Mach Oval Hd<br>(1/4-20 X 1/2") | 2          |
| 18           | 96620         | SCREW - Truss Torx (T25)                | 2          |
| 19           | A03633        | WEAR PAD KIT                            | 1          |

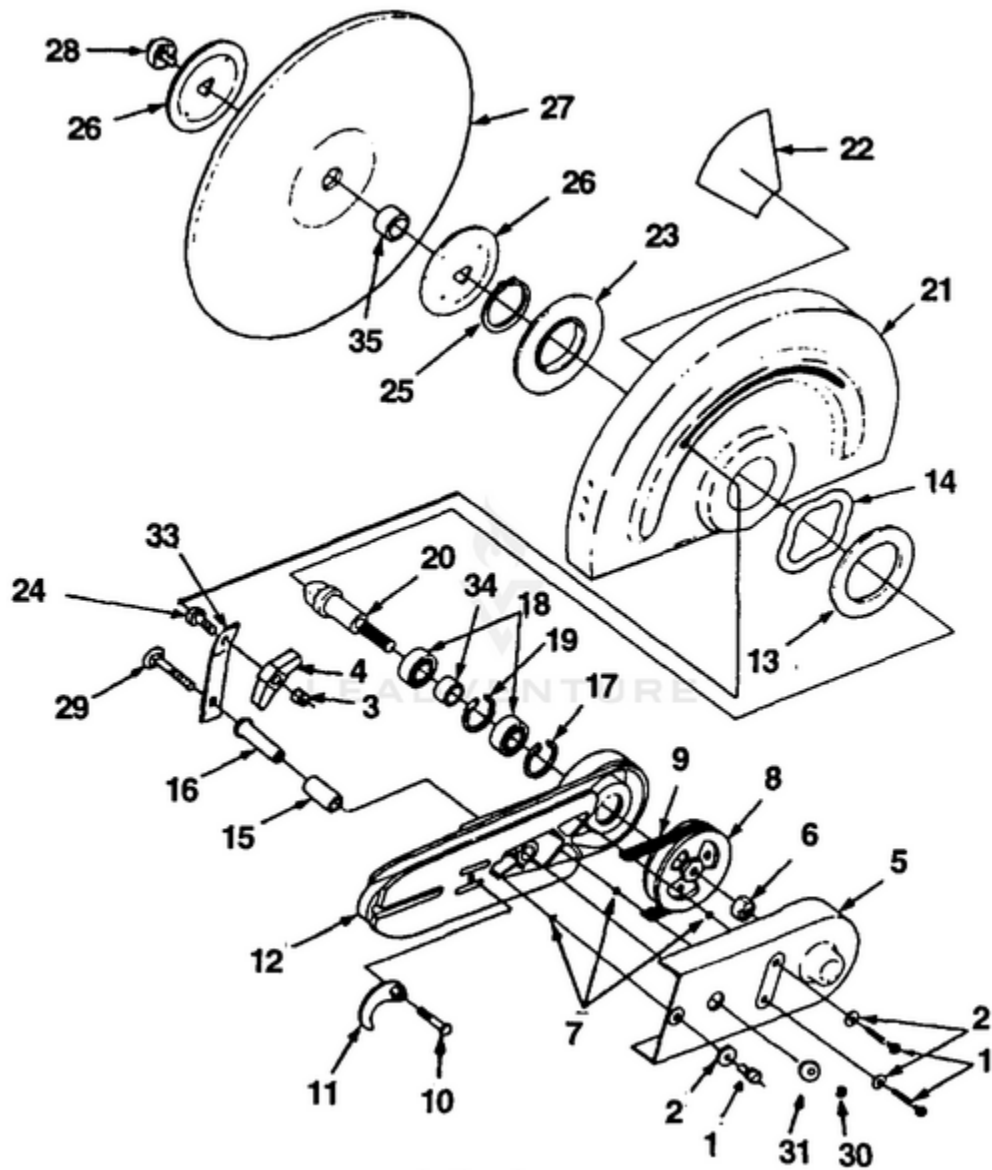
MP88 w/14" Multi Purpose Saw UT-05074-A 05074-A-UT MP88 w/14" Multi Purpose Saw UT-05074-A MP88 w/14" Multi Purpose Saw - Starter - Ignition



Rendered by LeadVenture, Inc.

| <b>Ref #</b> | <b>Part #</b> | <b>Description</b>              | <b>Qty</b> |
|--------------|---------------|---------------------------------|------------|
| 1            | A02292A       | STARTER COMPLETE                | 1          |
| 2            | A69962B       | GRIP - w/Insert                 | 1          |
| 3            | A98067A       | SPRING & RETAINER               | 1          |
| 4            | 84025         | WASHER - Flat (#8)              | 3          |
| 5            | 82528         | SCREW - Thread Form (6 X 3/8")  | 2          |
| 6            | A97990C       | PULLEY & ROPE                   | 1          |
| 7            | A00518        | ROPE                            | 1          |
| 8            | 02505         | SPRING - Grip                   | 1          |
| 9            | 82409         | SCREW - Plastite (10-14 X 5/8") | 1          |
| 10           | 58763         | WASHER - Retaining              | 1          |
| 11           | 97992A        | BUSHING - Starter Post          | 1          |
| 12           | A01827        | MODULE ASSY                     | 1          |
| 13           | A33055        | TERMINAL HIGH TENS(P TBO        | 1          |
| 14           | 82562         | SCREW - Hex Hd (10-24 X 7/8")   | 2          |
| 15           | A985831D      | LEAD - Ground w/ Grommet        | 1          |
| 16           | 95479A        | WASHER - Flat                   | 1          |
| 17           | 81255         | NUT - Lock Hex (3/8-24)         | 1          |
| 18           | 80582         | SCREW - Mach (8-32 X 5/8")      | 2          |
| 19           | 02133         | SCROLL - Air Guide              | 1          |
| 20           | A02085B       | ROTOR                           | 1          |
| 21           | A03610        | STARTER PAWL KIT                | 1          |
| 22           | 75078         | KEY - Woodruff                  | 1          |
| 23           | 98217S        | SPARK PLUG (RCJ6Y)              | 1          |
| 24           | 84003         | WASHER - Flat (#10)             | 4          |
| 25           | 82562         | SCREW - Pan Hd (10-24 X 5/8")   | 4          |
| 26           | 478695A       | COVER - Drivecase               | 1          |
| 27           | 810892        | NUT - (3/8-16 x 5/16")          | 2          |
| Note1        | A03611A       | Foam Kit                        |            |

MP88 w/14" Multi Purpose Saw UT-05074-A 05074-A-UT MP88 w/14" Multi Purpose Saw UT-05074-A  
MP88 w/14" Multi Purpose Saw - Wheel Arm



Rendered by LeadVenture, Inc.

| <b>Ref #</b> | <b>Part #</b> | <b>Description</b>                  | <b>Qty</b> |
|--------------|---------------|-------------------------------------|------------|
| 1            | 94143         | Screw-Slotted                       | 3          |
| 2            | 84026         | Washer-Flat (1/4")                  | 3          |
| 3            | 81162         | Nut-Hex (5/16-18)                   | 1          |
| 4            | GP113589      | Knob-Handle                         | 1          |
| 5            | 43966C        | Cover-Arm                           | 1          |
| 6            | 81245         | Nut-Hex Lock (1/2-13)               | 1          |
| 7            | 46462         | "O" Ring                            | 3          |
| 8            | A03233        | Pulley-Driven                       | 1          |
| 9            | 46068         | Belt-"V" Drive                      | 1          |
| 10           | 80087         | Screw-Hex Hd.<br>(5/16-18 X 1 1/2") | 1          |
| 11           | A49194        | USE UP03371                         | 1          |
| 12           | A49558        | NLA(NO LONGER<br>AVAILABLE)         | 1          |
| 13           | 47387         | Shim                                | 1          |
| 14           | 47388         | Spring-Wave                         | 1          |
| 15           | 49553A        | Tubing-Rubber                       | 1          |
| 16           | 49818         | Spacer-Guard<br>Adjusting           | 1          |
| 17           | PS31746       | Ring-Retaining                      | 1          |
| 18           | 63107         | Ball Bearing                        | 2          |
| 19           | 47207         | Retaining Ring                      | 1          |
| 20           | 019051        | Wheel Shaft                         | 1          |
| 21           | A01872B       | Wheel Guard (12"<br>only)           | 1          |
|              | A01873B       | Wheel Guard (14"<br>only)           | 1          |
| 22           | 48922A        | Caution Label                       | 1          |
| 23           | 46000         | Washer-Mounting (12"<br>only)       | 1          |
|              | 460001        | Washer-mounting (14"<br>only)       | 1          |
| 24           | 82519A        | Bolt-Step (5/16-18 X<br>1")         | 1          |
| 25           | 46065         | Ring-Retaining                      | 1          |
| 26           | 019091A       | Flange-Wheel                        | 1          |
| 27           |               | Wheel-Resinoid                      | 1          |
| 28           | A03412        | Bolt & Washer                       | 1          |
| 29           | 49815         | Bolt-Sq. Neck, Rnd.<br>Hd.          | 1          |
| 30           | 81162         | Nut-Hex (5/16-18)                   | 1          |
| 31           | 84027         | Washer-Flat                         | 1          |

| <b>Ref #</b> | <b>Part #</b> | <b>Description</b>          | <b>Qty</b> |
|--------------|---------------|-----------------------------|------------|
| 32           | 49553A        | Tubing-Rubber               | 1          |
| 33           | 028391        | Arm-Adjusting (12"<br>only) | 1          |
|              | 498171        | Arm-Adjusting (14"<br>only) | 1          |
| 34           | 46067         | Spacer-Bearing              | 1          |
| 35           | 01902         | Spacer (1" Dia.)            | 1          |
|              | 01903         | Spacer (22")                | 1          |
|              | 01907         | Spacer (20")                | 1          |

MP88 w/14" Multi Purpose Saw UT-05074-A 05074-A-UT MP88 w/14" Multi Purpose Saw UT-05074-A  
MP88 w/14" Multi Purpose Saw - Wheels

No  
Diagram  
Available  
  
LEADVENTURE  
Parts List  
Only

Rendered by Leadventure, Inc.



| <b>Ref #</b> | <b>Part #</b> | <b>Description</b>                       | <b>Qty</b> |
|--------------|---------------|--|------------|
|              | 64596C        | Masonry and Concrete 12" Abrasive Wheel  |            |
|              | 49559A        | Masonry and Concrete 14" Abrasive Wheel  |            |
|              | 64597C        | Metal 12" Abrasive Wheel                 |            |
|              | 49561A        | Metal 14" Abrasive Wheel                 |            |
|              | 68421B        | Ductile and Cast Iron 12" Abrasive Wheel |            |
|              | 03707A        | Asphalt 12" Abrasive Wheel               |            |
|              | 03696A        | Asphalt 14" Abrasive Wheel               |            |
|              | A49751A       | Premium Segmented Rim 12" Diamond Wheel  |            |
|              | A49572A       | Premium Segmented Rim 14" Diamond Wheel  |            |
|              | A49753A       | Premium Continuous Rim 12" Diamond Wheel |            |
|              | A04831A       | Premium Continuous Rim 14" Diamond Wheel |            |
|              | A06397        | Standard Segmented Rim 12" Diamond Wheel |            |
|              | A06398        | Standard Segmented Rim 14" Diamond Wheel |            |
|              | 08831         | Carbide, Junkyard Dog Saw Blade          |            |
|              | A49429D       | 12" Wheel Arm w/1" Arbor                 |            |
|              | A49550C       | 14" Wheel Arm w/1" Arbor                 |            |

MP88 w/14" Multi Purpose Saw UT-05074-A 05074-A-UT MP88 w/14" Multi Purpose Saw UT-05074-A  
MP88 w/14" Multi Purpose Saw - Accessories & Tools

No  
Diagram  
Available  
  
LEADVENTURE  
Parts List  
Only

Rendered by Leadventure, Inc.

| <b>Ref #</b> | <b>Part #</b> | <b>Description</b>                            | <b>Qty</b> |
|--------------|---------------|---|------------|
|              | UT05064       | Dolly kit W/Depth Gage                        |            |
|              | A18009A       | Carry Case with Insert                        |            |
|              | A49649        | NLA(NO LONGER AVAILABLE)                      |            |
|              | 98827         | Spark Arrestor Screen                         |            |
|              | A24824        | Combination Wrench (5/8, 3/4, & Screw driver) |            |
|              | 03000         | 1/2 Wrench                                    |            |
|              | A17106B       | Puller Rotor                                  |            |