

Accessories

Mulch Kit - MK30

Spare parts

Ersatzteile

Pièces détachées

Reserve onderdelen

Repuestos

Reservdelar



30 INCH MOWER MULCH KIT

KIT No. 96071002500

Kit Contains:

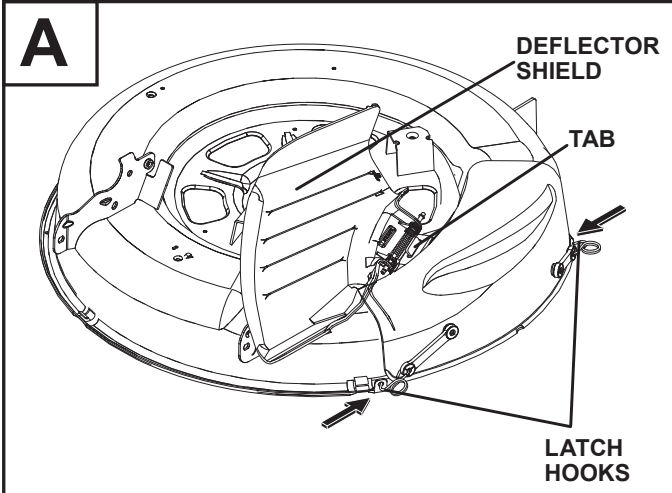
- (1) Mulch Cover Assembly

A INSTALL MULCH COVER

- Lower attachment lift lever to its lowest position.
- Raise and hold deflector shield in upright position.
- Place front of mulcher cover over front of mower deck opening and slide into place.
- Place slot in mulcher cover over tab on mower and position cover over mower opening as shown.
- Hook front latch hook into hole on front of mower deck.
- Hook rear latch hook into hole on back of mower deck.



CAUTION: DO NOT REMOVE DEFLECTOR SHIELD FROM MOWER. RAISE AND HOLD SHIELD WHEN ATTACHING MULCH COVER AND ALLOW IT TO REST ON COVER WHILE IN OPERATION.



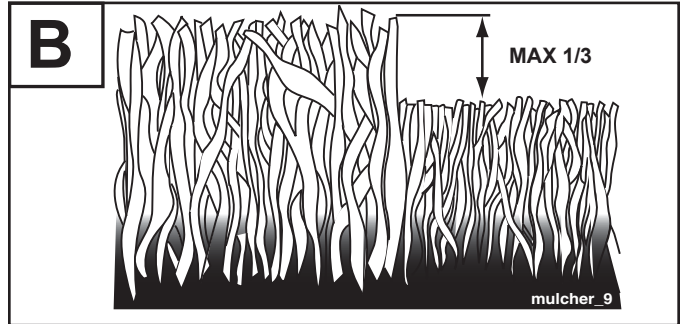
TO CONVERT TO DISCHARGING

Simply remove mulcher cover and store in a safe place. Your mower is now ready for discharging.

B MULCHING MOWING TIPS

IMPORTANT: FOR BEST PERFORMANCE, KEEP MOWER HOUSING FREE OF BUILT-UP GRASS AND TRASH. CLEAN AFTER EACH USE.

- The blades will recut the grass clippings many times and reduce them in size so that as they fall onto the lawn they will disperse into the grass and not be noticed. Also, the mulched grass will biodegrade quickly to provide nutrients for the lawn. Always mulch with your highest engine (blade) speed as this will provide the best recutting action of the blades.
- Avoid cutting your lawn when it is wet. Wet grass tends to form clumps and interferes with the mulching action. The best time to mow your lawn is the early afternoon. At this time the grass has dried and the newly cut area will not be exposed to the direct sun.
- For best results, adjust the mower cutting height so that the mower cuts off only the top one-third of the grass blades. For extremely heavy mulching, reduce your width of cut and mow slowly.



- Certain types of grass and grass conditions may require that an area be mulched a second time to completely hide the clippings. When doing a second cut, mow across or perpendicular to the first cut path.
- Change your cutting pattern from week to week. Mow north to south one week then change to east to west the next week. This will help prevent matting and graining of the lawn.

FOR FUTURE REFERENCE AND REPAIR PARTS ORDERING, KEEP THIS INSTRUCTION SHEET WITH YOUR TRACTOR MANUAL

REPAIR PARTS

KIT NO. 96071002500

| KEY NO. | PART NO. | DESCRIPTION |
|---------|--------------|---------------------------------|
| 1 | 532 42 17-17 | Mulch Cover Assembly (Complete) |
| 2 | 532 16 07-93 | Latch Hook |
| 3 | 532 12 50-04 | Weld Nut |
| 4 | 819 06 12-16 | Washer 3/16 x 3/4 |
| 5 | 810 07 10-00 | Washer, Lock #10 |
| 6 | 871 08 10-10 | Screw #10 x 5/8 |

