

# MK-370EXP TILE SAW

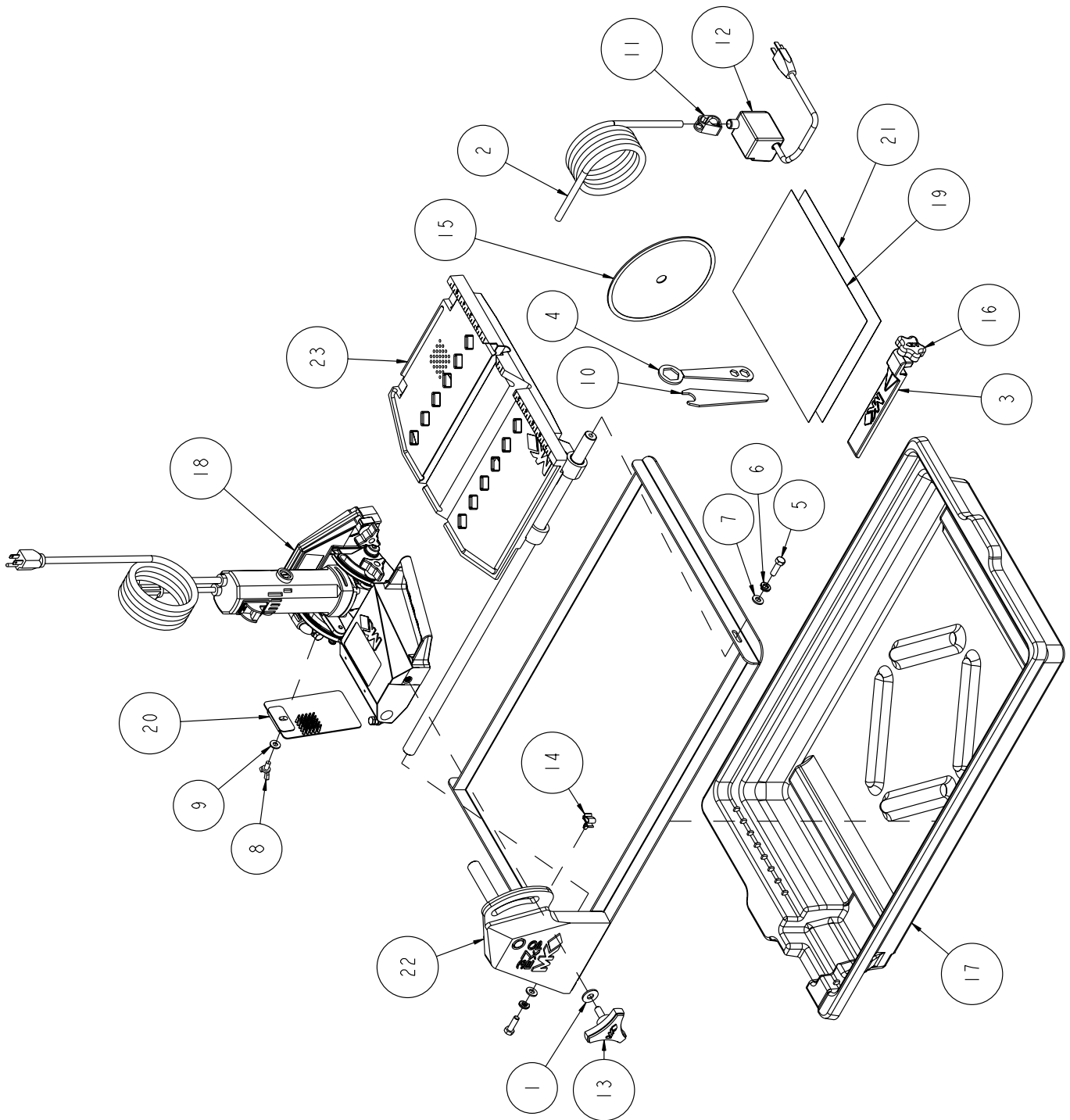
## OWNERS MANUAL, PARTS LIST & OPERATING INSTRUCTIONS



Revision 304	08.2013
Manual Part No. 160084	

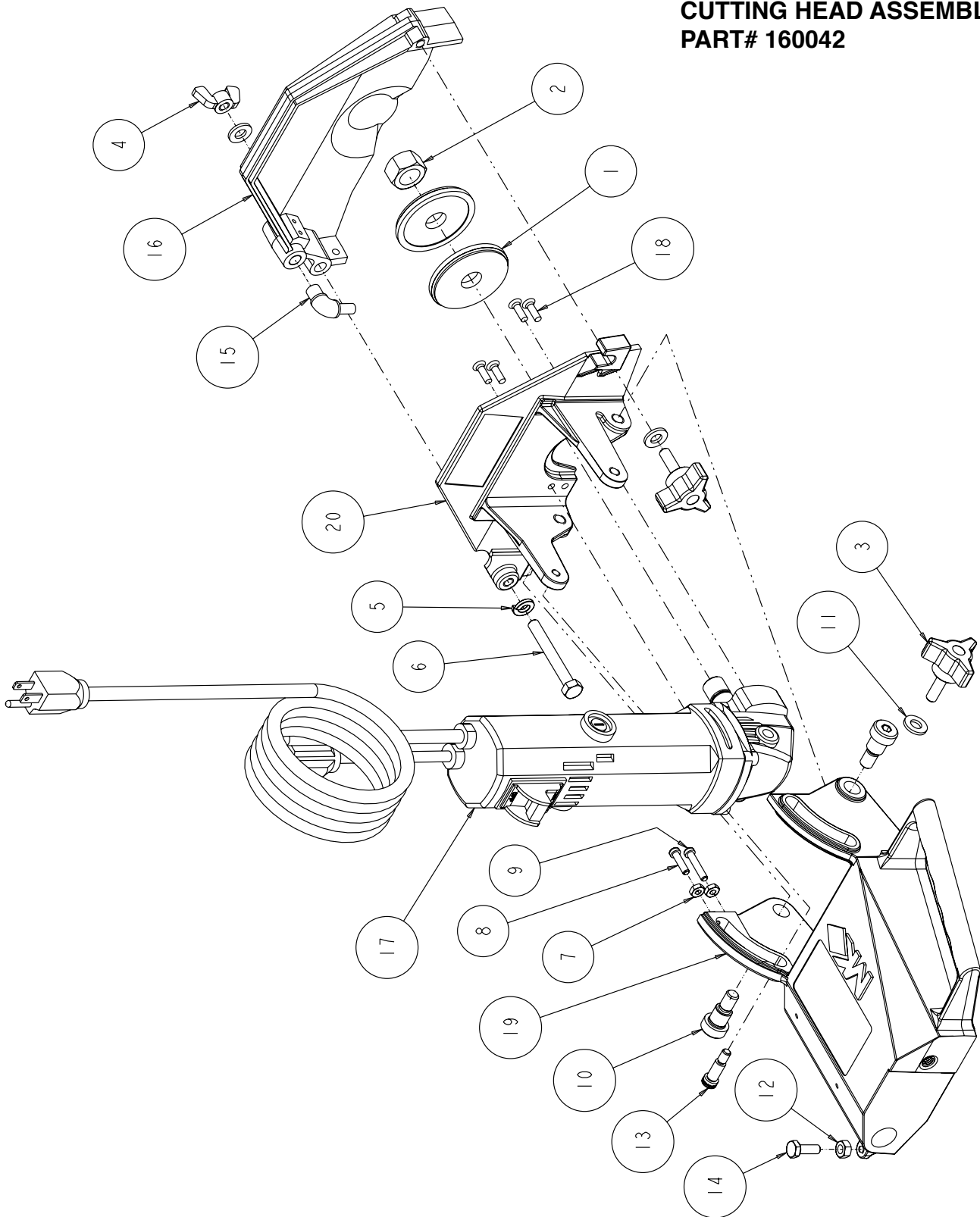
**Caution:** Read all safety and operating instructions before using this equipment. This owners manual **MUST** accompany the equipment at all times.

TILE SAW ASSEMBLY  
PART# 159943



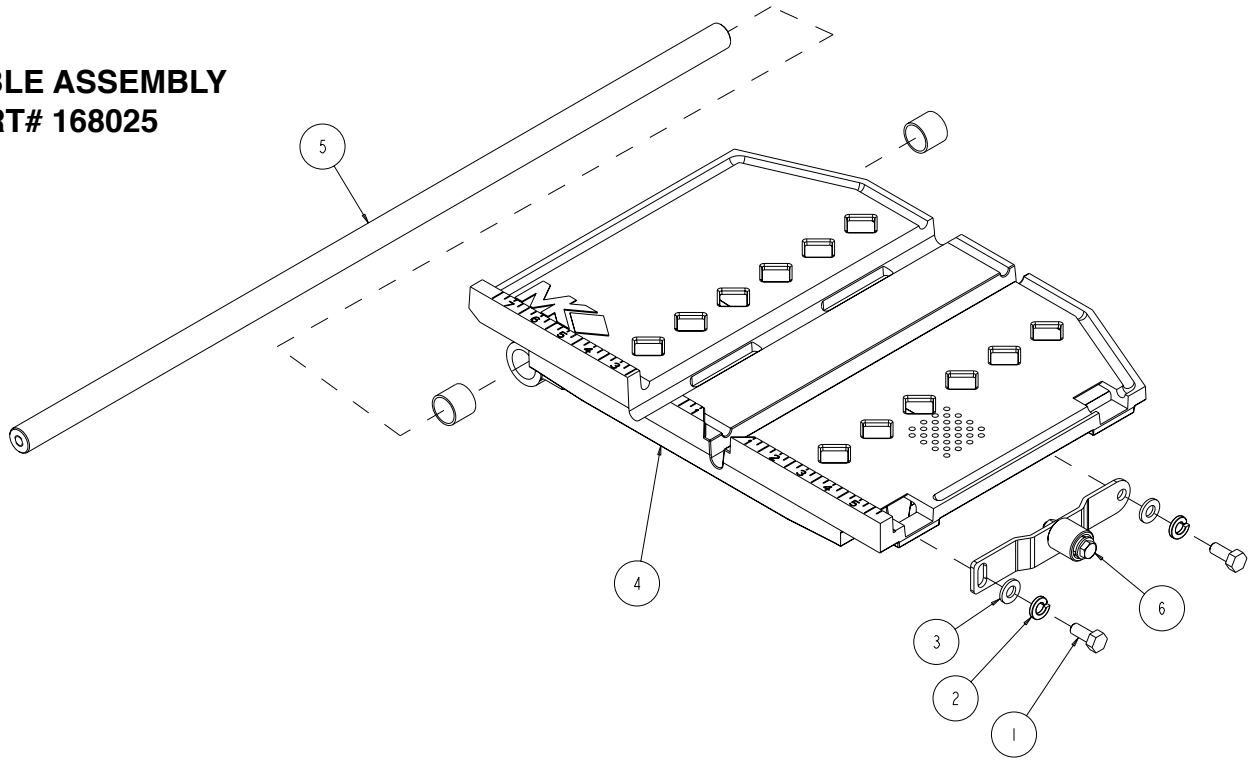
ITEM.	DESCRIPTION	QTY.	PART #
1	WASHER, FLAT CUT 3/8	1	101360
2	HOSE, WATER VINYL 1/2 X 3/8 TSAW (6.0')	1	132951
3	CASTING, ACC RIP GUIDE - COMP	1	134551
4	WRENCH, TILES AW, 15/16 - 18 X 1	2	134684
5	SCREW, HEX HD, 5/16 - 18 X 1	2	151743
6	WASHER, LOCK, SPLIT, 5/16	2	151747
7	WASHER, FLAT, SAE, 5/16	2	151754
8	SCREW, WING, 1/4 - 20 X 1/2	1	151888
9	WASHER, 1/4 SAE FLAT	1	151915
10	WRENCH, TILES AW, 11/16 OPEN END	1	153450
11	CLAMP, HOSE 1/2 - 3/4	1	154394
12	PUMP, WATER, 115V 60HZ	1	155987-VP
13	KNOB, TRI PLASTIC, 1"	1	156770-01
14	CLIP, CORD 1/4" PUSH MOUNT	1	157259
15	MK-HDTCM WET 7 X 060 X 7/8 CONT	1	157913
16	KNOB, RUBBER, 1/4 -20 X 3/4" LONG	1	159428-1
17	PAN, WATER MK-370EXP/1080	1	160041
18	ASSY, CUTTING HEAD, 120V	1	160042
19	OWNERS MANUAL MK-370EXP	1	160084
20	GUARD, SPLASH	1	160310
21	SHEET, WARNING LABELS, TILE SAW	1	166012
22	ASSY, FRAME, 370EXP	1	167450
23	ASSY, TABLE, 370EXP	1	168025

**CUTTING HEAD ASSEMBLY  
PART# 160042**

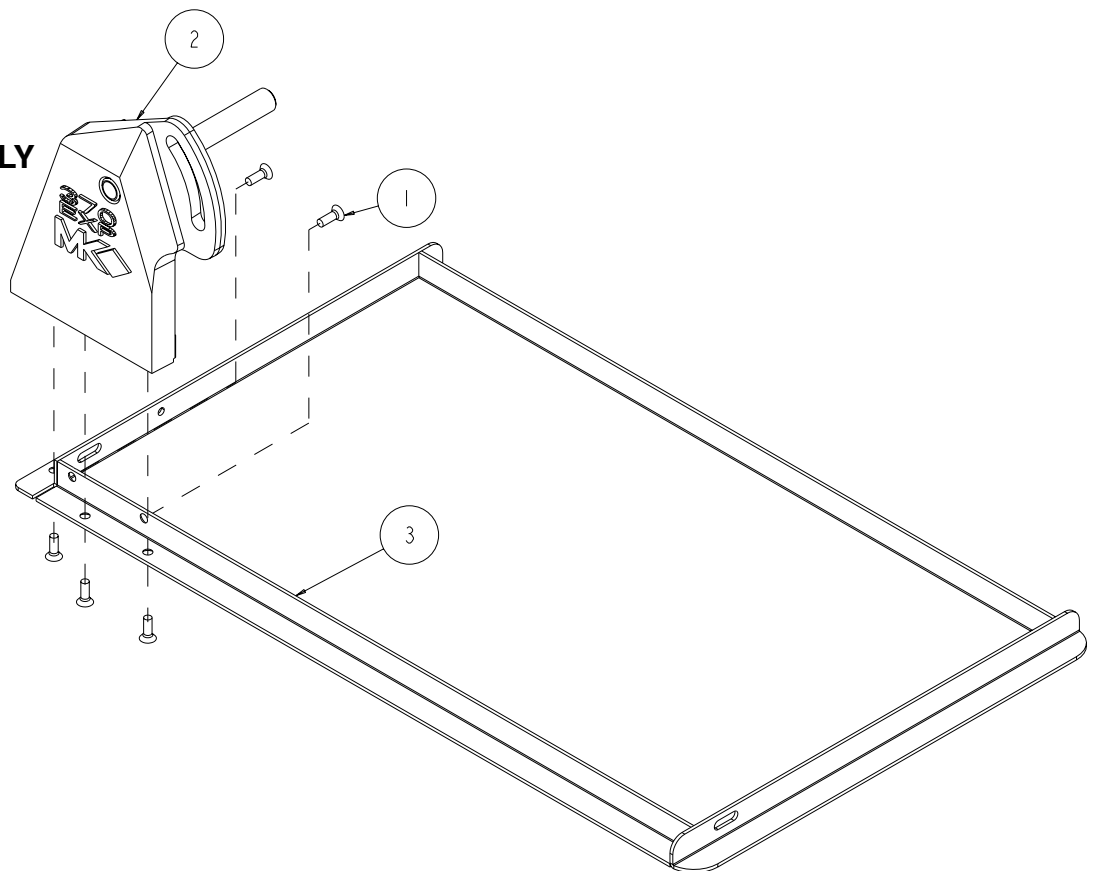


ITEM.	DESCRIPTION	QTY.	PART #
1	FLANGE, OUTER, 2-3/8	2	135830
2	NUT,HEX, 5/8 - 18	1	135848
3	KNOB, DAVIES, 5/16 - 18 X 1	2	151681
4	NUT, WING, NYLK, 5/16 - 18	1	151746
5	WASHER, LOCK, SPLIT, 5/16	1	151747
6	BOLT, HEX HD TAP, 5/16 - 18 X 2 - 1/2	1	151748
7	NUT, HEX, 10-24	2	151749
8	SCREW, FIL HD, SLT, #10 - 24 X 3/4	1	151750
9	SCREW, FIL HD, SLT, #10 - 24 X 1	1	151751
10	SCREW, SHOULDER, 1/2 X 1/2	2	151753
11	WASHER, FLAT, SAE, 5/16	3	151754
12	NUT, HEX, 1/4 - 20	1	1515893
13	SCREW SHOULDER 5/16 X 5/8	1	152137
14	SCREW HEX HD, 1/4 - 20 X 3/4	1	152370
15	ELBOW, 1/8 MNPT X 1/4 BARB 90DEG	1	154652
16	CASTING, BLD GRD, 7 INCH BLADE (COMP)	1	154811
17	MTR, ELECT, 7.4 AMP 120V	1	156428-R
18	SCREW, FLAT HD 10 -32 X 5/8"	4	157554
19	CASTING, COMMON PART, CTTG HD-C	1	159937
20	CASTING, MTR MOUNT, COMMON-COMP	1	159941

**TABLE ASSEMBLY**  
**PART# 168025**



**FRAME ASSEMBLY**  
**PART# 167450**



**TABLE ASSEMBLY**

ITEM.	DESCRIPTION	QTY.	PART #
1	SCREW, 5/16 - 18 X 1 HEX HEAD MACHINE	2	151369
2	WASHER, LOCK, SPLIT, 5/16	2	151747
3	WASHER, 5/16 SAE FLAT	2	151754
4	CASTING, TABLE, 370/770EXP - COMP	1	159939
5	BAR, GUIDE 3/4 DIA	1	159942
6	ASSEMBLY, ROLLER WHEEL	1	168023

**FRAME ASSEMBLY**

ITEM.	DESCRIPTION	QTY.	PART #
1	SCREW, 1/4 -20 X /34 FLAT HEAD PHILLIPS MACHINE	5	154657
2	CASTING, POST MOUNT, COMP	1	167448
3	WELDMENT, FRAME	1	167449