

MK-2020 PARTS LIST

Parts List MK-2020

Item	Description	Qty	p/n
A	Accessories	-	-
A1	Tube, Owner's Manual	1	155419
A2	Owner's Manual, MK 20-Series	1	156777
A3	Wrench	1	137976
B	Belts	-	-
B1A	V-Belt, AX-33	2	150764
B2	V-Belt, AX-43	1	156110
C	Belt Guard	-	-
C1	Guard, MK 20-Series Belt	1	159888
C2	Screw, 3/8-16 X 1 Hex Head Cap	2	152507
C3	Screw, 3/8-16 X 3/4 Hex Head Cap	1	153527
C4	Washer, 3/8 Split Lock	3	150925
C5	Washer, 3/8 SAE Flat	3	150923
C6	Label, Caution, Sparkplug, 1.5 X 3.0	1	155579
C7	Label, Caution, Belt Tension, 1.5 X 3.0	1	155583
C8	Label, Caution, Guards in Place, 1.5 X 3.0	1	155587
C9	Pin, 1/4 X 3/4 Roll (not shown)	1	n/a
	Assembly, 20" Blade Guard, MK 20-Series	1	158818
D1A	Guard, Blade, 20" Rear, MK 20-Series	1	156781
D2A	Guard, Blade, 20" Front, MK 20-Series	1	154062
D3	Screw, 3/8-16 X 4 Hex Head Cap	1	153531
D4	Washer, 3/8 SAE Flat	2	150923
D5	Nut, 3/8-16 Centerlock Hex	1	153522
D6	Screw, 3/8-16 X 1 Hex Head Cap	4	152507
D7	Washer, 3/8 SAE Flat	4	150923
D8	Washer, 3/8 Split Lock	4	150925
D9	Fitting, Brass 1/8 MNPT X 3/8 BARB	1	152501
D10	Flap, Rubber Splash	1	150846
D11	Screw, 1/4-20 X 3/4 Hex Head Cap	2	152504
D12	Washer, 1/4 SAE Flat	4	151915
D13	Washer, 1/4 Split Lock	2	152591
D14	Nut, 1/4-20 Hex	2	151893
D15	Label, Caution, Lift Guard, 1.5 X 3.0	1	155586
D16	Label, Blade Failure Warning	1	155588
	Assembly, 1-3/16 X 20HP Blade Shaft	1	156654
E1	Shaft, 1-3/16 Dia. Blade	1	156599
E2	Bearing, 1 3/16 ID Pillow Block	2	155622
E3	Screw, 7/16-14 X 1 1/2 Hex Head Cap	4	155155
E4	Washer, 1/2 SAE Flat	4	150924
E5	Washer, 7/16 SAE Flat	4	151050
E6	Washer, 7/16 Split Lock	4	151051
E7	Flange, Inner, 1" Bore	2	150731
E8	Key, #9 Woodruff	2	150794
E9	Key, 1/4 Square X 1-3/4	1	150796
E10A	Pulley, 2A34B38TB1610	1	155010
E11A	Bushing, 1610 X 1 3/16 Taper Lock	1	155011
E12	Nut, Blade Shaft, 1-14 Left Hand (gold)	1	138701
E13	Nut, Blade Shaft, 1-14 Right Hand (silver)	1	138693
E14	Assembly, Outer Flange	1	155451
G	Console Tower	-	-
G1	Panel, Right Hand Tower	1	156500
G2	Panel, Left Hand Tower	1	156501
G3	Panel, Tower Upper Back	1	156504

MK-2020 PARTS LIST (cont...)

Item	Description	Qty	p/n
G4	Panel, Tower Lower Back	1	156505
G5	Panel, Control	1	156305
G6	Screw, 3/8-16 X 3/4 Hex Head Cap	4	153527
G7	Washer, 3/8 Split Lock	4	150925
G8	Washer, 3/8 SAE Flat	4	150923
G9	Screw, 1/4-20 X 1/2 Truss Head Phillips Cap	18	153880
G11	Screw, 1/4-20 X 1 1/2 Hex Head Cap	1	151914
G12	Nut, 1/4-20 Hex	3	151893
G13	Label, Control Panel	1	156749
G14	Label, Water On/Off	1	154404
G15	Label, Engage	1	154405
G16	Label, Disengage	1	154406
G17	Label, Engine On-Off-Start	1	156601
G21	Plug, 3/4 Flush Head Button (not shown)	1	156615
G22	Plug, 1/2 Flush Head Button (not shown)	1	156779
H	Depth Control	-	-
H1	Wheel, Depth Control	1	155156
H2	Screw, 3/8-16 X 1/2 Socket Head Set	1	153710
H3	Handle, Depth Control Wheel	1	156236
H4	Handgrip	1	150842
H5	Screw, 1/2 X 3/4 Socket Head Shoulder	1	156177
H6	Tube, Depth Control	1	155049
	a) Fitting, Grease	1	153852
H7	Nut, 3/8-16 Nylock Hex	1	152505
H8	Screw, 3/8-16 X 2 Hex Head Cap	1	153485
H9	Bearing, 3/4 ID Flange	1	155151
H10	Screw, 3/8-16 X 1 Socket Head Cap	2	156602
H11	Spacer, Depth Control (not shown)	1	155161
H12	Nut, 3/4-10 Hex	2	155063
H13	Screw, Depth Control	1	155062
H14	Label, Clipper, 1.75 Round (not shown)	1	n/a
I	Depth Indicator	-	-
I1	Clamp, Depth Indicator	1	156603
I2	Screw, 5/16-18 X 1 Hex Head Cap	1	151743
I3	Washer, 5/16 SAE Flat	1	151754
I4	Arm, Depth Indicator	1	156604
I5	Screw, 1/4-20 X 1/2 Pan Head Phillips Cap	2	155452
I6	Washer, 1/4 Split Lock	2	152591
I7	Spring, Depth Indicator	1	156605
I8	Screw, 8-32 X 1/2 Pan Head Phillips Cap	1	152517
I9	Washer, #8 SAE Flat	2	155454
I10	Nut, 8-32 Hex	1	153549
I11	Spool, 2-3/4 Depth Indicator	1	156606
I12	1/4-20 X 2 1/4 Hex Head Cap	1	156607
I13	Nut, 1/4-20 Hex	1	151893
I14	Bracket, Depth Indicator	1	156608
I15	Screw, 1/4-20 X 1 Flat Head Phillips Cap (not shown)	1	153894
I16	Washer, 1/4 SAE Flat	1	151915
J	Depth Lock	-	-
J1	Spring, Detent	1	156609
J2	Washer, 3/8 SAE Flat	1	150923
J3	Screw, 3/8-16 X 2 Socket Head Cap	1	153643
J4	Nut, 3/8-16 Nylock Hex	1	152505
K	Engage/Disengage Lever	-	-

MK-2020 PARTS LIST (cont...)

Item	Description	Qty	p/n
K1	Lever, Engage / Disengage	1	156610
K2	Arm, Drive Adjustment	2	154242
K3	Knob, 1/2-20 Ball	1	154486
K4	Screw, 3/8-16 X 1 1/2 Hex Head Cap	1	153528
K5	Screw, 3/8-16 X 2 1/4 Hex Head Cap	1	153529
K6	Nut, 3/8-16 Nylock Hex	2	152505
K7	Screw, 3/8-16 X 3/4 Hex Head Cap	2	153527
K8	Washer, 3/8 Split Lock	2	150925
K9	Washer, 3/8 SAE Flat	6	150923
K10	Pin, 3/8 X 1 1/4 Clevis, w/ Hairpin Cotter Pin	1	156611
L	Engines	-	-
L1B	Engine, Honda GX620K1 20HP	1	158229
L2	Muffler, Honda GX620K1 20HP Engine	1	158567
L3	Tank, Fuel	1	156618
L4	Cap, Fuel Tank	1	156619
L5	Joint, Fuel Tank (not shown)	1	156620
L6	O-Ring, Fuel Tank Joint (not shown)	1	156621
L7	Hose, 5.5mm X 8m Fuel (not shown)	20"	156622
L10	Pulley, 3B34TB1210, Reverse Mount	1	155009
L11A	Bushing, 1210 X 1 1/8 ID Taper Lock, w/ Int. Key	1	154430
L12	Nut, 3/8-16 Nylock Hex	4	152505
L13	Washer, 3/8 SAE Flat	4	150923
L14	Screw, 3/8-16 X 2 Hex Head Cap	4	153485
L15	Pin, Throttle Control	1	151284
L16	Screw, 8-32 X 3/8 Pan Head Cap	1	156614
L17	Pin, Cotter, 1/16 X 3/4	1	152518
L18	Plug, 3/4 Flush Head Button	1	156615
L19	Label, Caution, Hot Surface, 1.5 X 3.0	1	155578
L20	Label, Warning, Refueling, 1.5 X 3.0	1	155580
L21	Label, Danger, California, 1.5 X 3.0 (not shown)	1	155581
L22	Label, Danger, Lethal Exhaust, 1.5 X 3.0	1	155582
L23	Panel, Front Tower, MK	1	156502
L23A	Panel, Front Tower, Rectifier Mount	1	156503
L24A	Oil Drain M14 X 3/8 Push	1	157577-03
L25	Bracket, Honda Fuel Tank (not shown)	1	158570
L26	Nut, M8 Flange Hex (not shown)	2	156624
L27	Screw, M8 X 16 mm Hex Head Cap (not shown)	2	156625
L28	Cable, Choke, with knob	1	158816
L29	Nut, 3/8-24 Hex Jam	1	156623
M	Frame	-	-
M1	Frame	1	157092
M2	Mount, Engine	1	154237
M3	Screw, 1/2-13 X 1 3/4 Hex Head Cap	2	153853
M4	Screw, 1/2-13 X 1 1/4 Hex Head Cap	2	153532
M5	Washer, 1/2 SAE Flat	4	150924
M6	Bolt, 1/2-13 X 3 Hex Head Tap	1	153854
M7	Label, Caution, Hands and Feet, 2 X 4	1	155585
M8	Tag, Serial Number MK-20 Series (not shown)	1	156919
O	Handlebar	-	-
O1	Handlebar	1	156516
O2	Handgrip	2	150842
O3	Bolt, 3/8-16 X 1 1/2 Hex Head Tap	2	156656
O4	Label, Warning, Handle Lifting, .625 X 2.937 (not shown)	1	156627

MK-2020 PARTS LIST (cont...)

Item	Description	Qty	p/n
P	Idler Arm	-	-
P1	Arm, Idler	1	154244
P2	Screw, 3/8-16 X 2 Hex Head Cap	2	153485
P3	Spacer, 3/4 OD X 3/8 ID X 1/2	1	156628
P4	Washer, 3/8 Split Lock	1	150925
P5	Washer, 3/8 SAE Flat	3	150923
P6	Pulley, Idler	1	153797
P7	Spring, Idler Pulley	1	153807
P8	Eyebolt, 1/4-20 X 3	1	153887
P9	Nut, 1/4-20 Hex	2	151893
Q	Lifting Bail	-	-
Q1	Bail, Lifting	1	156543
Q2	Screw, 1/2-13 X 1 1/4 Hex Head Cap	4	153532
Q3	Washer, 1/2 Split Lock	4	153524
Q4	Washer, 1/2 SAE Flat	8	150924
Q5	Nut, 1/2-13 Hex	4	151282
R	Pointer	-	-
R1	Arm, Pointer	1	156544
R2	Pointer	1	155057
R3	Wheel, Pointer, w/ 3/8 X 1/2 X 5/8 nylon bushing	1	155066
R4	Screw, 1/4-20 X 3/4 Thumb	1	150991
R5	Nut, 3/8-16 Nylock Hex	3	152505
R6	Washer, 3/8 SAE Flat	6	150923
R7	Screw, 3/8-16 X 2 1/2 Hex Head Cap (not shown)	1	156030
R8	Screw, 3/8-16 X 1 1/2 Hex Head Cap	2	153528
U	Rear Axle	-	-
U1	Shaft, 3/4 Dia. Axle	1	153873
U2	Wheel, Rear, 6 Dia. X 2	2	138529
U3	Collar, 3/4 Set	2	153814
U4	Washer, 3/4 SAE Flat	4	153523
U5	Screw, 5/16-18 X 3/4 Hex Head Cap	2	151369
U6	Washer, 5/16 Split Lock	2	151747
U7	Washer, 3/8 SAE Flat	2	150923
V	Shaft Guard	-	-
V1	Guard, Shaft	1	156307
V2	Screw, 3/8-16 X 1 Hex Head Cap	3	152507
V3	Washer, 3/8 Split Lock	3	150925
V4	Washer, 3/8 SAE Flat	3	150923
V5	Label, Caution, Guards in Place, 1.5X3.0	1	155587
W	Tach / Wire Harnesses	-	-
W1B	Wire Harness, 20HP Honda K1	1	158684
W2A	Tach / Hourmeter	1	153877
W3	Screw, 8-32 X 1/2 Pan Head Phillips Self-Tapping Cap	2	156632
W4	Bracket, Battery	1	156634
W5	Screw, 3/8-16 X 3/4 Button Head Socket Cap	2	156635
W6	Washer, 3/8 SAE Flat	2	150923
W7	Nut, 3/8-16 Nylock Hex	2	152505
W8	Cable, 4ga X 48 Battery, Red with 5/16 Ring Terminals	1	153848
W9	Cable, 4ga X 24 Battery, Black with 5/16 Ring Terminals	1	153849
W10	Bolt, 5/16-18 X 1 Carriage	2	151698
W11	Washer, 5/16 SAE Flat	2	151754
W12	Nut, 5/16-18 Hex	2	101196
W13	Washer, 3/8 Split Lock (not shown)	1	150925

MK-2020 PARTS LIST (cont...)

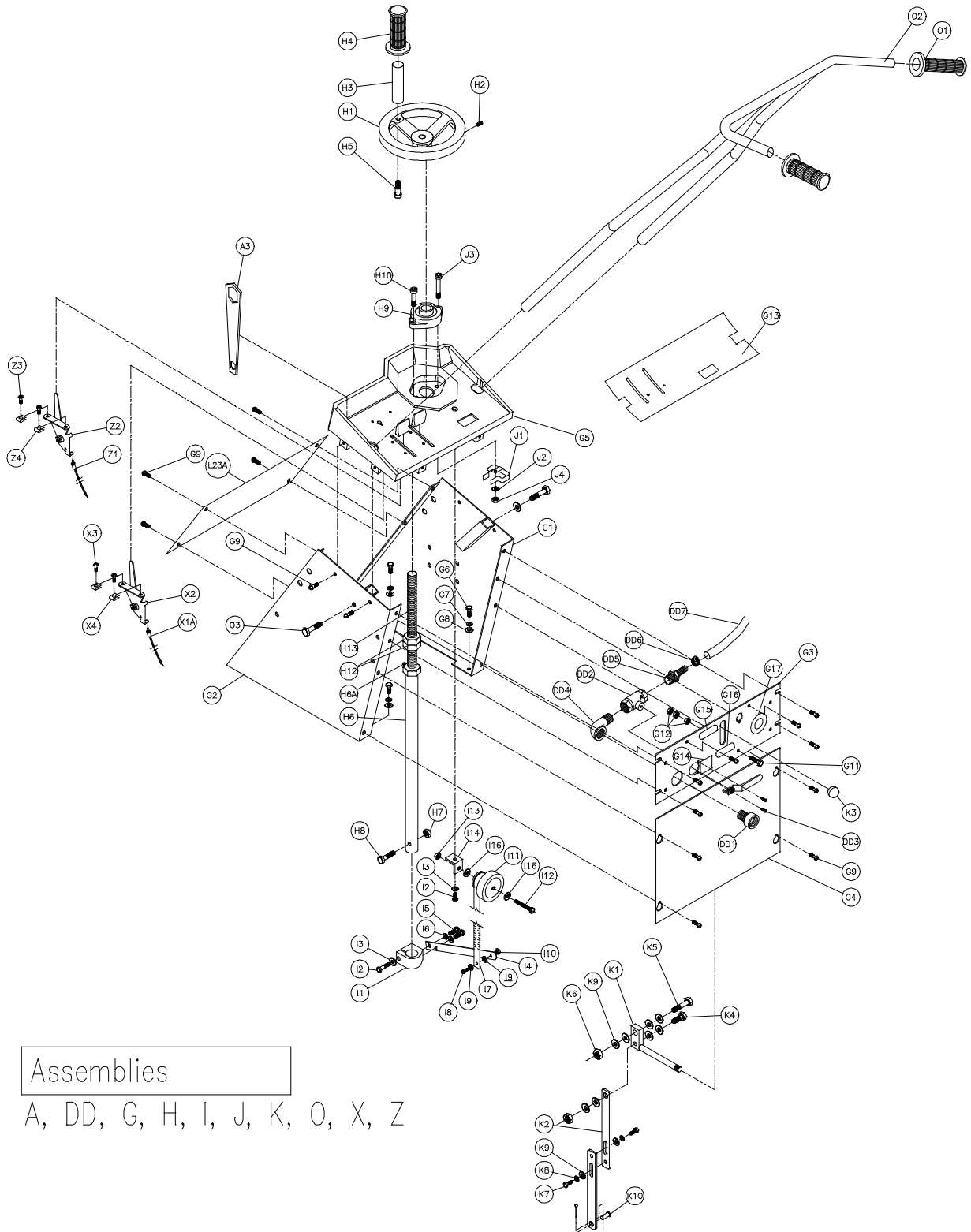
Item	Description	Qty	p/n
W14	Clip, .62 Metal Cord (not shown)	2	158790
W16	Battery, 12 Volt 35 Amp-Hours	1	162589
W21	Insulator, Battery Terminal	1	162769
X	Throttle Cable	-	-
X1A	Cable, Throttle, 20HP Honda	1	158815
X2	Throttle Head	1	155406
X3	Screw, 10-24 X 3/4, Pan Head Phillips, Self Tapping	2	156641
X4	Nut, 10-24 Clip	2	155407
Y	Transmission	-	-
Y1	Mount, Transmission	1	154230
Y2	Bracket, Transmission Control Cable	1	153862
Y3	Lever, Transmission Control	1	154238
Y4	Sprocket, #35-B12 X 17mm Bore	1	153811
Y5	Nut, 3/8-16 Nylock Hex	9	152505
Y6	Washer, 3/8 SAE Flat	17	150923
Y7	Screw, 1/4-20 X 3/4 Hex Head Cap	2	152504
Y8	Washer, 1/4 Split Lock	2	152591
Y9	Washer, 1/4 SAE Flat	2	151915
Y10	Screw, 10-32 X 1/2 Pan Head Phillips Cap	1	151052
Y11	Washer, #10 Split Lock	1	153684
Y12	Washer, #10 SAE Flat	1	154369
Y13	Clamp, Transmission Control Cable	1	154383
Y14	Transmission, Hydrostatic	1	153783
Y15	Screw, 3/8-16 X 3 Hex Head Cap	4	153113
Y16	Pulley, 1-Groove, 6" Dia X 17mm Bore	1	156642
Y17	Screw, 10-24 X 1/2 Hex Head Cap	1	154172
Y18	Pin, Transmission Control	1	153842
Y19	Pin, 3/32 X 1 Cotter	1	153860
Y20	Shaft, Drive Wheel	1	153891
Y21	Roller Chain and Link	1	156309
Y22	Key, 3/16 X 3/16 x 1 1/8 Square	3	150344
Y23	Sprocket, #35BS48 X 3/4 Bore	1	153812
Y24	Bearing, Flange	2	152025
Y25	Fitting, Grease	2	153852
Y26	Screw, 3/8-16 X 1 1/4 Hex Head Cap	4	150774
Y27	Wheel, Splined Drive	2	153786
Y28	Screw, 1/2-13 X 1 1/4 Hex Head Cap	2	153532
Y29	Washer, 1/2 SAE Flat	2	150924
Y30	Spring, Extension	1	153957
Z	Transmission Control Cable	-	-
Z1	Cable, Transmission Control	1	156643
Z2	Throttle Head	1	155406
Z3	Screw, 10-24 X 3/4 Pan Head Phillips, Self Tapping	2	156641
Z4	Nut, 10-24 Clip	2	155407
AA	Truck	-	-
AA1	Truck	1	154231
AA2	Shaft, 3/4 Dia. Pivot	1	153873
AA3	Washer, 3/4 SAE Flat	4	153523
AA4	Washer, 3/4 Shim	~4	153699
AA5	Wheel, Front, 5 Dia. X 2	2	138537
AA6	Pin, 1/8 X 1 1/2 Cotter	2	153861
AA7	Screw, 5/16-18 X 3/4 Hex Head Cap	2	151369
AA8	Washer, 5/16 Split Lock	2	151747
AA9	Washer, 3/8 SAE Flat	2	150923

MK-2020 PARTS LIST (cont...)

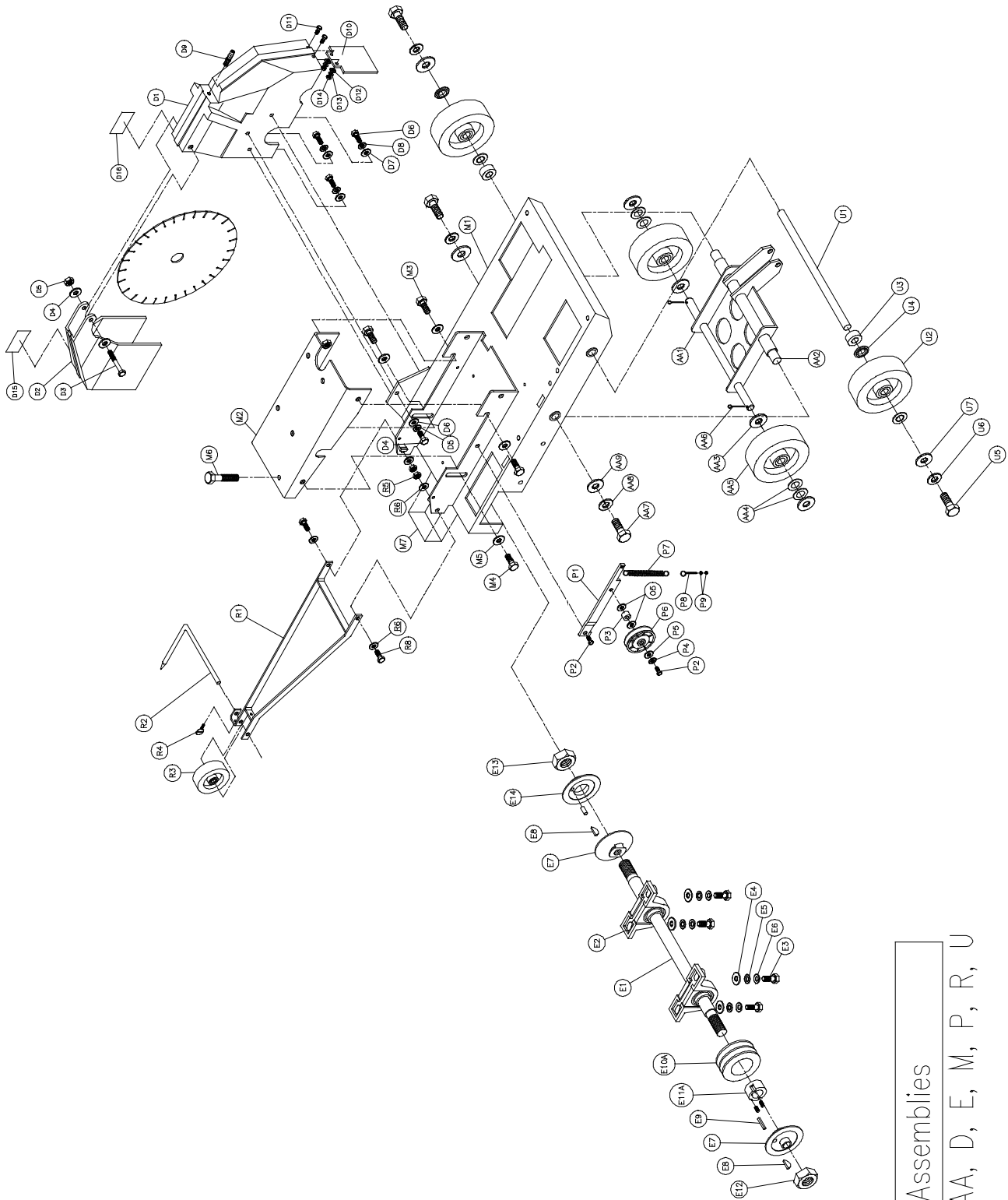
Item	Description	Qty	p/n
BB	Assembly, Water Tank	1	157852
BB1	Tank, Water	1	156644
BB2	Cap	1	156956
BB3	Valve, 3/8 MNPT x 3/8 FNPT Mini Ball	1	157898
BB4	Elbow, 3/8NPT Nylon Street	1	157895
BB5	Coupling, Quick Disconnect Socket X. 3/8 Tube	1	158079
BB6	Coupling, Quick Disconnect Plug X 3/8 Tube	1	158080
BB7	Tee, 3/8 Hose Barb, Brass	1	156646
BB8	Hose, 3/8 I.D. Vinyl	3'	150845
BB9	Clamp, 5/8 Hose	4	151198
BB10	Slider, Water Tank Strap	2	158095
BB11	Strap, Water Tank	1	158094
BB12	Instruction Sheet, Water Tank Installation (not shown)	1	157852-IS
CC	Assembly, Water Pump	1	158097
CC1	Pump, Electric Self Priming Centrifugal, 12V	1	156647
CC2	Fitting, 3/8 MNPT X 3/8 BARB, Brass	2	152076
CC3	Elbow, 3/8 MNPT 90 Street, Galvanized	1	152074
CC4	Fitting, 3/4 MNPT X 3/8 FNPT, Brass	2	156648
CC5	Screw, 1/4-20 X 1/2 Hex Head Cap	4	152608
CC6	Washer, 1/4 Split Lock	4	152591
CC7	Washer, 1/4 SAE Flat	4	151915
CC8	Nut, 1/4-20 Hex	4	151893
CC9	Switch, 15A/120V SPST Screw Terminal	1	156649
CC10	Terminal, 16-14 X #10 Stud Ring	2	154540
CC11	Terminal, 16-14 X 1/4 Stud Ring	1	156638
CC12	Terminal, 16-14 X .156 Male Bullet	1	152426
CC13	Connector, .156 Female Bullet Clamp-On Receptacle	1	152425
CC14	Wire, 14 GA Red Stranded	12"	156650
CC15	Clamp, 5/8 Hose	2	151198
CC16	Instruction Sheet, Water Pump Installation	1	158097-IS
DD	Assembly, Water Valve	1	153888
DD1	Fitting, Brass, 1/2 MNPT X Garden Hose Swivel	1	151322
DD2	Valve, Shut-Off, 1/2 FNPT X 1/2 FNPT	1	153796
DD3	Screw, 10-24 X 3/8 Phillips Head Self-Tapping Cap	2	151262
DD4	Elbow, 1/2 MNPT 90° Street, Galvanized	1	150844
DD5	Fitting, Brass, 1/2 MNPT X 3/8 BARB	1	153653
DD6	Clamp, 5/8 Hose	2	151198
DD7	Hose, 3/8 ID Vinyl	3'	150845

MK-2020 EXPLODED VIEWS

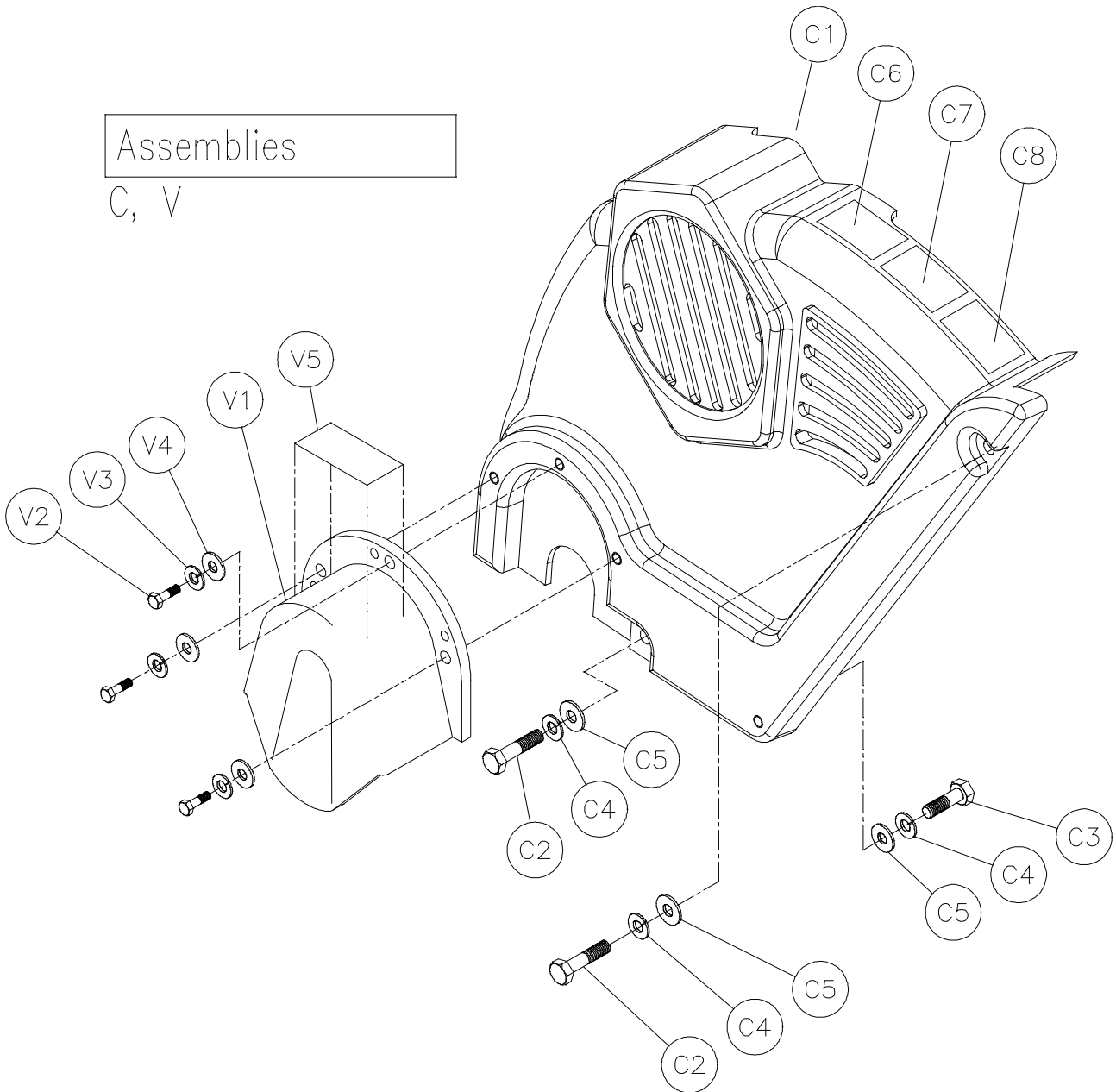
Exploded Views for MK-2020



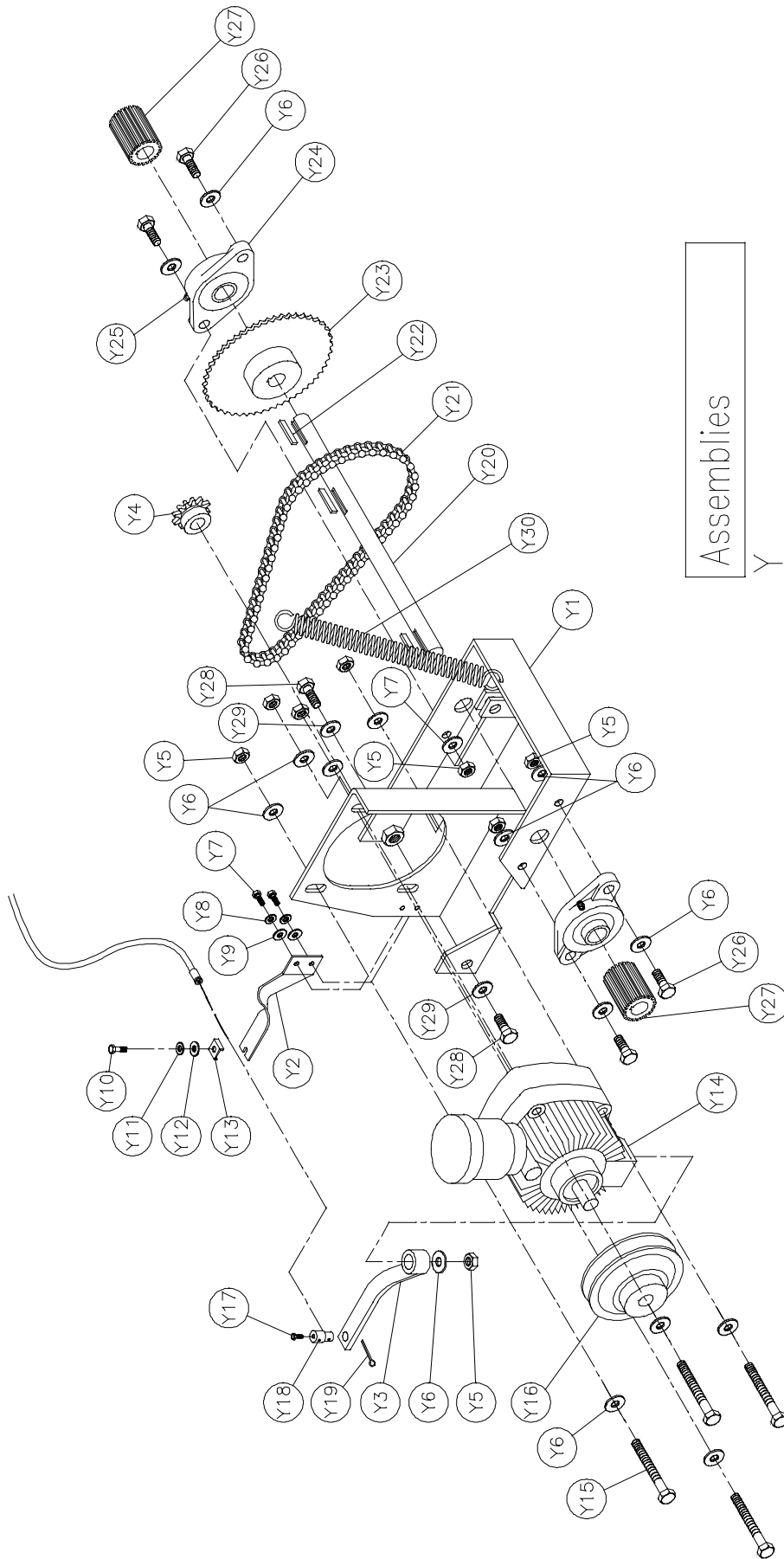
MK-20 EXPLODED VIEWS (cont...)



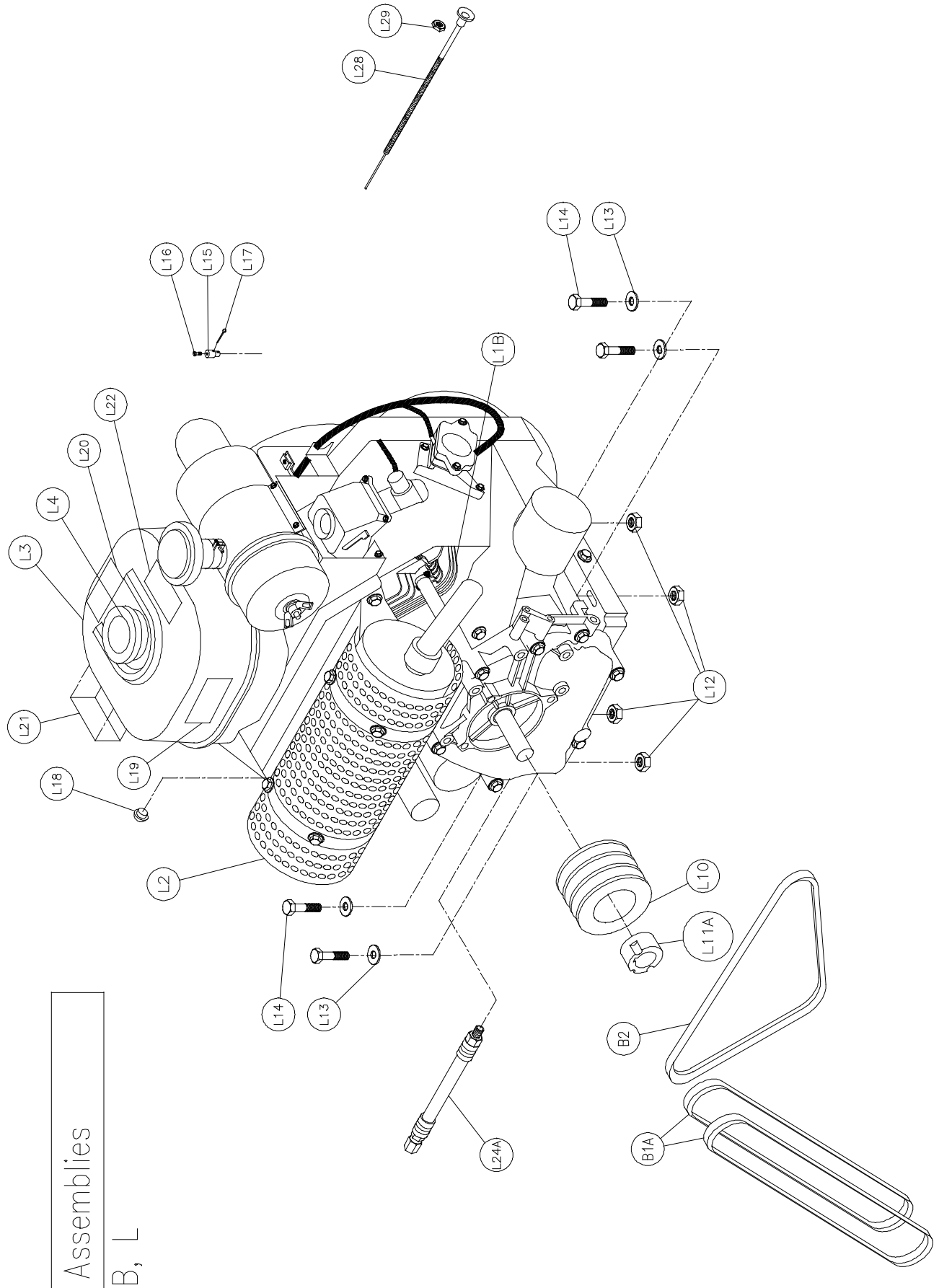
MK-2020 EXPLODED VIEWS (cont...)



MK-2020 EXPLODED VIEWS (cont...)

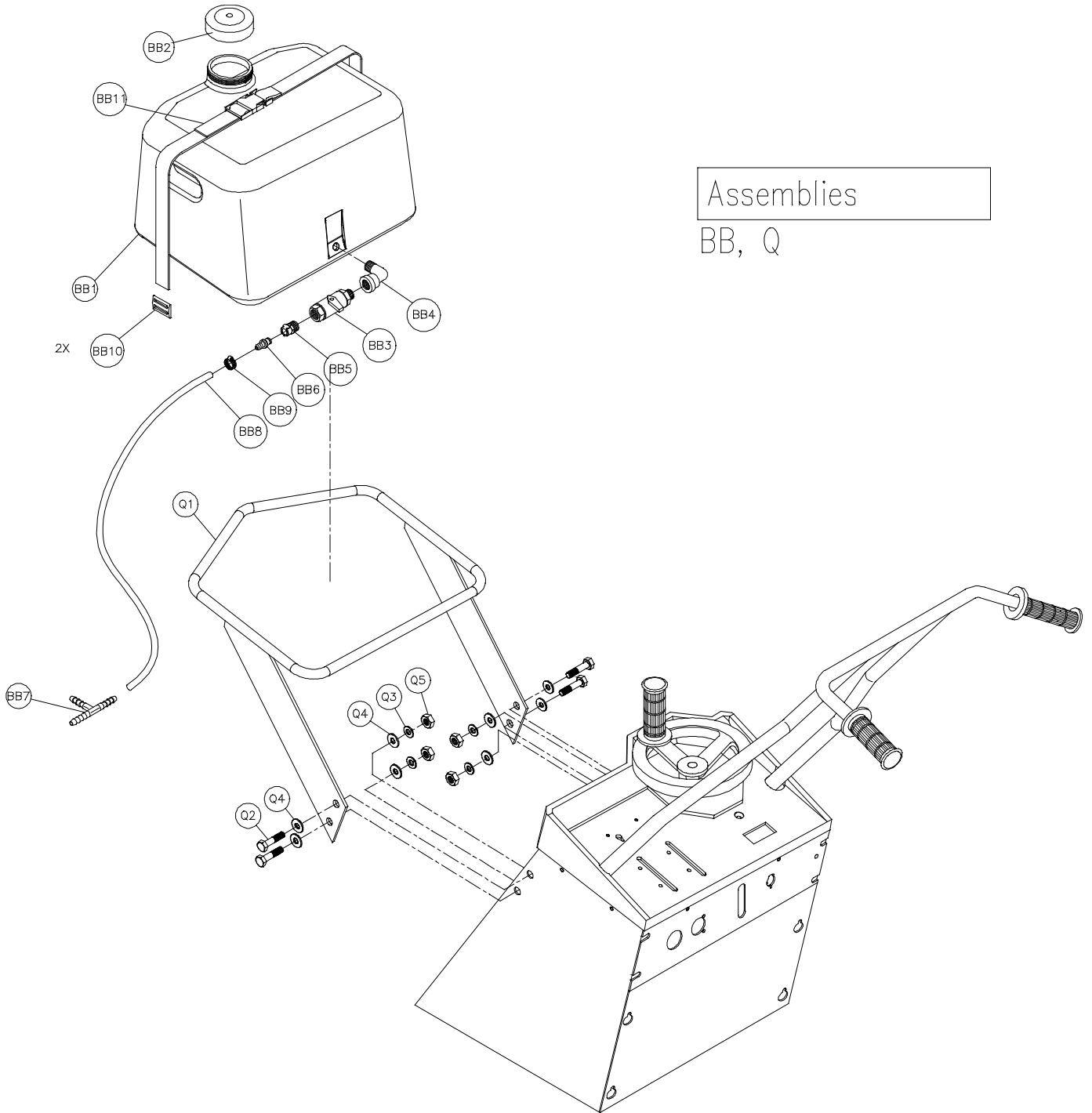


MK-2020 EXPLODED VIEWS (cont...)

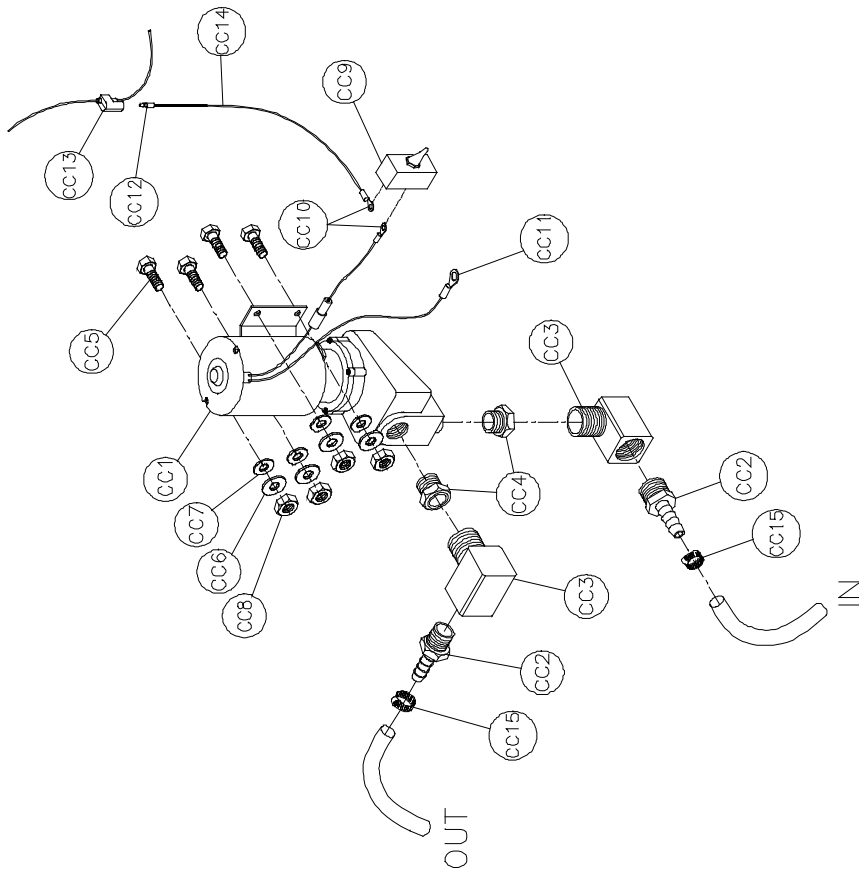
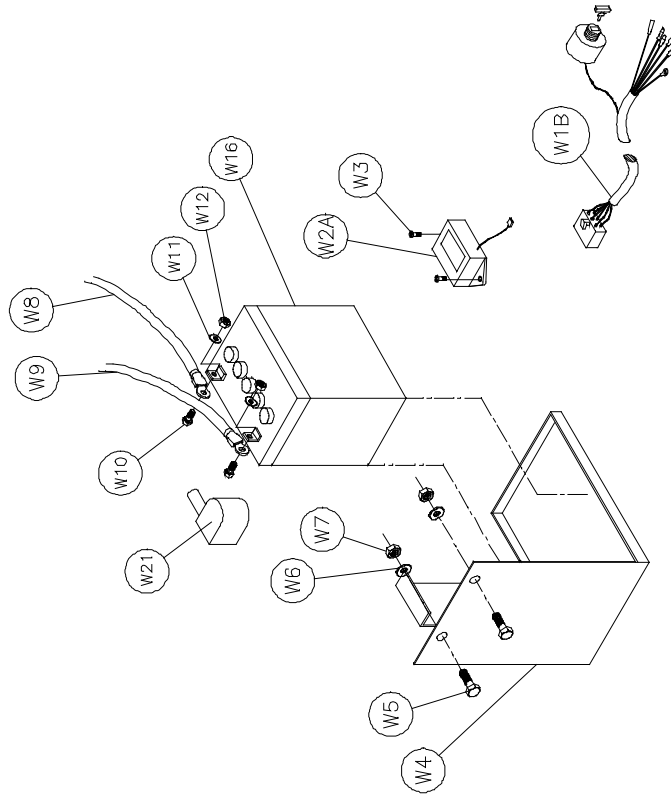


Assemblies
B, L

MK-2020 EXPLODED VIEWS (cont...)



MK-2020 EXPLODED VIEWS (cont...)



Assemblies

CC, W