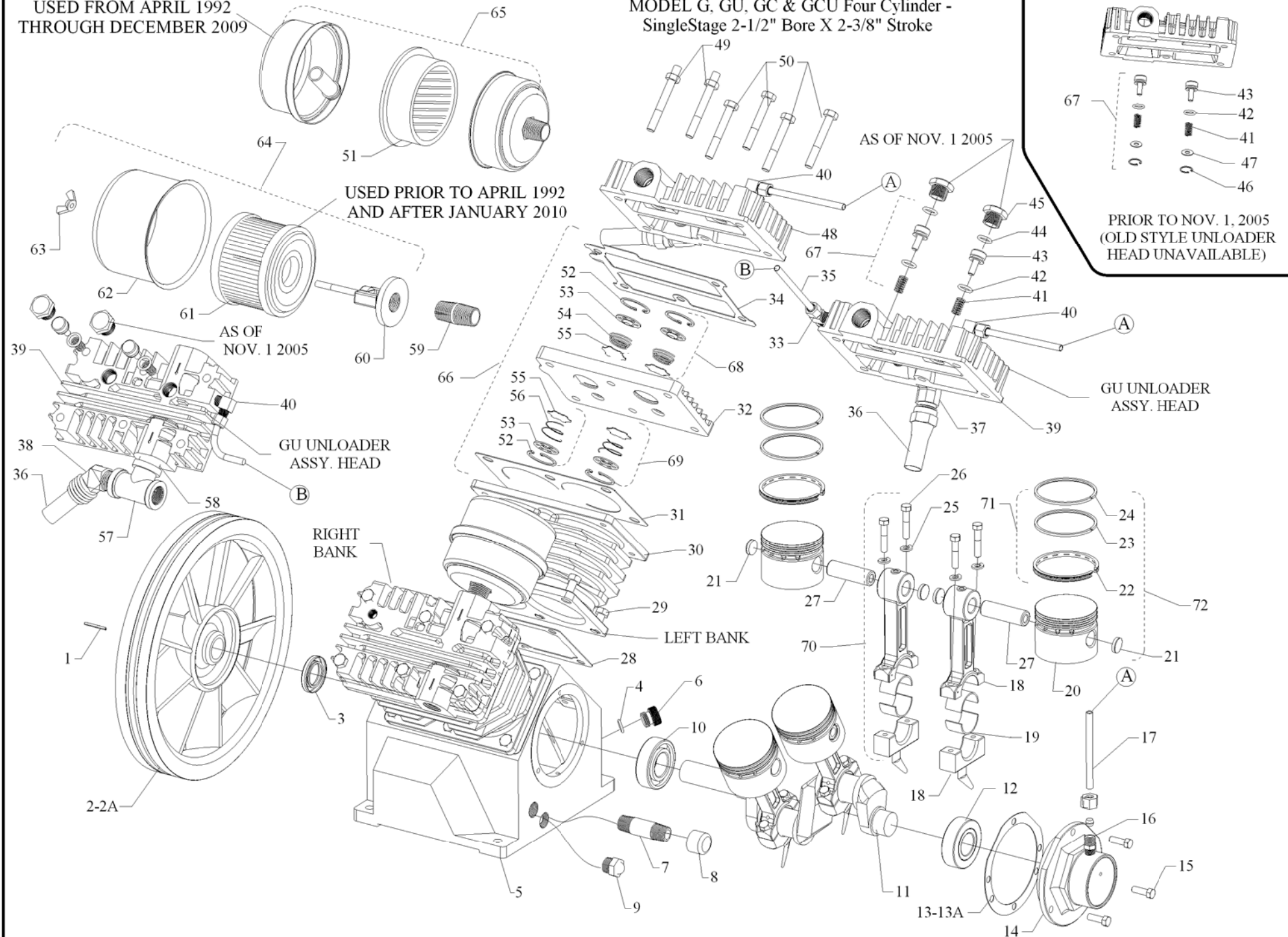


USED FROM APRIL 1992  
THROUGH DECEMBER 2009

MODEL G, GU, GC & GCU Four Cylinder -  
SingleStage 2-1/2" Bore X 2-3/8" Stroke



## Parts List for Model G Assembly

NOTE: The quantity number indicates the total number of pieces required for a complete unit repair.  
When ordering parts give compressor model, serial number and part number. Order assemblies when possible.

<u>REF. NO.</u>	<u>PART NO.</u>	<u>DESCRIPTION</u>	<u>QTY.</u>
1	120-1163	PIN,ROLLED,COILED,STL,BLK,1/4ODX1L,K25	1
2	610-1421	FLYWHEEL,G PUMP,CI,10-3/8,2 GROOVE,L23A	1
2A	610-1422	FLYWHEEL,GT PUMP,CI,13-1/4,2 GROOVE,G23	1
3	150-1036	SEAL,OIL,LIP,SINGLE,0.875 DIA,K11E	1
4	104-1016	RING,O,BUNA-N,5/8"IDX13/16"ODX3/32"THK	1
5	610-1440	CRANKCASE,G PUMP,CI,MACHINED,Y1A	1
6	610-1029	PLUG,CRANKCASE,FILL,OIL,W/O-RING,K14	1
7	122-1037	NIPPLE,STEEL,SCH 40,3/8" X 2" L	1
8	122-1084	CAP,FEMALE,MI,3/8"NPT	1
9	160-1052	GAUGE,SIGHT,LEVEL,OIL,1/2"NPT	1
10	150-1000	BEARING,BALL,K9	1
11	610-1429	CRANKSHAFT,G PUMP,CI,MACHINED,D20	1
12	150-1008	BEARING,BALL,L9	1
13	104-1000-01	GASKET,CAP,BEARING,F&K&G PUMP,1/32THK,L3	1
13A	104-1000-02	GASKET,CAP,BEARING,F&K&G PUMP,1/64THK,L4	1
14	610-1431	CAP,BEARING,L PUMP,CI,3 HOLES,PAINTED,L2	1
15	120-1004	SCREW,CAP,HEXHD,GR5,ST,BLK,1/4-20X3/4	3
16	121-1025	CONNECTOR,MALE,COMPRESSION,BR,1/4TBX1/8"	1
17	610-1137	TUBE,BREATHER,CU,BENT,MGU&GCU&GTU,L18	1
18	310-1001-02	ROD,CONNECTING,WO/BRNG INSERT,L21L&L21K	4
19	150-1011	BEARING,ROD,CONNECTING,PUMP,F,K,G	8
20	220-1005	PISTON,PUMP,ALUMINUM,MACHINED,K32	4
21	104-1103	BUMPER,WRIST PIN,PLASTIC,K36A	8

## Parts List for Model G Assembly

NOTE: The quantity number indicates the total number of pieces required for a complete unit repair.  
When ordering parts give compressor model, serial number and part number. Order assemblies when possible.

<u>REF. NO.</u>	<u>PART NO.</u>	<u>DESCRIPTION</u>	<u>QTY.</u>
22	610-1065	RING,OIL,ASSY,K34	4
23	150-1013	RING,COMPRESSION,PISTON,W/TPR HK,EBA 33	4
24	150-1003	RING,COMPRESSION,PISTON,STEEL,EBA 22,K33	4
25	120-1068	WASHER,LOCK,SPLIT,ST,BLK,HIGH CLLR,1/4"	8
26	120-1010	SCREW,CAP,HEXHD,GR5,ST,BLK,1/4-20X1-1/4	8
27	150-1005	PIN,PISTON,STEEL,HARDENED,K35	4
28	104-1006	GASKET,CYLINDER,K&G&W PUMP,1/32THK,K31	2
29	120-1017	SCREW,CAP,HEXHD,GR5,ST,BLK,5/16-18X3/4 (15FT-LB)	12
30	360-1150	CYLINDER,K PUMP,CI,PAINTED,BLUE,K30	2
31	104-1007	GASKET,PLATE,VALVE,K&G&W PUMP,1/32TK,L41	2
32	610-1396	PLATE,VALVE,L PUMP,CI,PAINTED,BLUE,L40	2
33	121-1039	TEE,BRANCH,BRASS,1/4"TBX1/4"TBX1/8"NPTM	1
34	104-1008	GASKET,HEAD,K&G&W PUMP,1/32THK,L51	2
35	610-1121	TUBING,UNLOADER,HEAD-HEAD,MGU PUMP,LU88	1
36	610-1334	TUBE,MANIFOLD,COPPER,G,W/NUT,5/8,MS,MG59	1
37	121-1015	ELBOW,MALE,BRASS,5/8-45SAEX1/2"NPTM	1
38	121-1021	ELBOW,BRASS,MALE,45DEG,5/8-45SAEX1/2"NPT	1
39	310-1008	HEAD,UNLOADING,K&G,W/1/2"PRT 7 HLE,LU180	2
40	121-1032	ELBOW,MALE,COMPRESSION,BR,1/4TBX1/8"NPTM	2
41	150-1020	SPRING,VALVE,UNLOADER,INTAKE, KU83	4
42	104-1020	RING,O,SILICON,7/16"IDX5/8"ODX3/32"THK	4
43	150-1028	PISTON,UNLOADER,VALVE,BRASS,KU81	4
44	104-1015	RING,O,BUNA-N,1/2"IDX11/16"ODX3/32"THK	4

## Parts List for Model G Assembly

NOTE: The quantity number indicates the total number of pieces required for a complete unit repair.  
When ordering parts give compressor model, serial number and part number. Order assemblies when possible.

<u>REF. NO.</u>	<u>PART NO.</u>	<u>DESCRIPTION</u>	<u>QTY.</u>
45	122-1051	PLUG,HEX ,BRASS,11/16-16 UN-2B X .550	4
46	120-1167	RETAINER,INTERNAL,ST,0.035X 0.665,KU85	4
47	150-1042	WASHER,BRASS,1/32X 0.605ODX1/4 ID,KU84	4
48	310-1004	HEAD,START/STOP,G PUMP,REPLACEMNT,L50	2
49	120-1252	BOLT,STUD,HEX,ST,5/16-18X2-1/4X5/8,K52-1	2
50	120-1028	SCREW,CAP,HEXHD,GR5,ST,BLK,5/16-18X2-1/4	10
51	150-1104	ELEMENT,FILTER,AIR,COMPRESSOR,JENNY,G54E	2
52	150-1041	RETAINER,VALVE,STEEL,PAS,0.062"THK,K43	8
53	109-1010	VALVE,BUMPER,STEEL,K44	8
54	150-1018	SPRING,CONE,SS,VALVE,DISCHARGE,K46	4
55	109-1011	VALVE,DISC,STAINLESS STEEL,K47	8
56	150-1017	SPRING,CONE,SS,VALVE,INTAKE,K45	4
57	122-1060	TEE,FEMALE,MI,PLTD,1/2"NPT	1
58	122-1042	NIPPLE,CLOSE,STEEL,SCH 80,1/2"NPTM	1
59	122-1144	NIPPLE,CLOSE,STEEL,SCH 80,PLATED,1/2"	2
60	104-1102	BRACKET,FILTER,AIR,NYLON,BLACK,L53	2
61	150-1010	ELEMENT,FILTER,AIR,COMPRESSOR,JENNY,L54E	2
62	320-1006	COVER,FILTER,W/DECALS,L54	2
63	120-1104	NUT,WING,ST,FORGED,PLATED,1/4-20, L55	2
		<b>Assemblies</b>	
64	320-1000	FILTER,W/DECAL,ASSY,L154 INCLUDES 60, 61, 62, 63	2
65	320-1121	FILTER,W/DECALS,ASSY,G154S	2
66	610-1045	PLATE,VALVE,W/VALVES,ASSY,L140 INCLUDES 31, 32, 34, 68(2), 69(2)	2

## Parts List for Model G Assembly

NOTE: The quantity number indicates the total number of pieces required for a complete unit repair.  
When ordering parts give compressor model, serial number and part number. Order assemblies when possible.

<u>REF. NO.</u>	<u>PART NO.</u>	<u>DESCRIPTION</u>	<u>QTY.</u>
67	610-1042	VALVE,UNLOADER,HEAD,PUMP,ASSY, KU181 INCLUDES 41, 42, 43, 44, 46, 47	4
68	610-1032	VALVE,DISCHARGE,ASSY,K146 INCLUDES 52, 53, 54, 55	4
69	610-1031	VALVE,SUCTION,ASSY,K145 INCLUDES 52, 53, 55, 56	4
70	610-1411	ROD,CONNECTING,W/BEARNG INSERT,L21L&L21K INCLUDES 18, 19(2), 25(2), 26(2)	4
71	610-1020	KIT,PUMP,RING,PISTON,F&K&G&W PUMP,K133 INCLUDES 22(2), 23(2), 24(2)	2
72	610-1028	PISTON,W/RINGS&PIN,ASSY,K132 INCLUDES 20, 21(2), 22, 23, 24	4
73	610-1044	KIT,GASKET,L PUMP,ASSY,L100 13, 13A, 28(2), 31(2), 34(2)	1
NOT SHOWN	610-1298	KIT,BASIC,REPAIR,G PUMP,G101 INCLUDES 51(2), 68(4), 69(4), 71(2), 73	1
NOT SHOWN	610-1297	KIT,BASIC,REPAIR,GU&GCU PUMP,GU101 INCLUDES 51(2), 67, 68(4), 69(4), 71(4), 73	1
NOT SHOWN	105-1209	OIL,PUMP,SYNTHETIC,BLUE,1 QUART,ESQ	1
NOT SHOWN	610-1226	KIT,FILTER,ASSY,G154,PKG OF 4,G154P	1
NOT SHOWN	610-1186	KIT,ELEMENT,FILTER,L54E,PKG OF 4,L54EP	1