

NOTE: These are not connection screws. NEVER turn these screws; doing so will void the warranty. They have been pre-adjusted at the factory for proper operation of the pressure switch.

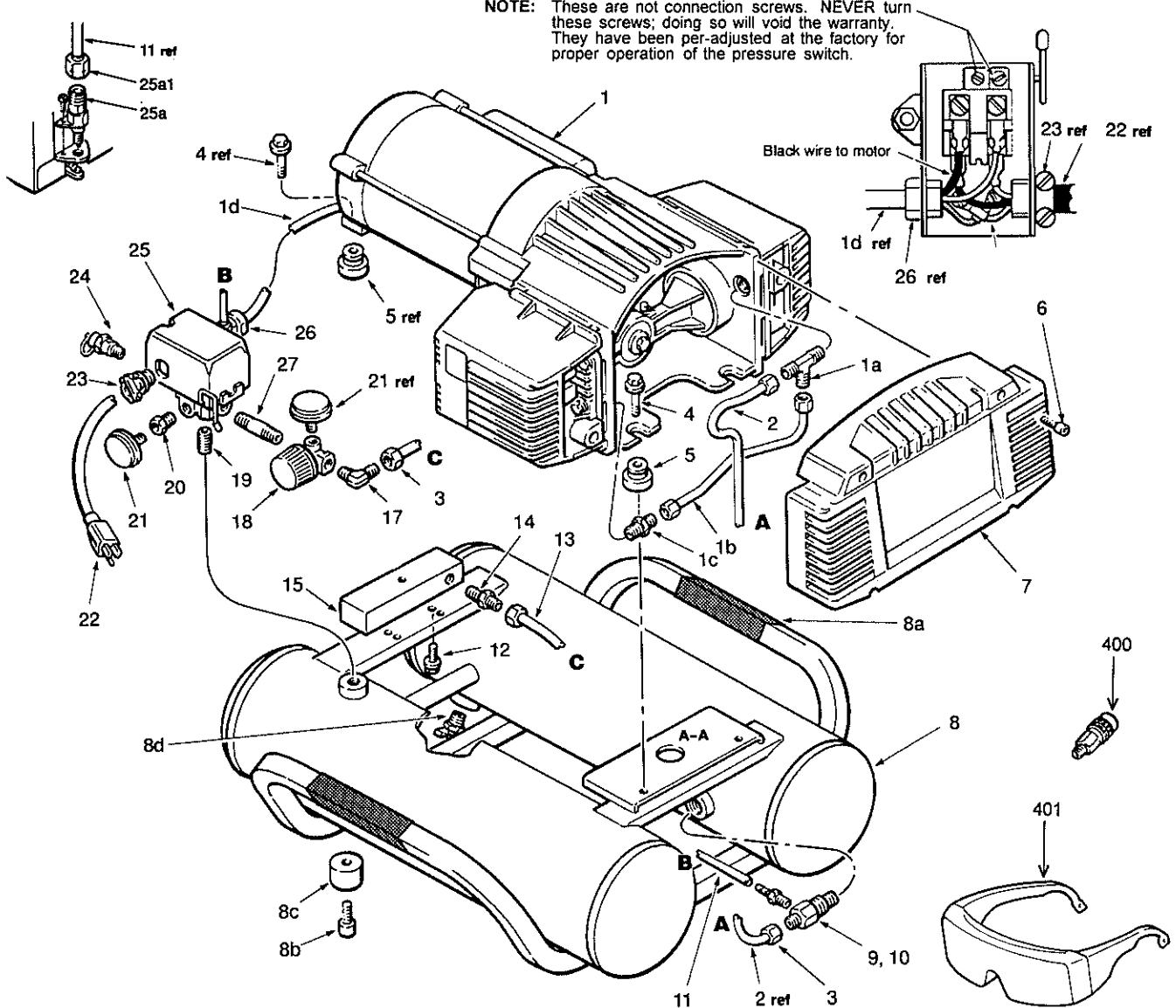
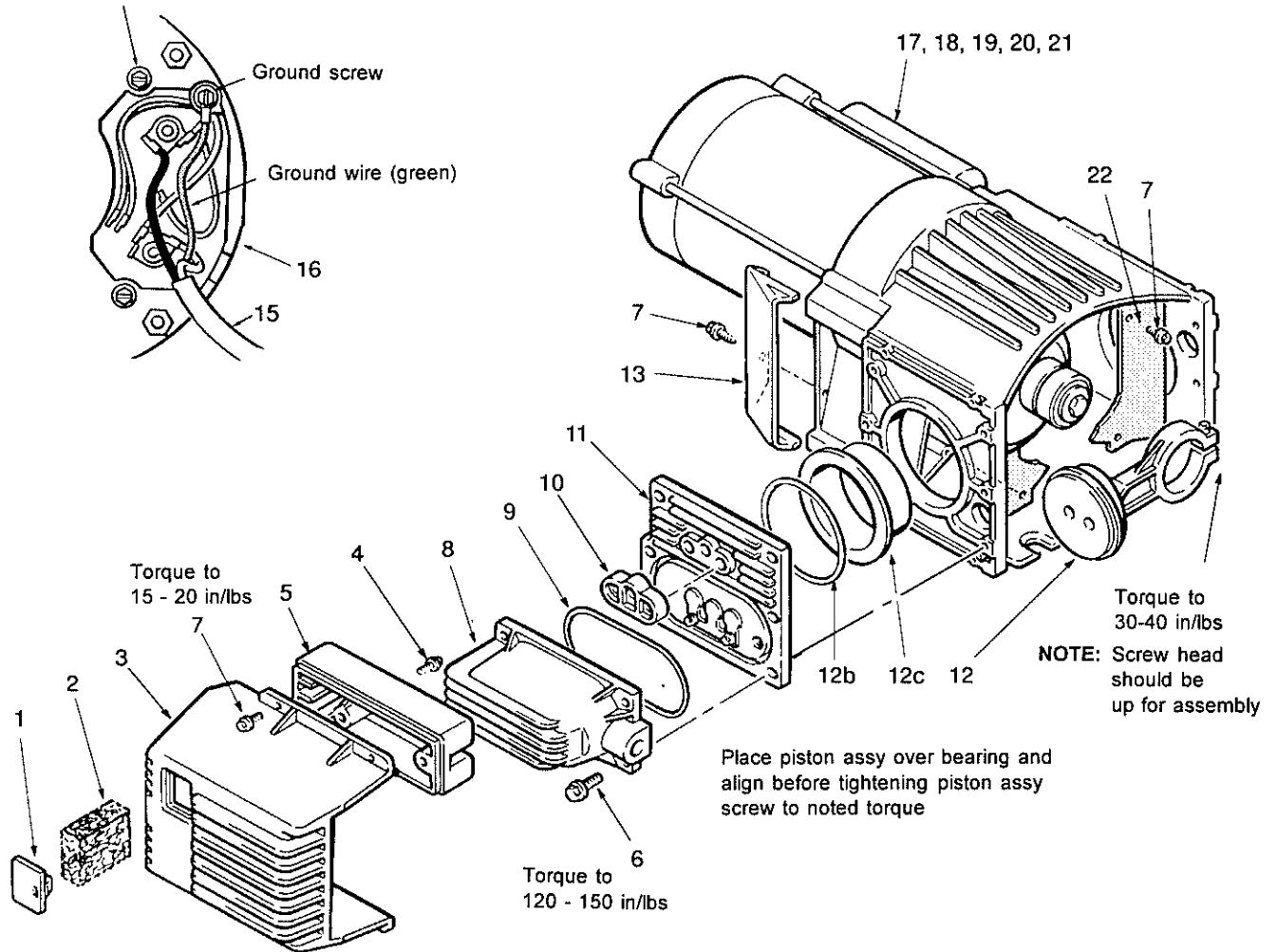


Fig.	Part No.	Qty. Used	Description	Fig.	Part No.	Qty. Used	Description
1	040027-1	1	3 HP PUMP/MOTOR ASS'Y (Incl. Fig.1a, 1b, 1c, 1d)	12	059021-6	2	SCREW, 1/4" - 20x.50
1a	069001-9	1	TEE (Incl. 2ea Fig. 3)	13	145028-1	1	REGULATOR/OUTLET TUBE
1b	145023-5	1	CROSSOVER TUBE	14	068001-7	1	CONNECTOR
1c	068001-7	1	CONNECTOR (Incl. 1 ea Fig. 3)	15	041003-3	1	MANIFOLD
1d	026022-1	1	INTERCONNECT CORD	17	064000-5	1	ELBOW
2	145027-9	1	TRANSFER TUBE	18	019016-7	1	REGULATOR
3	058000-7	4	NUT	19	065003-1	1	NIPPLE, 1/4 NPT
4	059022-1	3	SHOULDER BOLT, 1/4-28	20	063002-3	1	BUSHING, 1/4x1/8
5	093002-2	3	GROMMET	21	032005-2	2	GAUGE, 200 PSI
6	061007-4	4	SCREW, #8-32x1	22	026022-2	1	POWER CORD
7	077013-0	1	SHROUD	23	071000-2	1	STRAIN RELIEF, 3/8
8	150003-7	1	TANK ASS'Y, 5 Gallon (Incl. Fig. 8a-8d)	24	136003-7	1	VALVE, 135 PSI
8a	093002-6	1	HANDLE GRIP	25	034011-7	1	PRESSURE SWITCH (Incl. Fig. 11a)
8b	061000-5	4	SCREW #10x3/4	26	071000-8	1	STRAIN RELIEF
8c	094002-6	4	FOOT	27	065000-5	1	NIPPLE, 1/4 NPT
8d	072000-1	2	PETCOCK				
9	031003-7	1	CHECK VALVE	ACCESSORIES			
10	068050-6	1	CONNECTOR	400	036003-1	1	COUPLER
11	145027-3	1	BLEEDER TUBE	401	1922-A	1	PROTECTIVE EYE WEAR

Motor / Pump Assembly

NOTE: Loosen (2) screws to remove plate



NOTE: Disassemble this side of pump last.
Assemble this side first when reassembling.

IMPORTANT! — To assure product SAFETY and RELIABILITY, repairs, maintenance or adjustments should be performed by MAKITA Service Centers, or other qualified service organizations. Always use MAKITA replacement parts.

Fig.	Part No.	Qty. Used	Description	Fig.	Part No.	Qty. Used	Description
1	077011-8	2	COVER	12b	054015-8	1	O-RING
2	019015-2	2	FILTER	12c	*	1	CYLINDER
3	077013-6	2	COVER	13	056003-7	1	DEFLECTOR
4	061006-0	4	SCREW, #8-32x.75	15	026022-1	1	INTERCONNECT CORD
5	019015-1	2	INTAKE MANIFOLD	16	077013-7	1	TERMINAL COVER
6	061006-2	12	SCREW, 1/4-20x1.12	17	166005-5	1	START CAPACITOR
7	061006-1	16	SCREW, #8-32x.38	18	166002-9	1	COVER
8	117000-9	2	EXHAUST MANIFOLD	19	166006-0	1	RUN CAPACITOR
9	054015-7	2	EXHAUST O RING	20	166002-8	1	COVER
10	046023-1	2	INTAKE SEAL	21	071000-8	1	STRAIN RELIEF
11	043015-1	2	VALVE PLATE ASS'Y	22	065000-5	1	1/4 NPT NIPPLE
12	048007-4	2	PISTON & CYLINDER ASS'Y (Incl. Fig. 12b, 12c)				