

PARTS LIST

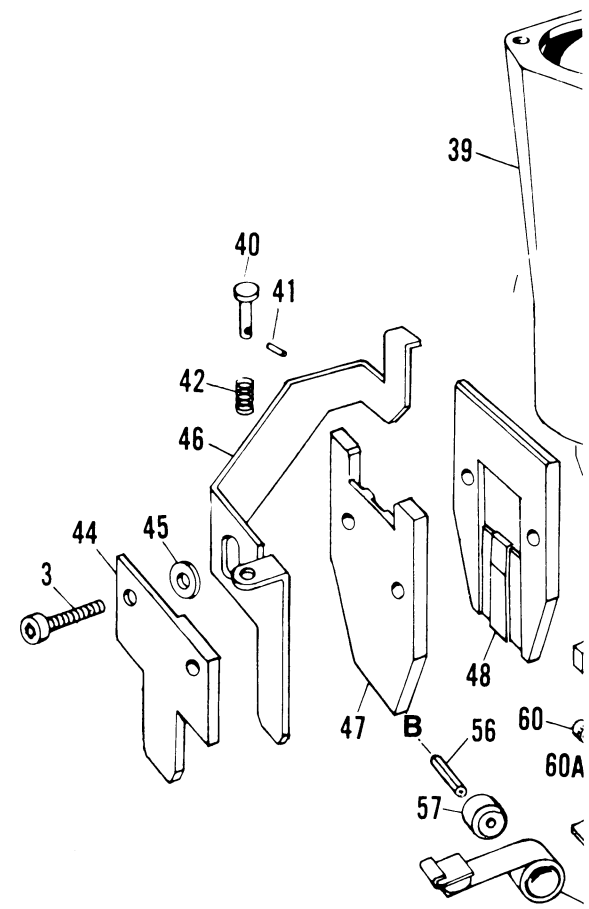
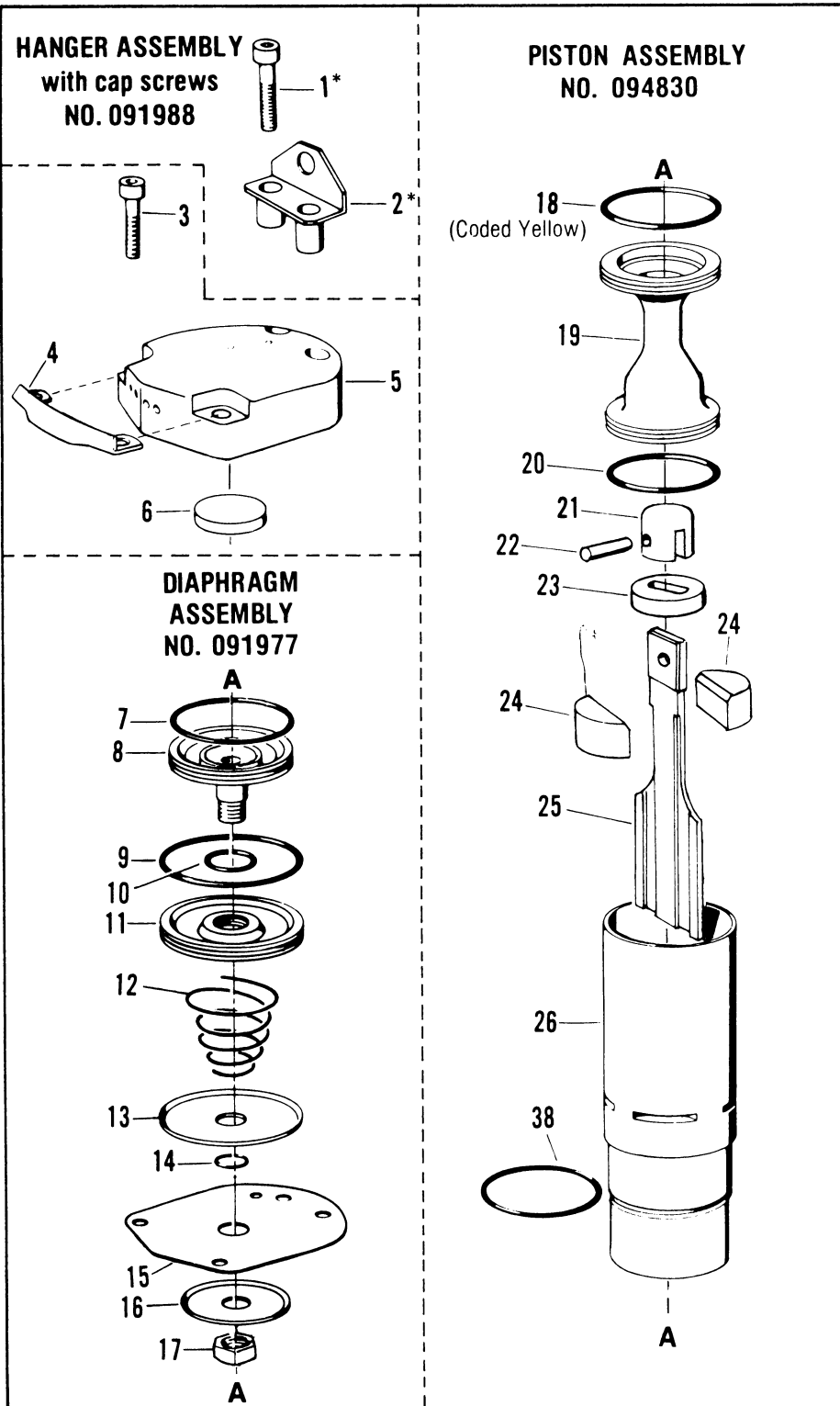
When ordering parts, please show tool model, part number and name.
Standard hardware items listed are available at any local hardware supply.

*Optional parts.

Recommended spare parts are in **bold face type**

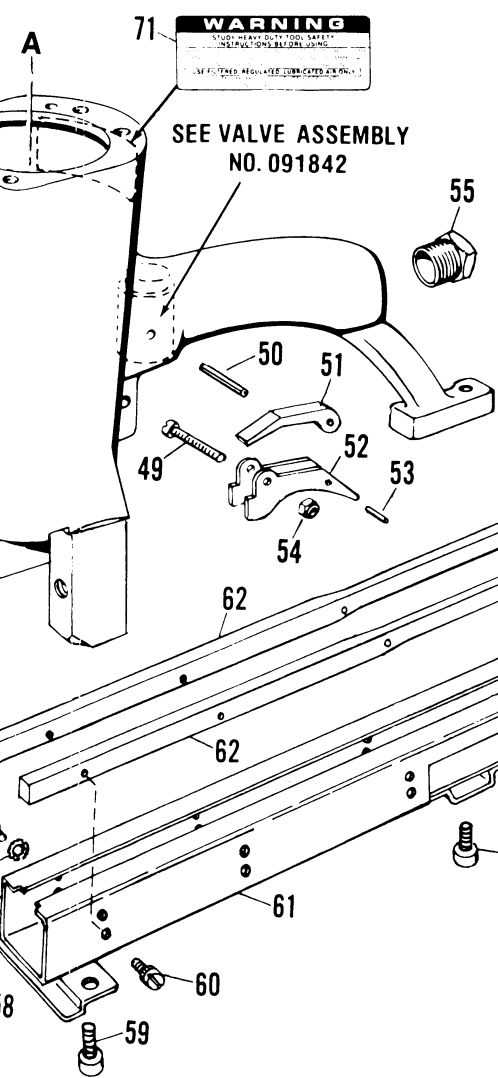
Normal wearing parts are underlined

KEY NO.	PART NAME	QTY.	PART NO.
1*	Soc. Hd. Cap Screw 1/4-20 x 1 1/2	2	091362
2*	Hanger Assembly	1	091566
3	Soc. Hd. Cap Screw 1/4-20 x 1"	6	091592
4	Deflector	1	091912
5	Cap	1	091502
6	Bumper, Cap	1	091503
7	"O" Ring	1	091540
8	Piston, Cap	1	091504
9	"O" Ring	1	091542
10	"O" Ring	1	092709
11	Seal, Cap	1	091505
12	Spring, Diaphragm	1	090495
13	Plate, Diaphragm	1	091506
14	"O" Ring	1	091623
15	Diaphragm	1	094736
16	Washer, Diaphragm	1	091508
17	Flexloc Thin Nut 3/8-24	1	091544
18	<u>"O" Ring (Coded Yellow)</u>	1	091538
19	Piston	1	094822
20	<u>"O" Ring</u>	1	091986
21	Insert, Piston	1	094823
22	Grooved Pin	1	092778
23	Insert	1	094824
24	Bumper	2	091779



KEY NO.	PART NAME	QTY.	PART NO.
25	Driver Blade	1	094802
26	Sleeve	1	091509
27	"O" Ring	1	091624
28	Insert, Valve	1	091519
29	"O" Ring	1	095419
30	Pin, Valve	1	091518
30A	Spring, Seat Retainer	1	096110
31	Seat, Valve	1	091520
32	Roll Pin, 1/16 x 5/8	1	095420
33	"O" Ring	2	091541
34	Body, Valve	1	091517
35	Spring, Valve Button	1	091523
36	Button, Valve	1	091816
37	Spirolox Retaining Ring	1	091555
38	"O" Ring	1	091208
39	Cylinder	1	094801
40	Pin, Safety	1	091573
41	Roll Pin 3/32 x 1/2	1	091551
42	Spring	1	091574
44	Guide	1	094803
45	Washer	1	091572
46	Work Contacting Element	1	094804
47	Front Guide	1	094805
48	Back Plate	1	094806

KEY NO.	PART NAME	QTY.	PART NO.
49	Pin Trigger	1	091821
50	Roll Pin 5/32 x 1-1/8	1	091550
51	Lever, Trigger	1	091817
52	Trigger	1	091818
53	Roll Pin 3/32 x 5/8	1	091880
54	Flexloc Thin Nut 8—32	1	091363
55	Reducing Pipe Bushing	1	091622
56	Roll Pin 3/16 x 5/8	1	008919
57	Drum	1	091534
58	Negator Assembly	1	094807
59	Soc. Hd. Cap Screw 1/4-20 x 1/2	4	009098
60	Soc. Hd. Cap Screw 8-32 x 1/4	8	014546
60A	Internal Tooth Lockwasher	8	006562
61	Magazine Assembly	1	094810
62	Height Adjustment Rail	2	094819
63	Latch	1	094820
64	Roll Pin 3/32 x 3/8	1	004998
65	Spring	1	007741
66	Flexloc Thin Nut 10-32	1	091732
67	Follower Assembly	1	094813
68	Spacer, Magazine	1	094821
69	Soc. Hd. Cap Screw 10-32 x 1 1/2	1	013566
70	Washer 3/16 x 7/16 x 3/64	1	023089
71	Warning Label	1	096120



! WARNING
All parts must be periodically inspected and replaced if worn or broken. Failure to do this can affect the tool's operation and present a safety hazard.

VALVE ASSEMBLY NO. 091842

