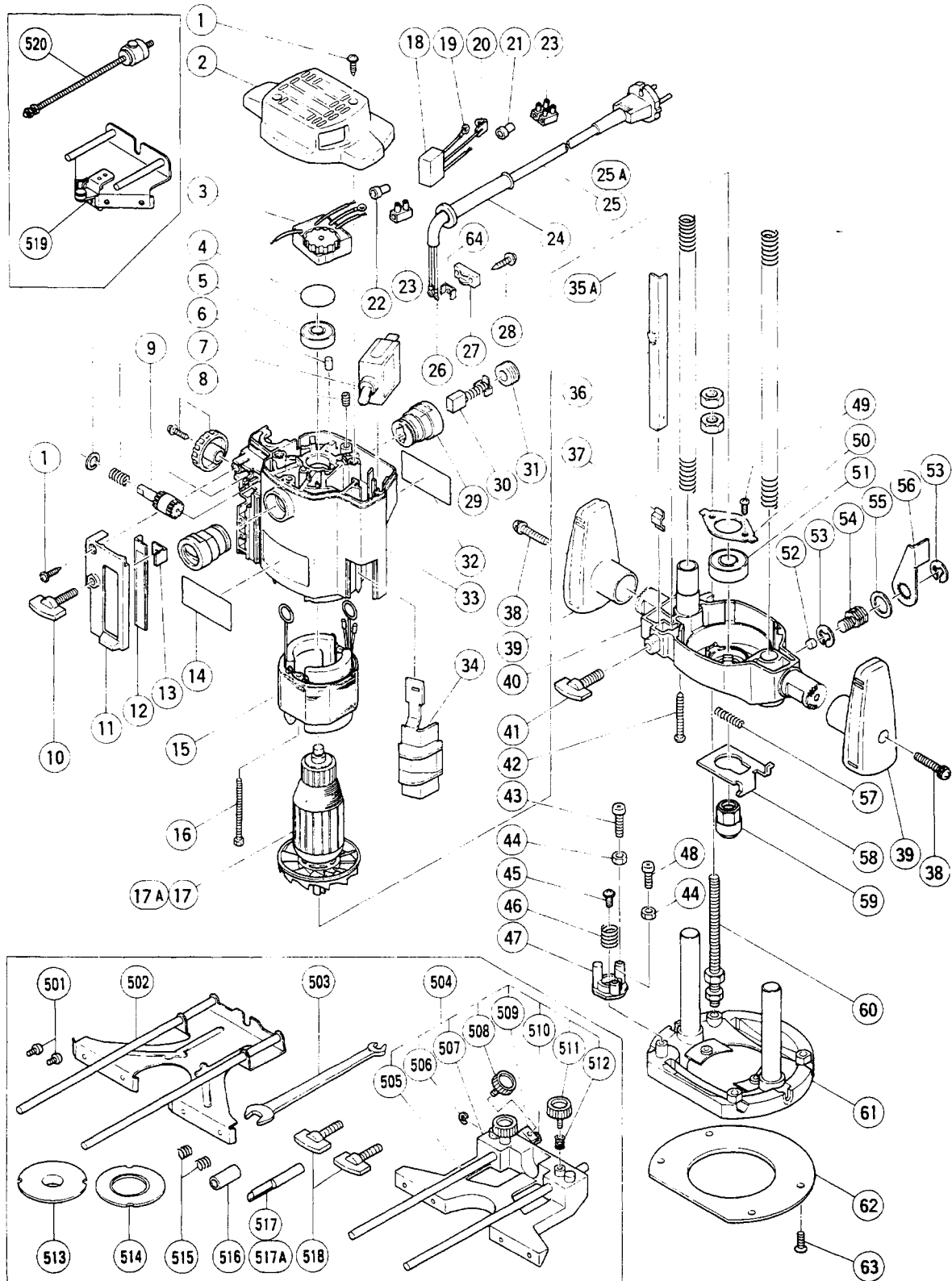


ELECTRIC TOOL PARTS LIST

■ ROUTER
Model M 8V

1993 · 10 · 1
(E4)



PARTS

M 8V

ITEM NO.	CODE NO.	DESCRIPTION	NO. USED	REMARKS	
1	301-653	TAPPING SCREW (W/FLANGE) D4X20 (BLACK)	3		
2	302-195	TOP COVER (B)	1		
*	3	302-199	CONTROLLER CIRCUIT 110V - 127V	1	
*	3	302-198	CONTROLLER CIRCUIT 220V - 240V	1	
4	971-835	BEARING SEAL	1		
5	608-VVM	BALL BEARING 608VVMC2EPS2L	1		
6	931-701	BEARING LOCK	1		
7	955-509	SWITCH (1P SOLDER TYPE)	1		
8	938-477	HEX. SOCKET SET SCREW M5X8	2		
9	301-798	KNOB PINION	1		
10	301-801	WING BOLT M6X27	1		
11	302-183	FRONT COVER	1		
*	12	301-824	SCALE (MM)	1	
*	12	301-825	SCALE (INCH)	1	FOR USA,CAN
13	301-800	SCALE STOPPER	1		
14		HITACHI LABEL	1		
*	15	340-193C	STATOR 110V - 115V	1	
*	15	340-193D	STATOR 127V	1	
*	15	340-193E	STATOR 220V - 230V	1	
*	15	340-193F	STATOR 240V	1	
*	15	340-193G	STATOR 220V	1	FOR SWE,AUS,NOR,FIN
*	15	340-193H	STATOR 240V	1	FOR GBR
*	15	340-193J	STATOR 110V	1	FOR GBR
16	960-251	HEX. HD. TAPPING SCREW D5X65	2		
*	17A	360-166U	ARMATURE ASS'Y 110V - 115V	1	INCLUD.5,51
*	17	360-166D	ARMATURE 127V	1	
*	17	360-166E	ARMATURE 220V - 230V	1	
*	17	360-166F	ARMATURE 240V	1	
*	18	994-273	NOISE SUPPRESSOR	1	
*	19	980-063	TERMINAL	1	FOR NOISE SUPPRESSOR
*	20	993-853	EARTH WASHER D5	1	FOR NOISE SUPPRESSOR
21	959-141	CONNECTOR 50092 (10 PCS.)	1		
22	959-140	CONNECTOR 50091 (10 PCS.)	1		
*	23	938-307Z	PILLAR TERMINAL	1	
*	23	958-308Z	PILLAR TERMINAL (A)	1	FOR FIN,SWE,AUS,NOR,SUI
*	24	953-327	CORD ARMOR D8.8	1	
*	24	938-051	CORD ARMOR D10.1	1	
*	25	500-201Z	CORD	1	(CORD ARMOR D10.1)
*	25	500-234Z	CORD	1	(CORD ARMOR D8.8) FOR ITA,FRG,FRA, HOL,DEN,INA
*	25	500-247Z	CORD	1	(CORD ARMOR D10.1) FOR FIN,SWE,AUS, NOR
*	25	500-237Z	CORD	1	(CORD ARMOR D8.8) FOR GBR (110V)
*	25	500-248Z	CORD	1	(CORD ARMOR D10.1) FOR SUI
*	25	500-240Z	CORD	1	(CORD ARMOR D8.8) FOR USA,CAN
*	25	500-245Z	CORD	1	(CORD ARMOR D10.1) FOR SYR
*	25	500-223Z	CORD	1	(CORD ARMOR D10.1) FOR KUW
*	25	500-423Z	CORD	1	(CORD ARMOR D8.8) FOR SAU
*	25	500-226Z	CORD	1	(CORD ARMOR D8.8) FOR NZL,NGU,AUT
*	25	500-231Z	CORD	1	(CORD ARMOR D8.8) FOR SAF
*	25A	500-435Z	CORD	1	(CORD ARMOR D8.8) FOR GBR (240V)

*: ALTERNATIVE PARTS

PARTS

M 8V

ITEM NO.	CODE NO.	DESCRIPTION	NO. USED	REMARKS
* 26	992-810	TERMINAL	1	FOR FIN,SWE,AUS,NOR,SUI
* 26	980-063	TERMINAL	1	FOR USA,CAN
27	937-631	CORD CLIP	1	
28	984-750	TAPPING SCREW (W/FLANGE) D4X16	2	
29	981-586	BRUSH HOLDER	2	
30	999-043	CARBON BRUSH (1 PAIR)	2	
31	961-781	BRUSH CAP	2	
32		NAME PLATE	1	
33	302-181	HOUSING ASS'Y	1	INCLUD.8,29
34	302-184	LEVER	1	
35A	971-853	SPRING	2	
36	302-182	STOPPER POLE	1	
37	301-805	STOPPER PIECE	1	
38	986-274	MACHINE SCREW (W/WASHERS) M5X25	2	
39	301-813	HANDLE	2	
40	302-185	END BRACKET	1	
41	301-806	WING BOLT M6X15	1	
42	931-554	TAPPING SCREW D5X50	4	
43	302-316	MACHINE SCREW M5X25 (BLACK)	1	
44	302-012	NUT M5 (BLACK)	2	
45	997-465	SELF TAPPING SCREW (W/WASHER) D4X12	1	
46	971-858	SPRING (A)	1	
47	302-191	STOPPER BLOCK	1	
48	302-317	MACHINE SCREW M5X16 (BLACK)	1	
49	949-216	MACHINE SCREW M4X10 (10 PCS.)	2	
50	302-188	BEARING COVER	1	
51	620-0VV	BALL BEARING 6200VVCMP52S	1	
52	971-848	LOCK PIECE	1	
53	670-514	RETAINING RING (E - TYPE) FOR D10 SHAFT	2	
54	971-847	LOCK SCREW	1	
55	971-846	WAVE WASHER	1	
56	956-786	LOCK LEVER	1	
57	302-187	SPRING	1	
58	302-186	LOCK PLATE	1	
* 59	302-193	COLLET CHUCK 8MM	1	
* 59	302-194	COLLET CHUCK 6.35MM	1	FOR NZL,AUS,GBR,SUI,USA,CAN,GRE,KUW, NGU,INA,SYR
60	302-315	SCREW M8	1	
61	302-189	BASE	1	
62	302-190	SUB BASE	1	
63	992-013	SEAL LOCK FLAT HD. SCREW M5X14	4	
* 64	500-326	SPECIAL WASHER	2	FOR GBR

*: ALTERNATIVE PARTS

STANDARD ACCESSORIES

M 8V

ITEM NO.	CODE NO.	DESCRIPTION	NO. USED	REMARKS
501	949-234	MACHINE SCREW M5X6 (10 PCS.)	2	
502	971-851	PARALLEL GUIDE	1	
503	971-859	WRENCH 8/13MM	1	
* 504	971-620	STRAIGHT GUIDE (A) ASS'Y	1	INCLUD.505 - 512 FOR GBR,FRA,SUI
* 505	971-622	GUIDE BAR	2	FOR GBR,FRA,SUI
* 506	942-827	RETAINING RING (E - TYPE) FOR D8 SHAFT	1	FOR GBR,FRA,SUI
* 507	971-621	STRAIGHT GUIDE (A)	1	FOR GBR,FRA,SUI
* 508	961-516	KNOB BOLT M6X7	1	FOR GBR,FRA,SUI
* 509	956-917	SCREW HOLDER	1	FOR GBR,FRA,SUI
* 510	971-623	FEED SCREW (A)	1	FOR GBR,FRA,SUI
* 511	960-058	KNOB BOLT M6X17	2	FOR GBR,FRA,SUI
* 512	947-859	LOCK SPRING	2	FOR GBR,FRA,SUI
513	956-790	TEMPLATE GUIDE D18	1	
514	956-756	TEMPLATE GUIDE ADAPTER	1	
515	947-859	LOCK SPRING	2	
* 516	971-852	CHUCK SLEEVE 8X6	1	FOR FRG,FRA,HOL,AUT
* 517	971-878	STRAIGHT BIT (TCT) 1/4"X1/4"	1	DEPENDING ON ORDER SPEC.
* 517A	956-808	STRAIGHT BIT (TCT) D8X8	1	DEPENDING ON ORDER SPEC.
518	301-806	WING BOLT M6X15	2	
519	971-868	TRIMMER GUIDE	1	
520	971-864	FEED SCREW	1	

OPTIONAL ACCESSORIES

ITEM NO.	CODE NO.	DESCRIPTION	NO. USED	REMARKS
601	997-466	DUST COLLECTION ADAPTER SET	1	INCLUD.602,603
602	997-467	KNOB NUT	2	
603	949-237	MACHINE SCREW M5X12 (10 PCS.)	2	
604	303-347	TEMPLATE GUIDE D9.5	1	
605	303-348	TEMPLATE GUIDE D10	1	
606	303-349	TEMPLATE GUIDE D11.1	1	
607	303-350	TEMPLATE GUIDE D12	1	
608	303-351	TEMPLATE GUIDE D12.7	1	
609	303-352	TEMPLATE GUIDE D14	1	
610	303-353	TEMPLATE GUIDE D18	1	
611	303-354	TEMPLATE GUIDE D24	1	
612	303-355	TEMPLATE GUIDE D40	1	
613	302-737	SUB BASE	1	(I.D30,TRANSPARENCY)

* : ALTERNATIVE PARTS