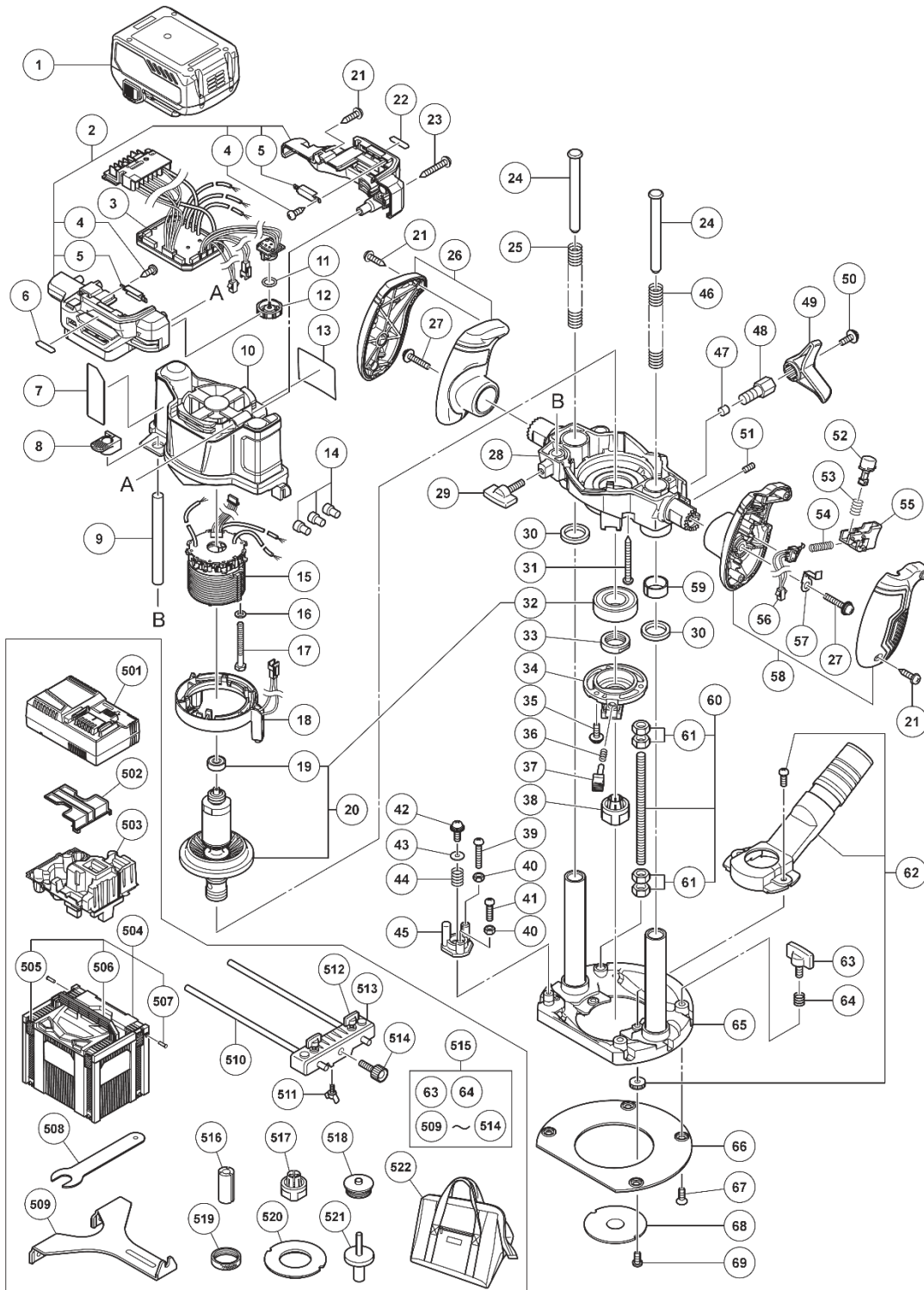


## ELECTRIC TOOL PARTS LIST

CORDLESS ROUTER  
MODEL M 3612DA

2022 • 06 • 07  
(E2)



Rev.1

MODEL  
M3612DA

## PARTS

M3612DA

ITEM NO.	CODE NO.	DESCRIPTION	NO. USED	REMARKS
1	371751M	BATTERY BSL 36A18 (USA.CAN)	1	INCLUD.502
2	376819	BUTTERY HOLDER ASS'Y	1	INCLUD.4.5
3	376836	CONTROLLER ASS'Y (A)	1	INCLUD.18.56
4	376785	TAPPING SCREW D2.6X8	4	
5	376758	BATTERY PLATE	2	
6	373913	MV LABEL (A)	1	
7	376839	SCALE	1	
8	323287	MARKER	1	
9	376827	STOPPER POLE	1	
**10	376816M	HOUSING	1	FOR USA.CAN
11	987105	O-RING (S-10)	1	
12	376840	DIAL	1	
13		NAME PLATE	1	
14	959141	CONNECTOR 50092 (10 PCS.)	3	
15	341083	STATOR SENSOR PCB	1	
16	323210	BOLT WASHER M4 (BLACK)	2	
17	981824	HEX. HD. TAPPING SCREW D4X45	2	
18	376841	LED	1	
19	606ZZM	BALL BEARING 606VV	1	
20	361156	ROTER ASS'Y	1	INCLUD.19.32
21	307811	TAPPING SCREW (W/FLANGE) D4X16 (BLACK)	7	
22	373914	MV LABEL (B)	1	
23	305490	TAPPING SCREW (W/FLANGE) D4X30 (BLACK)	1	
24	325180	SPRING GUIDE	2	
25	376828	SPRING	1	
26	376821	HANDLE L SET	1	
27	307384	MACHINE SCREW (W/WASHERS) M6X25 (BLACK)	2	
28	376825	END BRACKET	1	
29	322959	WING BOLT M6X22	1	
30	323426	FELT	2	
31	307100	TAPPING SCREW D5X50	4	
32	6004T1	BALL BEARING 6004T1XVV	1	
33	325186	THRUST NUT	1	
34	325185	BEARING COVER	1	
35	935196	MACHINE SCREW (W/WASHERS) M4X12 (BLACK)	3	
36	325183	LOCK SPRING (A)	1	
37	325182	PUSHING BUTTON	1	
**38	377014	COLLET CHUCK (A) 12.7MM	1	
39	302316	MACHINE SCREW M5X25 (BLACK)	1	
40	302012	NUT M5 (BLACK)	2	
41	302317	MACHINE SCREW M5X16 (BLACK)	1	
42	317200	MACHINE SCREW (W/WASHERS) M4X8 (BLACK)	1	
43	323282	WASHER	1	
44	971858	SPRING (A)	1	
45	326081	STOPPER BLOCK	1	
46	376829	SPRING	1	
47	971848	LOCK PIECE	1	
48	325187	LOCK SCREW M10	1	
49	376822	LEVER	1	
50	997314	MACHINE SCREW (W/WASHERS) M6X10	1	
51	307956	SEAL LOCK HEX. SOCKET SET SCREW M6X10	1	
52	376824	KNOB	1	
53	376830	SPRING (A)	1	
54	314429	SPRING	1	
55	376823	TRIGGER	1	
56	376842	MICRO SWITCH	1	
57	376817	HOLDER PLATE	1	
58	376820	HANDLE R SET	1	
59	376831	BUSHING	1	
60	376832	SCREW M8 SET	1	INCLUD.61
61	949568	LOCK NUT M8 (10 PCS.)	4	
62	339380	DUST COLLECTION ADAPTER SET	1	
63	301806	WING BOLT M6X15	2	
64	947859	LOCK SPRING	2	
65	376826	BASE	1	
66	326080	SUB BASE	1	
67	305568	SEAL LOCK FLAT HD. SCREW M5X12	4	



**STANDARD ACCESSORIES**

M3612DA

ITEM NO.	CODE NO.	DESCRIPTION	NO. USED	REMARKS
501		CHARGER	1	
503	376835	INNER TRAY	1	
502	329897	BATTERY COVER	1	
508A	377128	WRENCH 23MM	1	
509	376833	STRAIGHT GUIDE	1	
510	376834	GUIDE BAR	2	
511	949394	WING BOLT M6X10 (10 PCS.)	1	
512	301806	WING BOLT M6X15	2	
513	326091	BAR HOLDER	1	
514	956793	FEED SCREW	1	
515	376843	STRAIGHT GUIDE ASS'Y	1	INCLUD.63.64.509-514
**517	376838	COLLET CHUCK (A) 6.35MM	1	
**518	323298	TEMPLATE GUIDE D7.9	1	FOR USA.CAN
**518	323299	TEMPLATE GUIDE D9.5	1	FOR USA.CAN
**518	323300	TEMPLATE GUIDE D11.1	1	FOR USA.CAN
**518	323301	TEMPLATE GUIDE D12.7	1	FOR USA.CAN
**518	323302	TEMPLATE GUIDE D15.9	1	FOR USA.CAN
**518	323303	TEMPLATE GUIDE D19.1	1	FOR USA.CAN
**518	323304	TEMPLATE GUIDE D20.2	1	FOR USA.CAN
**519	323305	LOCK NUT	1	FOR USA.CAN
**520	323272	TEMPLATE GUIDE ADAPTER	1	FOR USA.CAN
**521	323296	CENTERING GAUGE	1	FOR USA.CAN
**522	371108M	TOOL BAG	1	FOR USA.CAN

**OPTIONAL ACCESSORIES**

ITEM NO.	CODE NO.	DESCRIPTION	NO. USED	REMARKS
601	956930	CHUCK SLEEVE 12X3/8"	1	
602	956928Z	CHUCK SLEEVE 1/2"X3/8"	1	
603	956931Z	CHUCK SLEEVE 1/2"X10	1	
604	956794	TRIMMER GUIDE	1	
605	303347	TEMPLATE GUIDE D9.5	1	
606	303348	TEMPLATE GUIDE D10	1	
607	303349	TEMPLATE GUIDE D11.1	1	
608	303350	TEMPLATE GUIDE D12	1	
609	303351	TEMPLATE GUIDE D12.7	1	
610	303352	TEMPLATE GUIDE D14	1	
611	303353	TEMPLATE GUIDE D16	1	
612	956790	TEMPLATE GUIDE D18	1	
613	956932	TEMPLATE GUIDE D20	1	
614	303354	TEMPLATE GUIDE D24	1	
615	956933	TEMPLATE GUIDE D27	1	
616	956934	TEMPLATE GUIDE D30	1	
617	303355	TEMPLATE GUIDE D40	1	