

**Drill - 0 603 120 034 - M 21 S**

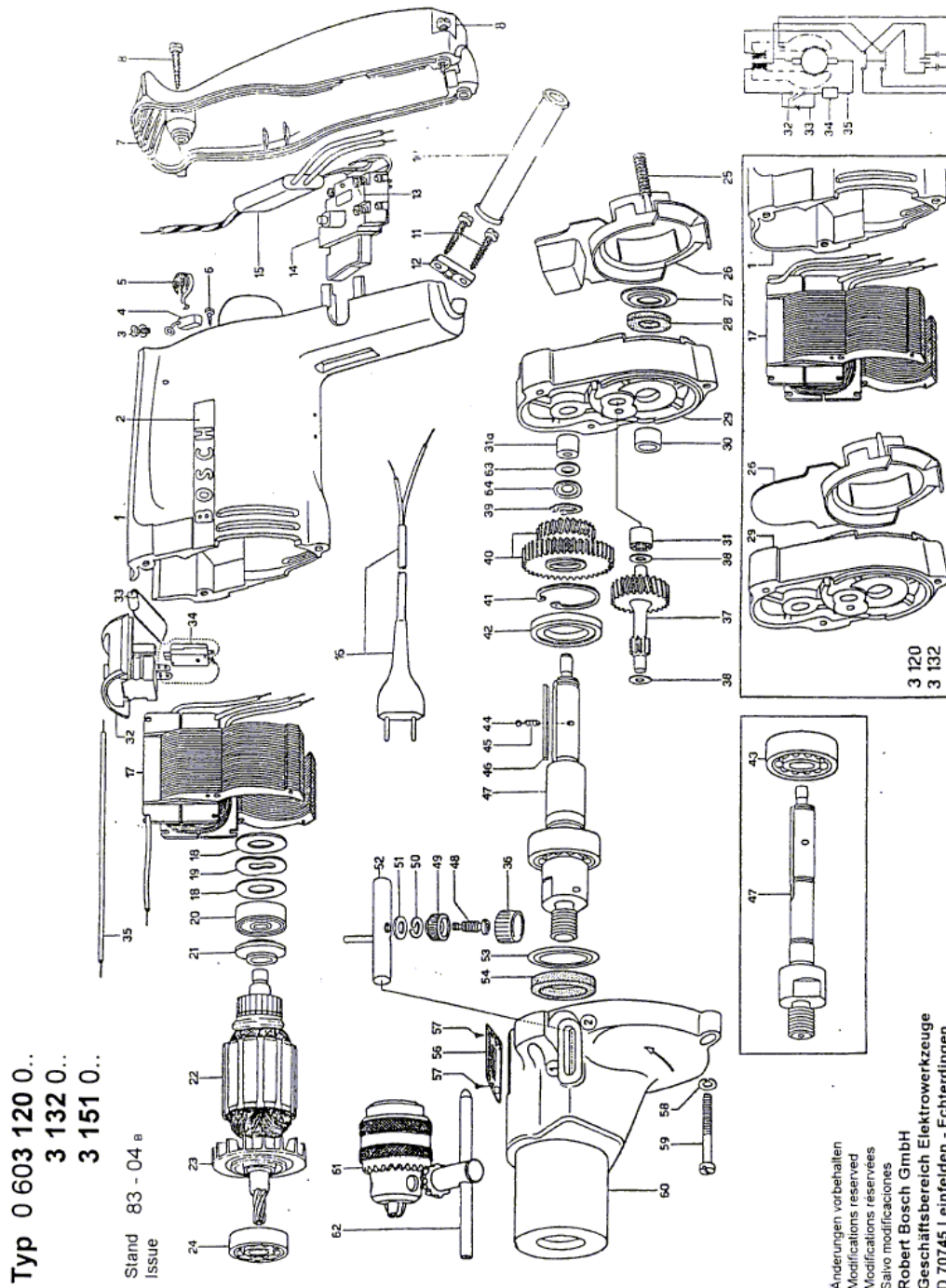
www.powertools-aftersaleservice.com

**BOSCH**

Item	Part Number	Description	Illustration	Price	Quantity	Price Group
1	2 605 104 901	Motor Housing	1	-,-	1	-
2	2 601 007 003	Manufacturer's nameplate	1	-,-	2	-
3	2 603 410 010	Socket head cap screw	1	-,-	2	-
4	2 604 320 906	Carbon-Brush Set	1	-,-	1	18
5	2 604 652 002	Spiral Spring	1	-,-	2	11
6	2 910 211 004	Tapping Screw DIN 7971-BZ2,9x6,5	1	-,-	2	11
7	2 605 132 031	Housing Cover	1	-,-	1	-
8	2 910 211 021	Tapping Screw DIN 7971-ST3,9x22-F	1	-,-	3	10
10	2 600 703 011	Grommet Ø8,3-Ø9,4x95 MM	1	-,-	1	13
10	2 600 703 012	Grommet Ø6,5-Ø6,9x95 MM	1	-,-	1	13
10	2 600 703 013	Grommet Ø7,6-Ø8,2x95 MM	1	-,-	1	13
11	2 910 211 019	Tapping Screw DIN 7971-ST3,9x16-F	1	-,-	2	10
12	2 601 035 001	Cable Clip	1	-,-	1	11
13	2 603 410 023	Socket head cap screw M3x10 MM	1	-,-	4	11
14	2 607 200 043	On-Off Switch	1	-,-	1	24
15	2 607 329 051	Suppression Filter	1	-,-	1	22
17	2 604 222 227	Pole Shoe 110-115V	1	-,-	1	-
18	2 600 101 022	Shim 0,2 MM	1	-,-	1	11
18	2 600 101 023	Shim 0,3 MM	1	-,-	1	11
18	2 600 101 020	Shim 0,5 MM	1	-,-	1	11
19	2 600 150 004	Shim	1	-,-	1	11
20	1 900 905 018	Deep-Groove Ball Bearing 7x22x7	1	-,-	1	29
21	2 600 121 002	Armature Plate	1	-,-	1	11
22	2 604 010 441	Armature With Fan 110-115V	1	-,-	1	-
23	2 606 610 032	Fan	1	-,-	1	-
24	2 600 905 007	Deep-Groove Ball Bearing 10 MM DIN 625	1	-,-	1	22
25	2 604 611 026	Compression Spring	1	-,-	2	11
26	2 601 328 018	Cover Disc	1	-,-	1	-
27	2 600 500 008	Cupped Washer	1	-,-	1	-
28	2 600 108 020	Felt Disc	1	-,-	1	11
29	2 605 700 902	Intermediate Flange	1	-,-	1	-
30	2 600 400 020	Receptacle	1	-,-	1	19
31	2 600 914 004	Needle bearing	1	-,-	2	14

Item	Part Number	Description	Illustration	Price	Quantity	Price Group
32	2 607 200 053	On-Off Switch	1	-,-	1	-
33	2 607 320 008	Silicon Diode	1	-,-	1	-
34	2 607 202 900	Overload Switch	1	-,-	1	-
35	2 604 411 519	Connecting Cable	1	-,-	1	-
35	2 604 465 000	Suppressor Box	1	-,-	1	-
36	2 600 508 029	Sealing cap	N/A	-,-	1	11
37	2 603 160 900	Toothed Shaft Z=27/9	1	-,-	1	-
38	2 600 100 570	Shim 0,3 MM	1	-,-	2	11
39	2 916 650 003	Spring retaining ring DIN 471-12x1-FSt	1	-,-	3	10
40	2 606 328 036	Toothed Gear Z=46/27	1	-,-	1	-
41	2 916 660 013	Spring retaining ring DIN 472-32x1,2 MM	1	-,-	1	11
42	2 600 114 025	Shim washer	1	-,-	1	-
43	1 900 900 302	Deep-Groove Ball Bearing 12x32x10	1	-,-	1	29
44	1 903 230 006	Ball DIN 5401-3,5 MM-III-ST	1	-,-	1	10
45	2 604 611 016	Compression Spring	1	-,-	1	-
46	2 602 300 014	Flat Key	1	-,-	1	-
47	2 603 122 019	Drilling Spindle	1	-,-	1	-
47	2 603 122 900	Drilling Spindle	1	-,-	1	-
48	2 603 413 020	Pan head screw	1	-,-	1	11
49	2 603 340 015	Shift-Lever Knob	1	-,-	1	-
50	2 916 690 004	Spring Lock Washer DIN 128-A5-FST	1	-,-	1	11
51	2 916 011 011	Plain Washer DIN 433-5,3-ST	1	-,-	1	10
52	2 603 103 017	Switching Pin	1	-,-	1	-
53	2 600 500 033	Cupped Washer	1	-,-	1	11
54	2 600 108 033	Felt Washer	1	-,-	1	11
55	1 903 201 042	Needle Roller DIN 5402-A3x11,8-G2	N/A	-,-	1	11
56	1 601 106 032	Nameplate 26x52 MM	1	-,-	1	13
57	2 917 724 031	Round-Head Grooved Pin 2x3 DIN 1476 ST	1	-,-	2	-
58	2 916 690 003	Spring Lock Washer DIN 128-A4-FST	1	-,-	3	10
59	2 603 410 025	Pan head screw	1	-,-	3	-
60	2 605 806 902	Gear Housing	1	-,-	1	-
61	1 608 571 069	Chuck Ø1,5-13 MM, 1/2"	1	-,-	1	32
62	2 607 950 007	Chuck Wrench SG2	1	-,-	1	18
63	2 600 100 565	Shim	1	-,-	1	-
64	2 600 500 001	Cupped Washer	1	-,-	1	-

Illustration - Type E



Information subject to change without further notice.