

Gasoline containing up to 10% ethanol (E10) is acceptable for use in this machine. The use of any gasoline exceeding 10% ethanol (E10) will void the product warranty.

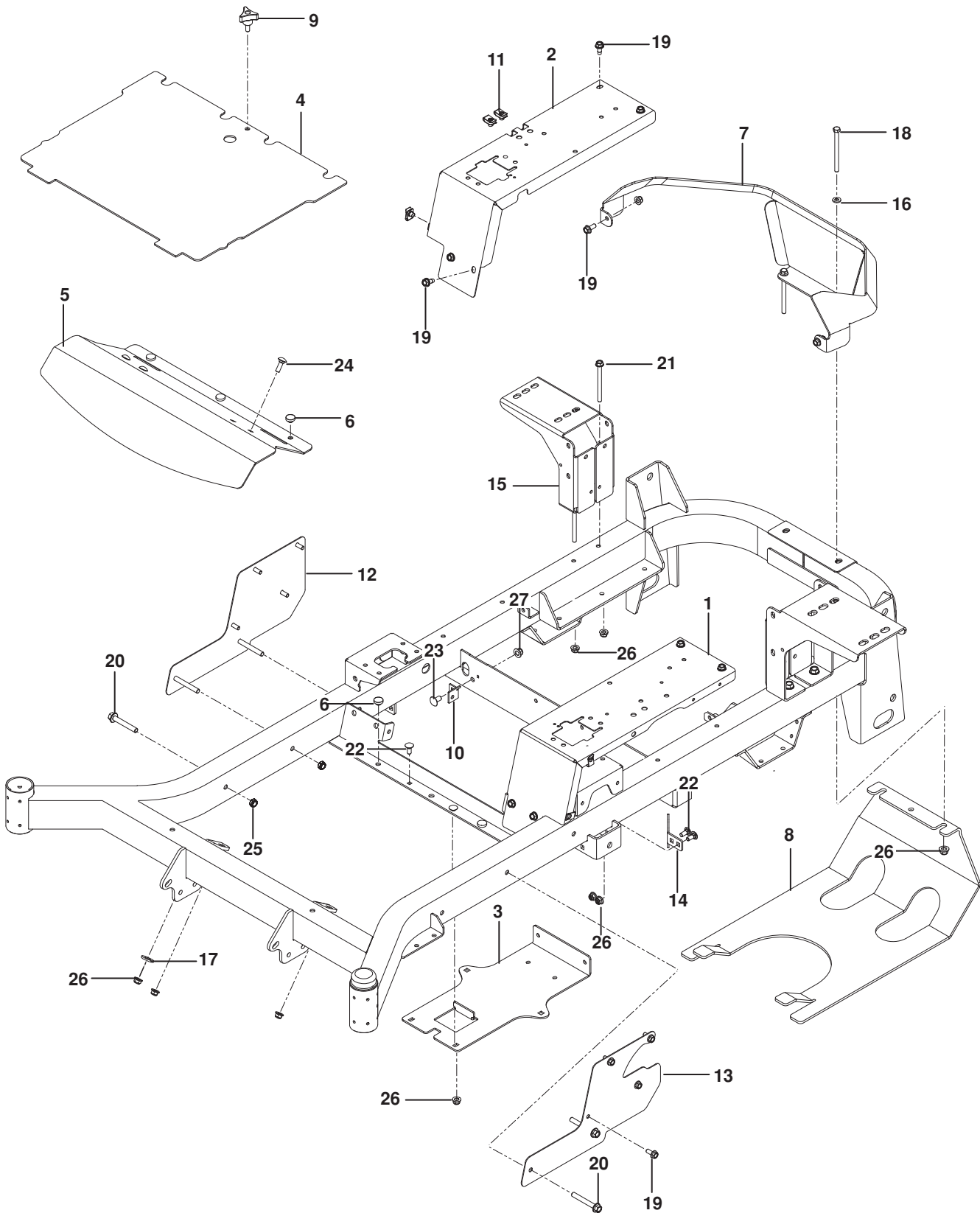
Parts Manual

M-ZT61 / 967177010



Please read the operator manual carefully and make sure you understand the instructions before using the machine.

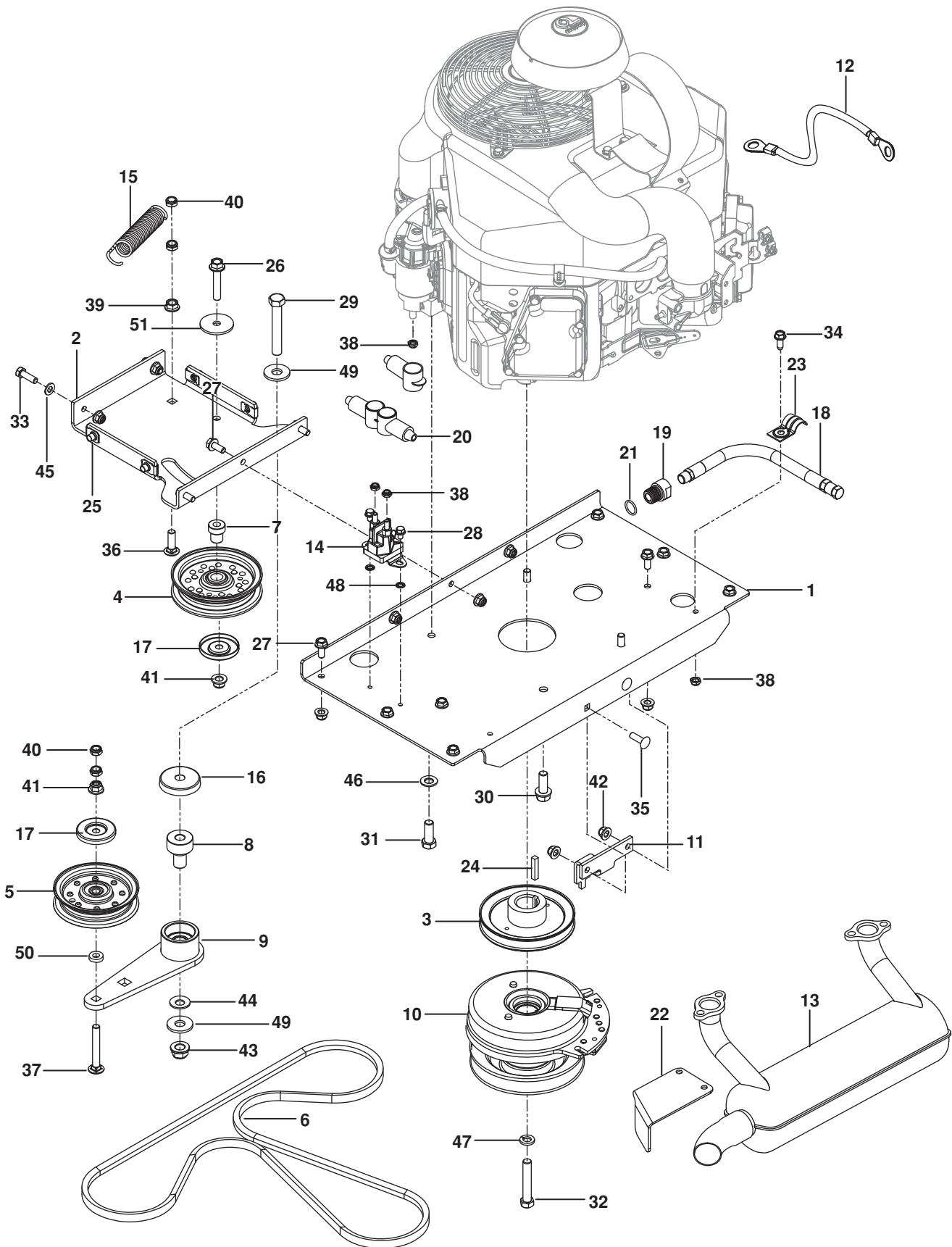
FRAME



FRAME

ITEM	PART NO.	QTY.	DESCRIPTION	ITEM	PART NO.	QTY.	DESCRIPTION
1..	577 256802....	1 PANEL, FILLER LT ORG	15..	575 533602....	2 MOUNT, TANK BLK
2..	577 256902....	1 PANEL, FILLER RT ORG	16..	539 990188....	2 WASHER $\frac{5}{16}$ SAE FLT
3..	575 017202....	1 PLATE, BATTERY ORG	17..	539 109554....	1 WASHER $\frac{1}{2}$ FLT
4..	539 132744....	1 PLATE w/ SAFTY DECAL ORG	18..	539 102335....	2 HCS $\frac{5}{16}$ -18 x 4
5..	539 132380....	1 PLATE, FOOTREST ORG	19..	525 464701..	16 HHFS $\frac{5}{16}$ -18 x $\frac{3}{4}$
6..	539 102587....	7 GROMMET, BUMPER	20..	539 131781....	5 HHFS $\frac{3}{8}$ -16 x $2\frac{3}{4}$
7..	575 348402....	1 GUARD, REAR	21..	539 131780....	4 HHFS $\frac{5}{16}$ -18 x $3\frac{3}{4}$
8..	521 921805....	1 GUARD, SKID	22..	539 990316....	6 RHSNB $\frac{5}{16}$ -18 x $\frac{3}{4}$
9..	539 104411....	1 KNOB w/ STUD	23..	539 109117....	2 RHSNB $\frac{3}{8}$ -16 x $\frac{3}{4}$
10..	575 245202....	2 BRACKET, DAMPENER BLK	24..	539 990208....	3 RHSNB $\frac{5}{16}$ -18 x 1
11..	539 104763....	8 RETAINER-U TYPE	25..	539 200282....	5 NUT $\frac{3}{8}$ -16 HEX JAM NYLOC
12..	577 259801....	1 SIDE, LT BLK	26..	539 112899..	17 NUT $\frac{5}{16}$ -18 HEX FLG NYLOC
13..	577 259701....	1 SIDE, RT BLK	27..	521 996501....	2 NUT $\frac{3}{8}$ -16 HEX FLG NYLOC
14..	505 256401....	2 STOP, DECK				

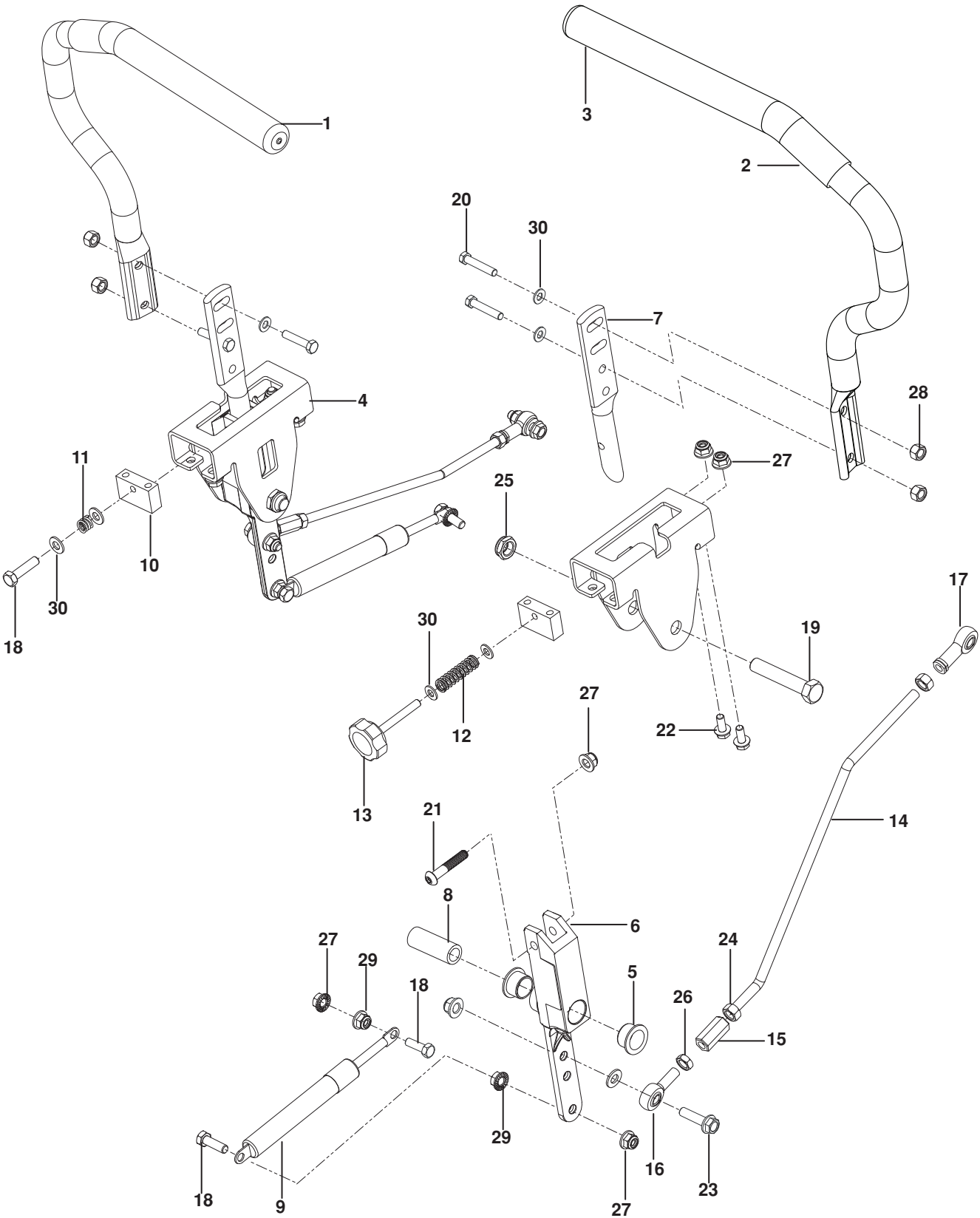
ENGINE PLATE



ENGINE PLATE

ITEM	PART NO.	QTY.	DESCRIPTION	ITEM	PART NO.	QTY.	DESCRIPTION
1..	574 846302....	1 PLATE, ENGINE BLK	28..	539 990302....	2 SCREW 1/4-20 x 8 THD FRM
2..	574 846402....	1 PLATE, IDLER BLK	29..	539 103433....	1 HCS 1/2-13 x 3 1/4
3..	574 811001....	1 PULLEY, V 1 1/8 BORE	30..	539 990582....	1 HCS 3/8-16 x 1 WHIZLK
4..	539 976688....	1 PULLEY, IDLER	31..	539 990563....	3 HCS 3/8-16 x 1
5..	532 175820....	1 PULLEY, IDLER SECONDARY	32..	581 332802....	1 HCS 7/16-20 x 2 1/2
6..	574 870901....	1 BELT	33..	539 990209....	2 HCS 5/16-18 x 1
7..	525 435601....	1 PIVOT, IDLER	34..	539 990071....	1 HCS 1/4-20 x 1/2
8..	510 206301....	1 PIVOT, BEARING	35..	539 107271....	2 RHSNB 5/16-18 x 1
9..	510 041603....	1 ARM, IDLER w/ BEARINGS	36..	539 100413....	1 RHSNB 3/8-16 x 1 1/4
10..	574 607001....	1 CLUTCH, 200 FT-LB	37..	539 130235....	1 RHSNB 3/8-16 x 2 3/4
11..	575 017302....	1 STOP, CLUTCH	38..	539 108120....	3 NUT 1/4-20 HEX THIN
12..	539 102757....	1 CABLE, POSITIVE	39..	539 990613....	1 NUT 3/8-16 HEX WHIZLK
13..	525 750201....	1 MUFFLER	40..	539 200282....	4 NUT 3/8-16 HEX JAM NYLOC
14..	539 101714....	1 SOLENOID	41..	521 996501....	2 NUT 3/8-16 HEX FLANGE NYL
15..	510 254401....	1 SPRING, PUMP	42..	539 112899..	15 NUT 5/16-18 HEX FLANGE NYL
16..	539 114662....	1 SHIELD, DUST	43..	521 991101....	1 NUT 1/2-13 HEX FLANGE NYL
17..	510 254501....	2 SHIELD, DUST	44..	539 115528....	1 WASHER 1/2" BELLEVILLE
18..	584 825501....	1 HOSE, DRAIN	45..	539 990188....	2 WASHER 5/16 SAE FLAT
19..	539 119680....	1 ADAPTER, OIL DRAIN	46..	539 102593....	4 WASHER 3/8 SPRING
20..	539 102759....	3 INSULATOR	47..	539 990247....	1 WASHER 7/16 SLW
21..	539 109618....	1 O-RING	48..	539 990053....	2 WASHER 1/4 INT TOOTH LK
22..	579 150901 ..	1 SHIELD, MUFFLER	49..	539 109554....	2 WASHER 1/2 FLAT ZD
23..	539 101363....	1 CLAMP	50..	539 109562....	1 WASHER 3/8 x 3/4
24..	539 912757....	1 KEY 1/4 SQ x 1 1/4	51..	539 111897....	1 WASHER, SPECIAL
25..	539 104763....	4 RETAINER, U TYPE	NOT SHOWN			
26..	874 490632....	1 HHFS 3/8-16 x 2	575 018301.... 1 KAWASAKI PIGTAIL			
27..	874 490512..	11 HHFS 5/16-18 x 3/4				

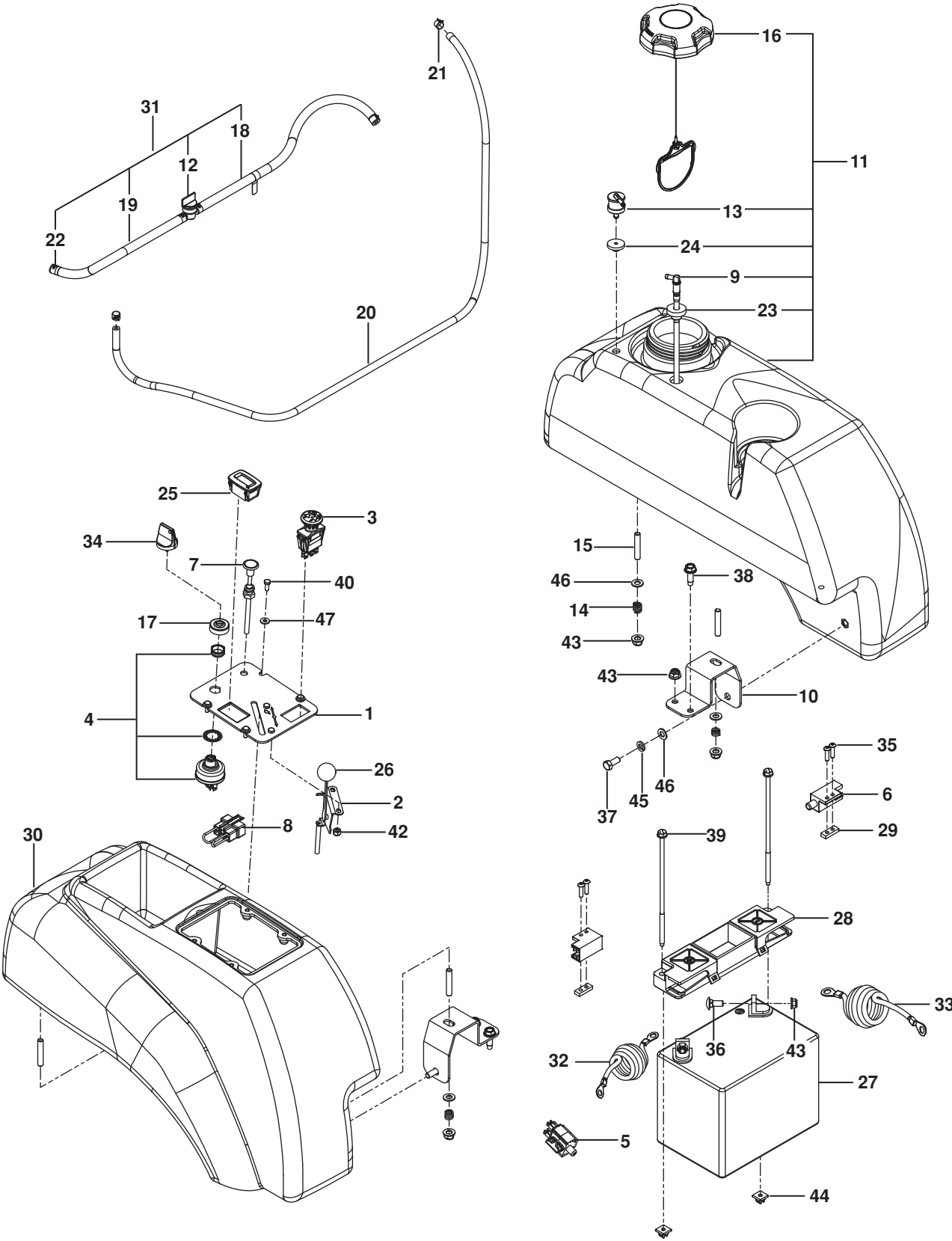
STEERING



STEERING

ITEM	PART NO.	QTY.	DESCRIPTION	ITEM	PART NO.	QTY.	DESCRIPTION
1..	539 132009....	1	LEVER w/ GRIP RT	16..	539 116690....	2	ROD END LT
2..	539 132010....	1	LEVER w/ GRIP LT	17..	539 115729....	2	ROD END RT
3..	539 130894....	2	GRIP, FOAM	18..	539 990627....	5	HCS $\frac{5}{16}$ -18 x $1\frac{1}{4}$
4..	577 251701....	2	BRACKET, CONTROL	19..	539 101332....	2	HCS $\frac{1}{2}$ -13 x $2\frac{3}{4}$
5..	539 131518....	4	BEARING, FLANGE	20..	539 976935....	4	HCS $\frac{5}{16}$ -18 x $1\frac{1}{2}$
6..	576 140301....	2	LEVER, CONTROL	21..	576 850402....	2	SCREW $\frac{5}{16}$ -18 X $1\frac{3}{4}$ BTN HD
7..	577 420001....	2	LEVER, HANDLE	22..	525 464701....	8	HHFS $\frac{5}{16}$ -18 X $\frac{3}{4}$
8..	577 252401....	2	SPACER, PIVOT CONTROL	23..	525 544001....	4	HHFS $\frac{5}{16}$ -18 x $1\frac{1}{4}$ TPBLT
9..	539 102720....	2	DAMPENER	24..	539 990223....	4	NUT $\frac{5}{16}$ -24 HEX
10..	577 251801	2	BLOCK, TRACKING	25..	539 108010....	2	NUT $\frac{1}{2}$ -13 HEX JAM NYL GR2
11..	539 102845....	1	SPRING	26..	539 991073....	2	NUT $\frac{5}{16}$ -24 HEX JAM LH
12..	576 850301....	1	SPRING	27..	539 112899..	10	NUT $\frac{5}{16}$ -18 HEX FLG NYLOC
13..	539 131799....	1	KNOB	28..	539 990717....	6	NUT $\frac{5}{16}$ -18 HEX NYLOC
14..	574 811401....	2	ROD, MOTION CONTROL	29..	539 990585....	4	NUT $\frac{5}{16}$ -18 HEX WHIZLK
15..	539 116689....	2	COUPLER, ROD END	30..	539 990188..	12	WASHER $\frac{5}{16}$ SAE FLT

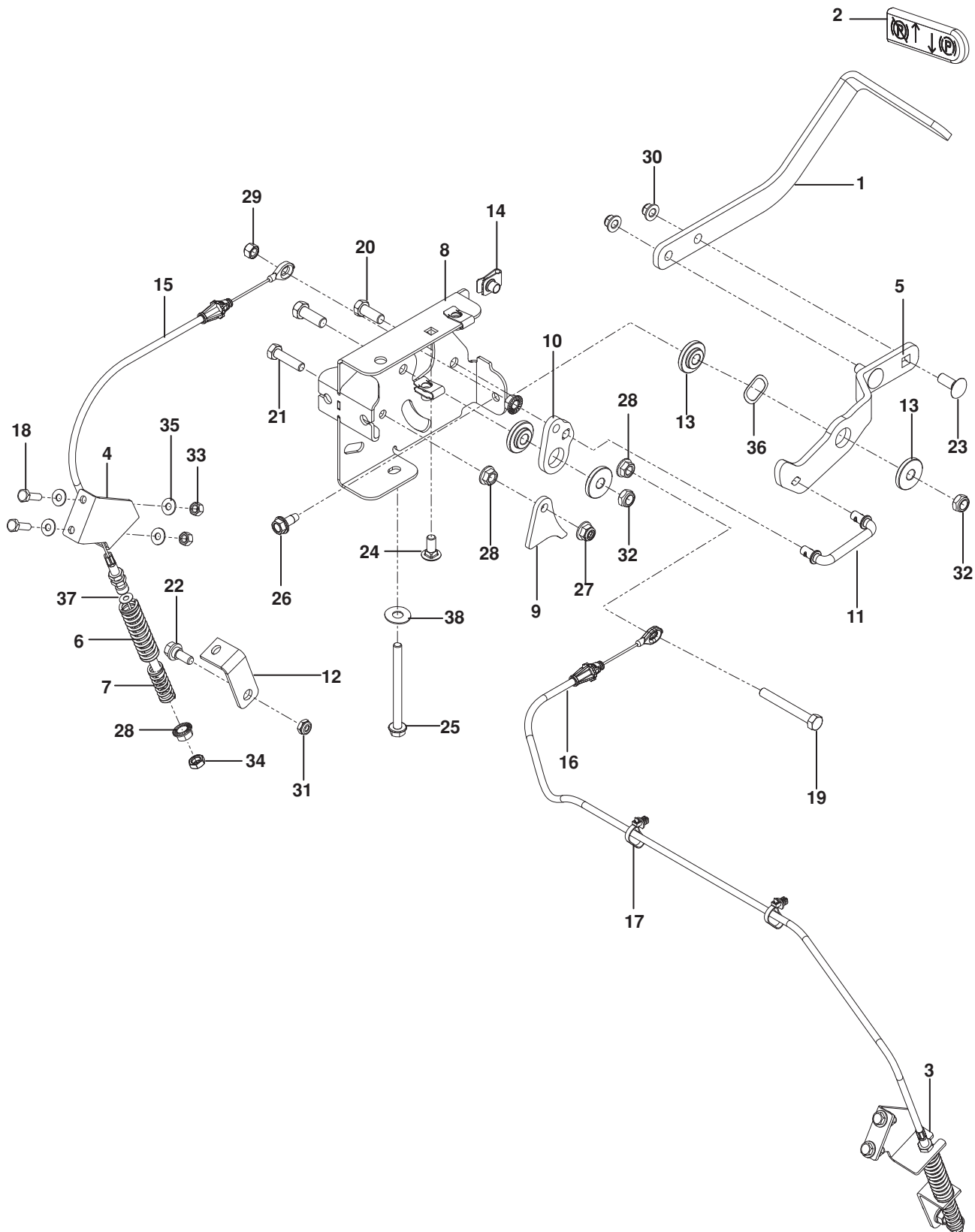
IGNITION



IGNITION

ITEM PART NO.	QTY.	DESCRIPTION	ITEM PART NO.	QTY.	DESCRIPTION
1..	574 841204....1 PLATE, CONSOLE, BLK	26..	539 133049....1 KNOB
2..	539 112438....1 CABLE, THROTTLE	27..	539 102436....1 BATTERY
3..	539 131627....1 SWITCH, PTO 10 AMP	28..	539 107628....1 GUARD, TERMINAL
4..	574 455401....1 SWITCH, IGNITION	29..	539 102678....2 PLATE, TAPPED
5..	539 113792....1 SWITCH, BRAKE	30..	539 107593....1 CONSOLE, RT
6..	532 109553....2 SWITCH, INTERLOCK	31..	586 123901....1 ASSY, FUEL LINE
7..	574 206903....1 CHOKE CONTROL	32..	539 104974....1 CABLE, POSITIVE 31"
8..	575 321001....1 PLUG, TIMER	33..	539 107645....1 CABLE, NEGATIVE 32"
9..	576 469201....1 FITTING, FUEL	34..	574 455501....1 KEY, IGNITION
10..	539 131671....2 SUPPORT, TANK, BLK	35..	574 822701....4 SCREW #10-24 x 3/4 SKT HD
11..	585 722301....1 TANK ASSY LT	36..	539 990316....2 RHSNB 5/16-18 x 3/4
12..	539 916325....1 VALVE, FUEL	37..	539 976934....2 HCS 5/16-18 x 3/4
13..	576 618101....1 VALVE, FUEL CHECK	38..	539 113226....3 BOLT 5/16-18 x 1 THD FRM
14..	539 102845....6 SPRING	39..	539 107632....2 BOLT 1/4 x 7 1/2
15..	539 102502....6 STUD 5/16-18	40..	539 990411....6 SCREW #10-24 x 1/2 SLT
16..	575 018101....1 FUEL CAP w /TETHER	41..	574 822701....4 SCREW #10-24 x 3/4 SKT HD
17..	539 103178....1 CAP, IGNITION SWITCH NUT	42..	539 976977....2 NUT #10-24 HEX NYLOC
18..	539 107765....1 HOSE, FUEL 26"	43..	539 112899..12 NUT 5/16-18 HEX FLANGE NYL
19..	539 932956....2 HOSE, FUEL 10"	44..	539 107629....2 NUT, NYLON PUSH
20..	576 660609....1 HOSE 3/16 VAPOR 27"	45..	539 990187....2 WASHER 5/16 SLW
21..	575 436501....2 CLAMP, HOSE	46..	539 990188....8 WASHER 5/16 SAE
22..	539 912222....4 CLAMP, HOSE	47..	539 105408....4 WASHER #10
23..	539 105245....1 GROMMET, RUBBER	NOT SHOWN		
24..	584 648201....1 GROMMET, CHECK VALVE	575 320901....1 HARNESS, MAIN	
25..	586 161801....1 METER, SERVICE			

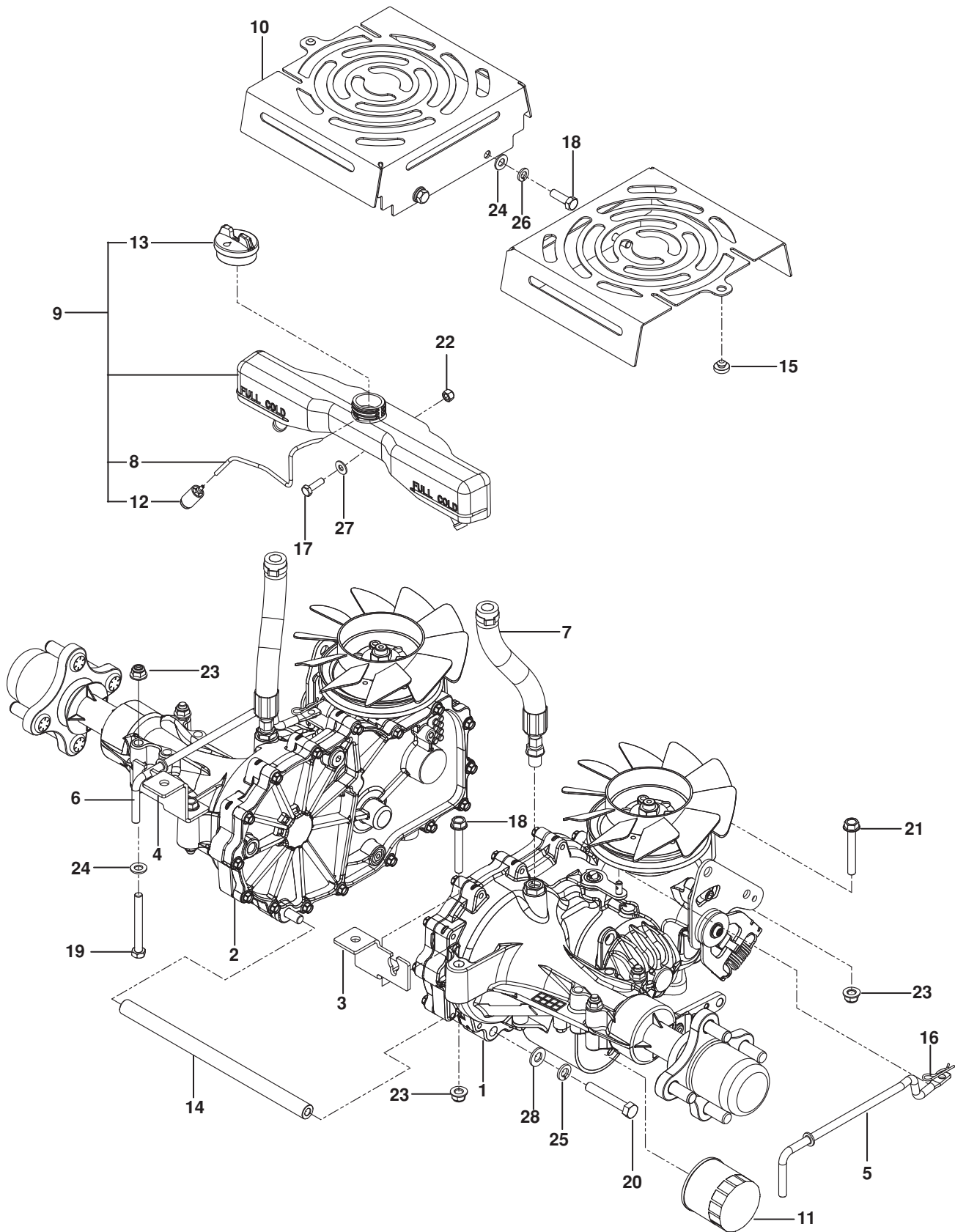
PARKING BRAKE



PARKING BRAKE

ITEM	PART NO.	QTY.	DESCRIPTION	ITEM	PART NO.	QTY.	DESCRIPTION
1..	539 132151....	1 ARM, BRAKE	20..	539 990563....	2 HCS $\frac{3}{8}$ -16 x 1
2..	539 105036....	1 GRIP, BRAKE HANDLE	21..	539 990209....	1 HCS $\frac{5}{16}$ -18 x 1
3..	575 229602....	1 BRACKET, RT BLK	22..	539 110303....	2 BOLT $\frac{5}{16}$ SHOULDER
4..	575 229702....	1 BRACKET, LT BLK	23..	539 990645....	2 RHSNB $\frac{3}{8}$ -16 x 1
5..	539 132423....	1 LEVER, BRAKE	24..	539 990316....	1 RHSNB $\frac{5}{16}$ -18 x $\frac{3}{4}$
6..	575 230201....	2 SPRING, RETURN	25..	539 131780....	1 HHFS $\frac{5}{16}$ -18 x $3\frac{3}{4}$
7..	575 230301....	2 SPRING, ENGAGEMENT	26..	539 107475....	1 BOLT $\frac{5}{16}$ -18 x $\frac{3}{4}$ THD FRM
8..	539 132158....	1 MOUNT, BRAKE	27..	539 112899....	4 NUT $\frac{5}{16}$ -18 FLANGE NYLOC
9..	539 132154....	1 ACTUATOR, SWITCH	28..	539 990585....	5 NUT $\frac{5}{16}$ -18 HEX WHIZLK
10..	539 132153....	1 BELLCRANK, BRAKE	29..	539 990717....	1 NUT $\frac{5}{16}$ -18 HEX NYLOC
11..	539 132424....	1 LINKAGE, BRAKE	30..	521 996501....	2 NUT $\frac{3}{8}$ -16 HEX FLG NYLOC
12..	575 229802....	2 BRACKET, BRAKE	31..	539 115617....	2 NUT $\frac{5}{16}$ HEX NYLOC
13..	539 132161....	4 BUSHING, BRAKE	32..	539 200282....	2 NUT $\frac{3}{8}$ -16 HEX JAM NYLOC
14..	539 104763....	3 RETAINER, U TYPE $\frac{5}{16}$ -18	33..	539 976978....	4 NUT $\frac{1}{4}$ -20 HEX NYLOC
15..	539 132173....	1 CABLE, BRAKE SHORT	34..	539 107897....	2 NUT $\frac{5}{16}$ -18 HEX JAM
16..	539 132174....	2 CABLE, BRAKE LONG	35..	539 990055....	8 WASHER $\frac{1}{4}$ SAE FLT
17..	505 280001....	2 TIE w/ CLIP	36..	539 133007....	1 WASHER .825 WAVE
18..	539 990643....	4 HCS $\frac{1}{4}$ -20 x $\frac{7}{8}$	37..	539 990122....	2 WASHER $\frac{3}{8}$ SAE
19..	539 108396....	1 HCS $\frac{5}{16}$ -18 x $2\frac{1}{2}$ TPBLT	38..	539 109554....	1 WASHER $\frac{1}{2}$ FLT

HYDRAULIC PUMP-MOTOR

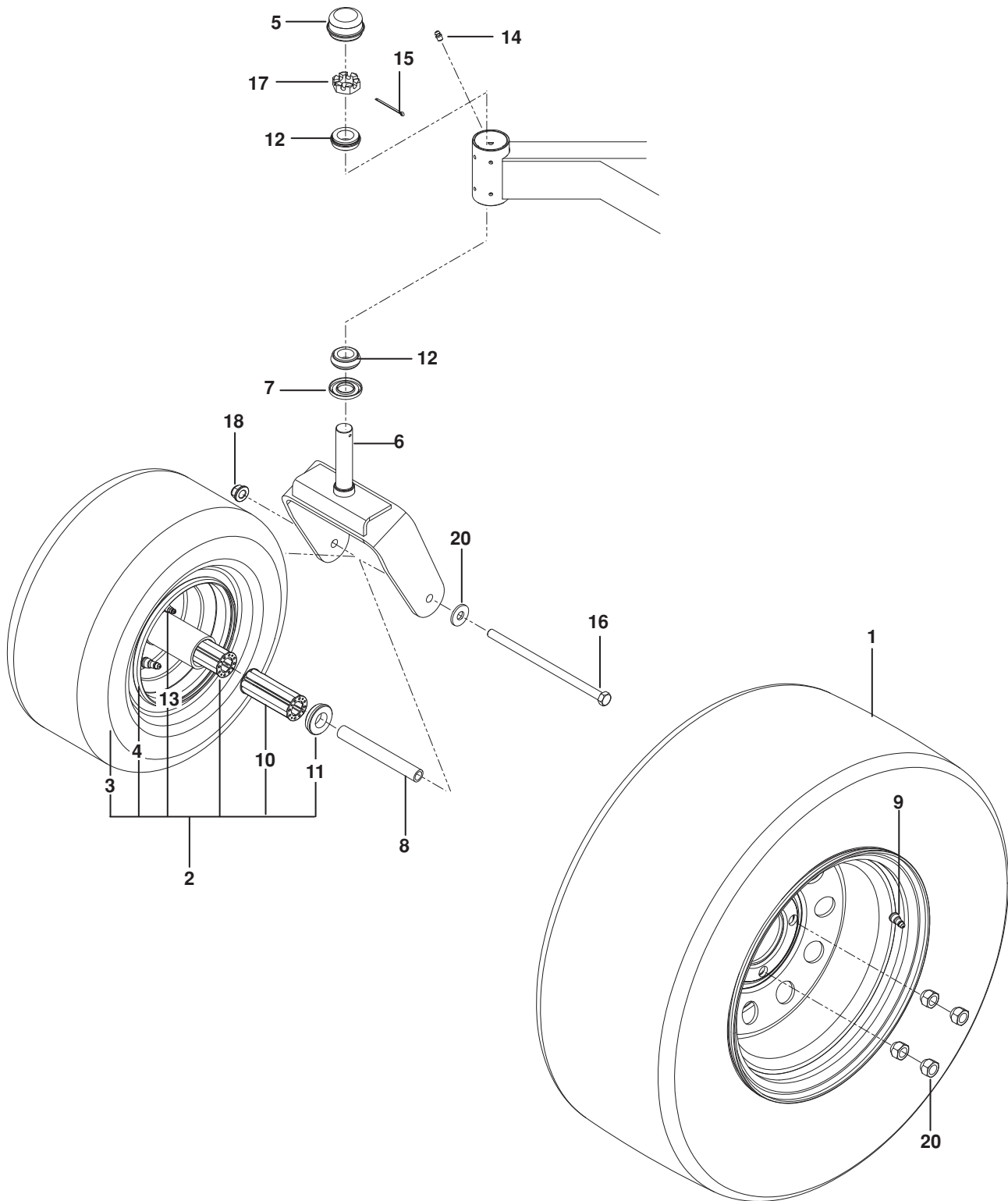


HYDRAULIC PUMP-MOTOR

ITEM	PART NO.	QTY.	DESCRIPTION
1..	574 569101....	1	TRANS, ZT-3400, LT
2..	574 569102....	1	TRANS, ZT-3400, RT
3..	575 017102....	1	BRACKET, TRANS, LT
4..	575 017002....	1	BRACKET, TRANS, RT
5..	539 131616....	1	LINKAGE, BYPASS LT
6..	539 131618....	1	LINKAGE, BYPASS RT
7..	574 892101....	2	HOSE, EXPANSION
8..	586 067501....	1	HOSE, FUEL
9..	585 318201....	1	TANK, EXPANSION
10..	584 994202....	2	COVER, FAN
11..	539 113466....	2	FILTER, HYDRO
12..	530 095646....	1	FILTER
13..	586 072701....	1	CAP, TANK
14..	574 868501....	1	TUBE 10 ³ / ₈ " SPACER

ITEM	PART NO.	QTY.	DESCRIPTION
15..	539 102587....	2	GROMMET, BUMPER
16..	539 976988....	2	HAIRPIN COTTER
17..	539 990643....	1	HCS 1/4-20 x 7/8
18..	539 990209....	4	HCS 5/16-18 x 1
19..	539 101721....	4	HCS 5/16-18 x 2 ³ / ₄
20..	539 108551....	2	HCS 3/8-16 x 2 ¹ / ₂ GR8
21..	574 233801....	4	HHFS 5/16-18 x 2 ¹ / ₄
22..	539 976978....	1	NUT 1/4-20 HEX NYLOC
23..	539 112899....	8	NUT 5/16-18 HEX FLG NYLOC
24..	539 990188....	8	WASHER 5/16 SAE FLT
25..	539 990118....	2	WASHER 3/8 SPLT LK
26..	539 990187....	4	WASHER 5/16 SLW
27..	539 990055....	1	WASHER 1/4 SAE FLT
28..	539 990122....	2	WASHER 3/8 SAE FLT

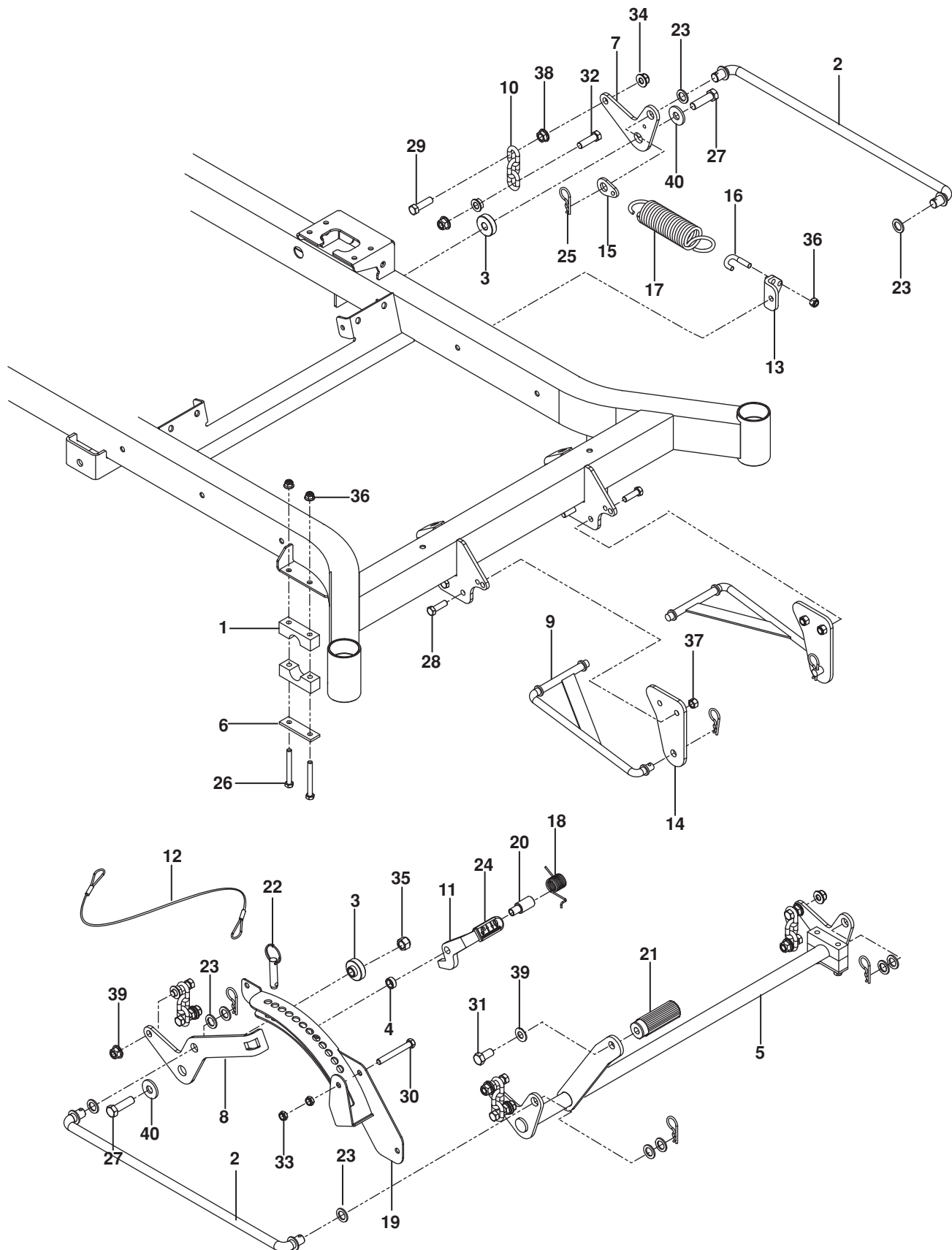
WHEELS



WHEELS

ITEM	PART NO.	QTY.	DESCRIPTION	ITEM	PART NO.	QTY.	DESCRIPTION
1..	539 108881....2	WHEEL ASSY, 23 x 10.5-12	11..	539 102484....4	BEARING, FLANGED
2..	581 199501....2	WHEEL ASSY 13 x 6.5	12..	539 102543....4	BEARING
3..	575 622201....2	TIRE 13 x 6.5	13..	539 103300....2	ZERK
4..	575 622101....2	RIM, CASTER TIRE	14..	539 101474....2	ZERK
5..	539 102535....2	CAP, GREASE	15..	539 102889....2	COTTER PIN 1/8 x 2
6..	575 329202....2	YOKE, CASTER, ORG	16..	539 105517....2	HCS 1/2-13 x 9 1/2
7..	539 102851....2	SEAL	17..	539 102852....2	NUT 1"-14 SLOTTED JAM
8..	575 334901....2	SPACER, PIVOT	18..	521 991101 ...2	NUT 1/2-13 HEX FLG NYLOC
9..	539 912234....2	AIR VALVE	19..	539 101173....8	NUT 1/2-20 LUG
10..	539 105307....4	BEARING 3 3/4 CAGE	20..	539 109554....2	WASHER 1/2 FLAT

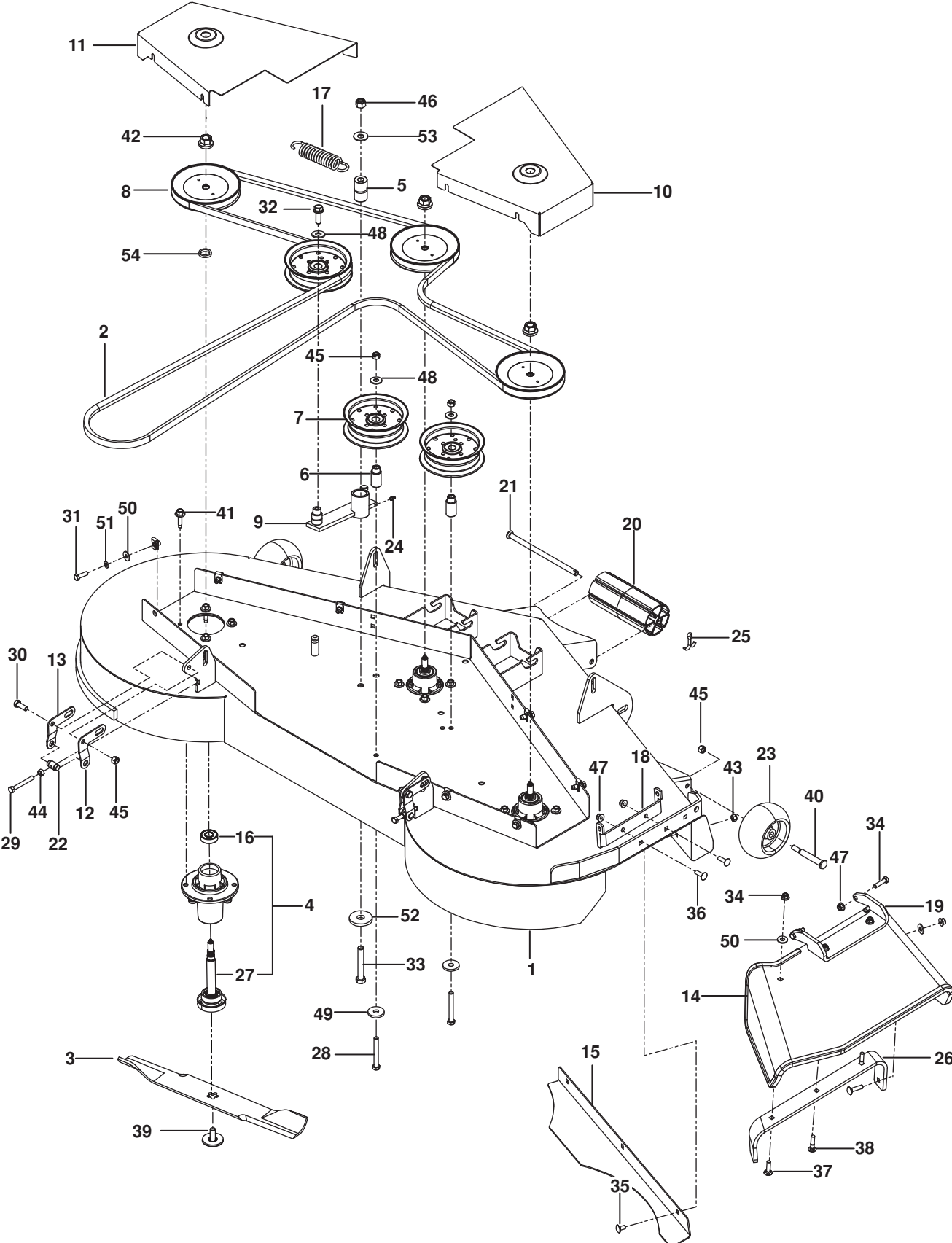
MOWER LIFT / DECK LIFT



MOWER LIFT / DECK LIFT

ITEM	PART NO.	QTY.	DESCRIPTION	ITEM	PART NO.	QTY.	DESCRIPTION
1..	539 104808....4	PILLOW BLOCK	21..	510 408301....1	PEDAL, FOOT
2..	539 110808....2	LINK, DECK LIFT	22..	539 132182....1	PIN 1/2 x 1 1/2 DETENT RING
3..	539 118937....2	SPACER, IDLER	23..	539 991043..10	BUSHING .625
4..	539 131861....1	SPACER	24..	539 132851....1	GRIP
5..	581 215202....1	SHAFT, FRONT LIFT BLK	25..	539 115501....6	PIN, COTTER 1 3/4
6..	539 104807....2	REINFORCEMENT BAR	26..	539 101721....4	HCS 5/16-18 x 2 3/4
7..	539 131897....1	BELLCRANK, RR, LIFT BLK	27..	539 108181....2	HCS 1/2-13 x 1 3/4 GR 8
8..	539 131853....1	BELLCRANK, RR, RT BLK	28..	539 976941....4	HCS 3/8-16 X 1 1/4
9..	539 112223....2	LINKAGE, STRUT	29..	539 101175....4	HCS 7/16-14 x 1 1/2
10..	539 109693....4	LIFT CHAIN-3 LINK	30..	874 780648....1	HCS 3/8-16 x 3
11..	539 131566....1	LATCH, TRANSPORT	31..	539 990646....1	HCS 1/2-13 x 1 3/4
12..	539 105059....1	LANYARD	32..	539 108073....4	HCS 7/16-14 x 1 3/4
13..	539 131791....1	MOUNT, SPRING	33..	539 200282....2	NUT 3/8-16 HEX JAM NYLOC
14..	539 132017....2	MOUNT, STRUT	34..	539 132019....8	NUT 7/16-14 HEX WHIZ LK
15..	539 131792....1	TAB, SPRING	35..	539 101331....2	NUT 1/2 HEX NYLOC
16..	539 112896....1	J-BOLT	36..	539 112899....5	NUT 5/16-18 HEX FLG NYLOC
17..	539 102642....1	SPRING	37..	539 976979....4	NUT 3/8-16 HEX NYLOC
18..	539 132734....1	SPRING, TORSION	38..	539 102582....8	NUT 7/16-14 HEX WHIZ LK
19..	539 131850....1	HEIGHT ADJUST, DECK	39..	539 102843....1	WASHER 7/16 SPRING
20..	539 131860....1	PIVOT LATCH, TRANSPORT	40..	539 109554....2	WASHER 1/2 FLT

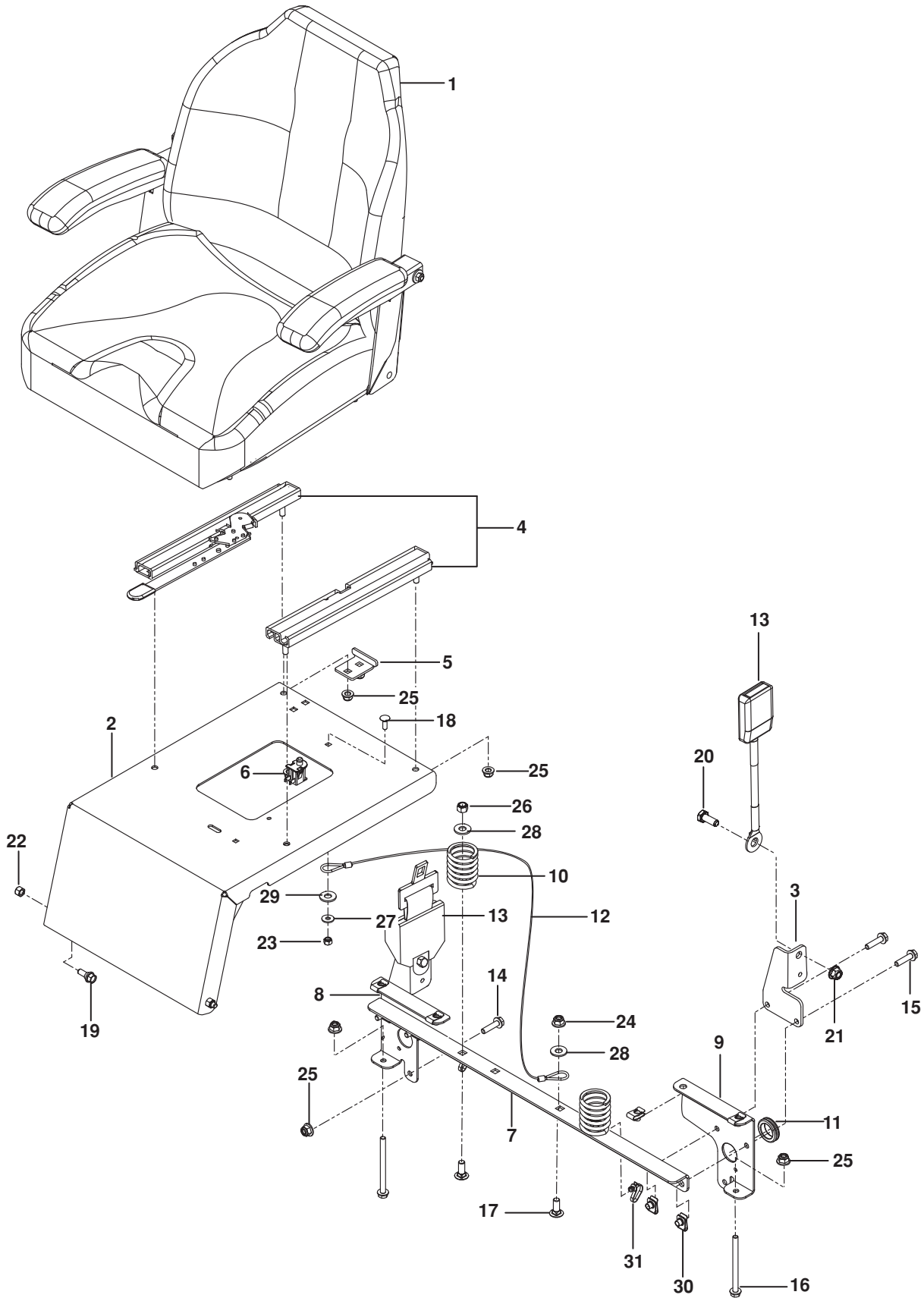
MOWER DECK / CUTTING DECK



MOWER DECK / CUTTING DECK

ITEM	PART NO.	QTY.	DESCRIPTION	ITEM	PART NO.	QTY.	DESCRIPTION
1..	581 505401....	1 DECK w/ SAFETY DECALS	28..	539 101341....	2 HCS $\frac{3}{8}$ -16 x 3
2..	539 104335....	1 BELT, DECK	29..	539 108396....	2 HCS $\frac{5}{16}$ -18 x 2 $\frac{1}{2}$ TPBLT
3..	510 417901....	3 BLADE, 21"	30..	539 990563....	2 HCS $\frac{3}{8}$ -16 x 1
4..	539 131898....	3 HOUSING ASSEMBLY	31..	539 976934....	8 HCS $\frac{5}{16}$ -18 x $\frac{3}{4}$
5..	539 103427....	1 BUSHING, PIVOT	32..	539 990582....	1 HCS $\frac{3}{8}$ -16 x 1 WHIZLK
6..	539 112169....	2 BUSHING, IDLER	33..	539 103433....	1 HCS $\frac{1}{2}$ -13 x 3 $\frac{1}{4}$
7..	539 132728....	3 PULLEY, IDLER	34..	539 990627....	2 HCS $\frac{5}{16}$ -18 x 1 $\frac{1}{4}$
8..	539 113300....	3 PULLEY	35..	539 990799....	3 RHSNB $\frac{5}{16}$ -18 x $\frac{5}{8}$
9..	539 112198....	1 ARM, IDLER	36..	539 107271....	2 RHSNB $\frac{5}{16}$ -18 x 1
10..	539 113319....	1 BELT SHIELD, RT ORG	37..	539 100472....	2 RHSNB $\frac{5}{16}$ -18 x 1 $\frac{1}{4}$
11..	539 113322....	1 BELT SHIELD, LT ORG	38..	539 102933....	2 RHSNB $\frac{5}{16}$ -18 x 1 $\frac{1}{2}$
12..	584 859402....	2 PITCH ADJUST, RT	39..	532 193003....	3 BOLT $\frac{7}{16}$ BLADE
13..	584 859404....	2 PITCH ADJUST, LT	40..	539 107608....	2 BOLT, SHOULDER
14..	539 130901....	1 CHUTE, DISCHARGE	41..	539 107630....	12 SCREW, WSH HEAD
15..	539 113317....	1 PLATE, CONFINEMENT	42..	539 107590....	3 NUT $\frac{9}{16}$ TOP CENTER LOCK
16..	539 112050....	3 BEARING, BALL	43..	539 990717....	3 NUT $\frac{5}{16}$ -18 HEX NYLOC
17..	539 103256....	1 SPRING	44..	539 990196....	2 NUT $\frac{5}{16}$ -18 HEX
18..	581 606102....	1 BRACKET ORG	45..	539 976979....	6 NUT $\frac{3}{8}$ -16 HEX NYLOC
19..	539 130917....	1 BRACKET	46..	539 101331....	1 NUT $\frac{1}{2}$ HEX NYLOC
20..	532 176066....	1 ROLLER, NOSE	47..	539 112899....	8 NUT $\frac{5}{16}$ -18 HEX FLG NYLOC
21..	532 179127....	1 ROD, ROLLER, NOSE	48..	539 990517....	3 WASHER $\frac{3}{8}$ FLAT STD
22..	539 131859....	2 TRUNION, PITCH	49..	539 106504....	2 WASHER, HEAVY
23..	539 107610....	2 WHEEL, GAUGE	50..	539 990692..	11 WASHER $\frac{5}{16}$ STD FLT
24..	539 976998....	1 ZERK	51..	539 109600....	8 WASHER $\frac{5}{16}$ SPRING
25..	539 990365....	2 PIN $\frac{1}{8}$ x $\frac{3}{4}$ COTTER	52..	539 102243....	1 WASHER, SUPPORT
26..	539 130920....	1 REINFORCEMENT, BRKT	53..	539 990550....	1 WASHER $\frac{1}{2}$ STD FLT
27..	532 187291....	3 SHAFT	54..	539 107520....	3 WASHER-SPACER

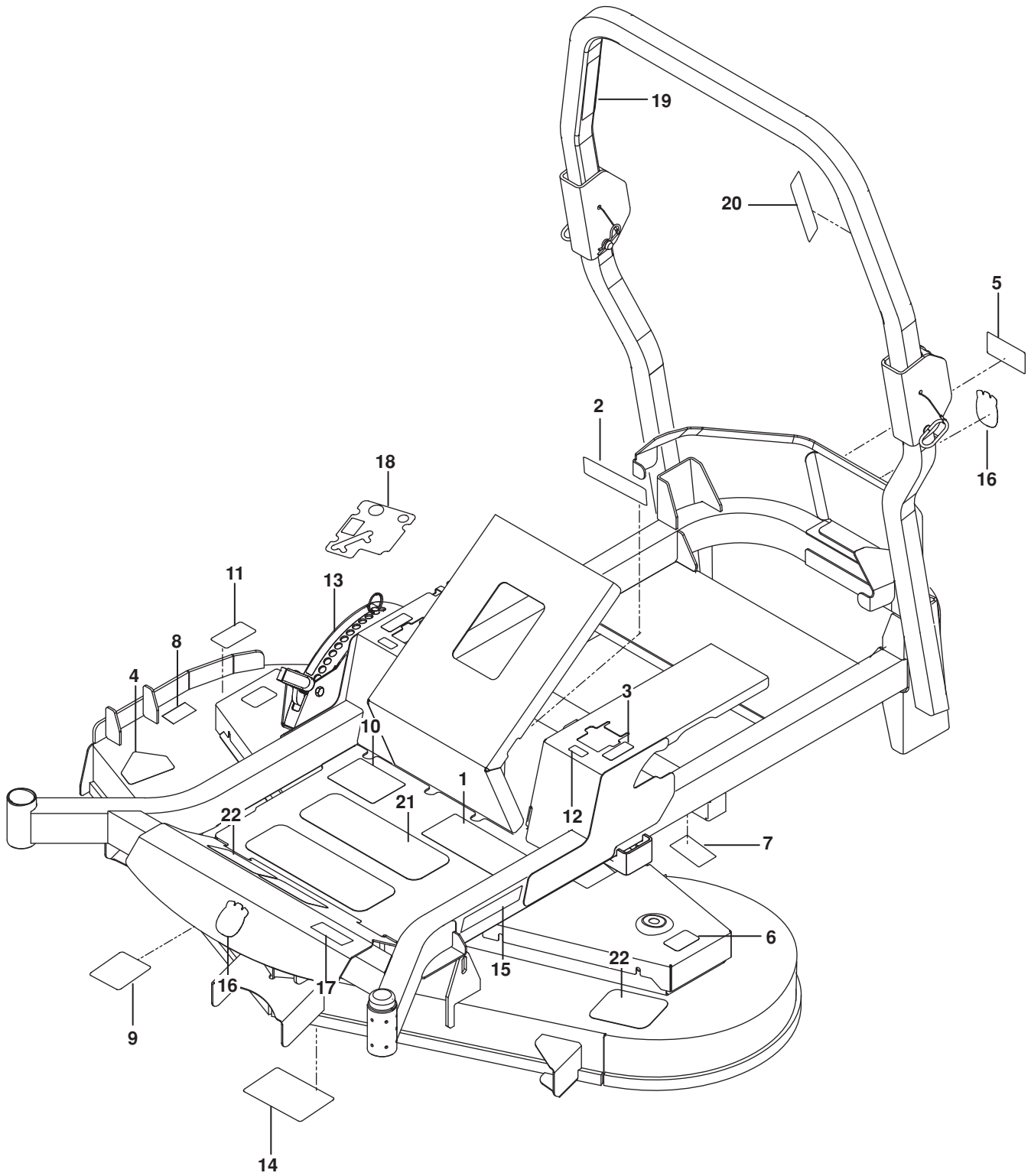
SEAT



SEAT

ITEM	PART NO.	QTY.	DESCRIPTION	ITEM	PART NO.	QTY.	DESCRIPTION
1..	576 702001....	1 SEAT ASSY	16..	539 131780....	2 HHFS $\frac{5}{16}$ -18 x $3\frac{3}{4}$
2..	575 608601....	1 MOUNT, w/ SAFETY DECAL	17..	539 990645....	3 RHSNB $\frac{3}{8}$ -16 x 1
3..	584 916802....	2 MOUNT, SEAT BELT	18..	539 990074....	1 RHSNB $\frac{1}{4}$ -20 x $\frac{3}{4}$
4..	576 702004....	1 ADJUSTMENT TRACK ASSY	19..	539 130896....	2 BOLT $\frac{5}{16}$ -18 SHOULDER
5..	539 130793....	1 DECK STOP	20..	539 124775....	2 HHB $\frac{7}{16}$ -20 x 1
6..	539 119741....	1 SWITCH, SEAT	21..	539 990394....	2 NUT $\frac{7}{16}$ -20 HEX LK
7..	584 809102....	1 SUPPORT, SEAT BLK	22..	539 990717....	2 NUT $\frac{5}{16}$ -18 HEX NYLOC
8..	584 990102....	1 SUPPORT, RT BLK	23..	539 976978....	1 NUT $\frac{1}{4}$ -20 HEX NYLOC
9..	584 990202....	1 SUPPORT, LT BLK	24..	521 996501....	1 NUT $\frac{3}{8}$ -16 FLG HEX NYLOC
10..	539 110300....	2 SPRING, SEAT BLK	25..	539 112899..	10 NUT $\frac{5}{16}$ -18 FLG HEX NYLOC
11..	539 105974....	1 GROMMET RUBBER	26..	539 976979....	2 NUT $\frac{3}{8}$ -16 HEX NYLOC
12..	539 103247....	1 LANYARD, SEAT	27..	539 990598....	1 WASHER $\frac{1}{4}$ FLAT
13..	539 130359....	1 SEAT BELT ASSY	28..	539 990517....	4 WASHER $\frac{3}{8}$ FLAT STD
14..	525 464701....	2 HHFS $\frac{5}{16}$ -18 x $\frac{3}{4}$	29..	539 104763....	8 RETAINER, U TYPE $\frac{5}{16}$ -18
15..	525 544001....	4 HHFS $\frac{5}{16}$ -18 x $1\frac{1}{4}$ TPBLT	30..	505 280001....	2 TIE WRAP w/ CLIP

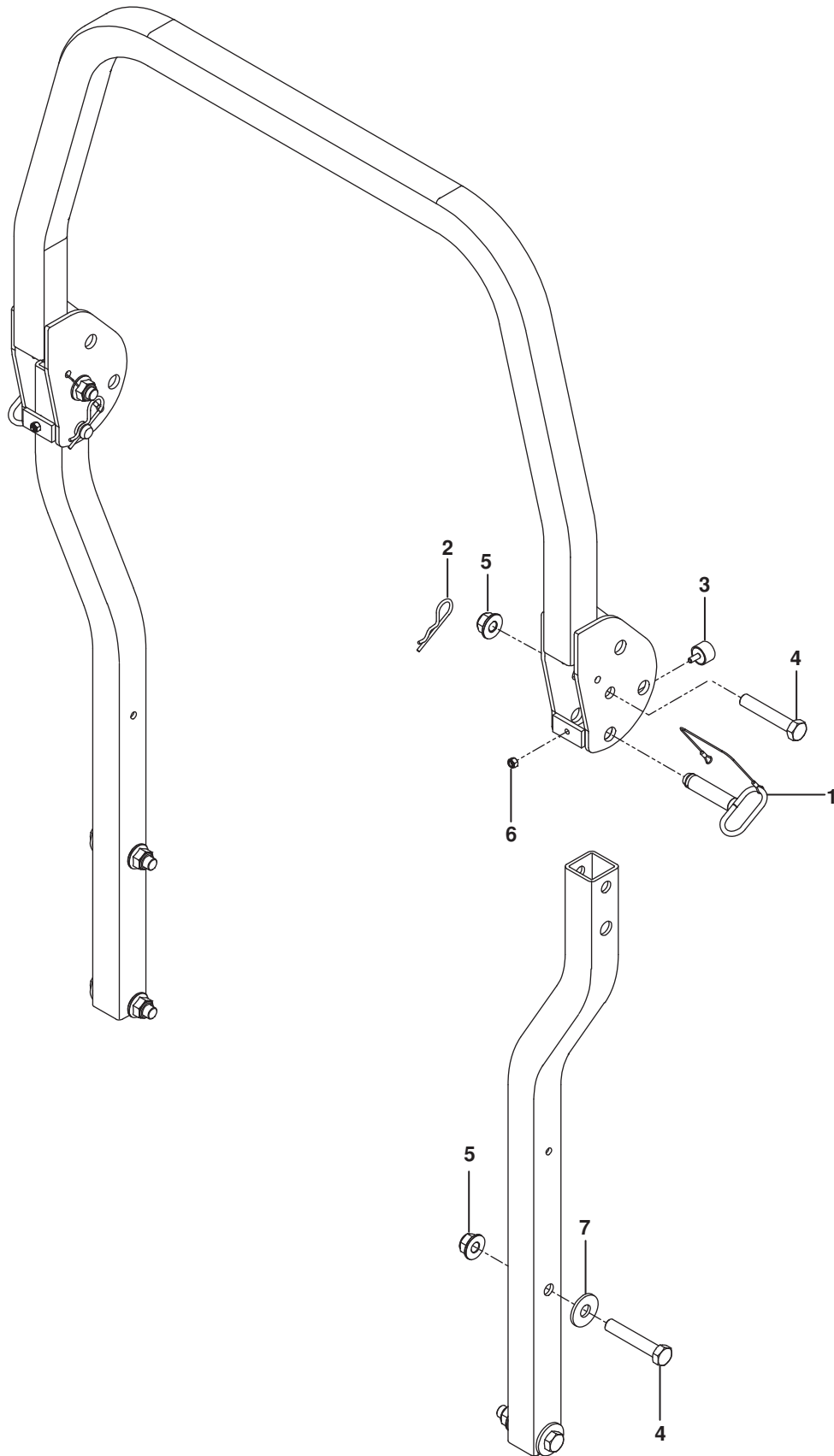
DECALS



DECALS

ITEM	PART NO.	QTY.	DESCRIPTION	ITEM	PART NO.	QTY.	DESCRIPTION
1..	539 107959....	1DECAL, WARNING	12..	539 110974....	2DECAL, TRACKING
2..	539 105745....	1DECAL, BATTERY WARNING	13..	539 132039....	1DECAL, HEIGHT ADJUST
3..	539 103333....	2DECAL, MOTION CONTROL	14..	539 132187....	1DECAL, SERVICE
4..	539 913010....	1DECAL, BLADE WARNING	15..	532 429196....	2DECAL, HUSQVARNA
5..	539 105744....	1DECAL, DANGER BLT DRIVE	16..	532 428676....	2DECAL, CROWN H
6..	539 105743....	2DECAL, NO STEP	17..	581 513701....	1DECAL, M-ZT61
7..	581 513701....	1DECAL, HYDROGEAR	18..	574 841103....	1DECAL, CONSOLE
8..	539 105746....	1DECAL, SEVERING	19..	574 569002....	1DECAL, ROPS, WARNING
9..	539 112620....	1DECAL, BELT ROUTING	20..	574 569005....	1DECAL.ROPS
10..	539 113213....	1DECAL, WARNING	21..	539 977778....	2PAD, ABRASIVE LG
11..	581 724401....	1DECAL, DEFLECTOR	22..	539 121322....	3PAD, ABRASIVE SM

PROTECTION FRAME



PROTECTION FRAME

ITEM	PART NO.	QTY.	DESCRIPTION	ITEM	PART NO.	QTY.	DESCRIPTION
1..	574 388001....2	PIN w/ CABLE	5..	525 829101....6	NUT $\frac{5}{8}$ -11 FLG NYLOC
2..	539 200715....2	HAIR PIN #210	6..	539 976978....2	NUT $\frac{1}{4}$ -20 HEX NYLOC
3..	522 801401....2	BUMPER, MALE STUD $\frac{1}{4}$ -20	7..	539 102653....4	WASHER $\frac{5}{8}$ STD FLAT
4..	580 754601....6	HCS $\frac{5}{8}$ -11 x $3\frac{1}{2}$				