

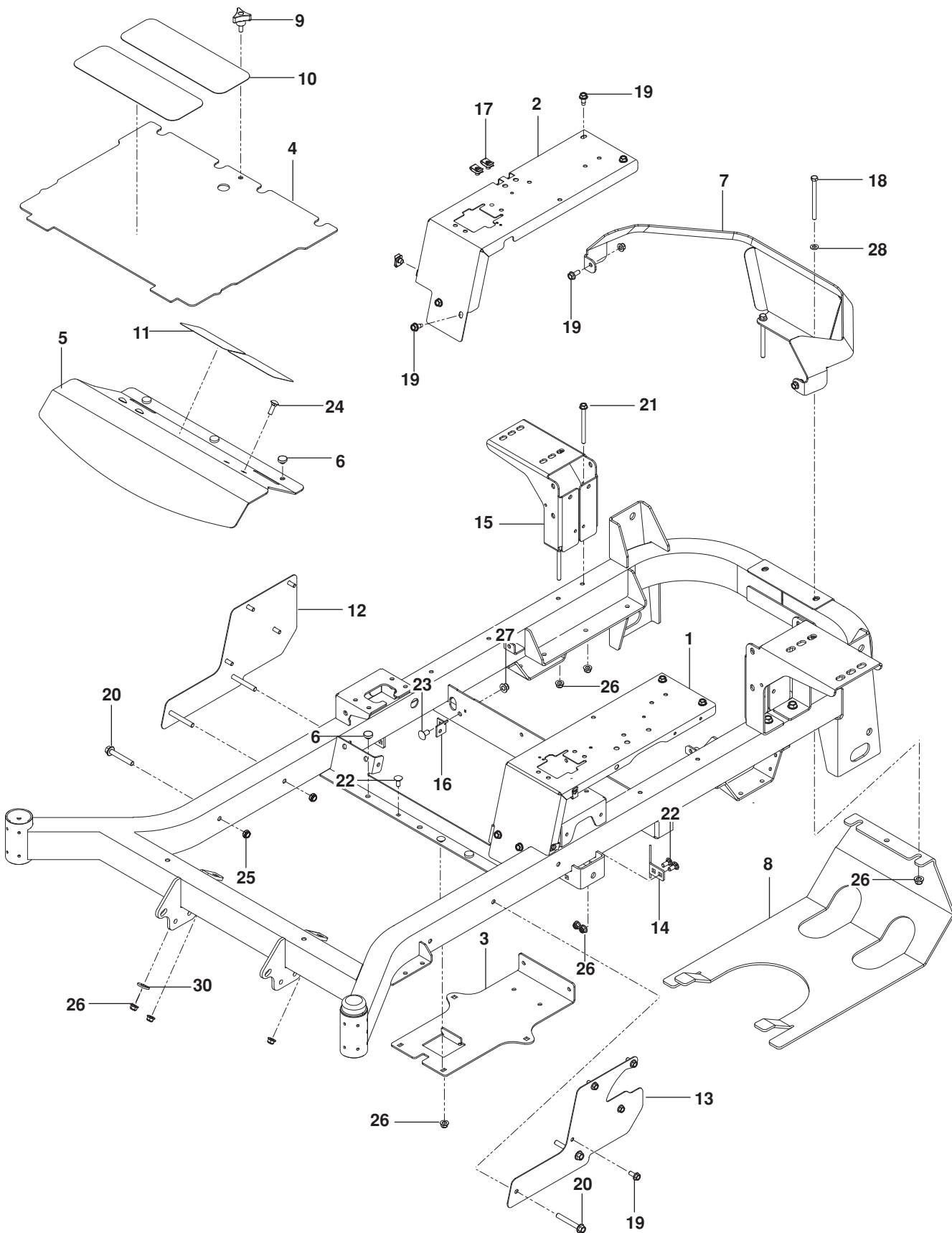
Gasoline containing up to 10% ethanol (E10) is acceptable for use in this machine. The use of any gasoline exceeding 10% ethanol (E10) will void the product warranty.

Parts Manual **M-ZT52 / 967177001**



Please read the operator's manual carefully and make sure you understand the instructions before using the machine.

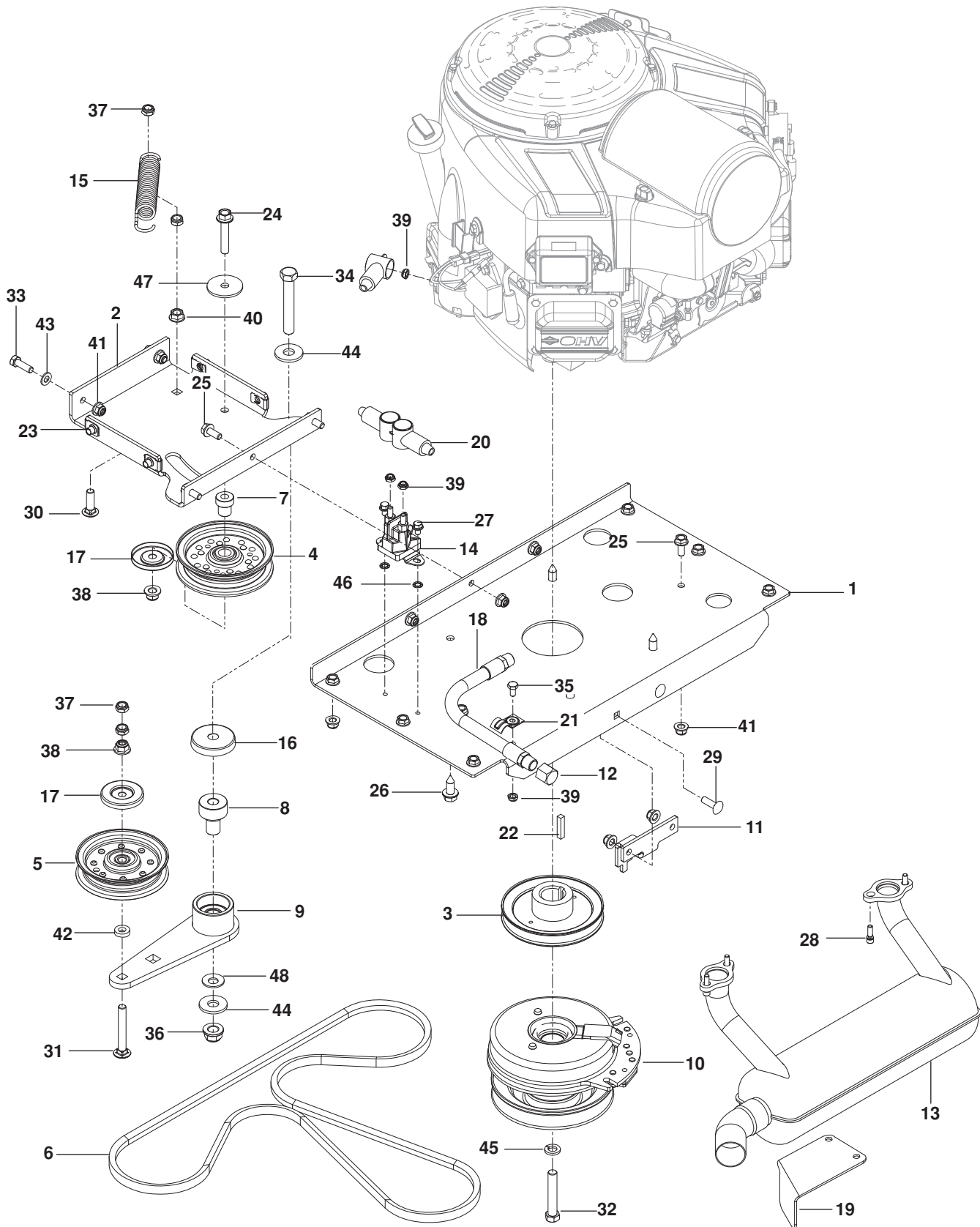
FRAME



FRAME

ITEM	PART NO.	QTY.	DESCRIPTION	ITEM	PART NO.	QTY.	DESCRIPTION
1..	577 256802....	1 PANEL, FILLER LT ORG	16..	575 245202....	2 BRACKET, DAMPENER BLK
2..	577 256902....	1 PANEL, FILLER RT ORG	17..	539 104763....	8 RETAINER-U TYPE
3..	575 017202....	1 PLATE, BATTERY ORG	18..	539 102335....	2 HCS $\frac{5}{16}$ -18 x 4
4..	539 132744....	1 PLATE w/ SAFTY DECAL ORG	19..	525 464701..	16 HHFS $\frac{5}{16}$ -18 x $\frac{3}{4}$
5..	539 132380....	1 PLATE, FOOTREST ORG	20..	539 131781....	5 HHFS $\frac{3}{8}$ -16 x $2\frac{3}{4}$
6..	539 102587....	7 GROMMET, BUMPER	21..	539 131780....	4 HHFS $\frac{5}{16}$ -18 x $3\frac{3}{4}$
7..	575 348402....	1 GUARD, REAR	22..	539 990316....	6 RHSNB $\frac{5}{16}$ -18 x $\frac{3}{4}$
8..	521 921801....	1 GUARD, SKID	23..	539 109117....	2 RHSNB $\frac{3}{8}$ -16 x $\frac{3}{4}$
9..	539 104411....	1 KNOB w/ STUD	24..	539 990208....	3 RHSNB $\frac{5}{16}$ -18 x 1
10..	539 977778....	2 PAD, ABRASIVE LG	25..	539 200282....	5 NUT $\frac{3}{8}$ -16 HEX JAM NYLOC
11..	539 121322....	2 PAD, ABRASIVE SM	26..	539 112899..	17 NUT $\frac{5}{16}$ -18 HEX FLG NYLOC
12..	577 259801....	1 SIDE, LT BLK	27..	521 996501....	2 NUT $\frac{3}{8}$ -16 HEX FLG NYLOC
13..	577 259701....	1 SIDE, RT BLK	28..	539 990188....	2 WASHER $\frac{5}{16}$ SAE FLT
14..	505 256401....	2 STOP, DECK	29..	539 109554....	1 WASHER $\frac{1}{2}$ FLT
15..	575 533602....	2 MOUNT, TANK BLK				

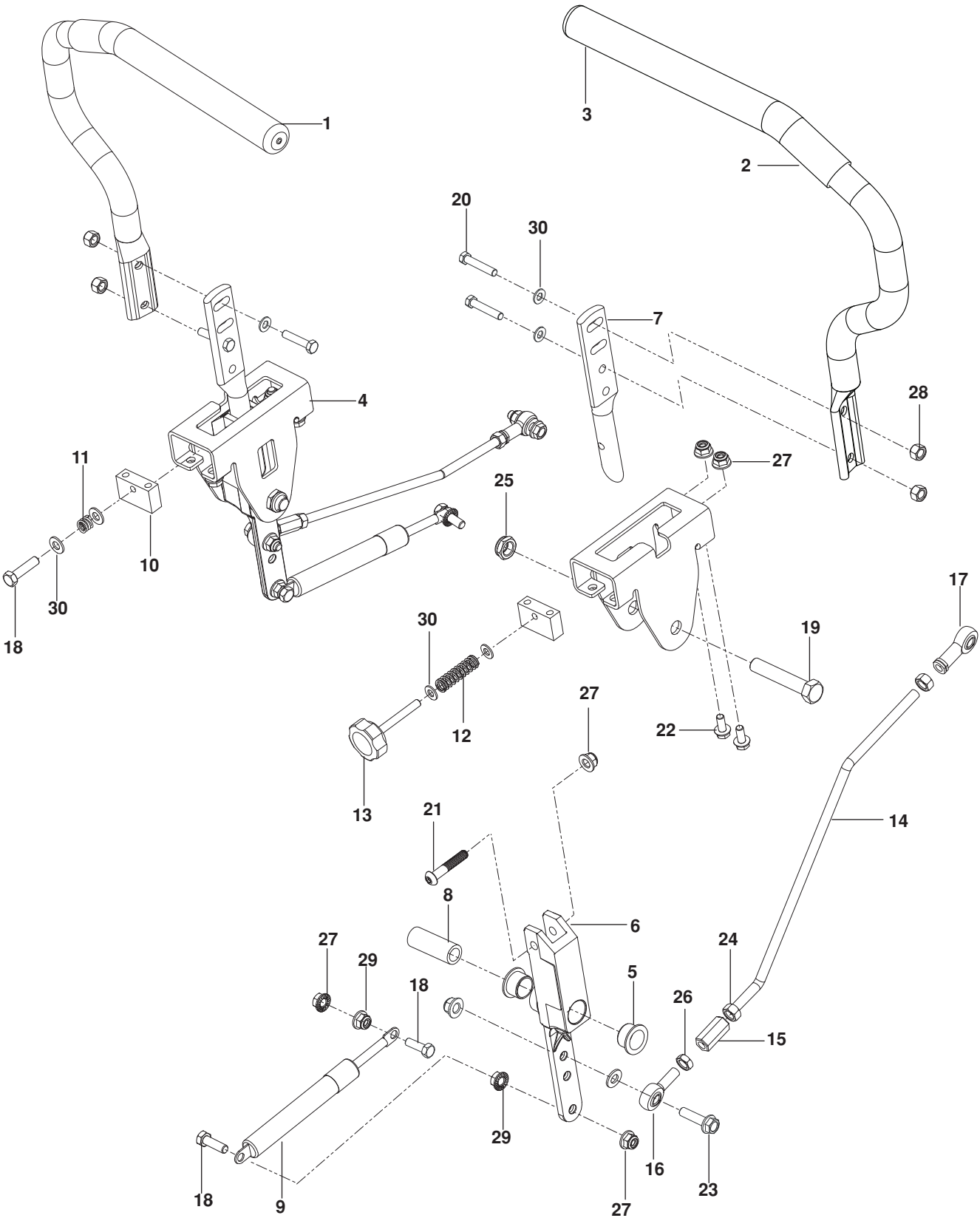
ENGINE PLATE



ENGINE PLATE

ITEM	PART NO.	QTY.	DESCRIPTION	ITEM	PART NO.	QTY.	DESCRIPTION
1..	574 846302....	1 PLATE, ENGINE, BLK	27..	539 990302....	2 SCREW 1/4-20 x 8 THD FRM
2..	574 846402....	1 PLATE, IDLER SUPPORT, BLK	28..	532 183906....	4 SCREW 5/16-18 x 1 SKT HD
3..	574 811001....	1 PULLEY, V, 1.125 BORE	29..	539 107271....	2 RHSSNB 5/16-18 x 1
4..	539 976688....	1 PULLEY, IDLER	30..	539 100413....	1 RHSNB 3/8-16 x 1 1/4
5..	539 107620....	1 PULLEY, IDLER SECONDARY	31..	539 130235....	1 RHSNB 3/8-16 x 2 3/4
6..	574 870901....	1 BELT	32..	539 991120....	1 HCS 7/16-20 x 2 1/2
7..	525 435601....	1 PIVOT, IDLER	33..	539 990209....	2 HCS 5/16-18 x 1
8..	510 206301....	1 PIVOT, BEARING	34..	539 103433....	1 HCS 1/2-13 x 3 1/4
9..	510 041603....	1 ARM, IDLER w/ BEARINGS	35..	539 990071....	1 HCS 1/4-20 x 1/2
10..	574 607001....	1 CLUTCH, 200 FT-LB	36..	521 991101....	1 NUT 1/2-13 HEX FLANGE NYL
11..	575 017302....	1 STOP, CLUTCH BLK	37..	539 200282....	4 NUT 3/8-16 HEX JAM NYLOC
12..	539 101364....	1 PLUG, OIL	38..	521 996501....	2 NUT 3/8-16 HEX FLANGE NYL
13..	576 701801....	1 MUFFLER, B&S CYCLONIC	39..	539 108120....	4 NUT 1/4-20 HEX THIN
14..	539 101714....	1 SOLENOID	40..	539 990613....	1 NUT 3/8-16 HEX WHIZLK
15..	510 254401....	1 SPRING, PUMP	41..	539 112899..	15 NUT 5/16-18 HEX FLANGE NYL
16..	539 114662....	1 SHIELD, DUST	42..	539 109562....	1 WASHER 3/8 x 3/4
17..	510 254501....	2 SHIELD, DUST	43..	539 990188....	2 WASHER 5/16 SAE FLAT
18..	539 101362....	1 HOSE, DRAIN	44..	539 109554....	2 WASHER 1/2 FLAT ZD
19..	579150901	1 SHIELD, MUFFLER	45..	539 990247....	1 WASHER 7/16 SLW
20..	539 102759....	3 INSULATOR	46..	539 990053....	2 WASHER 1/4 INT TOOTH LK
21..	539 101363....	1 CLAMP	47..	539 111897....	1 WASHER, SPECIAL
22..	539 912757....	1 KEY 1/4 SQ x 1 1/4	48..	539 115528....	1 WASHER 1/2" BELLEVILLE
23..	539 104763....	4 RETAINER, U TYPE	NOT SHOWN			
24..	525 866201....	1 HHFS 3/8-16 x 2	539 107516	1 PIGTAIL CV490S	
25..	525 464701..	11 HHFS 5/16-18 x 3/4	532 165391	1 GASKET, MUFFLER	
26..	532 120616....	4 HHFS 3/8-16 x 1 THD FRM				

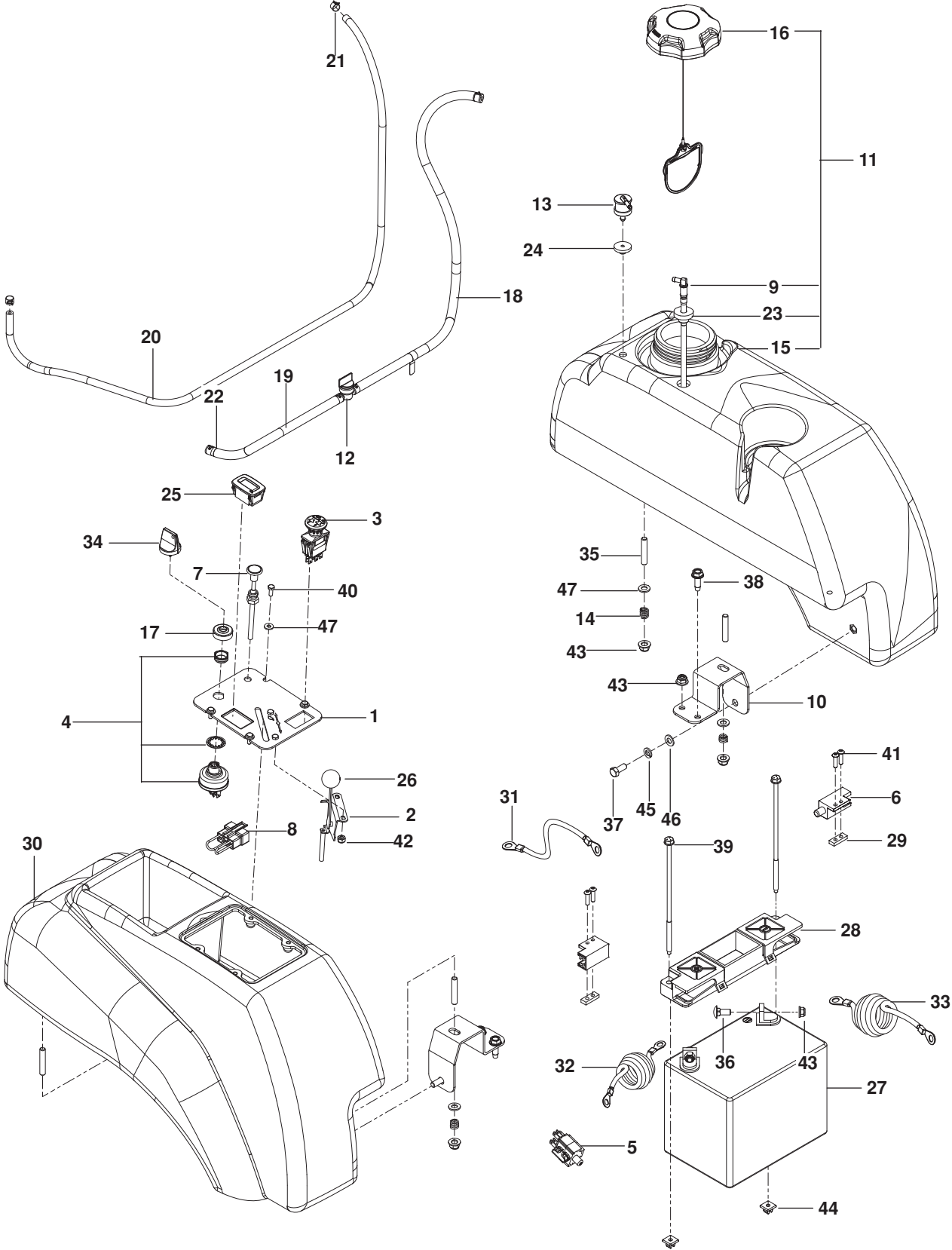
STEERING



STEERING

ITEM	PART NO.	QTY.	DESCRIPTION	ITEM	PART NO.	QTY.	DESCRIPTION
1..	539 132009....	1	LEVER w/ GRIP RT	16..	539 116690....	2	ROD END LT
2..	539 132010....	1	LEVER w/ GRIP LT	17..	539 115729....	2	ROD END RT
3..	539 130894....	2	GRIP, FOAM	18..	539 990627....	5	HCS $\frac{5}{16}$ -18 x $1\frac{1}{4}$
4..	577 251701....	2	BRACKET, CONTROL	19..	539 101332....	2	HCS $\frac{1}{2}$ -13 x $2\frac{3}{4}$
5..	539 131518....	4	BEARING, FLANGE	20..	539 976935....	4	HCS $\frac{5}{16}$ -18 x $1\frac{1}{2}$
6..	576 140301....	2	LEVER, CONTROL	21..	576 850402....	2	SCREW $\frac{5}{16}$ -18 X $1\frac{3}{4}$ BTN HD
7..	577 420001....	2	LEVER, HANDLE	22..	525 464701....	8	HHFS $\frac{5}{16}$ -18 X $\frac{3}{4}$
8..	577 252401....	2	SPACER, PIVOT CONTROL	23..	525 544001....	4	HHFS $\frac{5}{16}$ -18 x $1\frac{1}{4}$ TPBLT
9..	539 102720....	2	DAMPENER	24..	539 990223....	4	NUT $\frac{5}{16}$ -24 HEX
10..	577 251801	2	BLOCK, TRACKING	25..	539 108010....	2	NUT $\frac{1}{2}$ -13 HEX JAM NYL GR2
11..	539 102845....	1	SPRING	26..	539 991073....	2	NUT $\frac{5}{16}$ -24 HEX JAM LH
12..	576 850301....	1	SPRING	27..	539 112899..	10	NUT $\frac{5}{16}$ -18 HEX FLG NYLOC
13..	539 131799....	1	KNOB	28..	539 990717....	6	NUT $\frac{5}{16}$ -18 HEX NYLOC
14..	574 811401....	2	ROD, MOTION CONTROL	29..	539 990585....	4	NUT $\frac{5}{16}$ -18 HEX WHIZLK
15..	539 116689....	2	COUPLER, ROD END	30..	539 990188..	12	WASHER $\frac{5}{16}$ SAE FLT

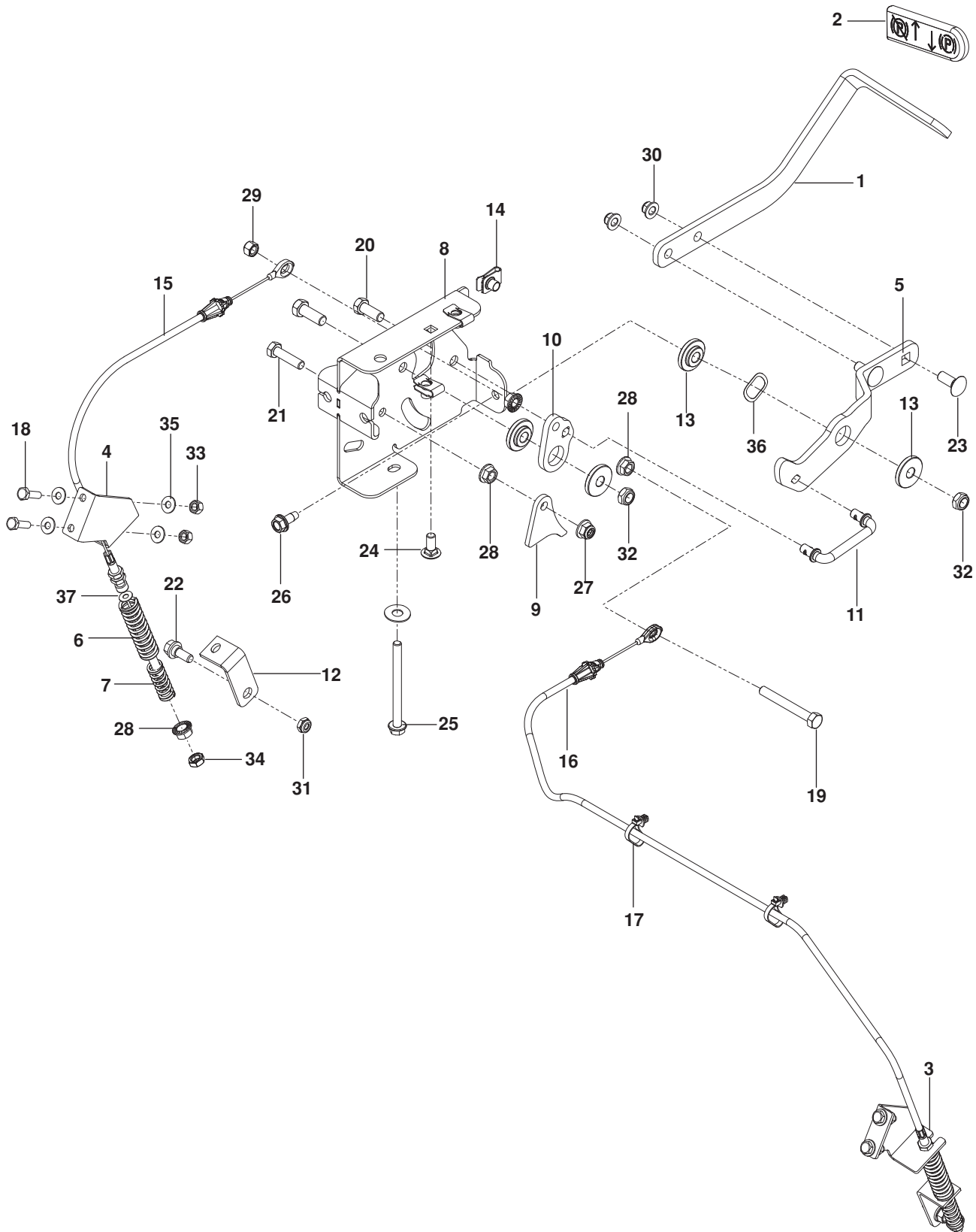
IGNITION



IGNITION

ITEM	PART NO.	QTY.	DESCRIPTION	ITEM	PART NO.	QTY.	DESCRIPTION
1..	574 841204....	1 PLATE, CONSOLE, BLK	26..	539 133049....	1 KNOB
2..	539 112438....	1 CABLE, THROTTLE	27..	539 102436....	1 BATTERY
3..	539 131627....	1 SWITCH, PTO 10 AMP	28..	539 107628....	1 BATTERY HOLD DOWN
4..	574 455401....	1 SWITCH, IGNITION	29..	539 102678....	2 PLATE, TAPPED
5..	539 113792....	1 SWITCH, BRAKE	30..	539 107593....	1 CONSOLE, RT
6..	532 109553....	2 SWITCH, INTERLOCK	31..	539 104974....	1 CABLE, POSITIVE 31"
7..	539 113458....	1 CHOKE CONTROL	32..	539 102757....	1 CABLE, POSITIVE 8"
8..	575 321001....	1 PLUG, TIMER	33..	539 107645....	1 CABLE, NEGATIVE 32"
9..	576 469201....	1 FITTING, FUEL	34..	574 455501....	1 KEY, IGNITION
10..	539 131671....	2 SUPPORT, TANK, BLK	35..	539 102502....	6 STUD $\frac{5}{16}$ -18
11..	576 368102....	1 TANK ASSY LT	36..	539 990316....	2 RHSNB $\frac{5}{16}$ -18 x $\frac{3}{4}$
12..	539 916325....	1 VALVE, FUEL	37..	539 976934....	2 HCS $\frac{5}{16}$ -18 x $\frac{3}{4}$
13..	576 618101....	1 VALVE, FUEL CHECK	38..	539 113226....	3 BOLT $\frac{5}{16}$ -18 x 1 THD FRM
14..	539 102845....	6 SPRING	39..	539 107632....	2 BOLT $\frac{1}{4}$ x $7\frac{1}{2}$
15..	576 368101....	1 TANK, FUEL LT	40..	539 990411....	6 SCREW #10-24 x $\frac{1}{2}$ SLT
16..	575 018101....	1 FUEL CAP w /TETHER	41..	574 822701....	4 SCREW #10-24 x $\frac{3}{4}$ SKT HD
17..	539 103178....	1 CAP, IGNITION SWITCH NUT	42..	539 976977....	2 NUT #10-24 NYLOC
18..	539 107765....	1 HOSE, FUEL 26"	43..	539 112899..	12 NUT $\frac{5}{16}$ -18 HEX FLANGE NYL
19..	539 932956....	1 HOSE, FUEL 10"	44..	539 107629....	2 NUT $\frac{1}{4}$ PUSH NYLON
20..	576 660602....	1 HOSE $\frac{3}{16}$ VAPOR 48"	45..	539 990187....	2 WASHER $\frac{5}{16}$ SLW
21..	575 436501....	2 CLAMP, HOSE	46..	539 990188....	8 WASHER $\frac{5}{16}$ SAE
22..	539 912222....	4 CLAMP, HOSE	47..	539 105408....	4 WASHER #10
23..	539 105245....	1 GROMMET, RUBBER	NOT SHOWN			
24..	576 618201....	1 GROMMET, CHECK VALVE	575 320901 ...	1 HARNESS, MAIN	
25..	532 401763....	1 HOUR METER	539 976856 ...	8 WIRE TIE	

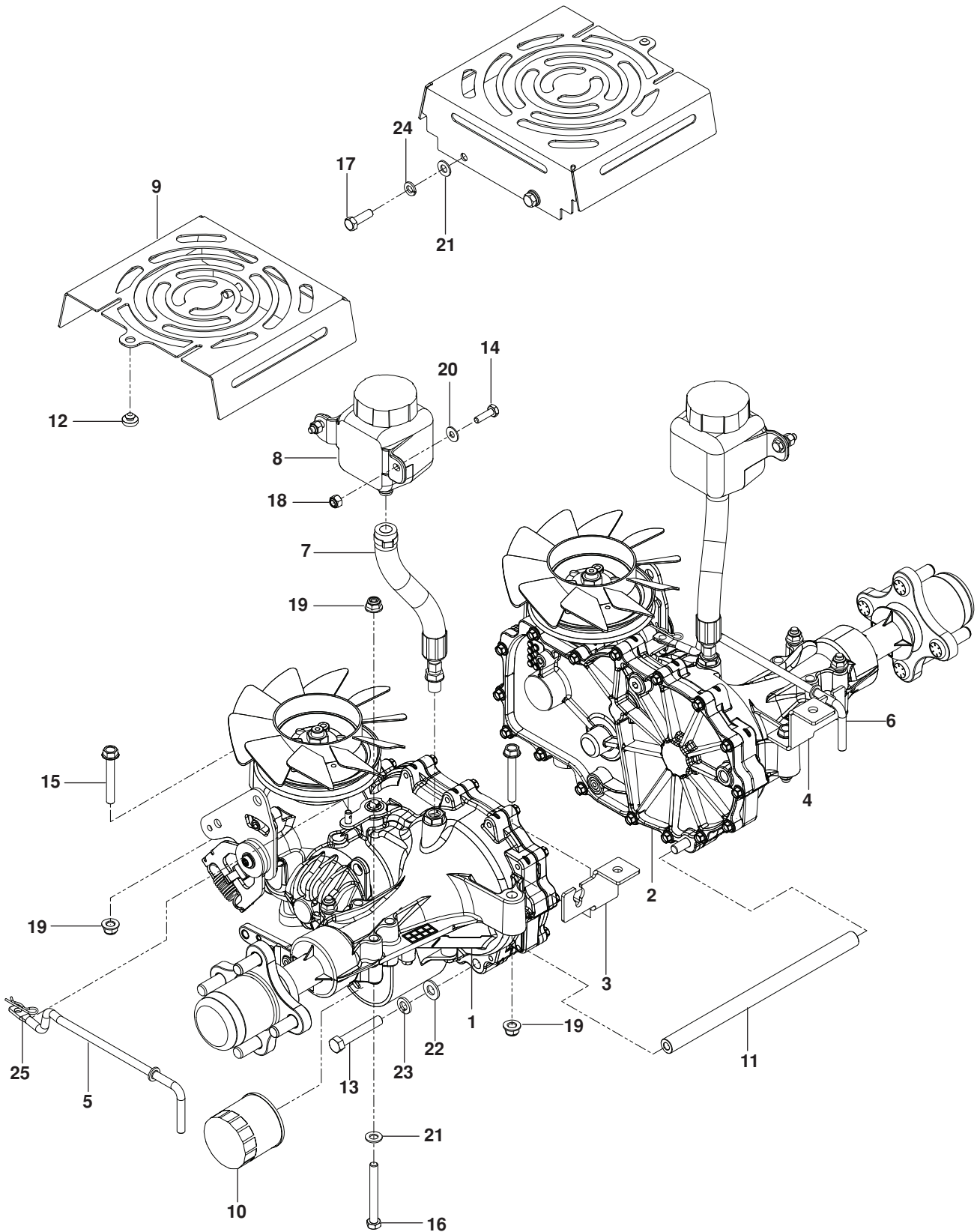
PARKING BRAKE



PARKING BRAKE

ITEM	PART NO.	QTY.	DESCRIPTION	ITEM	PART NO.	QTY.	DESCRIPTION
1..	539 132151....	1	ARM, BRAKE	20..	539 990563....	2	HCS $\frac{3}{8}$ -16 x 1
2..	539 105036....	1	GRIP, BRAKE HANDLE	21..	539 990209....	1	HCS $\frac{5}{16}$ -18 x 1
3..	575 229602....	1	BRACKET, RT BLK	22..	539 110303....	2	BOLT $\frac{5}{16}$ SHOULDER
4..	575 229702....	1	BRACKET, LT BLK	23..	539 990645....	2	RHSNB $\frac{3}{8}$ -16 x 1
5..	539 132423....	1	LEVER, BRAKE	24..	539 990316....	1	RHSNB $\frac{5}{16}$ -18 x $\frac{3}{4}$
6..	575 230201....	2	SPRING, RETURN	25..	539 131780....	1	HHFS $\frac{5}{16}$ -18 x $3\frac{3}{4}$
7..	575 230301....	2	SPRING, ENGAGEMENT	26..	539 107475....	1	BOLT $\frac{5}{16}$ -18 x $\frac{3}{4}$ THD FRM
8..	539 132158....	1	MOUNT, BRAKE	27..	539 112899....	4	NUT $\frac{5}{16}$ -18 FLANGE NYLOC
9..	539 132154....	1	ACTUATOR, SWITCH	28..	539 990585....	5	NUT $\frac{5}{16}$ -18 HEX WHIZLK
10..	539 132153....	1	BELLCRANK, BRAKE	29..	539 990717....	1	NUT $\frac{5}{16}$ -18 HEX NYLOC
11..	539 132424....	1	LINKAGE, BRAKE	30..	521 996501....	2	NUT $\frac{3}{8}$ -16 HEX FLG NYLOC
12..	575 229802....	2	BRACKET, BRAKE	31..	539 115617....	2	NUT $\frac{5}{16}$ HEX NYLOC
13..	539 132161....	4	BUSHING, BRAKE	32..	539 200282....	2	NUT $\frac{3}{8}$ -16 HEX JAM NYLOC
14..	539 104763....	3	RETAINER, U TYPE $\frac{5}{16}$ -18	33..	539 976978....	4	NUT $\frac{1}{4}$ -20 HEX NYLOC
15..	539 132173....	1	CABLE, BRAKE SHORT	34..	539 107897....	2	NUT $\frac{5}{16}$ -18 HEX JAM
16..	539 132174....	2	CABLE, BRAKE LONG	35..	539 990055....	8	WASHER $\frac{1}{4}$ SAE FLT
17..	505 280001....	2	TIE w/ CLIP	36..	539 133007....	1	WASHER .825 WAVE
18..	539 990643....	4	HCS $\frac{1}{4}$ -20 x $\frac{7}{8}$	37..	539 990122....	2	WASHER $\frac{3}{8}$ SAE
19..	539 108396....	1	HCS $\frac{5}{16}$ -18 x $2\frac{1}{2}$ TPBLT	38..	539 109554....	1	WASHER $\frac{1}{2}$ FLT

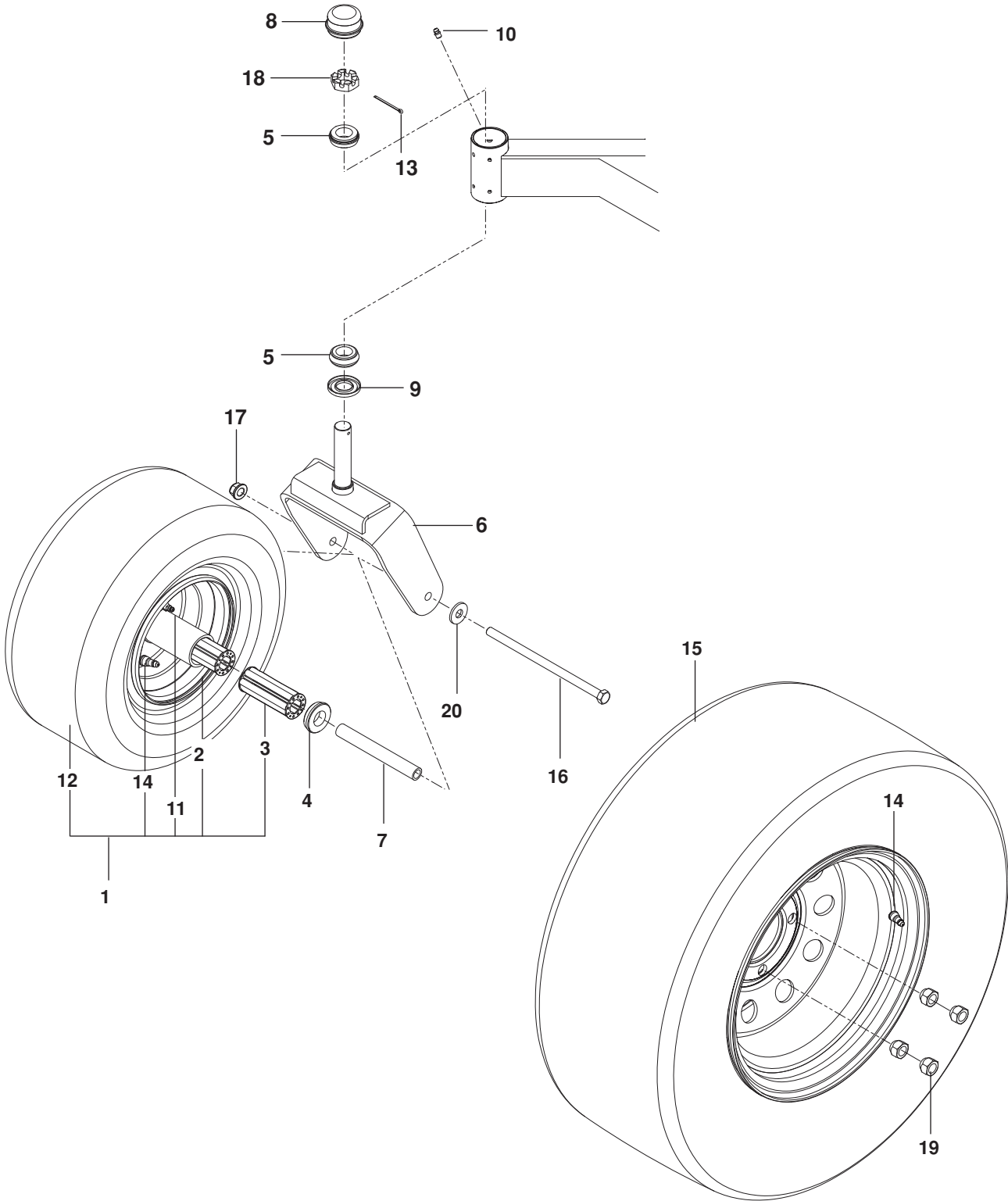
HYDRAULIC PUMP-MOTOR



HYDRAULIC PUMP-MOTOR

ITEM	PART NO.	QTY.	DESCRIPTION	ITEM	PART NO.	QTY.	DESCRIPTION
1..	574 569101....	1 TRANS, ZT-3400, LT	15..	574 233801....	4 HHFS ⁵ / ₁₆ -18 x 2 ¹ / ₄
2..	574 569102....	1 TRANS, ZT-3400, RT	16..	539 101721....	4 HCS ⁵ / ₁₆ -18 x 2 ³ / ₄
3..	575 017102....	1 BRACKET, TRANS, LT BLK	17..	539 990209....	4 HCS ⁵ / ₁₆ -18 x 1
4..	575 017002....	1 BRACKET, TRANS, RT BLK	18..	539 976978....	4 NUT ¹ / ₄ -20 HEX NYLOC
5..	539 131616....	1 LINKAGE, LEFT BYPASS	19..	539 112899....	8 NUT ⁵ / ₁₆ -18 HEX FLANGE NYL
6..	539 131618....	1 LINKAGE, RIGHT BYPASS	20..	539 990055....	4 WASHER ¹ / ₄ FLAT SAE
7..	574 892101....	2 HOSE, EXPANSION	21..	539 990188....	8 WASHER ⁵ / ₁₆ SAE FLAT
8..	574 811301....	2 TANK, EXPANSION	22..	539 990122....	2 WASHER ³ / ₈ SAE FLT
9..	575 778202....	2 COVER, FAN	23..	539 990118....	2 WASHER ³ / ₈ SPLT LK
10..	539 113466....	2 FILTER, HYDRO	24..	539 990187....	4 WASHER ⁵ / ₁₆ SLW
11..	574 868501....	1 TUBE, SPACER	25..	539 976988....	2 HAIRPIN COTTER
12..	539 102587....	2 GROMMET, BUMPER	NOT SHOWN			
13..	539 108551....	2 HCS ³ / ₈ -16 x 2 ¹ / ₂ GR8	580	906201 ...	1 SPACER, WHEEL
14..	539 990643....	4 HCS ¹ / ₄ -20 x ⁷ / ₈				

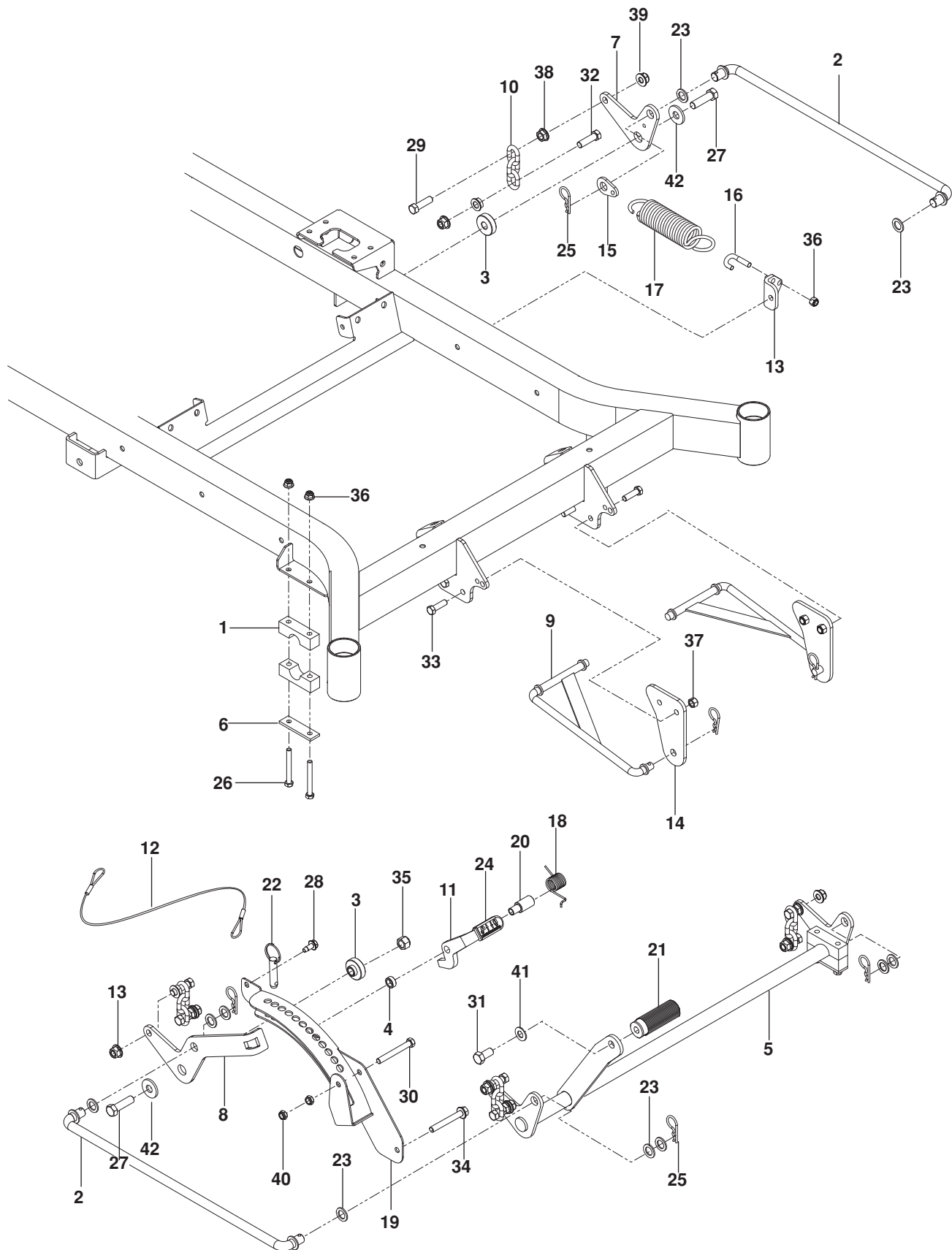
WHEELS



WHEELS

ITEM	PART NO.	QTY.	DESCRIPTION	ITEM	PART NO.	QTY.	DESCRIPTION
1..	575 348701....	2	TIRE ASSY, CASTER	11..	539 103300....	2	ZERK ¼ -28 ANGLED
2..	575 622101....	2	RIM 6 x 4.50 CASTER	12..	575 622201....	2	TIRE, 13 x 6.50
3..	539 105307....	4	BEARING, ROLLER	13..	539 102889....	2	COTTER PIN 1/8 x 2
4..	539 102484....	4	BEARING, FLANGE	14..	539 912234....	4	VALVE STEM
5..	539 102543....	4	BEARING	15..	521 964101....	2	TIRE ASSY, REAR
6..	575 329203....	2	YOKE, CASTER, BLUE	16..	539 105517....	2	HCS ½-13 x 9½
7..	575 334901....	2	SPACER, PIVOT	17..	521 991101....	2	NUT ½-13 HEX FLANGE NYL
8..	539 102535....	2	GREASE CAP	18..	539 102852....	2	NUT, SLOTTED JAM
9..	539 102851....	2	SEAL	19..	539 101173....	8	NUT ½ HEX LUG
10..	539 101474....	2	ZERK	20..	539 109554....	2	WASHER ½ FLAT

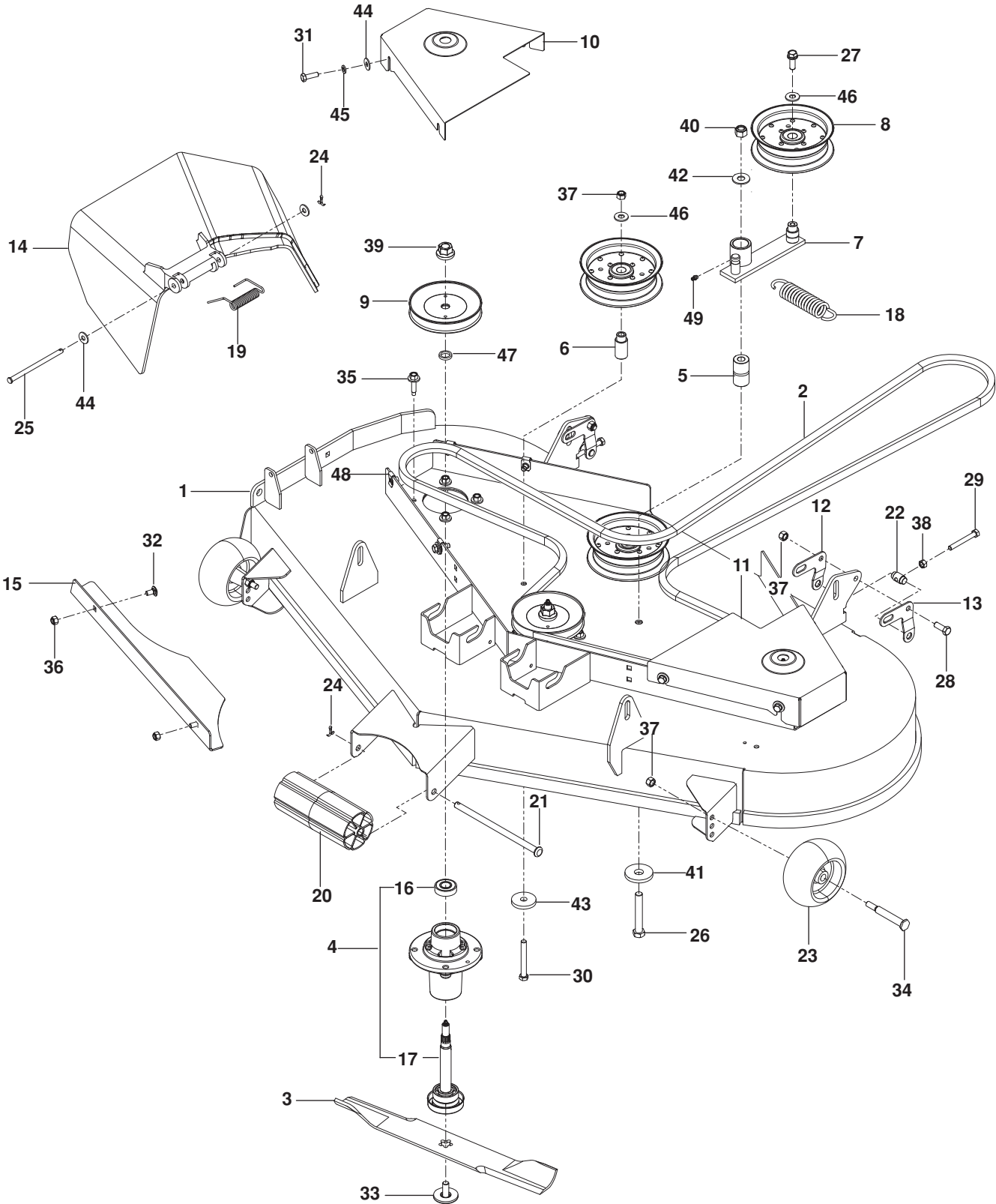
MOWER LIFT / DECK LIFT



MOWER LIFT / DECK LIFT

ITEM	PART NO.	QTY.	DESCRIPTION	ITEM	PART NO.	QTY.	DESCRIPTION
1..	539 104808....4	PILLOW BLOCK	22..	539 132182....1	PIN 1/2 x 1 1/2 DETENT RING
2..	539 110808....2	LINK, DECK LIFT	23..	539 991043..10	BUSHING .625
3..	539 118937....2	SPACER, IDLER	24..	539 132851....1	GRIP
4..	539 131861....1	SPACER	25..	539 115501....6	PIN, COTTER 1 3/4
5..	581 215202....1	SHAFT, FRONT LIFT BLK	26..	539 101721....4	HCS 5/16-18 x 2 3/4
6..	539 104807....2	REINFORCEMENT BAR	27..	539 108181....2	HCS 1/2-13 x 1 3/4 GR 8
7..	539 131897....1	BELLCRANK, RR, LIFT BLK	28..	539 107475....1	BOLT 5/16-18 x 3/4 THD FRM
8..	539 131853....1	BELLCRANK, RR, RT BLK	29..	539 101175....4	HCS 7/16-14 x 1 1/2
9..	539 112223....2	LINKAGE, STRUT	30..	539 101341....1	HCS 3/8-16 x 3
10..	539 109693....4	LIFT CHAIN-3 LINK	31..	539 990646....1	HCS 1/2-13 x 1 3/4
11..	539 131566....1	LATCH, TRANSPORT	32..	539 108073....4	HCS 7/16-14 x 1 3/4
12..	539 105059....1	LANYARD	33..	539 976941....4	HCS 3/8-16 X 1 1/4
13..	539 131791....1	MOUNT, SPRING	34..	539 131781....1	HHFS 3/8-16 x 2 3/4
14..	539 132017....2	MOUNT, STRUT	35..	539 101331....2	NUT 1/2 HEX NYLOC
15..	539 131792....1	TAB, SPRING	36..	539 112899....5	NUT 5/16-18 HEX FLG NYLOC
16..	539 112896....1	J-BOLT	37..	539 976979....4	NUT 3/8-16 HEX NYLOC
17..	539 102642....1	SPRING	38..	539 102582....8	NUT 7/16-14 HEX WHIZ LK
18..	539 132734....1	SPRING, TORSION	39..	539 132019....8	NUT 7/16-14 HEX WHIZ LK
19..	539 131850....1	HEIGHT ADJUST, DECK	40..	539 200282....2	NUT 3/8-16 HEX JAM NYLOC
20..	539 131860....1	PIVOT LATCH, TRANSPORT	41..	539 102843....1	WASHER 7/16 SPRING
21..	510 408301....1	PEDAL, FOOT	42..	539 109554....2	WASHER 1/2 FLT

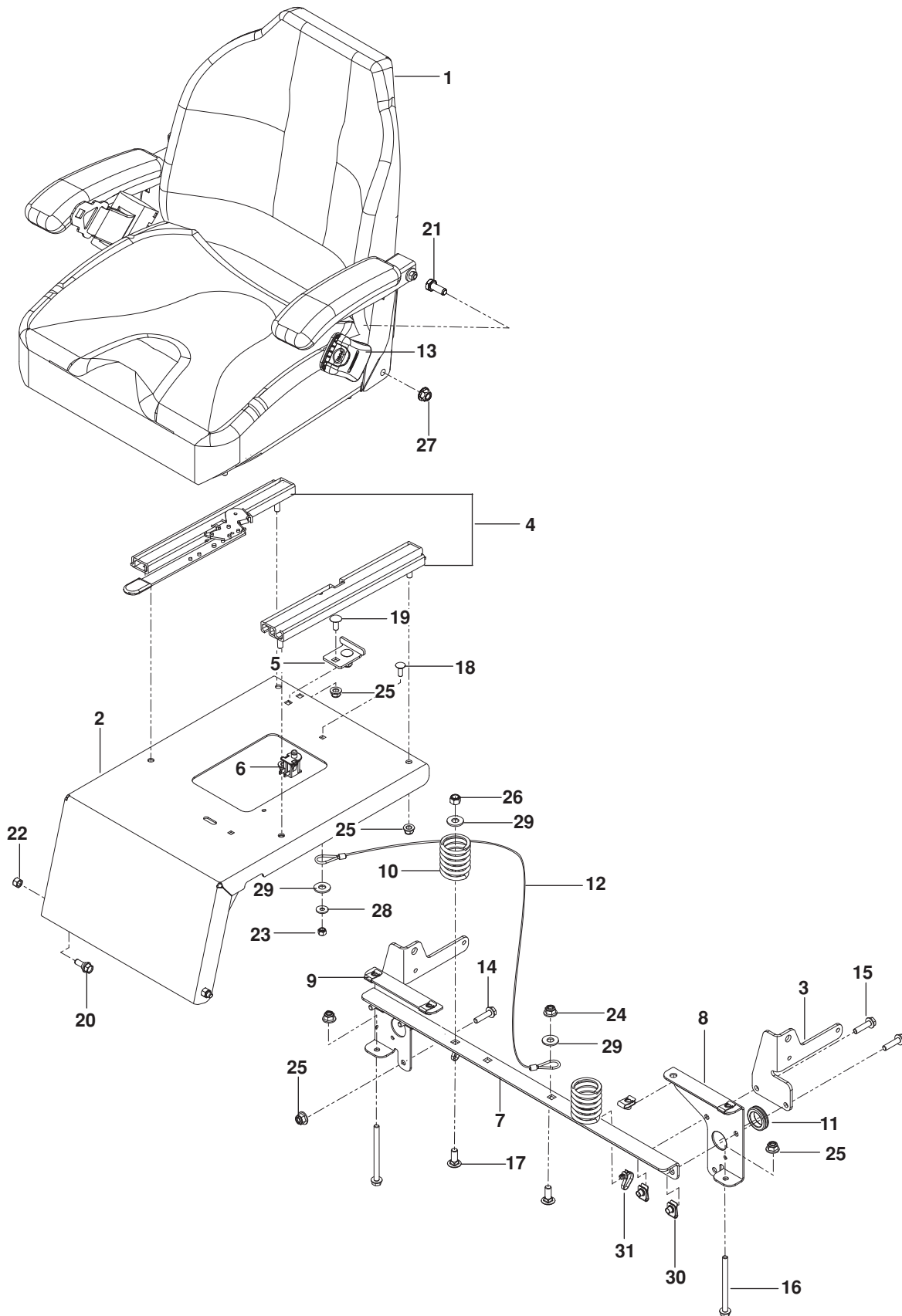
MOWER DECK / CUTTING DECK



MOWER DECK / CUTTING DECK

ITEM	PART NO.	QTY.	DESCRIPTION	ITEM	PART NO.	QTY.	DESCRIPTION
1..	581 505301....	1 DECK w/ SAFETY DECALS	26..	539 103433....	1 HCS 1/2-13 x 3 1/4
2..	522 811301....	1 BELT, DECK	27..	539 990582....	1 HCS 3/8-16 x 1 WHIZLK
3..	539 112079....	3 BLADE, 18"	28..	539 990563....	2 HCS 3/8-16 x 1
4..	539 131898....	3 HOUSING ASSY	29..	539 108396....	2 HCS 5/16-18 x 2 1/2 TPBLT
5..	539 103427....	1 BUSHING, PIVOT	30..	539 101341....	2 HCS 3/8-16 x 3
6..	539 112169....	2 BUSHING, IDLER	31..	539 990209....	8 HCS 5/16-18 x 1
7..	539 112198....	1 ARM, IDLER	32..	539 990799....	2 RHSNB 5/16-18 x 5/8
8..	539 132728....	3 PULLEY, IDLER	33..	532 193003....	3 BOLT 7/16 BLADE
9..	532 173436....	3 PULLEY	34..	539 107608....	2 BOLT 3/8-16 x 3 3/8 SHOULDER
10..	539 112242....	1 BELT SHIELD, RT	35..	539 107630..	12 SCREW 5/16-18 WSH HD
11..	539 112244....	1 BELT SHIELD, LT	36..	539 990717....	2 NUT 5/16-18 HEX NYLOC
12..	539 131857....	2 PITCH, ADJUST, RT	37..	539 976979....	6 NUT 3/8-16 HEX NYLOC
13..	539 131858....	2 PITCH, ADJUST, LT	38..	539 990196....	2 NUT 5/16-18 HEX
14..	539 110733....	1 CHUTE, DISCHARGE	39..	539 107590....	3 NUT 9/16 TOP CENTER LOCK
15..	539 112417....	1 PLATE, CONFINEMENT	40..	539 101331....	1 NUT 1/2 HEX NYLOC
16..	539 112050....	3 BEARING, BALL	41..	539 102243....	1 WASHER, SUPPORT
17..	532 187291....	1 SHAFT	42..	539 990550....	1 WASHER 1/2 STD FLT
18..	539 103256....	1 SPRING	43..	539 106504....	2 WASHER, HEAVY
19..	539 110735....	1 SPRING, TORSION	44..	539 990692..	10 WASHER 5/16 STD FLT
20..	532 176066....	1 ROLLER, NOSE	45..	539 990187....	8 WASHER 5/16 SLW
21..	532 179127....	1 ROD, ROLLER, NOSE	46..	539 990517....	2 WASHER 3/8 STD FLT
22..	539 131859....	2 TRUNION, PITCH	47..	539 107520....	3 WASHER-SPACER
23..	539 107610....	2 WHEEL, GAUGE	48..	539 104763....	8 RETAINER, U TYPE 5/16-18
24..	539 990365....	2 PIN, COTTER 1/8 x 3/4	49..	539 976998....	1 ZERK
25..	539 110736....	1 PIN, CLEVIS 5/16				

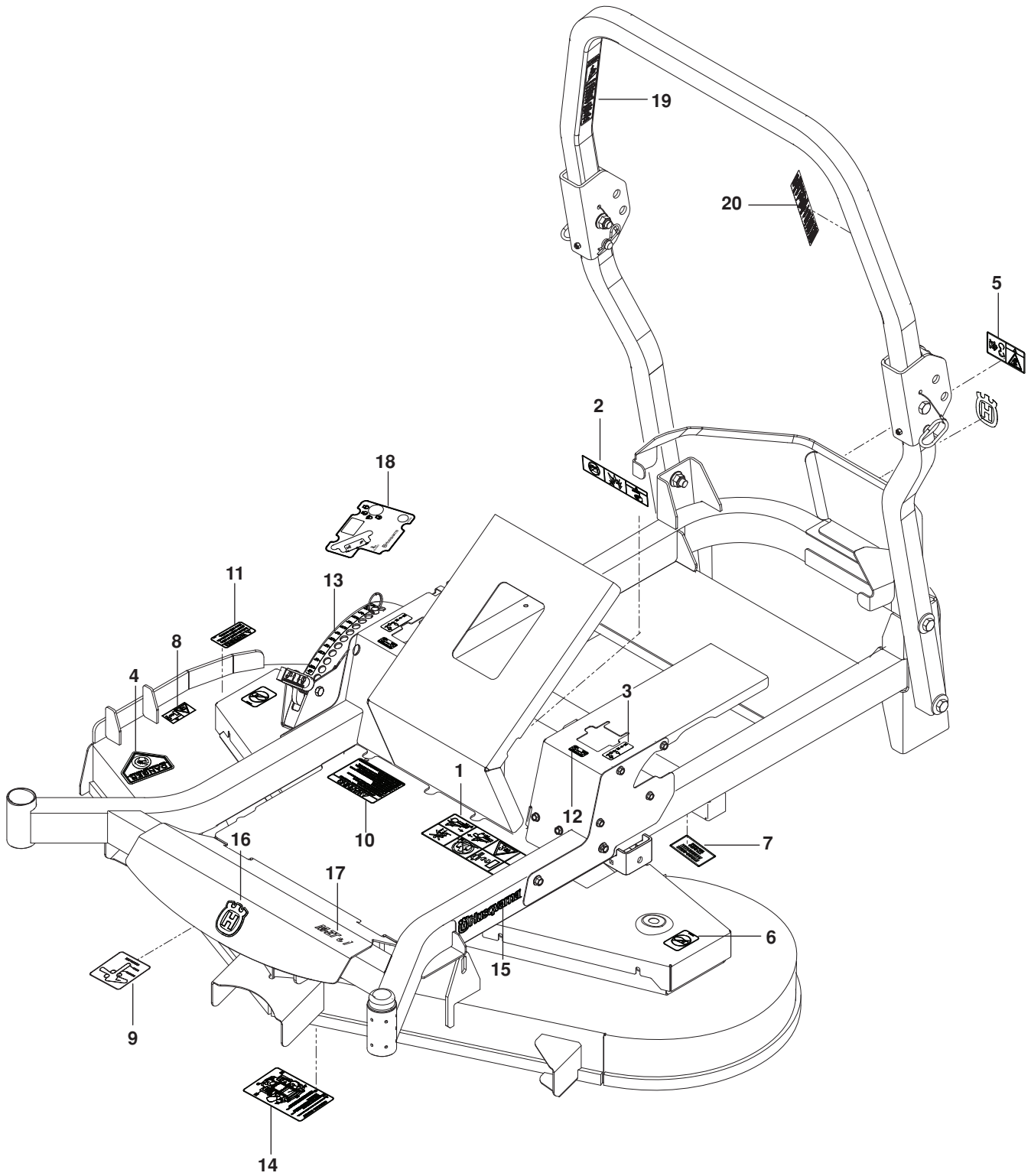
SEAT



SEAT

ITEM	PART NO.	QTY.	DESCRIPTION	ITEM	PART NO.	QTY.	DESCRIPTION
1..	576 702001....	1 SEAT ASSY	17..	539 990645....	3 RHSNB $\frac{3}{8}$ -16 x 1
2..	575 608601....	1 MOUNT, w/ SAFETY DECAL	18..	539 990074....	1 RHSNB $\frac{1}{4}$ -20 x $\frac{3}{4}$
3..	575 017402....	2 MOUNT, SEAT BELT	19..	539 109100....	2 RHSNB $\frac{5}{16}$ -18 x $\frac{3}{4}$
4..	576 702004....	1 ADJUSTMENT TRACK ASSY	20..	539 130896....	2 BOLT $\frac{5}{16}$ -18 SHOULDER
5..	539 130793....	1 DECK STOP	21..	539 100413....	2 HCS $\frac{7}{16}$ -14 x 1
6..	539 119741....	1 SWITCH, SEAT	22..	539 990717....	2 NUT $\frac{5}{16}$ -18 HEX NYLOC
7..	539 131656....	1 SUPPORT, SEAT BLK	23..	539 976978....	1 NUT $\frac{1}{4}$ -20 HEX NYLOC
8..	575 224002....	1 SUPPORT, RT BLK	24..	521 996501....	1 NUT $\frac{3}{8}$ -16 FLG HEX NYLOC
9..	575 224102....	1 SUPPORT, LT BLK	25..	539 112899..	10 NUT $\frac{5}{16}$ -18 FLG HEX NYLOC
10..	539 110300....	2 SPRING, SEAT BLK	26..	539 976979....	2 NUT $\frac{3}{8}$ -16 HEX NYLOC
11..	539 105974....	1 GROMMET RUBBER	27..	539 132019....	2 NUT $\frac{7}{16}$ -14 HEX WHIZ LK
12..	539 103247....	1 LANYARD, SEAT	28..	539 990598....	1 WASHER $\frac{1}{4}$ FLAT
13..	576 783401....	1 SEAT BELT ASSY	29..	539 990517....	4 WASHER $\frac{3}{8}$ FLAT STD
14..	525 464701....	2 HHFS $\frac{5}{16}$ -18 x $\frac{3}{4}$	30..	539 104763....	8 RETAINER, U TYPE $\frac{5}{16}$ -18
15..	525 544001....	4 HHFS $\frac{5}{16}$ -18 x $1\frac{1}{4}$ TPBLT	31..	505 280001....	2 TIE WRAP w/ CLIP
16..	539 131780....	2 HHFS $\frac{5}{16}$ -18 x $3\frac{3}{4}$				

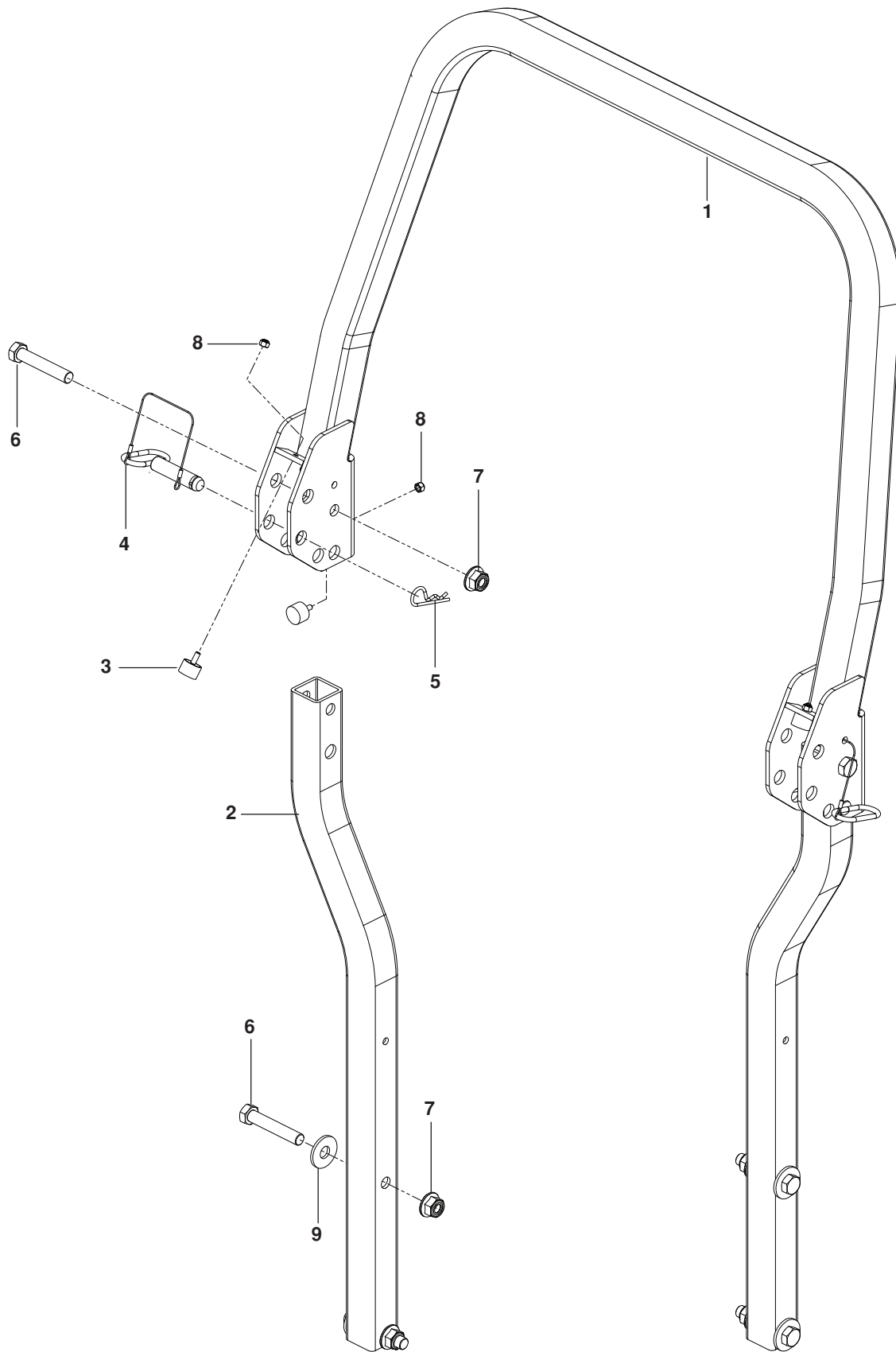
DECALS



DECALS

ITEM	PART NO.	QTY.	DESCRIPTION	ITEM	PART NO.	QTY.	DESCRIPTION
1..	539 107959	...1	...DECAL, WARNING	11..	539 113224	...1	...DECAL, DEFLECTOR
2..	539 105745	...1	...DECAL, BATTERY WARNING	12..	539 110974	...2	...DECAL, TRACKING
3..	539 103333	...2	...DECAL, MOTION CONTROL	13..	539 132039	...1	...DECAL, HEIGHT ADJUST
4..	539 913010	...1	...DECAL, BLADE WARNING	14..	539 132187	...1	...DECAL, SERVICE
5..	539 105744	...1	...DECAL, DANGER BLT DRIVE	15..	532 429196	...2	...DECAL, HUSQVARNA
6..	539 105743	...2	...DECAL, NO STEP	16..	532 428676	...2	...DECAL, CROWN H
7..	574 8155011DECAL, HYDROGEAR	17..	581 5136011DECAL, M-ZT52
8..	539 105746	...1	...DECAL, SEVERING	18..	574 8411031DECAL, CONSOLE
9..	539 112620	...1	...DECAL, BELT ROUTING	19..	574 5690021DECAL, ROPS, WARNING
10..	539 113213	...1	...DECAL, WARNING	20..	574 5690051DECAL.ROPS

PROTECTION FRAME

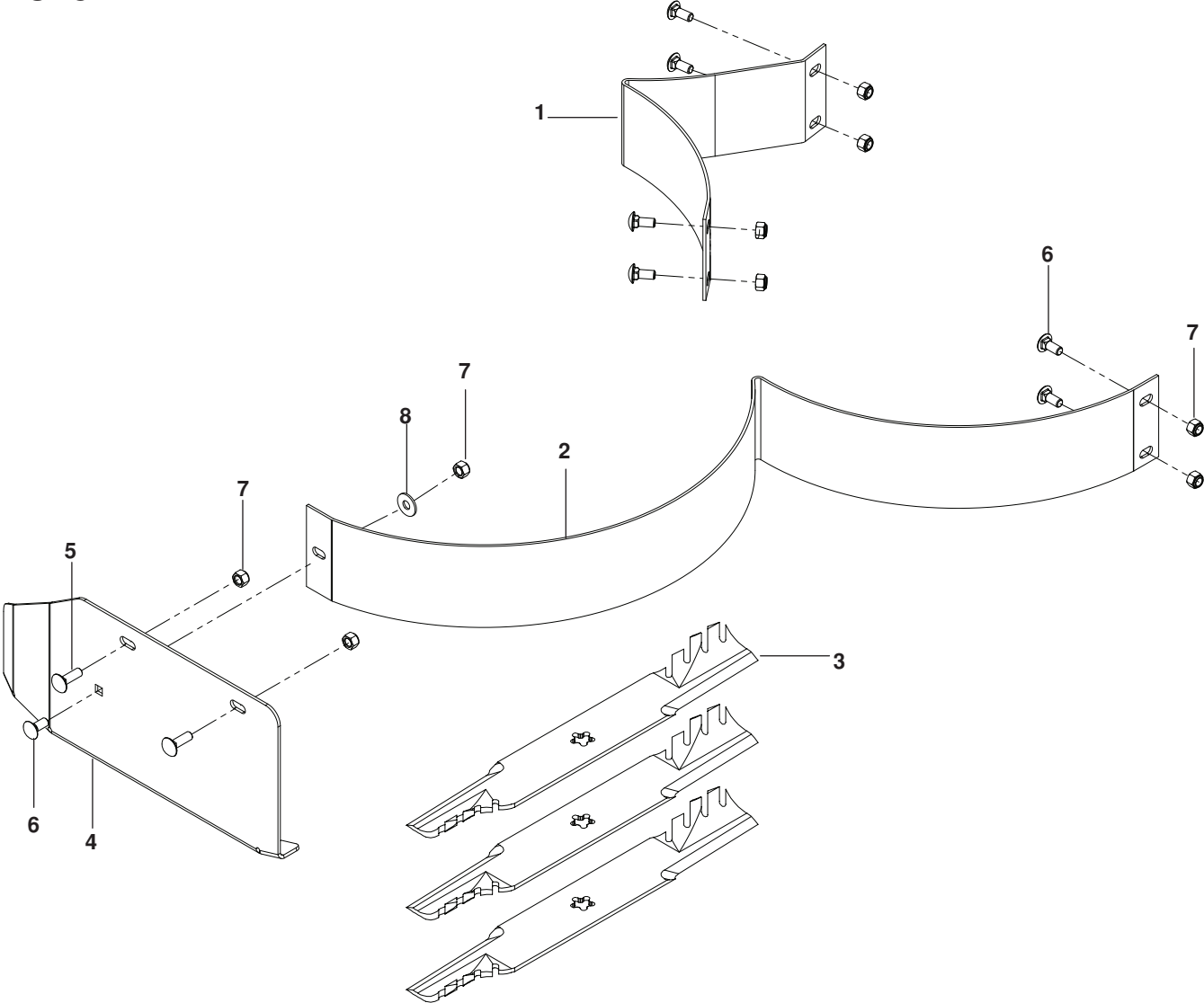


PROTECTION FRAME

ITEM	PART NO.	QTY.	DESCRIPTION	ITEM	PART NO.	QTY.	DESCRIPTION
1..	575 379102....	1 ROPS, TOP, GRAY	6..	580 754601....	6 HCS $\frac{5}{8}$ -11 x 3 $\frac{1}{2}$
2..	574 330902....	2 TUBE, SIDE GRAY	7..	525 829101....	6 NUT $\frac{5}{8}$ -11 FLG NYLOC
3..	522 801401....	4 BUMPER $\frac{1}{4}$ -20 STUD	8..	539 976978....	4 NUT $\frac{1}{4}$ -20 HEX NYLOC
4..	574 388001....	2 LATCH PIN w/ LANYARD	9..	539 102653....	4 WASHER $\frac{5}{8}$ STD FLT
5..	539 200715....	2 PIN, HAIR				

ACCESSORIES

MULCH KIT



ACCESSORIES

ITEM	PART NO.	QTY.	DESCRIPTION	ITEM	PART NO.	QTY.	DESCRIPTION
1..	539 112421....	1	BAFFLE, MULCH, LEFT	5..	539 990208....	2	RHSNB ⁵ / ₁₆ -18 x 1
2..	539 112435....	1	BAFFLE, MULCH, RIGHT	6..	539 990316....	7	RHSNB ⁵ / ₁₆ -18 x ³ / ₄
3..	521 981501....	3	BLADE, 18" GATOR	7..	539 990717....	9	NUT ⁵ / ₁₆ -18 NYLOC
4..	539 112344....	1	CAP, MULCH, 52	8..	539 990692....	1	WASHER ⁵ / ₁₆