



BOSCH

Cordless Drill Driver

LiKO | 3 601 JF4 082

Table of Content

Spare parts list.....	2
Illustration - Type.....	3

Spare parts list

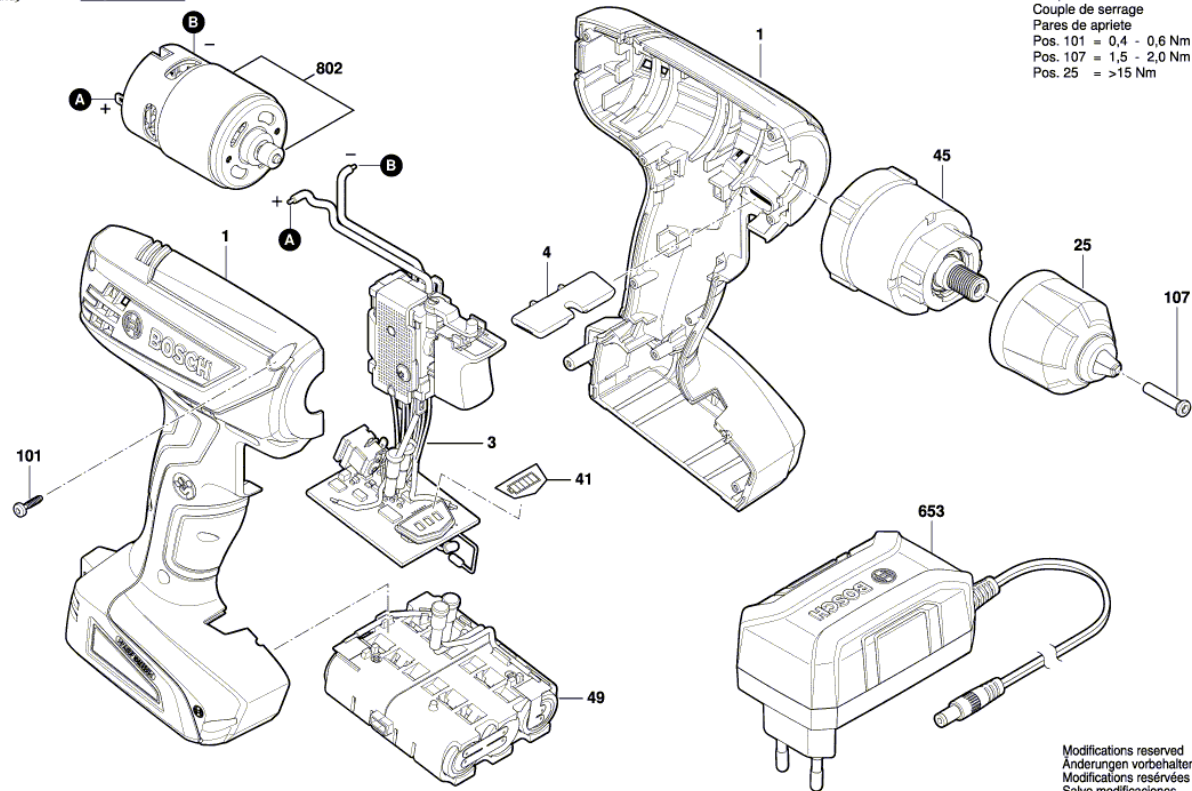
Item	Part Number	Description	Illustration	Price	Quantity	Price Group
1	2 609 101 677	Housing	1	-	1	
3	2 609 199 995	Electronics Module	1	-	1	
4	2 609 101 589	Adjusting lever	1	-	1	
25	2 609 112 151	Chuck	1	-	1	
41	2 609 136 442	Sticker	1	-	1	
45	2 609 199 790	Gear Box	1	-	1	
49	2 609 199 926	Battery Set	1	-	1	
101	2 609 112 152	Pan head screw	1	-	9	
107	2 609 110 804	Countersunk-Head Screw	1	-	1	
653	1 600 A00 4TT	Charger CN 220/10,8V 15 min.	1	-	1	
802	2 609 199 956	Motor Spare Parts Set	1	-	1	

* Prices shown are suggested retail prices

Illustration - Type - E

3 601 JF4 080
Issue |
Stand |

20-04-28 Fig./Abb. 1



Anzugsmomente
Torque values
Couple de serrage
Pares de apriete
Pos. 101 = 0,4 - 0,6 Nm
Pos. 107 = 1,5 - 2,0 Nm
Pos. 25 = >15 Nm

Modifications reserved
Änderungen vorbehalten
Modifications réservées
Salvo modificaciones