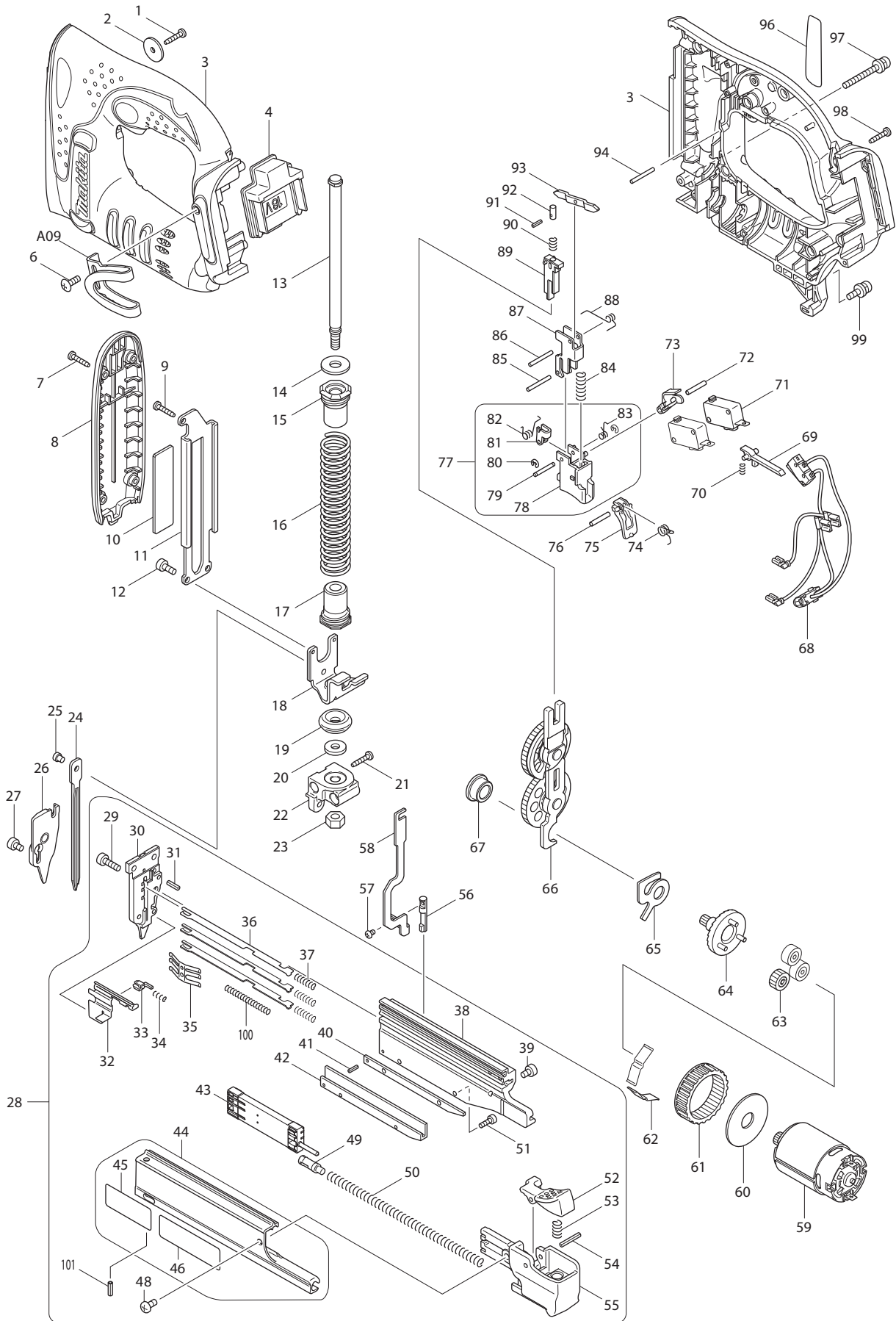




09 - 2011
LXTP01 / LXTP01Z / LXTP01Z1
18V PIN NAILER



Item No.	Type	Sub	Part No.	Description	Qty	Unit
1			266130-9	TAPPING SCREW BIND PT 3X16	1	PC.
2			267071-2	FLAT WASHER 4	1	PC.
3			187098-5	HOUSING SET	1	SET
4			643843-3	TERMINAL	1	PC.
6			251314-2	+ SCREW M4X12 (F/ Item No. 9 TOOL HOOK)	1	PC.
7			266130-9	TAPPING SCREW BIND PT 3X16	4	PC.
8			419450-2	FRONT COVER	1	PC.
9			266130-9	TAPPING SCREW BIND PT 3X16	1	PC.
10			345704-0	UPPER PLATE	1	PC.
11			345703-2	RAIL	1	PC.
12			922112-8	HEX. SOCKET HEAD BOLT M4X10	2	PC.
13			324683-5	GUIDE BOLT	1	PC.
14			253762-1	FLAT WASHER 8	1	PC.
15			421962-3	SPRING HOLDER	1	PC.
16			233472-6	COMPRESSION SPRING 17	1	PC.
17			421962-3	SPRING HOLDER	1	PC.
18			345701-6	HAMMER	1	PC.
19			421956-8	CUSHION	1	PC.
20			253804-1	FLAT WASHER 6	1	PC.
21			266130-9	TAPPING SCREW BIND PT 3X16	1	PC.
22			318025-3	HOLDER	1	PC.
23			931302-2	HEX. NUT M6	1	PC.
24			345702-4	DRIVER	1	PC.
25			268157-5	PIN 4	1	PC.
26			168430-2	DRIVER GUIDE COVER	1	PC.
27			922102-1	HEX. SOCKET HEAD BOLT M4X6	2	PC.
28			135370-9	MAGAZINE ASSEMBLY	1	PC.
		INC.		Item No. 29-44,48-55,100,101		
29			922122-5	HEX.SOCKET HEAD BOLT M4X14	1	PC.
30			310173-4	DRIVER GUIDE	1	PC.
31			951054-9	SPRING PIN 3-10	2	PC.
32			345699-7	PUSHER	1	PC.
33			310176-8	STOPPER	1	PC.
34			233018-8	COMPRESSION SPRING 3	1	PC.
35			232229-2	LEAF SPRING	1	PC.
36			346239-4	NAIL STOPPER	3	PC.
37			233476-8	COMPRESSION SPRING 4	3	PC.
38			318024-5	MAGAZINE	1	PC.
39			922102-1	HEX. SOCKET HEAD BOLT M4X6	1	PC.
40			345696-3	SPACER	1	PC.
41			951001-0	SPRING PIN 2-8	1	PC.
42			318023-7	LOWER RAIL	1	PC.
43			452877-3	NAIL GUIDE HOLDER	1	PC.
44			140414-2	UPPER RAIL COMPLETE	1	PC.
		INC.		Item No. 45.46		
45			810310-5	CAUTION LABEL (ENG)	1	PC.
46			810311-3	CAUTION LABEL (FR)	1	PC.
48			911113-1	PAN HEAD SCREW M4X10	1	PC.
49			419443-9	SHOULDER PIN 5-7	1	PC.
50			233470-0	COMPRESSION SPRING 5	1	PC.
51			266177-3	HEX. SOCKET HEAD BOLT M3X10	2	PC.
52			419446-3	LEVER	1	PC.
53			233117-6	COMPRESSION SPRING 6	1	PC.
54			951066-2	SPRING PIN 3-18	1	PC.
55			419444-7	SLIDE DOOR CAP	1	PC.
56			268158-3	PIN 5	1	PC.

Item No.	Type	Sub	Part No.	Description	Qty	Unit
57			265040-7	+ PAN HEAD SCREW M3X4	1	PC.
58			345705-8	LOCK ARM	1	PC.
59			629910-8	DC MOTOR	1	PC.
60			267053-4	FLAT WASHER 12	1	PC.
61			227166-3	INTERNAL GEAR 69	1	PC.
62			232230-7	LEAF SPRING	2	PC.
63			221961-3	SPUR GEAR 27	3	PC.
64			154973-0	SPUR GEAR 7 COMPLETE	1	PC.
65			345773-1	ANTI BACK PLATE	1	PC.
66			154972-2	SPUR GEAR 55 COMPLETE	1	PC.
67			214060-8	PLANE BEARING 10	1	PC.
68			620073-3	LED CIRCUIT	1	PC.
69			419452-8	LIGHT SWITCH ARM	1	PC.
70			233032-4	COMPRESSION SPRING 2	1	PC.
71			651891-8	SWITCH V-15-3A6	2	PC.
72			256299-7	PIN 3	1	PC.
73			419453-6	LINK PLATE	1	PC.
74			231693-4	TORSION SPRING 4	1	PC.
75			419454-4	SAFETY TRIGGER	1	PC.
76			256299-7	PIN 3	1	PC.
77			188168-3	TRIGGER SET	1	PC.
		INC.		Item No. 78-83		
78			419451-0	TRIGGER	1	PC.
79			256771-9	PIN 2.5	1	PC.
80			257926-9	STOP RING E-2.0	2	PC.
81			345707-4	SWING ARM	1	PC.
82			231694-2	TORSION SPRING 3	1	PC.
83			231695-0	TORSION SPRING 3	1	PC.
84			233360-7	COMPRESSION SPRING 4	1	PC.
85			256176-3	PIN 2.5	1	PC.
86			256176-3	PIN 2.5	1	PC.
87			345706-6	GUIDE PLATE	1	PC.
88			231692-6	TORSION SPRING 4	1	PC.
89			168489-9	CAM BLOCK	1	PC.
90			233188-3	COMPRESSION SPRING 2.4	1	PC.
91			951001-0	SPRING PIN 2-8	1	PC.
92			324923-1	PUSH PIN	1	PC.
93			345708-2	SWITCH ARM	1	PC.
94			256176-3	PIN 2.5	1	PC.
96			896138-5	NAME PLATE F/LXTP01	1	PC.
97			911163-6	PAN HEAD SCREW M4X35	1	PC.
98			266130-9	TAPPING SCREW BIND PT 3X16	8	PC.
99			911123-8	PAN HEAD SCREW M4X14	2	PC.
100			233459-8	COMPRESSION SPRING 3	1	PC.
101			951054-9	SPRING PIN 3-10	1	PC.
102			893795-0	LXTP01 PLASTIC CASE LABEL	1	PC.
C01			872390-9	CARTON F/ LXTP01Z	1	PC.
D01			654069-2	RECEPTACLE	1	PC.
D02			654079-9	INSULATED RECEPTACLE DF1.25	2	PC.
D03			654108-8	RECEPTACLE STO-41T-187N	1	PC.

ACCESSORIES

A01			195246-2	SAFETY GOGGLE	1	PC.
A02			419525-7	NOSE ADAPTER	1	PC.
A03			783201-2	HEX. WRENCH 3	1	PC.

Item No.	Type	Sub	Part No.	Description	Qty	Unit
A04	1		141134-1	PLASTIC CARRYING CASE COMPLETE	1	PC.
		INC.	324667-3	SHAFT	1	PC.
		INC.	413098-2	PLATE	4	PC.
		INC.	417724-5	LATCH	2	PC.
		INC.	419215-2A	PLASTIC CASE LID, TAP TYPE	1	PC.
		INC.	419216-0	HANDLE	1	PC.
	2		141932-3	PLASTIC CASE COMPLETE	1	PC.
		INC.	324667-3	SHAFT	1	PC.
		INC.	413098-2	PLATE	4	PC.
		INC.	417724-5	LATCH	2	PC.
		INC.	419215-2A	PLASTIC CASE LID, TAP TYPE	1	PC.
		INC.	419216-0	HANDLE	1	PC.
A06	1		DC18RA	CHARGER DC18RA	1	PC.
	2		DC18RC	CHARGER DC18RC	1	PC.
			DC18SD	CHARGER DC18SD	1	PC.
			DC18SE	AUTOMOTIVE CHARGER DC18SE	1	PC.
			DC24SC	CHARGER DC24SC	1	PC.
			DC18RAKIT	CHARGER+BATTERY(DC18RA+BL1830) KIT	1	KIT
A07			194205-3	18V LI-ION BATTERY BL1830	1	PC.
			194230-4	18V LI-ION BATTERY BL1830(2/PK)	2	PK
			194288-3	18V LI-ION BATTERY BL1830(10/PK)	10	PK
			194309-1	18V LI-ION BATTERY BL1815	1	PC.
			194428-3	18V LI-ION BATTERY BL1815, 2/PK	2	PK
			194604-9	18V LI-ION BATTERY BL1815, 10/PK	10	PK
A08			450128-8	BATTERY COVER (F/BL1830)	1	PC.
A09	1		324705-1	TOOL HOOK F/BL1830	1	PC.
	2		346449-3	TOOL HOOK F/BL1830, BL1815	1	PC.
	1		346034-2	TOOL HOOK F/BL1815	1	PC.
	2		346449-3	TOOL HOOK F/BL1830, BL1815	1	PC.
A10	1		346317-0	TOOL HOOK F/BL1830	1	PC.
	2		346449-3	TOOL HOOK F/BL1830, BL1815	1	PC.
A11			194649-7	BATTERY PROTECTOR	1	PC.
		INC.	251314-2	+ SCREW M4X12	2	PC.