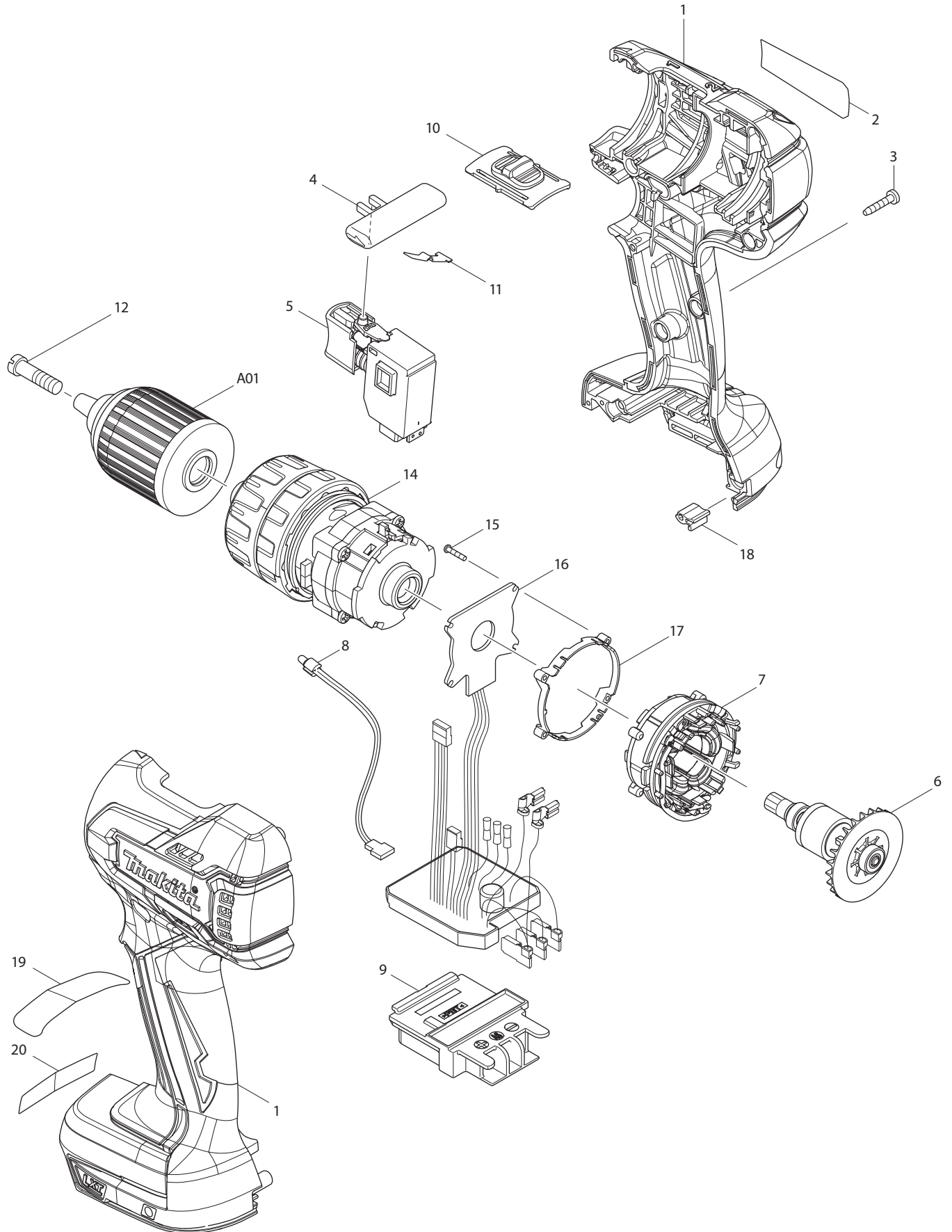




02 - 2012
LXPH05 / LXPH05Z / LXPH05C1
18V BRUSHLESS HAMMER DRIVR DRILL
(Middle Range)



Item No.	Type	Sub	Part No.	Description	Qty	Unit
1			187454-9	HOUSING SET (BLUE)	1	SET
		INC.	263005-3	RUBBER PIN 6	2	PC.
2			897318-6	NAME PLATE F/LXPH05	1	PC.
3			266429-2	TAPPING SCREW 3X16	9	PC.
4			419250-0	F/R CHANGE LEVER	1	PC.
5			650689-0	SWITCH C3JW-2B	1	PC.
6			619304-5	ROTOR	1	PC.
7			629960-3	STATOR	1	PC.
8			620163-2	LED CIRCUIT	1	PC.
9			643860-3	TERMINAL	1	PC.
10			126180-5	SPEED CHANGE LEVER ASSEMBLY	1	PC.
		INC.	233438-6	COMPRESSION SPRING 4	2	PC.
11			232182-2	LEAF SPRING	1	PC.
12			251468-5	- FLAT HEAD SCREW M6X22	1	PC.
14			126179-0	GEAR ASSEMBLY	1	PC.
15			266786-8	+ PAN HEAD TAPPING SCREW 2X10	4	PC.
16			620162-4	CONTROLLER	1	PC.
17			687464-1	SUPPORT	1	PC.
18			424517-3	CUSHION	1	PC.
19			898926-6	CAUTION LABEL FR/SP	1	PC.
20			898927-4	CAUTION LABEL EN	1	PC.
C01			873572-6	CARTON FOR LXPH05	1	PC.
C01B			873579-2	CARTON FOR LXPH05Z	1	PC.
100			251314-2	+ SCREW M4X12 (For Item No.A02 Hook)	1	PC.

ACCESSORIES

- See catalogue or visit www.makita.ca for more optional accessories -

A01			766008-1	KEYLESS DRILL CHUCK 13	1	PC.
A02			346449-3	HOOK (Use with Item No 100, Screw)	1	PC.
A03			784637-8	SQUARE DOUBLE ENDED BIT 2-45	1	PC.
A04	1		DC18RA	CHARGER DC18RA	1	PC.
	2		DC18RC	CHARGER DC18RC	1	PC.
			DC18SD	CHARGER DC18SD (LXPH05C1)	1	PC.
A05			194205-3	18V LI-ION BATTERY BL1830	1	PC.
			194309-1	18V LI-ION BATTERY BL1815 (LXPH05C1)	1	PC.
A06			450128-8	BATTERY COVER	1	PC.
A07			821532-2	PLASTIC CARRYING CASE F/BRUSHLESS TOOLS	1	PC.
A07B	1		824774-7	PLASTIC CARRYING CASE	1	PC.
		INC.	324679-6	SHAFT	1	PC.
		INC.	417724-5	LATCH	2	PC.
		INC.	419216-0	HANDLE	1	PC.
	2		158597-4	PLASTIC CASE COMPELTE	1	PC.
		INC.	324679-6	SHAFT	1	PC.
		INC.	417724-5	LATCH	2	PC.
		INC.	419216-0	HANDLE	1	PC.