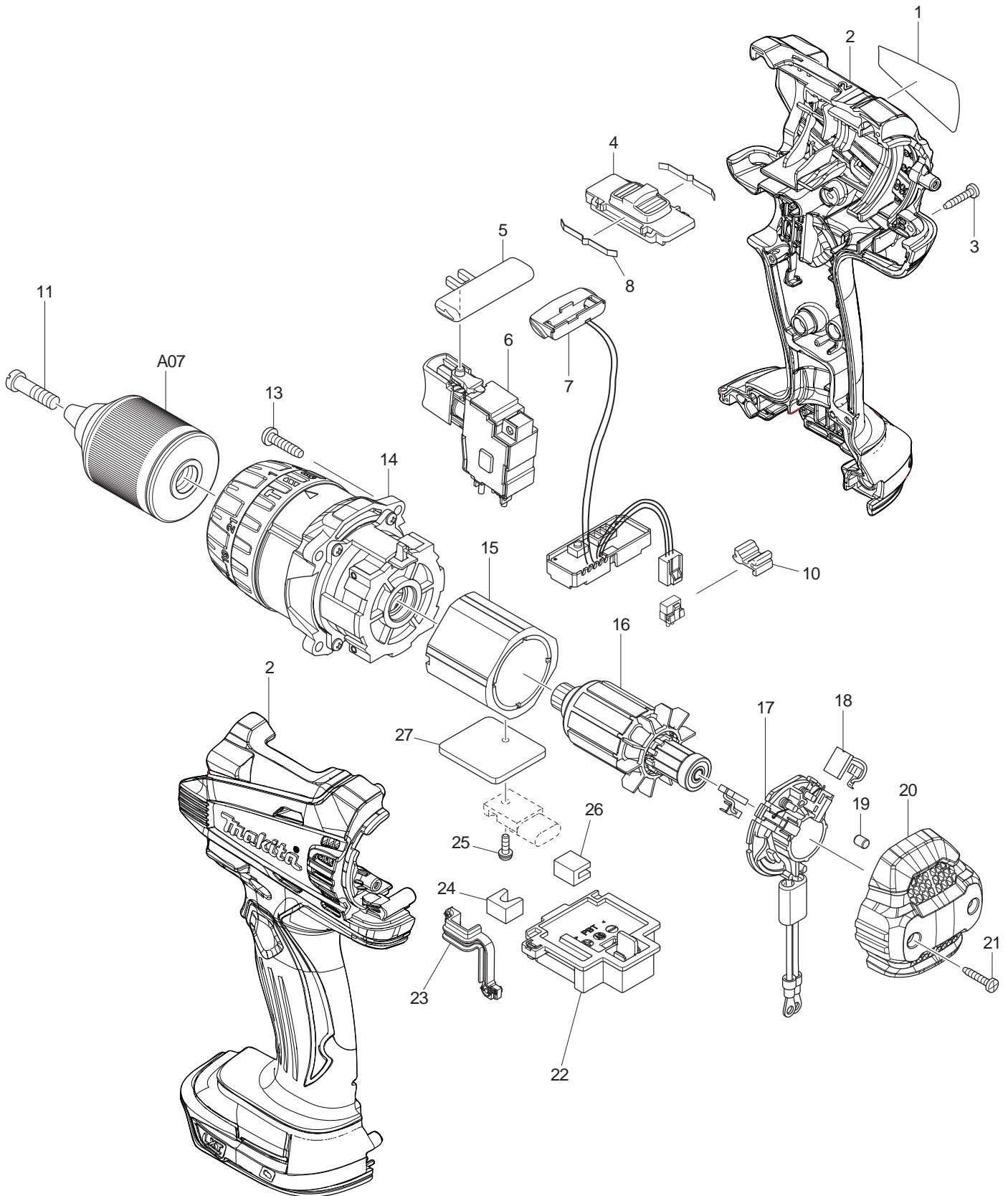




03 - 2012
LXPH03 / LXPH03Z / LXPH03Z1 / LXPH031
18V 1/2" HAMMER DRIVER DRILL



Item No.	Type	Sub	Part No.	Description	Qty	Unit
1			897154-0	LXPH03 NAME PLATE	1	PC.
2			187432-9	HOUSING SET	1	PC.
		INC.	263005-3	RUBBER PIN 6	2	PC.
		INC.	252126-6	HEX. LOCKING NUT M4-7	2	PC.
3			266130-9	TAPPING SCREW BIND PT 3X16	7	PC.
4			126100-9	SPEED CHANGE LEVER ASSEMBLY	1	PC.
		INC.	233438-6	COMPRESSION SPRING 4	2	PC.
5			419250-0	F/R CHANGE LEVER	1	PC.
6	1		650683-2	SWITCH TG573FSB-4	1	PC.
	2		650725-2	SWITCH TG573FSB-4	1	PC.
7			620139-9	LED CIRCUIT	1	PC.
8			232220-0	LEAF SPRING	2	PC.
10	1		424026-2	CUSHION	1	PC.
	2		424476-1	CUSHION	1	PC.
11			251468-5	- FLAT HEAD SCREW M6X22	1	PC.
13			265995-6	TAPPING SCREW 4X18	4	PC.
14	1	*	126099-8	GEAR ASSEMBLY	1	PC.
	2	*	126448-9	GEAR ASSEMBLY	1	PC.
15			638989-8	YOKE UNIT	1	PC.
16			619301-1	ARMATURE	1	PC.
17			638614-1	BRUSH HOLDER COMPLETE	1	PC.
18			195021-6	CARBON BRUSH CB-440 2PC/SET W/ORIGIN	1	SET
19			263032-0	RUBBER PIN 4	2	PC.
20			453394-6	REAR COVER	1	PC.
21			266130-9	TAPPING SCREW BIND PT 3X16	2	PC.
22	1		643859-8	TERMINAL	1	PC.
	2		644808-8	INSULATOR COMPLETE	1	PC.
23			424430-5	SEAL	1	PC.
24			423422-1	SPONGE A	1	PC.
25			911013-5	PAN HEAD SCREW M3X10	1	PC.
26			423423-9	SPONGE B	1	PC.
27			689176-2	HEAT SINK	1	PC.
100			251314-2	+ SCREW M4X12 (F/HOOK)	2	PC.
C01			873157-8	CARTON FOR LXPH03Z	1	PC.
D01			652045-0	+PAN HEAD SCREW M3.5X5	2	PC.
E01			810300-8	CAUTION LABEL	1	PC.
<u>ACCESSORIS</u>			- See catalogue or visit www.makita.ca for more optional accessories -			
A01			126131-8	GRIP ASSEMBLY	1	PC.
		INC.	154935-8	GRIP 36 COMPLETE	1	PC.
		INC.	266750-9	SQUARE BOLT M8X100	1	PC.
		INC.	346566-9	GRIP SPRING 60	1	PC.
		INC.	453584-1	GRIP BASE 60	1	PC.
		INC.	265785-7	THUMB SCREW M5X10	1	PC.
		INC.	931202-6	HEX. NUT M5	1	PC.
A03			346449-3	HOOK	1	PC.
A04			452947-8	BIT HOLDER	1	PC.
A05			784637-8	+/- BIT 2-45	2	PC.
A06			122576-8	STOPPER POLE ASS'Y	1	PC.
A07			766015-4	1/2" KEYLESS DRILL CHUCK	1	PC.
A08			194205-3	18V LI-ION BATTERY BL1830	1	PC.
			194230-4	18V LI-ION BATTERY BL1830 2/PK	1	PK
			194288-3	18V LI-ION BATTERY BL1830 10/PK	1	PK
A09	1		DC18RA	CHARGER DC18RA	1	PC.
	2		DC18RC	CHARGER DC18RC	1	PC.
			DC18SD	CHARGER DC18SD	1	PC.
			DC24SD	CHARGER DC24SC	1	PC.

(Updated:12/06/2014)

Item No.	Type	Sub	Part No.	Description	Qty	Unit
			DC18SE	AUTOMOTIVE CHARGER DC18SE	1	PC.
A10			450128-8	BATTERY COVER F/LI-ION	1	PC.
A11	1		821532-2	PLASTIC CARRYING CASE	1	PC.
	2		142147-5	PLASTIC CASE COMPLETE	1	PC.