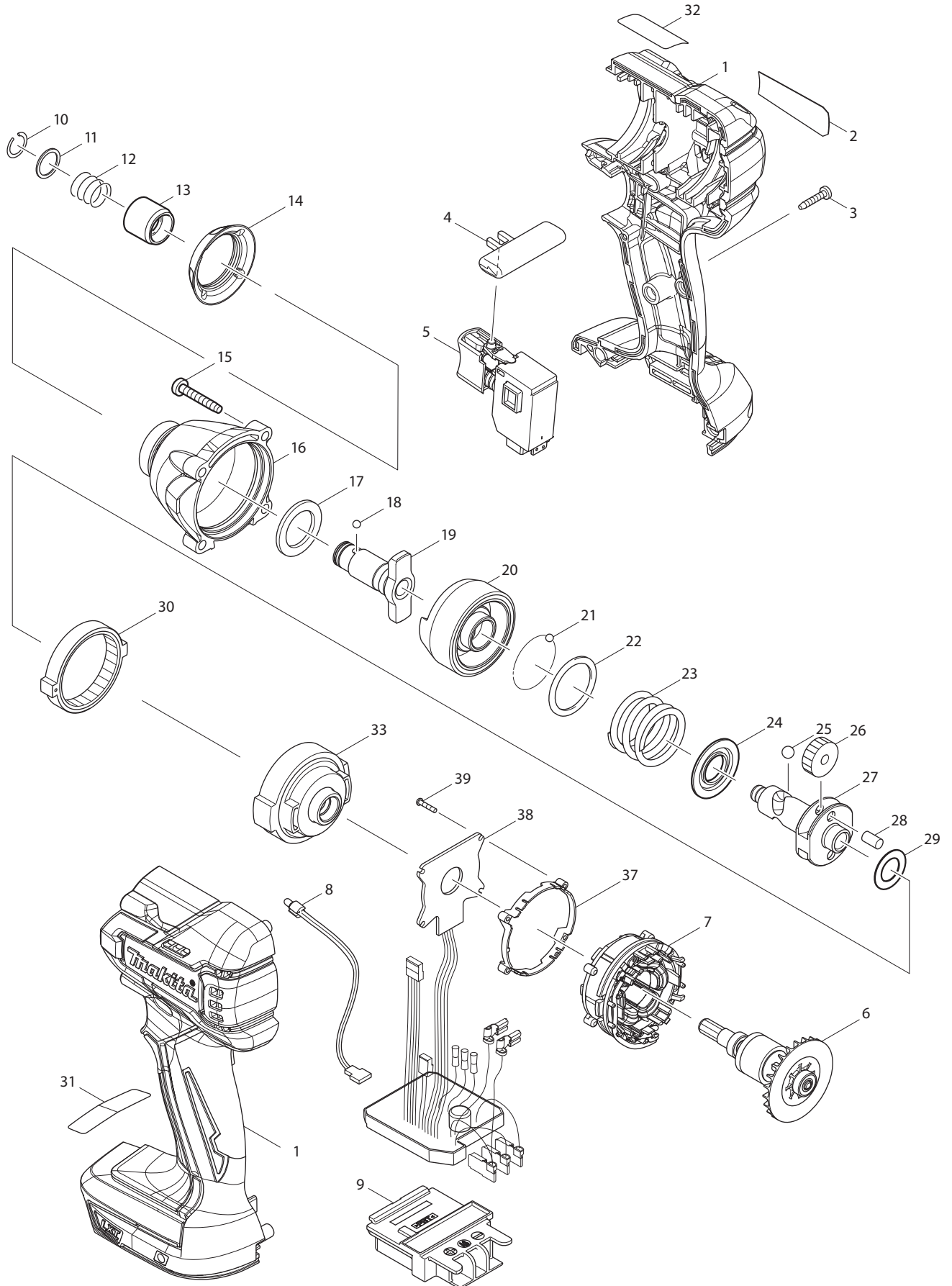




02 - 2012  
LXDT08 / LXDT08Z / LXDT08C1  
18V BRUSHLESS IMPACT DRIVER  
(MIDDLE RANGE)



Item No.	Type	Sub	Part No.	Description	Qty	Unit
1			187455-7	HOUSING SET (BLUE)	1	SET
		INC.	263005-3	RUBBER PIN 6	2	PC.
2			897319-4	NAME PLATE F/LXDT08	1	PC.
3			266429-2	TAPPING SCREW 3X16	8	PC.
4			419041-9	F/R CHANGE LEVER	1	PC.
5			650689-0	SWITCH C3JW-2B	1	PC.
6			619303-7	ROTOR	1	PC.
7			629959-8	STATOR	1	PC.
8			620163-2	LED CIRCUIT	1	PC.
9			643860-3	TERMINAL	1	PC.
10			231951-8	RING SPRING 11	1	PC.
11			267085-1	FLAT WASHER 12	1	PC.
12			233005-7	COMPRESSION SPRING 13	1	PC.
13			324420-7	SLEEVE	1	PC.
14			424513-1	BUMPER	1	PC.
15			266374-1	TAPPING SCREW 4X25	4	PC.
16			141633-3	HAMMER CASE COMPLETE	1	PC.
17			261151-6	NYLON WASHER 19	1	PC.
18	1		216001-0	STEEL BALL 3.5	2	PC.
	2		216040-0	STEEL BALL 3.5	2	PC.
19			326188-1	ANVIL M	1	PC.
20			326110-8	HAMMER	1	PC.
21	1		216001-0	STEEL BALL 3.5	2	PC.
	2		216040-0	STEEL BALL 3.5	2	PC.
22			267175-0	FLAT WASHER 24	1	PC.
23			233430-2	COMPRESSION SPRING 24	1	PC.
24			267766-7	CUP WASHER 14	1	PC.
25	1		216011-7	STEEL BALL 5.6	2	PC.
	2		216041-8	STEEL BALL 5.6	2	PC.
26			226336-1	SPUR GEAR 22	2	PC.
27			326109-3	SPINDLE	1	PC.
28			256253-1	PIN 5	2	PC.
29			267212-0	FLAT WASHER 12	1	PC.
30			227279-0	INTERNAL GEAR 51	1	PC.
31			898928-2	CAUTION LABEL FR	1	PC.
32			898999-9	CAUTION LABEL SP	1	PC.
33			141693-5	INTERNAL GEAR CASE COMPLETE	1	PC.
37			687464-1	SUPPORT	1	PC.
38			620161-6	CONTROLLER	1	PC.
39			266786-8	+ PAN HEAD TAPPING SCREW 2X10	4	PC.
100			251314-2	+ SCREW M4X12 (For Item No. A02 Hook)	1	PC.
C01			873549-1	CARTON FOR LXDT08Z	1	PC.
C01A			873553-0	CARTON FOR LXDT08	1	PC.

### **ACCESSORIES**

- See catalogue or visit [www.makita.ca](http://www.makita.ca) for more optional accessories -

A03			DC18RA	CHARGER DC18RA	1	PC.
			DC18SD	CHARGER DC18SD (LXDT08C1)	1	PC.
A04			194205-3	18V LI-ION BATTERY BL1830	1	PC.
			194309-1	18V LI-ION BATTERY BL1815 (LXDT08C1)	1	PC.
A05			450128-8	BATTERY COVER	1	PC.
A06	1		824774-7	PLASTIC CARRYING CASE	1	PC.
		INC.	324679-6	SHAFT	1	PC.
		INC.	417724-5	LATCH	2	PC.
		INC.	419216-0	HANDLE	1	PC.
	2		158597-4	PLASTIC CASE COMPLETE	1	PC.
		INC.	324679-6	SHAFT	1	PC.
		INC.	417724-5	LATCH	2	PC.
		INC.	419216-0	HANDLE	1	PC.
A06A			821532-2	PLASTIC CARRYING CASE	1	PC.