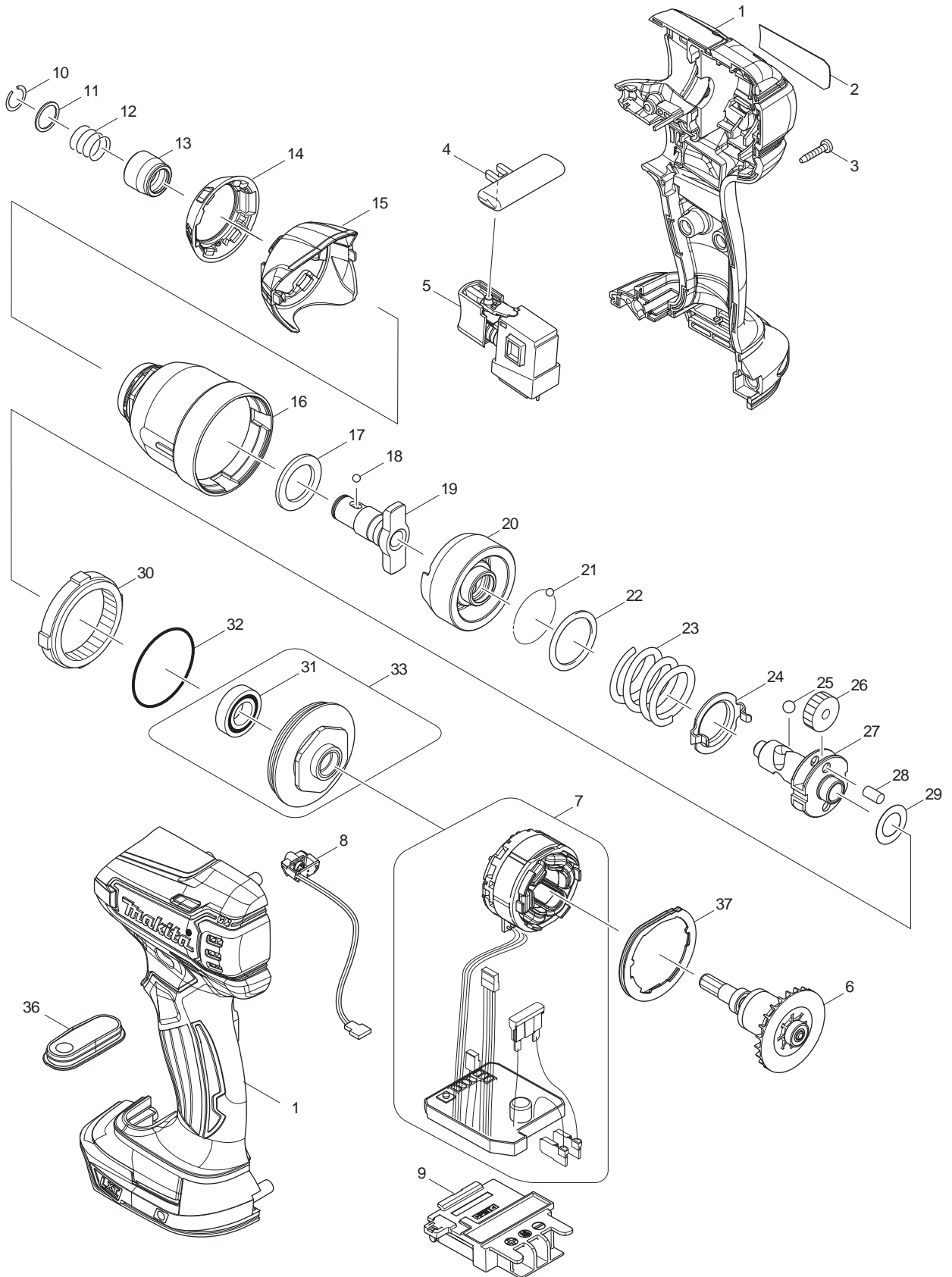




02 - 2012  
LXDT06 / LXDT06Z  
18V BRUSHLESS IMPACT DRIVER  
(HIGH RANGE)



Item No	Type	Ref	Part No	Description	Qty	Unit
1			187388-6	HOUSING SET	1	SET
		INC.	263005-3	RUBBER PIN 6	2	PC.
2			897175-2	NAME PLATE F/LXDT06	1	PC.
3			266130-9	TAPPING SCREW BIND PT 3X16	9	PC.
4			419041-9	F/R CHANGE LEVER	1	PC.
5			141448-8	SWITCH COMPLETE	1	PC.
		INC.	424496-5	SEAL	1	PC.
6			619297-6	ROTER	1	PC.
			619353-2	ROTER	1	PC.
7			632A40-2	STATOR UNIT	1	PC.
8			620136-5	LED CIRCUIT	1	PC.
9			643860-3	TERMINAL	1	PC.
10			231951-8	RING SPRING 11	1	PC.
11			267085-1	FLAT WASHER 12	1	PC.
12			233005-7	COMPRESSION SPRING 13	1	PC.
13			326068-1	BIT SLEEVE	1	PC.
14			424495-7	BUMPER	1	PC.
15			453664-3	HAMMER CASE COVER	1	PC.
16			141477-1	HAMMER CASE COMPLETE	1	PC.
17			261151-6	NYLON WASHER 19	1	PC.
18			216001-0	STEEL BALL 3.5	2	PC.
19			326069-9	ANVIL M	1	PC.
20			326054-2	HAMMER	1	PC.
21			216001-0	STEEL BALL 3.5	24	PC.
22			267175-0	FLAT WASHER 24	1	PC.
23			234251-5	COMPRESSION SPRING 25	1	PC.
24			346466-3	PLATE	1	PC.
25			216011-7	STEEL BALL 5.6	2	PC.
26			227233-4	SPUR GEAR 22	2	PC.
27			326066-5	SPINDLE	1	PC.
28			256253-1	PIN 5	2	PC.
29			253362-7	THIN WASHER 12	1	PC.
30			227150-8	INTERNAL GEAR 51	1	PC.
31			211140-1	BALL BEARING 6901LLB	1	PC.
32			213507-9	O RING 40	1	PC.
33			158145-9	BEARING BOX COMPLETE	1	PC.
		INC.		Item No. 31		
36			141583-2	* SWITCH PLATE COMPLETE	1	PC.
37			453665-1	BUFFLE PLATE	1	PC.
100			266622-8	(+) TRUSS HEAD SCREW M4X12 (FOR A01)	1	PC.
C01			873226-5	CARTON F/LXDT06Z	1	PC.
E01			898708-6	CAUTION LABEL EN/FR/SP	1	PC.

### **ACCESSORIES**

- See Catalogue or visit [www.makita.ca](http://www.makita.ca) for more accessories -

A01			346449-3	HOOK, COMPACT BELT CLIP, 18V, 14.4V LI-ION BATTERY (USE WITH ITEM NO.100)	1	PC.
A03			450128-8	BATTERY COVER	1	PC.
A04	1		DC18RA	CHARGER DC18RA	1	PC.
	2		DC18RC	CHARGER DC18RC	1	PC.
			DC18SE	AUTOMOTIVE CHARGER DC18SE	1	PC.
			DC18SD	CHARGER DC18SD	1	PC.
			DC24SC	CHARGER DC24SC	1	PC.
			DC18RAKIT	CHARGER DC18SD + BATTERY BL1830 KIT	1	KIT
A05			194205-3	18V LI-ION BATTERY BL1830	1	PC.
			194230-4	18V LI-ION BATTERY BL1830 2/PK	1	PC.
			194288-3	18V LI-ION BATTERY BL1830 10/PK	1	PC.
			194309-1	18V LI-ION BATTERY BL1815	1	PC.
			194428-3	18V LI-ION BATTERY BL1815 2/PK	1	PK
			194604-9	18V LI-ION BATTERY BL1815 10/PK	1	PK

Item No	Type	Ref	Part No	Description	Qty	Unit
A06	1		140756-4	PLASTIC CARRYING CASE COMPLETE	1	PC.
		INC.	162302-3	LATCH	2	PC.
		INC.	324207-7	SHAFT	1	PC.
		INC.	451749-9	HANDLE	1	PC.
	2		821521-7	PLASTIC CARRYING CASE	1	PC.
		INC.	162302-3	LATCH	2	PC.
		INC.	324207-7	SHAFT	1	PC.
		INC.	451749-9	HANDLE	1	PC.
	3		141856-3	PLASTIC CARRYING CASE	1	PC.
		INC.	162302-3	LATCH	2	PC.
		INC.	324207-7	SHAFT	1	PC.
		INC.	451749-9	HANDLE	1	PC.
A08			194649-7	BATTERY PROTECTOR	1	PC.
		INC.	251314-2	+ SCREW M4X12	2	PC.
A09			195927-8	TOOL CATCHER SET	1	PC.
A10			166070-0	SHOULDER BELT	1	PC.
A11			193681-8	REFRESHING ADAPTOR ADP03	1	PC.

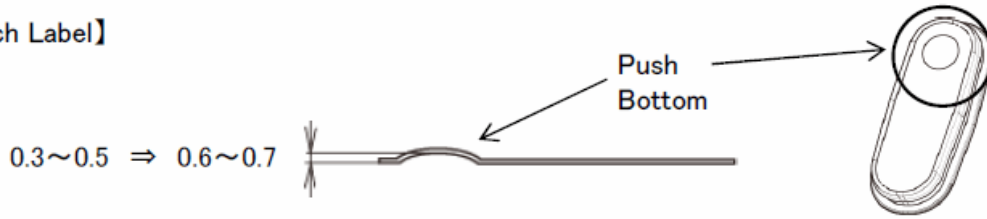
**SERVICE CHANGES**

**1. Changes on Switch Plate Complete**

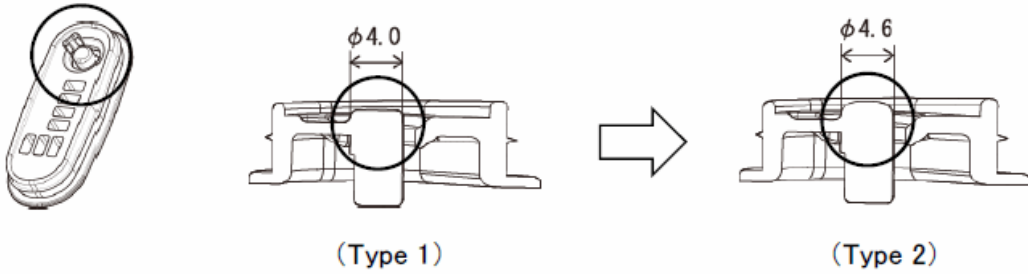
(TI#A5419)

Item No.	Description	Type 1	Type 2
36	Switch Plate Complete		141583-2

**【Switch Label】**



**【Switch Plate】**



※Type 2 has a dot on Switch plate in order to identify

