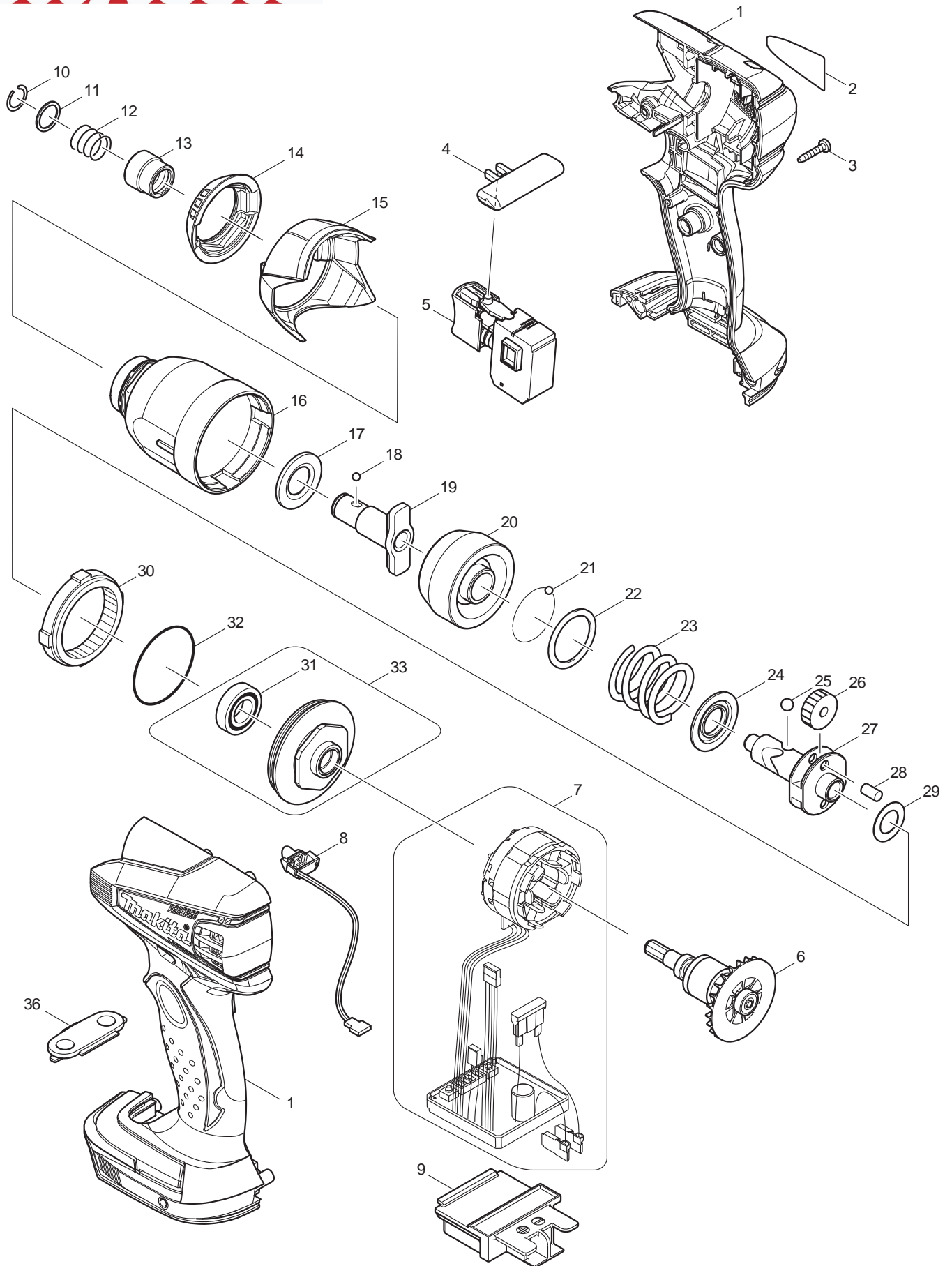




09 - 2011  
LXDT01 / LXDT01Z / LXDT01Z1  
18V BRUSHLESS IMPACT DRIVER



Item No.	Type	Sub	Part No.	Description	Q'ty	Unit
1			188922-5	HOUSING SET	1	SET
		INC.	263005-3	RUBBER PIN 6	2	PC.
2	1		868514-3	LXDT01Z NAME PLATE	1	PC.
	2		897317-8	LXDT01Z NAME PLATE	1	PC.
3	1		266130-9	TAPPING SCREW BIND PT 3X16	9	PC.
	2		266429-2	TAPPING SCREW BIND PT 3X16	9	PC.
4			419041-9	F/R CHANGE LEVER	1	PC.
5			650632-9	SWITCH	1	PC.
6			619239-0	ROTOR	1	PC.
7			638723-6	STATOR UNIT	1	PC.
		INC.	195262-4	CONTROLLER SET	1	PC.
		INC.	194923-3	STATOR SET (Added) (For Repair)	1	PC.
8			631829-9	LED CIRCUIT	1	PC.
9			643833-6	TERMINAL	1	PC.
10			231951-8	RING SPRING 11	1	PC.
11			267085-1	FLAT WASHER 12	1	PC.
12			233005-7	COMPRESSION SPRING 13	1	PC.
13	1		324878-0	SLEEVE	1	PC.
	2		324871-4	SLEEVE	1	PC.
14			424362-6	BUMPER	1	PC.
15			452294-7	HAMMER CASE COVER	1	PC.
16			154590-6	HAMMER CASE COMPLETE	1	PC.
17			261108-7	NYLON WASHER 14	1	PC.
18			216001-0	STEEL BALL 3.5	2	PC.
19			325975-5	ANVIL M	1	PC.
20			325671-5	HAMMER	1	PC.
21			216001-0	STEEL BALL 3.5	24	PC.
22			267175-0	FLAT WASHER 24	1	PC.
23			234082-2	COMPRESSION SPRING 25	1	PC.
24			267766-7	CUP WASHER 14	1	PC.
25			216011-7	STEEL BALL 5.6	2	PC.
26			227233-4	SPUR GEAR 22	2	PC.
27			324552-0	SPINDLE	1	PC.
28			256253-1	PIN 5	2	PC.
29			267212-0	FLAT WASHER 12	1	PC.
30			227150-8	INTERNAL GEAR 51	1	PC.
31			211140-1	BALL BEARING 6901LLB	1	PC.
32			213507-9	O RING 40	1	PC.
33			158145-9	BEARING BOX COMPLETE	1	PC.
		INC.		Item No. 31		
36			140574-0	SWITCH PLATE COMPLETE	1	PC.
100			266622-8	+ TRUSS HEAD SCREW M4X12(F/HOOK ITEM A02)	1	PC.
101			251314-2	+ SCREW M4X12(F/HOOK ITEM A07)	1	PC.
200			891015-6	CAUTION LABEL E/F (FOR HOUSING SET)	1	PC.
C01			871397-2	CARTON(F/LXDT01Z)	1	PC.

**ACCESSORIES**

- See Catalogue or visit [www.makita.ca](http://www.makita.ca) for more accessories information-

A01			194205-3	18V LI-ION BATTERY BL1830	1	PC.
			194230-4	18V LI-ION BATTERY BL1830 2/PK	2	SET
			194309-1	18V LI-ION BATTERY BL1815	1	PC.
			194428-3	18V LI-ION BATTERY BL1815 2/PK	2	SET
A02	1		346317-0	HOOK(FOR BATTERY BL1830)	1	PC.
	2		346449-3	HOOK(FOR 18V, 14.4V BATTERY)	1	PC.
A03			166070-0	SHOULDER BELT	1	PC.
A05			194633-2	STOPPER SET	1	PC.
		INC.	151760-8	LOCATOR COMPLETE	1	PC.
		INC.	213373-4	O RING 22	1	PC.
		INC.	231280-9	COMPRESSION SPRING 32	1	PC.
A06			194649-7	BATTERY PROTECTOR	1	PC.
		INC.	251314-2	+ SCREW M4X12	2	PC.
A07			324705-1	HOOK(FOR BATTERY BL1830)	1	PC.
			346034-2	HOOK(FOR BATTERY BL1815)	1	PC.

Item No.	Type	Sub	Part No.	Description	Q'ty	Unit
A08			-----	BIT (SEE CATALOGUE)	1	PC.
A09	1		DC18RA	BATTERY CHARGER DC18RA	1	PC.
	2		DC18RC	BATTERY CHARGER DC18RC	1	PC.
			DC18SD	BATTERY CHARGER DC18SD	1	PC.
			DC18RAKIT	BATTERY BL1830+CHARGER DC18RA KIT	1	KIT
			DC18SE	AUTOMOTIVE CHARGER DC18SE	1	PC.
			DC24SC	CHARGER F/7.2-24V, 1.3-3.3AH	1	PC.
A10			450128-8	BATTERY COVER	1	PC.
A11			784643-3	CONNECT BIT 6.35-44	1	PC.
A12	1a		824753-5	PLASTIC CARRYING CASE	1	PC.
		INC.	324207-7	SHAFT	1	PC.
		INC.	413098-2	PLATE	1	PC.
		INC.	417724-5	LATCH	2	PC.
		INC.	419215-2A	PLASTIC CASE LID, TAB TYPE	1	PC.
	2a		141205-4	PLASTIC CASE COMPLETE	1	PC.
		INC.	324207-7	SHAFT	1	PC.
		INC.	413098-2	PLATE	1	PC.
		INC.	417724-5	LATCH	2	PC.
		INC.	419215-2A	PLASTIC CASE LID, TAB TYPE	1	PC.
	1b		824812-5	PLASTIC CARRYING CASE	1	PC.
	2b		142146-7	PLASTIC CASE COMPLETE	1	PC.