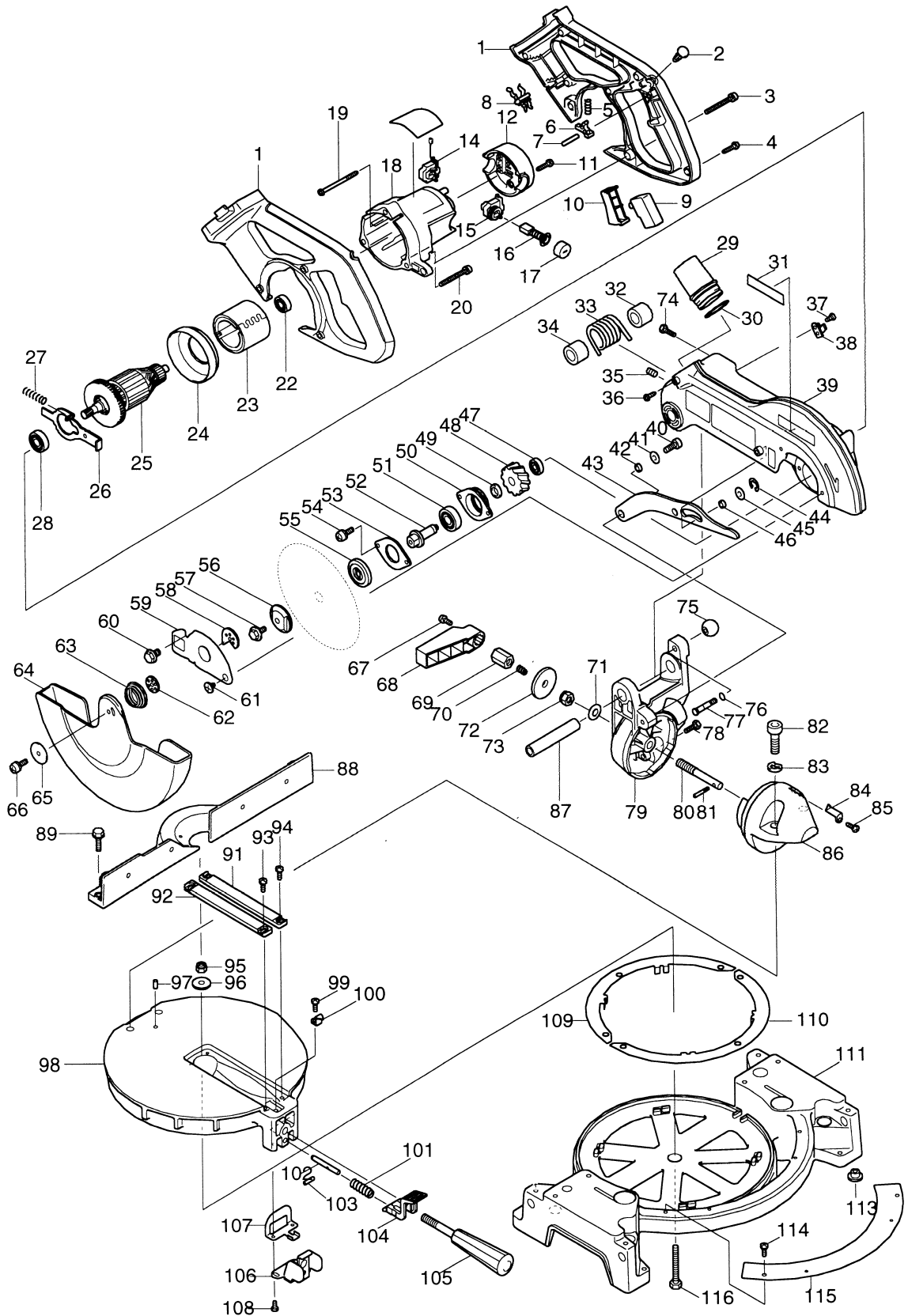
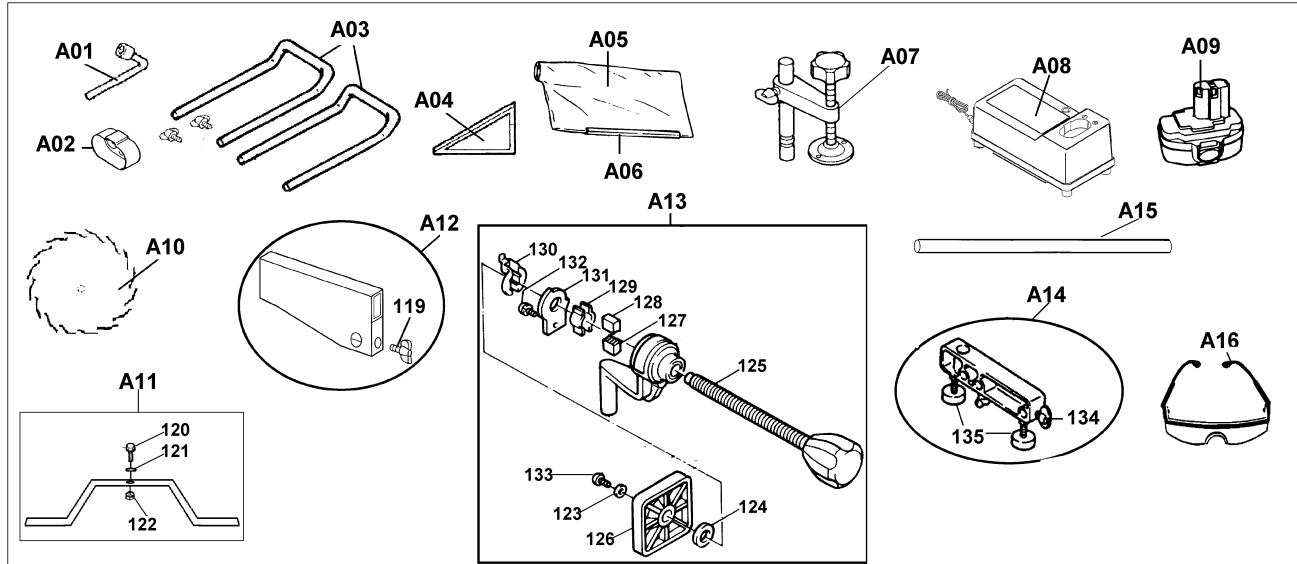
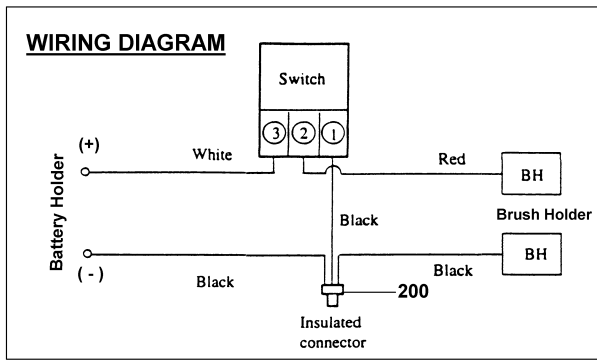


8-1/2" - 18V - COMPOUND MITRE SAW
Model LS800DWB



Item No.	Part No.	No. Used	Description	Item No.	Part No.	No. Used	Description
1	183149-2	1	Handle Set	64	416908-2	1	Safety Cover
2	411478-6	1	Switch Button	65	267136-0	1	Flat Washer 5
3	911268-2	3	P.H. Screw M5x45	66	911233-1	1	P.H. Screw M5x20
4	265995-6	5	Tapping Screw 4x18	67	911118-1	1	P.H. Screw M4x12
5	231026-3	1	Compression Spring 4	68	416006-2	1	Lever 100
6	416533-9	1	Lock Off Lever	69	252144-4	1	Hex. Nut M10-17
7	256098-7	1	Pin 5	70	231266-3	1	Compression Spring 5
8	643924-3	1	Battery Holder	71	253024-7	1	Flat Washer 10
9	651956-6	1	Switch TG72BD	72	267196-2	1	Flat Washer 10
10	416534-7	1	Switch Lever	73	252130-5	1	Hex. Lock Nut M10-17
11	265995-6	2	Tapping Screw 4x18	74	265381-1	1	Hex. Bolt M6x16
12	416639-3	1	Rear Cover	75	271601-3	1	Knob 20
14	643946-3	1	Brush Holder	76	213021-5	1	O Ring 5
15	643945-5	1	Brush Holder	77	322338-6	1	Stopper Pin
16	191970-5	2	Carbon Brush CB-429 (2pcs/Set)	78	265381-1	2	Hex. Bolt M6x16
17	643941-3	2	Holder Cap	79	151655-5	1	Arm Com. (Includes 816353-5 - Bevel Scale Label)
18	416909-0	1	Motor Housing	80	266221-6	1	Screw M10
19	266209-6	2	Tapping Screw 4x60	81	256761-2	1	Pin 5
20	911268-2	3	P.H. Screw M5x45	82	922557-0	2	Hex. Socket Head Bolt M10x35
22	210023-2	1	Ball Bearing 627DDW	83	942251-8	2	Spring Washer 10
23	632828-4	1	Yoke Unit	84	416355-7	1	Indication Plate
24	416907-4	1	Baffle Plate	85	911118-1	1	P.H. Screw M4x12
25	519050-9	1	Armature Assy (Includes Items 22 & 28)	86	317251-1	1	Sub Arm
26	344681-3	1	Shaft Lock	87	323888-4	1	Rod 16-100
27	233092-6	1	Compression Spring 5	88	317250-3	1	Guide Fence
28	211088-7	1	Ball Bearing 6000DDW	89	921341-0	4	Hex. Bolt M6x25
29	416133-5	1	Dust Nozzle	90			
30	213460-9	1	O Ring 35	91	416906-6	1	Kerf Board
31	819003-1	1	Makita Label	92	416906-6	1	Kerf Board
32	416905-8	1	Sleeve 17-23	93	266026-4	2	Tapping Screw Bind CT 4x12
33	231644-7	1	Torsion Spring 28	94	266026-4	2	Tapping Screw Bind CT 4x12
34	416905-8	1	Sleeve 17-23	95	252105-4	1	Hex. Lock Nut M8-13
35	251961-9	2	Hex. Socket Head Bolt M6x10	96	253731-2	1	Flat Washer 8
36	266061-2	1	Tapping Screw Bind CT 4x8	97	256040-8	1	Pin 5
37	266026-4	1	Tapping Screw Bind CT 4x12	98	317197-1	1	Turn Base
38	416536-3	1	Wrench Holder	99	266026-4	1	Tapping Screw Bind CT 4x12
39	151905-8		Blade Case Com. (Includes 263002-9 - Rubber Pin 4, 263005-3 - Rubber Pin 6 & 817667-5 - Caution Label)	100	416904-0	1	Indication Plate
40	922331-6	1	Hex. Socket Head Bolt M6x20	101	231402-1	1	Compression Spring 7
41	253804-1	1	Flat Washer 6	102	323741-4	1	Lock Pin
42	257163-5	1	Ring 6	103	256158-5A	1	Pin 3
43	344776-2	1	Link Plate	104	416450-3	1	Lock Lever
44	961018-5	1	Stop Ring E-5	105	273495-2	1	Grip 32
45	253804-1	1	Flat Washer 6	106	344602-5	1	Support Plate
46	257163-5	1	Ring 6	107	344601-7	1	Lock Plate
47	211021-9	1	Ball Bearing 607LLB	108	266026-4	2	Tapping Screw Bind CT 4x12
48	226512-7	1	Helical Gear 60	109	344646-5	1	Slide Plate
49	257011-8	1	Ring 12	110	344646-5	1	Slide Plate
50	317193-9	1	Bearing Box	111	151907-4	1	Base Com. (Includes 2X817283-3 - Caution Label & 817838-4 - Caution Label)
51	211129-9	1	Ball Bearing 6201DDW	112			
52	323798-5	1	Spindle	113	286212-1	5	Cap 20
53	285694-4	1	Bearing Retainer 58	114	266026-4	2	Tapping Screw Bind CT 4x12
54	911223-4	2	P.H. Screw M5x16	115	816347-0	1	Miter Scale Plate
55	224151-7	1	Inner Flange 40	116	921477-5	1	Hex. Bolt M8x55
56	224275-9	1	Outer Flange 40	119	251887-5	1	Screw M6x10
57	265461-3	1	Hex. Bolt M6x18	120	252162-2	1	Square Weld Nut M6
58	344640-7	1	Center Plate	121	921321-6	1	Hex. Bolt M6x16
59	344641-5	1	Center Cover	122	941151-9	1	Flat Washer 6
60	265473-6	1	Hex. Flange Head Bolt M6x14	123	253047-5	1	Flat Washer 6
61	265985-9	1	Hex Socket Head Bolt M6	124	253744-3	1	Flat Washer 12
62	344639-2	1	Center Washer	125	271275-0	1	Knob 45
63	231934-8	1	Spiral Spring 26	126	315891-9	1	Vice Plate
				127	321490-7	1	Release Nut R



Item No.	Part No.	No. Used	Description	Item No.	Part No.	No. Used	Description
128	321491-5	1	Release Nut L	A08	DC1801	1	DC1801 Battery Charger (For 7.2V, 9.6V, 12V, 14.4V &18V - 1.3Ah, 1.7Ah, 2.0Ah & 2.2Ah Batteries)
129	341911-3	2	Protector	A09	192827-3	1	18V Ni-Cad Battery 1822 (2.0Ah)
130	341912-1	1	Nut Holder		192829-9	1	18V Ni-MH Battery 1833 (2.2Ah)
131	342967-9	1	Set Plate	A10	A-86153	1	8-1/2" C.T. Saw Blade 40 Teeth (1" Arbor)
132	911216-1	1	P.H. Screw M5x14		A-86452	1	8-1/2" C.T. Saw Blade 80 (1" Arbor)(Optional)
133	911317-5	1	P.H. Screw M6x14	A11	192932-6	1	Sub Plate Set (Includes Items 120 - 122)
134	251887-5	2	Screw M6x10	A12	122551-4	1	Set Plate Assy (Includes Item 119)
135	265917-6	2	Adjust Bolt M8x42	A13	122563-7	1	Vice Assy (Includes Items 123-133)
200	654510-5	1	Closed End Terminal 5.5 SD	A14	192713-8	1	Holder Set (Includes Items 134 & 135)
Accessories				A15	256812-1	1	Rod 12
A01	782223-9	1	Box Wrench	A16	191686-A	1	Makita Safety Glasses
A02	414938-7	1	Battery Cover				
A03	192673-4	1	Holder 160 Set				
A04	762001-3	1	Triangular Rule				
A05	122523-9	1	Dust Bag Assy				
A06	410602-8	1	Fastener				
A07	193037-5	1	Vice Set				