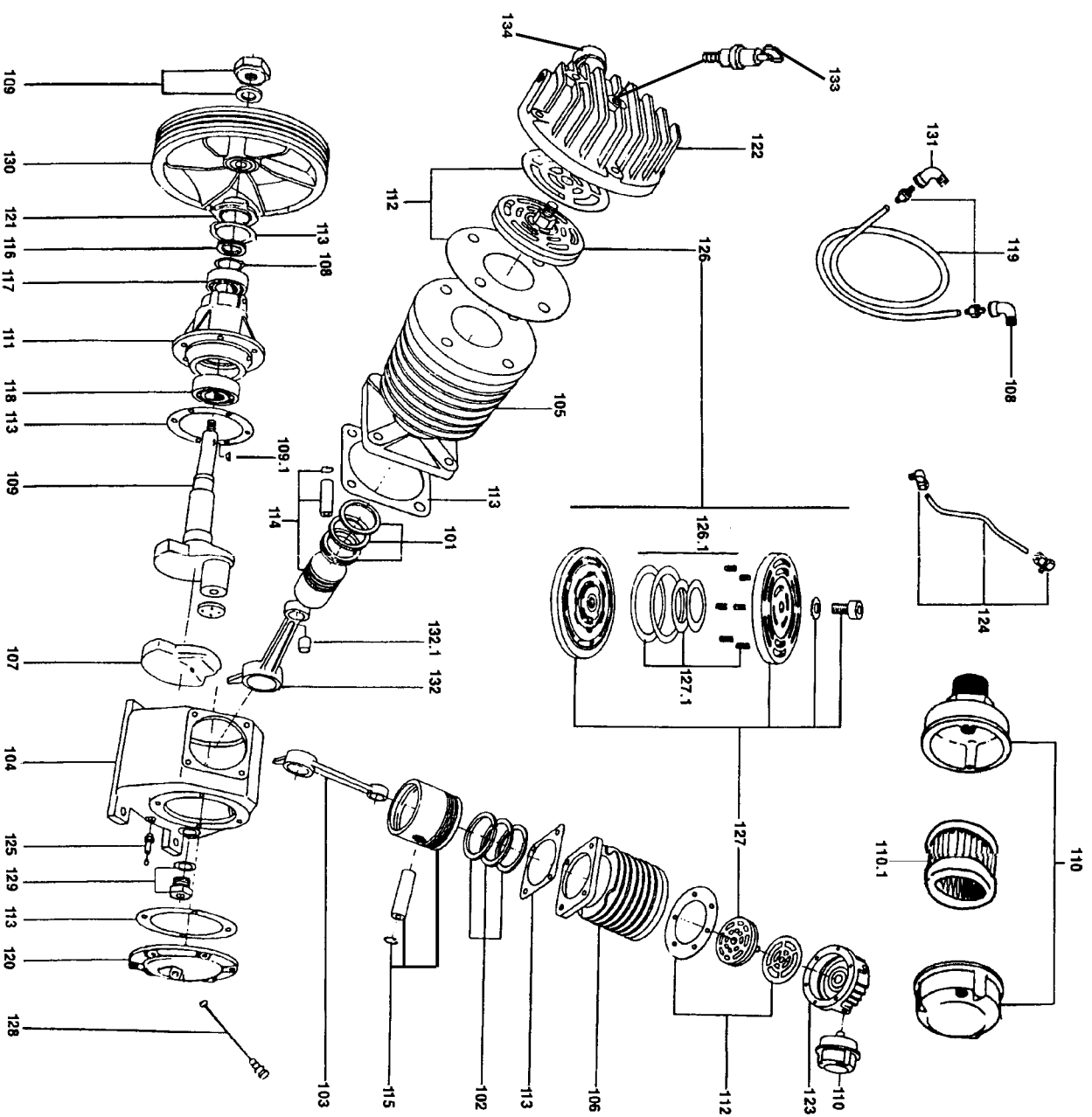


**NOTE:**  
 Isolator washers must be mounted  
 with rubber up.



## Parts List for LS6580V2M Type 0

Item Number	Part Number	Description	Qty Required
1	N000323	VALVE GLOBE 200 PSI	1
2	DAC-252	VALVE CHECK 1/2NPT X	1
3	000000-00	No Longer Available	1
4	000000-00	No Longer Available	1
5	AC-0434	BELTGUARD OUTSIDE	1
6	AC-0437	FILTER INLET SOLBERG	1
7	000000-00	No Longer Available	1
8	000000-00	No Longer Available	1
9	CAC-1367	TUBE PRESSURE RELIEF	1
10	000000-00	No Longer Available	1
11	000000-00	No Longer Available	1
12	000000-00	No Longer Available	1
13	000000-00	No Longer Available	1
18	D26719	MOTOR OL 240V 2POLE	1
22	N286039	DRAIN VALVE	1
24	SSF-955	SCREW .375-16X1.50 H	1
25	SSF-3140-ZN	SCREW .375-16X1.00 H	1
26	SSF-8131	NUT SPEED 8AB U TYPE	2
27	SSF-8111-ZN	NUT .375-16 HEX WHIZ	1
28	SSF-953-ZN	SCREW #10X.625 HHW S	1
29	91895680	SCREW .250-20X.750 H	1
31	SS-8553	CONNECTOR BODY	1
33	000000-00	No Longer Available	1
36	TIA-4200	VALVE SAFETY 200 .25	1
37	SSP-7811	ASSY NUT SLEEVE 1/4	2
39	GA-360-B	GAUGE 300 PSI BACK M	1
40	SSP-7824	ASSY NUT SLEEVE 5/8	1

## Parts List for LS6580V2M Type 0

Item Number	Part Number	Description	Qty Required
101	000000-00	No Longer Available	1
102	000000-00	No Longer Available	1
103	000000-00	No Longer Available	2
104	000000-00	No Longer Available	1
105	000000-00	No Longer Available	1
106	000000-00	No Longer Available	1
107	000000-00	No Longer Available	1
108	000000-00	No Longer Available	1
109	000000-00	No Longer Available	1
109	000000-00	No Longer Available	1
110	000000-00	No Longer Available	1
111	000000-00	No Longer Available	1
112	000000-00	No Longer Available	1
113	000000-00	No Longer Available	1
114	000000-00	No Longer Available	1
115	000000-00	No Longer Available	1
116	000000-00	No Longer Available	1
117	000000-00	No Longer Available	1
118	000000-00	No Longer Available	1
119	000000-00	No Longer Available	1
120	000000-00	No Longer Available	1
121	000000-00	No Longer Available	1
122	000000-00	No Longer Available	1
123	000000-00	No Longer Available	1
124	000000-00	No Longer Available	1
125	000000-00	No Longer Available	1
126	000000-00	No Longer Available	1

## Parts List for LS6580V2M Type 0

Item Number	Part Number	Description	Qty Required
126	000000-00	No Longer Available	1
127	000000-00	No Longer Available	1
127	000000-00	No Longer Available	1
128	000000-00	No Longer Available	1
129	000000-00	No Longer Available	1
130	000000-00	No Longer Available	1
131	000000-00	No Longer Available	1
132	000000-00	No Longer Available	1
132	000000-00	No Longer Available	1
133	000000-00	No Longer Available	1
134	SSP-6461	ELBOW 1/2NPT X 5/8 T	1
856	000000-00	No Longer Available	1
856	KK-4315	KIT VALVE REPLACEMENT	1