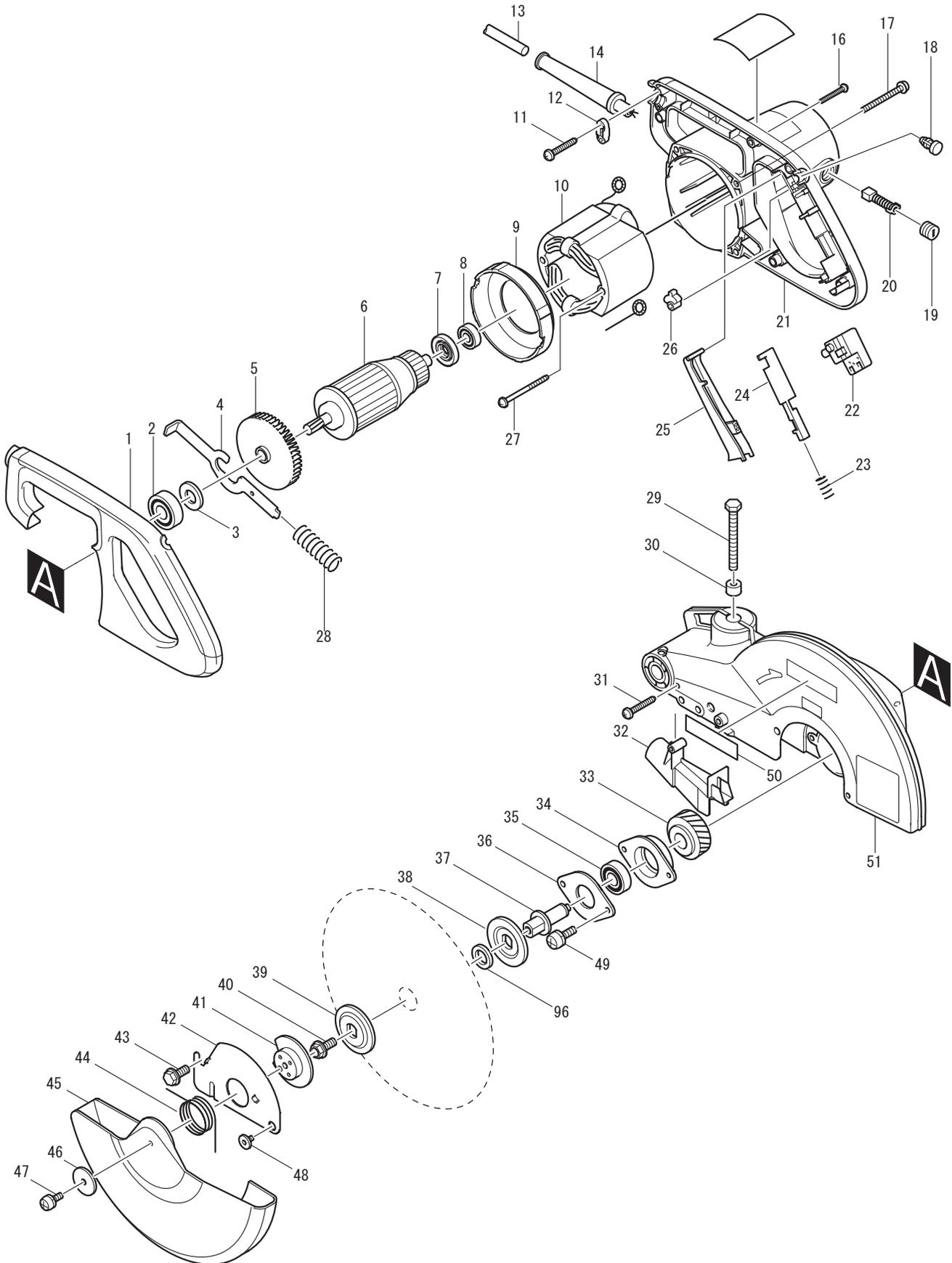
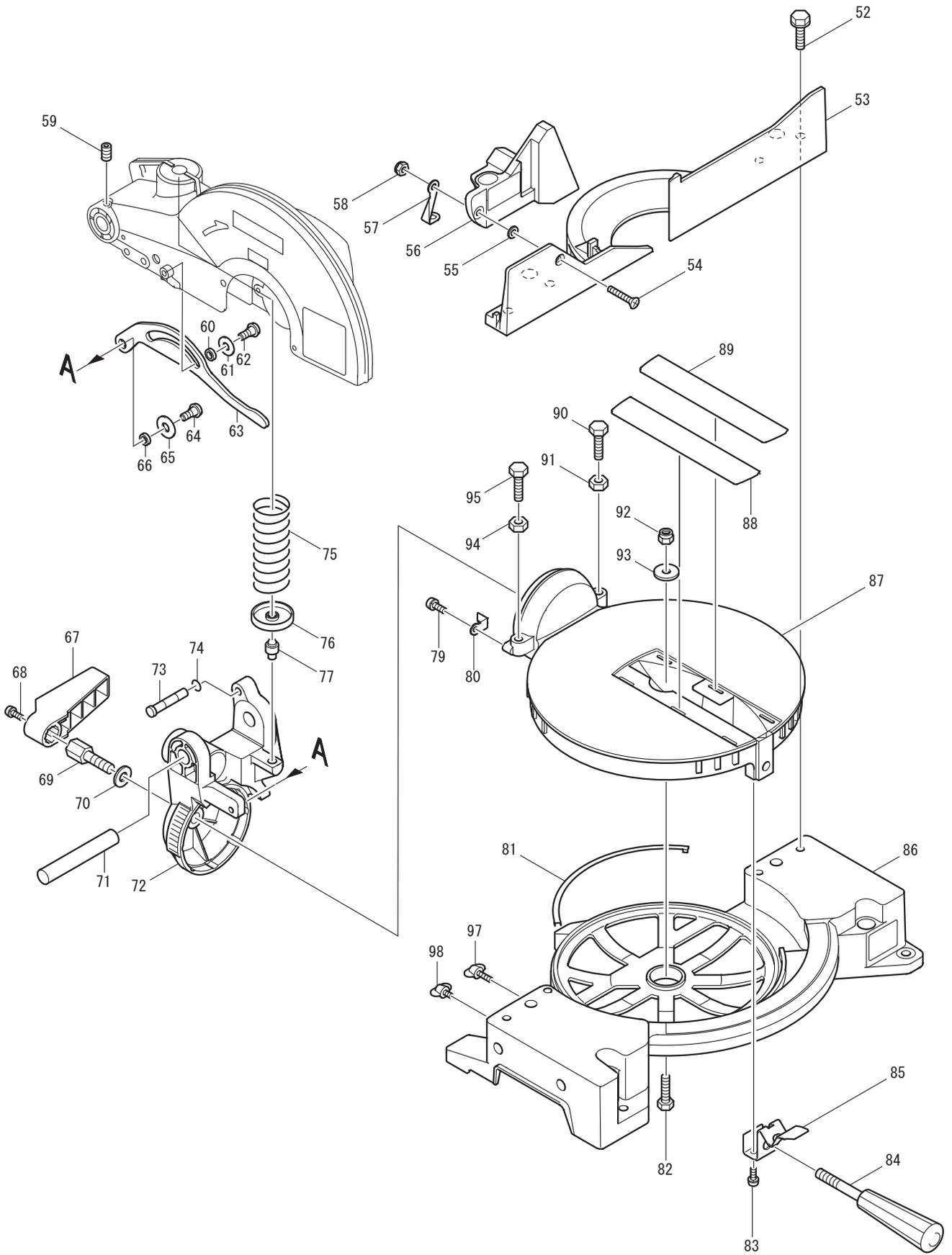




03 - 2010
LS1040
10" COMPOUND MITRE SAW
With BRAKE





Item No	Type	Ref	Part No	Description	Qty	Unit
1			416004-6	HANDLE COVER	1	PC.
2			211206-7	BALL BEARING 6202LLB	1	PC.
3	1		253853-8	FLAT WASHER 15 - Ø22mm (7/8")	1	PC.
	2		267280-3	FLAT WASHER 15 - Ø19mm (7/8")	1	PC.
4			343641-2	SHAFT LOCK	1	PC.
5			241909-9	FAN 80	1	PC.
6			516716-2	ARMATURE ASS'Y 115V	1	PC.
		INC.		Item No. 2,3,5,7,8		
7			681640-9	INSULATION WASHER	1	PC.
8			211061-7	BALL BEARING 6000LLB	1	PC.
9	1		416002-0	* BAFFLE PLATE	1	PC.
	2		416442-2	* BAFFLE PLATE	1	PC.
10	2		526066-7	* FIELD ASS'Y 115V	1	PC.
		INC.	654020-2	* RING TERMINAL	1	PC.
		INC.	654502-4	* CONNECTOR P-2	1	PC.
11			265995-6	TAPPING SCREW 4X18	2	PC.
12			687052-4	STRAIN RELIEF	1	PC.
13			664463-0	CORD W/PLUG 2P-14-2.5M, SJ	1	PC.
14			682505-8	CORD GUARD 10-90	1	PC.
16			265995-6	TAPPING SCREW 4X18	5	PC.
17			911383-2	PAN HEAD SCREW M6X60	4	PC.
18			411478-6	SWITCH BUTTON	1	PC.
19			643650-4	BRUSH HOLDER CAP 6.5-13.5	2	PC.
20	1		181047-4	CARBON BRUSH CB-154 2PC/SET (W/O ORIGIN)	1	SET
	2		194986-9	CARBON BRUSH CB-154 2PC/SET (W/ ORIGIN)	1	SET
21	1		159916-7	* MOTOR HOUSING COMPLETE	1	PC.
		INC.	817881-3	* CAUTION LABEL	1	PC.
		INC.	643660-1	* BRUSH HOLDER 6.5-13.5	2	PC.
	2		153793-9	* MOTOR HOUSING COMPLETE	1	PC.
		INC.	817881-3	* CAUTION LABEL	1	PC.
	1	INC.	643660-1	* BRUSH HOLDER 6.5-13.5 (Sheet metal sleeve)(Type1)	2	PC.
	2	INC.	643653-8	* BRUSH HOLDER 6.5-13.5 (Machined sleeve)(Type2)	2	PC.
22			651923-1	SWITCH TG70B	1	PC.
23			231457-6	COMPRESSION SPRING 3	1	PC.
24			416000-4	LOCK OFF LEVER	1	PC.
25			415999-0	SWITCH LEVER	1	PC.
26			414546-4	CAM	1	PC.
27			266029-8	TAPPING SCREW 5X65	2	PC.
28			231297-2	COMPRESSION SPRING 9	1	PC.
29			251667-9	HEX. BOLT M8X75	1	PC.
30			262511-5	RUBBER SLEEVE 6	1	PC.
31			265995-6	TAPPING SCREW 4X18	1	PC.
32	1		416007-0	GUIDE COVER	1	PC.
	2		453695-2	GUIDE COVER	1	PC.
33			226465-0	HELICAL GEAR 42	1	PC.
34			316821-3	BEARING BOX	1	PC.
35			211256-2	BALL BEARING 6203LLB	1	PC.
36			285685-5	BEARING RETAINER 64	1	PC.
37			322865-3	SPINDLE	1	PC.
38			224333-1	FLANGE 53	1	PC.
39			224333-1	FLANGE 53	1	PC.
40			265355-2	HEX. FLANGE HEAD BOLT M8X20	1	PC.

Item No	Type	Ref	Part No	Description	Qty	Unit
41			343639-9	CENTER PLATE	1	PC.
42			344380-7	CENTER COVER	1	PC.
43			265324-3	HEX. FLANGE HEAD BOLT M8X12	1	PC.
44			231593-8	TORSION SPRING 36	1	PC.
45			416003-8	SAFETY COVER	1	PC.
46			267136-0	FLAT WASHER 5	1	PC.
47			911213-7	PAN HEAD SCREW M5X12	1	PC.
48			265985-9	HEX.SOCKET HEAD BOLT M6	1	PC.
49			911223-4	PAN HEAD SCREW M5X16	2	PC.
50			819064-1	* MAKITA MARK (OLD)	1	PC.
51	4		188325-3	* BLADE CASE SET	1	SET
		INC.	816847-0	* OPERATIONAL INDICATION LABEL	1	PC.
		INC.	817874-0	* CAUTION LABEL	1	PC.
		INC.	263005-3	* RUBBER PIN 6	1	PC.
		INC.	819214-8	* MAKITA LOGO LABEL (Add)(Old)	1	PC.
	5		140649-5	* BLADE CASE COM	1	SET
		INC.	816847-0	* OPERATIONAL INDICATION LABEL	1	PC.
		INC.	891310-4	* CAUTION LABEL	1	PC.
		INC.	263005-3	* RUBBER PIN 6	1	PC.
52	1		921451-3	HEX. BOLT M8X30	4	PC.
	2		265488-3	HEX. BOLT M8X30	4	PC.
53	1		316826-3	GUIDE RULE (Silver --> Yellowish Gray)	1	PC.
	2		318847-1	GUIDE RULE	1	PC.
54			912342-9	COUNTERSUNK HEAD SCREW M6X25	1	PC.
55			253715-0	FLAT WASHER 6	1	PC.
56			150663-3	SUB FENCE COMPLETE (Silver -->Yellowish Gray)	1	PC.
		INC.	810858-7	CAUTION LABEL	1	PC.
57			344476-4	SUB FENCE PLATE	1	PC.
58			252014-7	HEX. LOCK NUT M6-10	1	PC.
59			251961-9	H.S.SET SCREW(FLAT POINT)M6X10	1	PC.
60			257162-7	RING 7	1	PC.
61			253823-7	FLAT WASHER 7	1	PC.
62			265984-1	HEX.SOCKET BUTTON HEAD BOLT M6	1	PC.
63			344377-6	LINK PLATE	1	PC.
64			265984-1	HEX.SOCKET BUTTON HEAD BOLT M6	1	PC.
65			253823-7	FLAT WASHER 7	1	PC.
66			257162-7	RING 7	1	PC.
67			416006-2	LEVER 100	1	PC.
68			911113-1	PAN HEAD SCREW M4X10	1	PC.
69			265437-0	HEX. BOLT M10	1	PC.
70			253024-7	FLAT WASHER 10	1	PC.
71			256836-7	ROD 16	1	PC.
72	3		154463-3	* ARM COMPLETE	1	PC.
		INC.	816310-3	* SCALE LABEL	1	PC.
73			322317-4	STOPPER PIN	1	PC.
74			213021-5	O RING 5	1	PC.
75			233152-4	COMPRESSION SPRING 28	1	PC.
76	1		343638-1	* SPRING HOLDER	1	PC.
	2		344464-1	* SPRING HOLDER	1	PC.
77			256280-8	* PIN 8	1	PC.
78			257681-3	* SLEEVE 8 (Old)	1	PC.
79			911113-1	PAN HEAD SCREW M4X10	1	PC.

Item No	Type	Ref	Part No	Description	Qty	Unit
80			344385-7	POINTER	1	PC.
81			343799-7	SLIDE PLATE	3	PC.
82			921452-1	HEX. BOLT M8X30	1	PC.
83			911213-7	PAN HEAD SCREW M5X12	2	PC.
84			273495-2	GRIP 32	1	PC.
85			344381-5	KNOCK SPRING	1	PC.
86			150648-9	BASE COMPLETE (Silver --> Yellowish gray)	1	PC.
		INC.	816311-1	MITER SCALE PLATE	1	PC.
		INC.	817838-4	CAUTION LABEL	1	PC.
		INC.	817283-3	CAUTION LABEL	2	PC.
87			316824-7	TURN BASE (Silver --> Yellowish gray)	1	PC.
88			416001-2	KERF BOARD	1	PC.
89			416001-2	KERF BOARD	1	PC.
90			921452-1	HEX. BOLT M8X30	1	PC.
91			931402-8	HEX. NUT M8	1	PC.
92			252105-4	HEX. LOCK NUT M8-13	1	PC.
93	1		253852-0	FLAT WASHER 8	1	PC.
	2		253762-1	FLAT WASHER 8	1	PC.
94			931402-8	HEX. NUT M8	1	PC.
95			921452-1	HEX. BOLT M8X30	1	PC.
98			265708-5	* SCREW M6X20 (OLD)	2	PC.
100			687080-9	FIELD CLAMP	2	PC.
101			654098-5	RECEPTACLE	4	PC.
C01			846698-7	CARTON F/LS1040	1	PC.

ACCESSORIES

A01			411478-6	SWITCH BUTTON	2	PC.
A02			762001-3	TRIANGULAR RULE	1	PC.
A03			782212-4	SOCKET WRENCH 13	1	PC.
A04	1		122523-9	DUST BAG ASS'Y	1	PC.
		INC.	410602-8	FASTENER	1	PC.
	2		122852-0	DUST BAG ASS'Y	1	PC.
		INC.	410602-8	FASTENER	1	PC.
A05	2		193471-9	SUB PLATE ASS'Y (OLD# 122531-0)	1	PC.
		INC.	921431-9	HEX. BOLT M8X20	1	PC.
A06			122536-0	WISE ASS'Y	1	PC.
		INC.	251370-2	+ PAN HEAD SCREW I5	1	PC.
		INC.	251887-5	SCREW M6X10	1	PC.
		INC.	253804-1	FLAT WASHER 6	1	PC.
		INC.	271286-5	KNOB 40	1	PC.
		INC.	316938-2	WISE ARM	1	PC.
		INC.	322313-2	WISE ROD	1	PC.
		INC.	343651-9	WISE PLATE	1	PC.
A07			192622-1	CROWN MOLDING STOPPER SET	1	PC.
A08			256812-1	EXTENSION ROD	2	PC.
A09			192621-3	HOLDER SET (2PCS)	1	PC.
		INC.	251896-4	SCREW M5X20	2	PC.
A10			122472-0	SET PLATE ASSY	1	PC.
		INC.	251887-5	SCREW M6X10	1	PC.

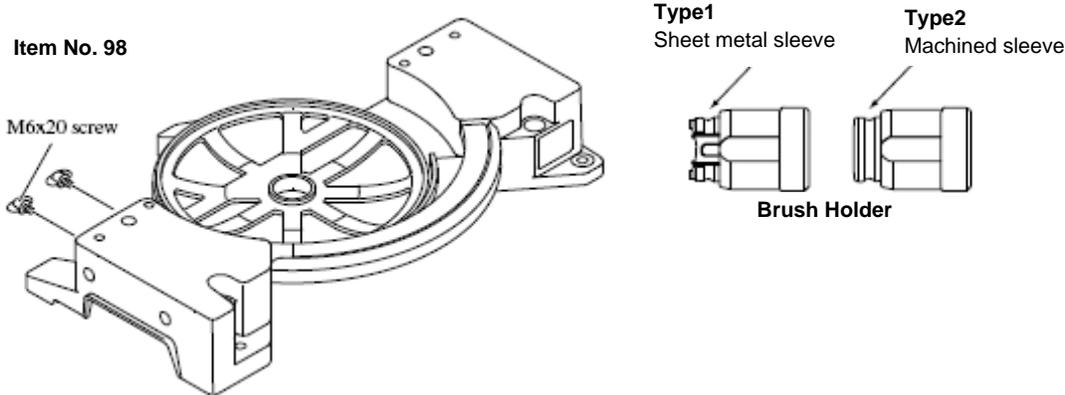
Item No	Type	Ref	Part No	Description	Qty	Unit
A11			192713-8	FOOT ASSY	1	PC.
	INC.		265917-6	ADJUST BOLT M8X42	2	PC.
	INC.		251887-5	SCREW M6X10	1	PC.
A12			122536-0	VERTICAL VISE ASSY (YELLOWISH GRAY)	1	PC.
A13			122563-7	HORIZONTAL VISE ASSY	1	PC.
	INC.		253047-5	FLAT WASHER 6	1	PC.
	INC.		253744-3	FLAT WASHER 12	1	PC.
	INC.		271275-0	KNOB 45	1	PC.
	INC.		315891-9	VICE PLATE	1	PC.
	INC.		321490-7	RELEASE NUT R	1	PC.
	INC.		321491-5	RELEASE NUT L	1	PC.
	INC.		341911-3	PROTECTOR	2	PC.
	INC.		341912-1	NUT HOLDER	1	PC.
	INC.		342967-9	SET PLATE	1	PC.
	INC.		911216-1	P.H. SCREW M5X14	1	PC.
	INC.		911317-5	P.H. SCREW M6X14	1	PC.
A14			194061-1	MITRE SAW STAND - See Parts breakdown 194061-1	1	PC.
A15			721434-1	10" C.T.SAW BLADE 32T	1	PC.

SERVICE CHANGES

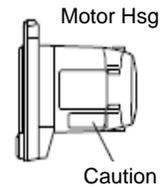
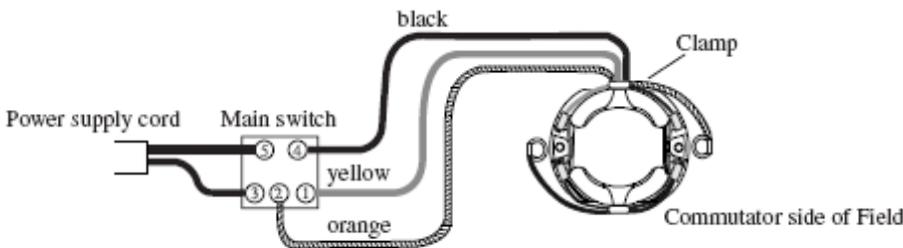
1. Changes on Baffle Plate, Field Assy and Motor Housing Complete.

Item No.	Description	Type 1	Type 2	Type 3
9	Baffle Plate	416002-0		416442-2
10	Field Assy 115V	596136-6 (or 636136-5)		526066-7
21	Motor Housing Com	159916-7		153793-9
	Brush holder (component of Item 21)		643660-1	643653-8
98	Screw M6X20	-----		265708-5

Above parts are completely interchangeable as a set.
Item No. 98 is interchangeable as itself.

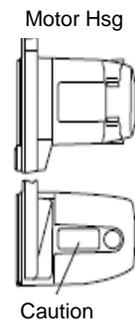
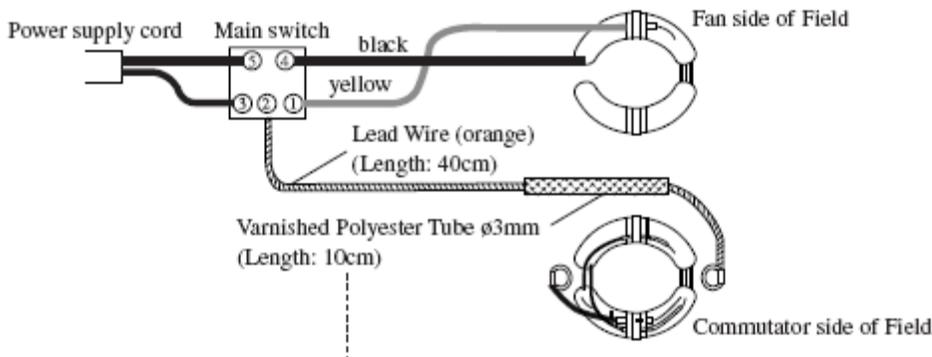


Type 1 Motor Housing complete, Field and wiring



Lead wire (orange) is a component part of Field Ass'y 115V (596136-6).
It is clamped on Field.

Type 2 Motor Housing complete, Field and wiring



Lead wire (orange) is not a component part of Field Ass'y 115V (526066-7).
It is not clamped on Field. Be sure to cover the Lead wire (orange) with 10cm of Varnished Polyester Tube \varnothing 3mm so as to protect it from iron edges of Field as illustration above.

SERVICE CHANGES

2. Changes on Blade Case Complete / Set

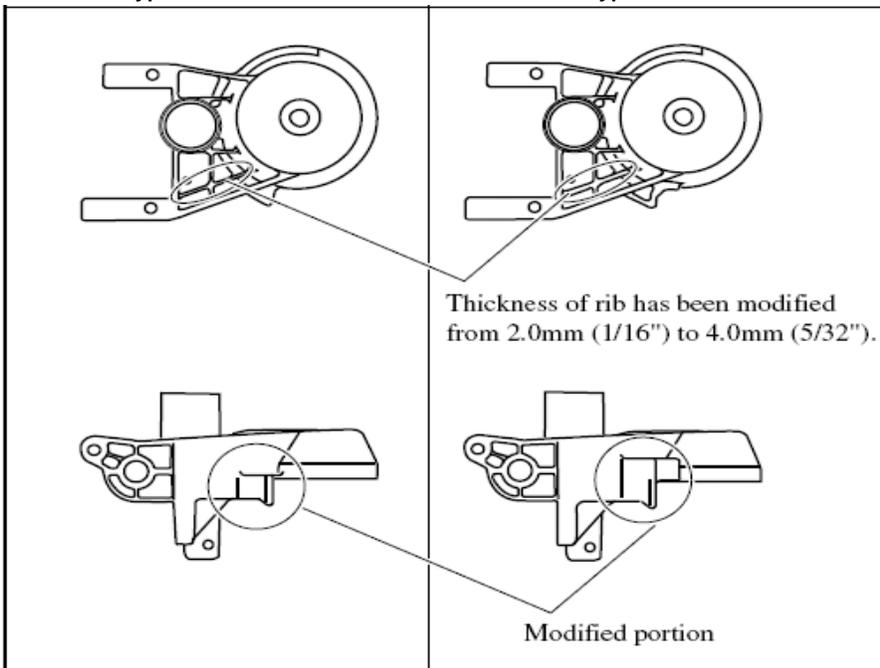
Item No.	Description	Type 1	Type 2	Type 3	Type 4	Type 5
51	Blade Case	151461-8 (Complete)		188325-3 (Set)		140649-5 (Complete)
	color of blade case	Silver	Yellowish gray			
	Makita Logo Label (component of Item 51)	-----			819214-8	-----
	Caution /Indication label	817667-5 (caution label)			816847-0 (indication label)	
	Caution	817874-0				891310-4
50	Makita Mark	819064-1		-----		

3. Changes on Arm Complete

Item No.	Description	Type 1	Type 2	Type 3
72	Arm Complete	150664-1		
	color of Arm complete	Silver	Yellowish gray	

Type 1 & 2

Type 3



4. Changes on Style of Spring Holder and Pin 8

Item No.	Description	Type 1	Type 2
76	Spring Holder	343638-1	344464-1
77	Pin 8	256199-1	256280-8
78	Sleeve 8	257681-3	-----

Above parts are completely interchangeable as a set.

