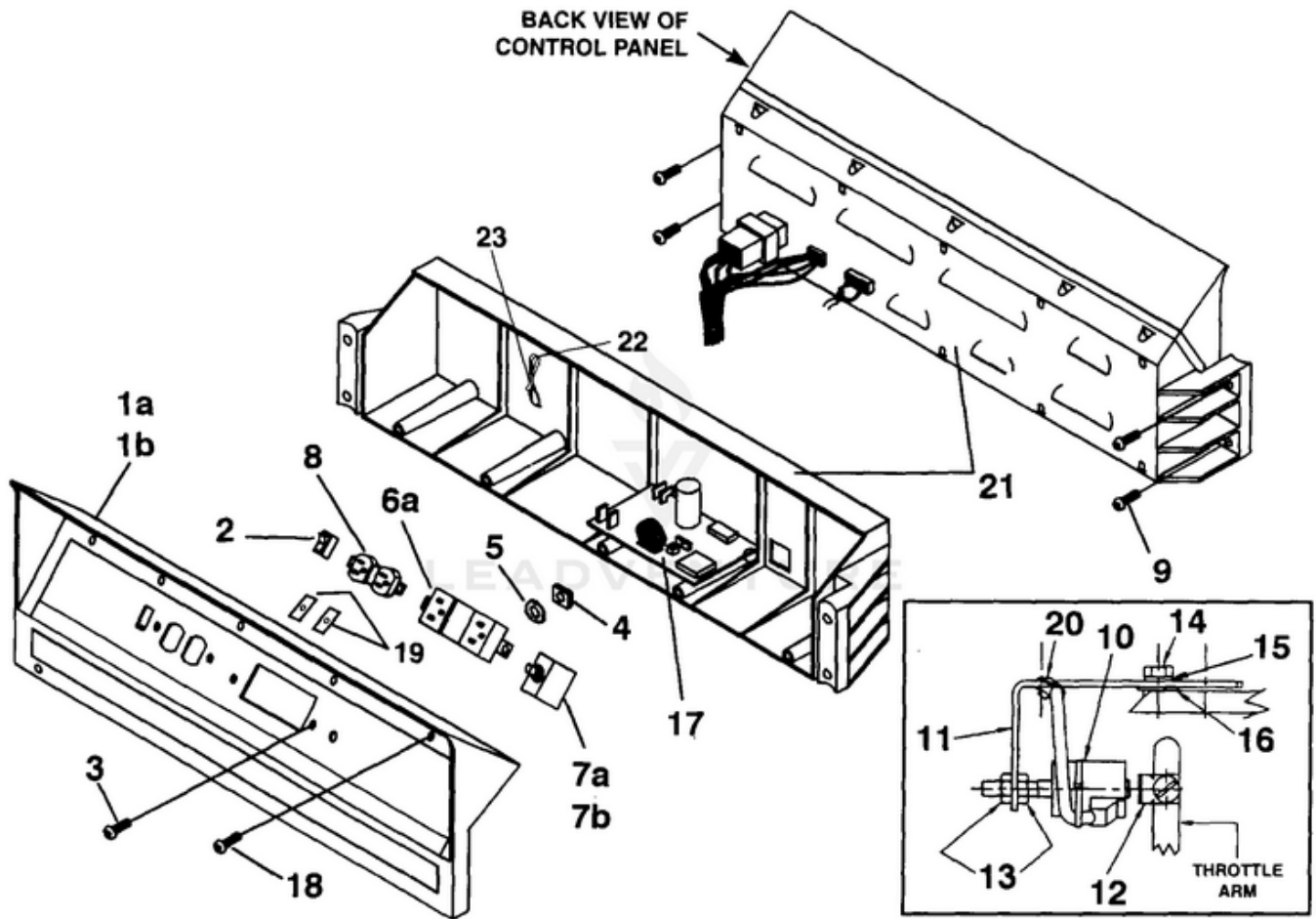


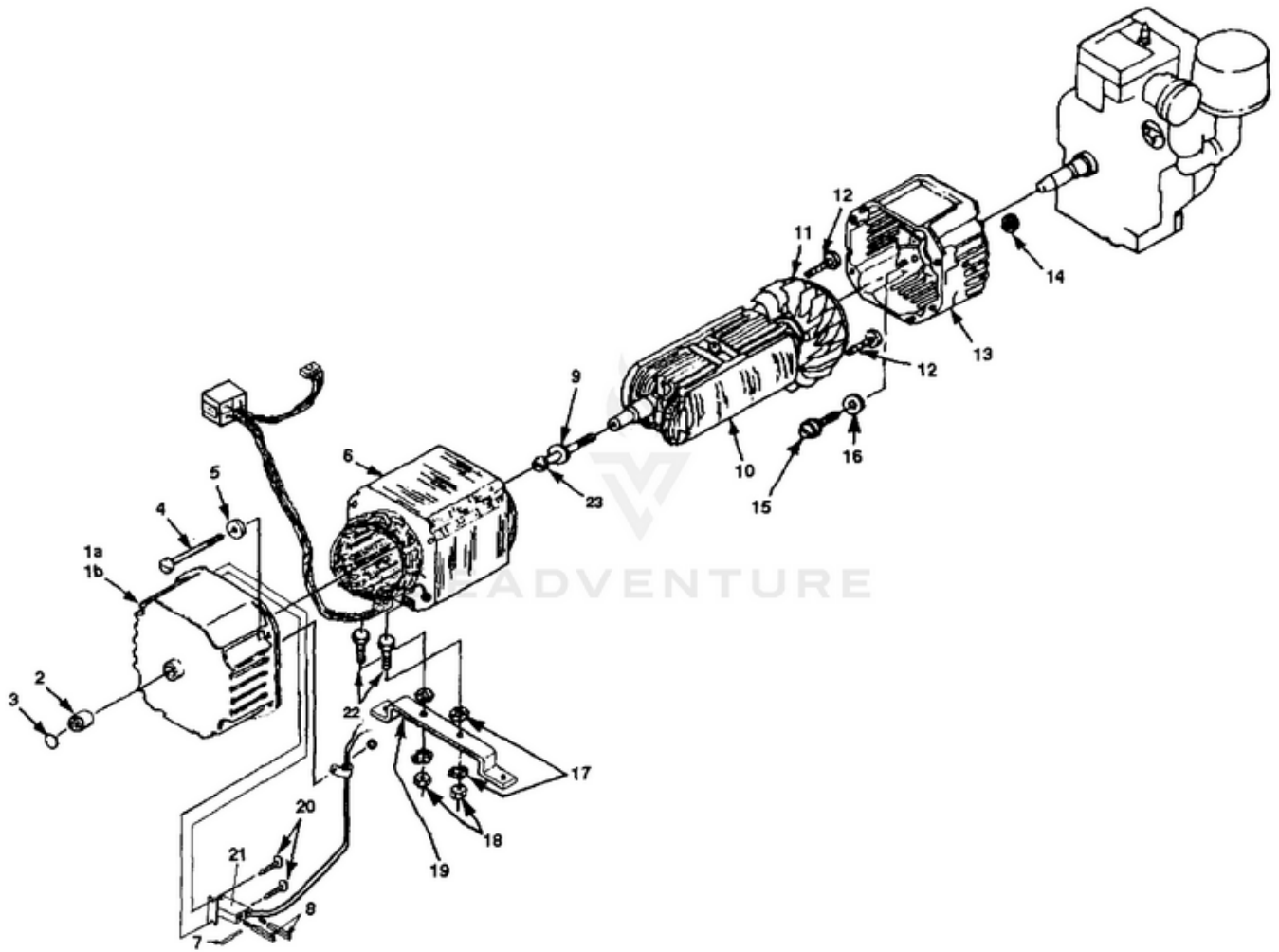
LRI4400/CSA Generator UT-03788-A - Control Panel



Rendered by LeadVenture, Inc.

Ref #	Part #	Description	Qty	Context Note
1A	A07102A	CONTROL PANEL (LRI2500)	1	
1B	A07123	CONTROL PANEL (LRI2500/CSA)	1	
2	02497	SWITCH	1	
3	80577	SCREW-Pan Hd. (8-32 X 7/8")	4	
4	81009	NUT-Hex	4	
5	83022	WASHER-Lock	4	
6A	04058	RECEPTACLE (GFCI) (LRI2500)	1	
6B	04058	RECEPTACLE (GFCI) (LRI2500/CSA)	2	
7A	49831A	CIRCUIT BREAKER (20 amp) (LRI2500)	1	
7B	01649A	CIRCUIT BREAKER (15 amp) (LRI2500/ CSA)	2	
8	51373	RECEPTACLE-Duplex (LRI2500) (120V)	1	
9	96620	SCREW-Torx Hd. (10-24 X 1/2")	4	
10	A07062	ELECTROMAGNET	1	
11	07080A	BRACKET (5HP)	1	
12	070811	PADDLE (5HP)	1	
13	810652	NUT-Hex (1/4-28)	2	
14	80049	SCREW-Hex Hd. (1/4-20 X 5/8")	1	
15	83009	WASHER-Lock	1	
16	84006	WASHER-Flat	1	
17	A06257	CONTROL BOARD	1	NOTE: Remove Jumper for use on 2500
18	82536	SCREW-Thread Forming (8-16 X 3/4")	8	
19	98792	BUMPER-Rubber	2	
20	04805	TIE-Cable	1	
21	066481	CONTROL PANEL-Back	1	
22	46840	TIE, Cable	1	
23	06655	Clip, Tie	1	

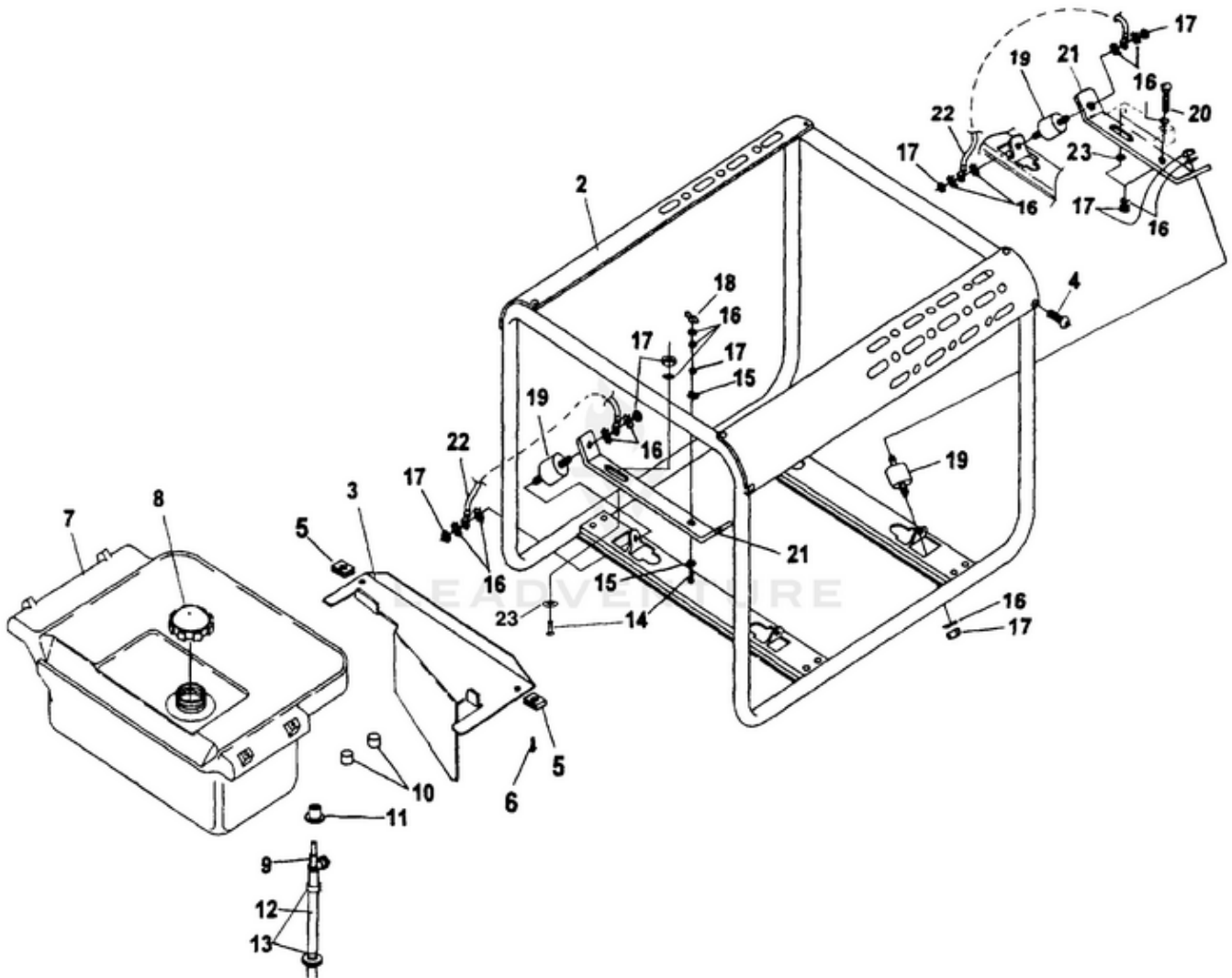
LRI4400/CSA Generator UT-03788-A - Generator End



Rendered by LeadVenture, Inc.

Ref #	Part #	Description	Qty	Context	Note
1A	A07068	COMPLETE BRUSH HEAD (LRI2500)	1		
1B	A07124	COMPLETE BRUSH HEAD (LRI2500/CSA)	1		
2	03044	BEARING-Needle	1		
3	02438	PLUG-Expansion	1		
4	4885305	BOLT-Stator	4		
5	84124	WASHER-Flat (1/4")	4		
6	A06772S	STATOR & HARNESS	1		
	A03035	BRUSH & RETAINER KIT	1		
7	02857	PIN	1		
8	02664	BRUSH	2		
9	83002	WASHER-Lock (5/16")	1		
10	A02800AS	ROTOR	1		
11	A04013	FAN-Generator	1		
12	82526	SCREW-Pan Hd. (6-19 X 3/4")	4		
13	020267	END BELL	1		
14	81267	NUT-Hex (1/4-20)	4		
15	80604	SCREW-Hex Hd. (5/16-24 X 3/4")	4		
16	83081	WASHER-Lock	4		
17	83033	WASHER-Lock (int./ext.)	4		
18	81162	NUT-Hex (5/16-18)	2		
19	028441	BRACKET-Generator Support	1		
20	82526	SCREW-Plastite (6-19 X 3/4")	2		
21	02365	BRUSH HOLDER	1		
22	80083	SCREW-Hex Hd. (5/16-18 X 3/4")	2		
23	4885211	BOLT-Rotor	1		

LRI4400/CSA Generator UT-03788-A - Tank & Frame



Rendered by LeadVenture, Inc.

Ref #	Part #	Description	Qty	Context	Note
1	A06411	ROLL CAGE	1		
2	063831	BRACE-Tank Support	2		
3	064141	SHIELD-Fuel Tank	1		
4	96620	SCREW-Torx (10-24 X 1/2")	8		
5	81227	NUT-Speed	2		
6	80577	SCREW-Pan Hd. (8-32 X 3/8")	2		
7	A06984	FUEL TANK (3 Gal.)	1		
8	04864	CAP-Fuel (2 1/4" Dia.)	1		
9	07565	VALVE-Fuel	1		
10	06644	PAD-Fuel Tank	4		
11	47222	BUSHING	1		
12	4958608	HOSE-Fuel (8")	1		
13	49587	CLIP-Hose	2		
14	80088	SCREW-Hex Hd. (5/16-18 X 1 1/4")	2		
15	83033	WASHER-Flat (5/16)	2		
16	83081	WASHER-Lock (int.)	2		
17	81162	NUT-Hex (5/16-18)	1		
18	81015	NUT-Wing (5/16-18)	1		
19	49367	ISOLATOR	4		
20	80288	SCREW-Hex Hd. (5/16-18 X 1 3/4")	2		
21	064121	SUPPORT - ENG./GEN.	2		
22	A49399	GROUND STRAP	2		
23	84046	WASHER-Flat	2		

