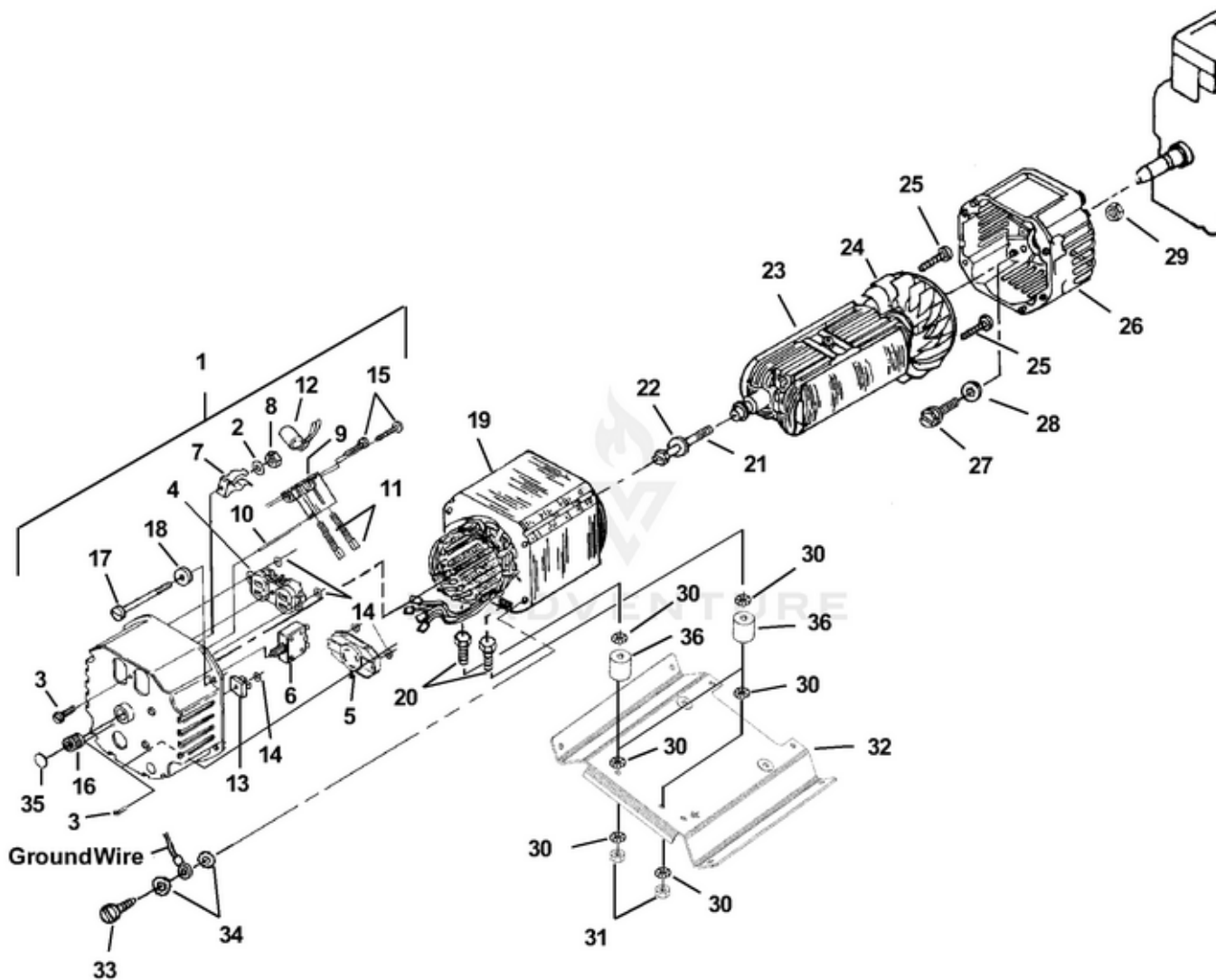


LR5000T Generator UT-03841 - Brush Head -Generator



Rendered by LeadVenture, Inc.

Ref #	Part #	Description	Qty	Context Note
1	A06923	COMPLETE BRUSH HEAD	1	
2	83004	WASHER - Lock (ext.)	1	
3	80630	SCREW - Mach. Pan Hd. (6-32 X 1/2")	3	(Torq. to 9 - 13 In/Lbs (1.0 - 1.5 Nm))
4	498321A	RECEPTACLE - Duplex (Nema 5-20R)	1	
5	46508	RECEPTACLE - Locking (120V/240V) (Nema L14-20R)	1	
6	09183	BREAKER - Circuit (20 amp.)	2	
7	02435	CLIP - Spring Cap	1	
8	81002	NUT - Hex (6-32)	1	
9	02365	BRUSH HOLDER	1	
	A03035	BRUSH & RETAINER KIT	1	
10	02857	PIN	1	
11	02664	BRUSH	2	
12	A02860	CAPACITOR (w/Lead)	1	
13	95672	RECTIFIER	1	
14	02437	WASHER - Shaft Retention	4	
15	82526	SCREW - Pan Hd. (6-19 X 3/4)	2	(Torq. to 12 - 16 In/Lbs (1.4 - 1.8 Nm))
16	03044	BEARING - Needle	1	
17	4885301	BOLT - Stator	4	(Torq. to 60 - 80 In/Lbs (6.8 - 9.0 Nm))
18	84124	WASHER - Flat	4	
19	A02795BS	STATOR	1	(When ordering stator also order decal kit P/N UP03387.)
20	80288	SCREW - Hex Hd. (5/16-18 X 1 3/4")	2	(Torq. to 150 - 155 In/Lbs (16.9 - 17.5 Nm))
21	4885207	BOLT-Rotor	1	(Torq. to 100 - 140 In/Lbs (11.3 - 15.8 Nm))
22	83002	WASHER - Lock (5/16")	1	
23	A02798AS	ROTOR	1	
24	A04013	FAN - Generator	1	
25	82526	SCREW - Pan Hd. (6-19 X 3/4")	4	(Torq. to 12 - 16 In/Lbs (1.4 - 1.8 Nm))
26	UP03726	END BELL	1	
27	80604	SCREW - Hex Hd. (5/16-24 X 3/4")	4	(Torq. to 120 - 150 In/Lbs (13.6 - 16.9 Nm))
28	83078	Washer - Lock	4	
29	81204	Nut - Hex (1/4-20)	4	
30	83033	Washer - Lock (int./ext.)	6	
31	81162	Nut - Hex (5/16-18)	2	
32	063781	Sub - Frame	1	

Ref #	Part #	Description	Qty	Context Note
33	82538	Screw - Taptite (10/24 X 3/4")	1	(Torq. to 45 - 55 In/Lbs (5.1 - 6.2 Nm))
34	83121	Washer - Lock (int./ext.)	2	
35	02438	Plug - Expansion	1	
36	UP03728	Spacer	2	
	UP03387	Decal Kit		

Ref #	Part #	Description	Qty	Context Note
1	UP03373	Fuel Tank (5 Gal.)	1	
2	04864	Fuel Cap (2 1/4" dia.)	1	
3	07565	Valve - Fuel	1	
4	06644	Pad - Fuel Tank	4	
5	47222	Bushing	1	
6	063881	Shield - Fuel Tank	1	
7	4958608	Fuel Line	1	
8	49587	Clip - Hose	4	
9	A49306	Fuel Line to Engine	1	
10	UP03385	Roll Cage	1	
11	UP03377	Brace - Tank Support	2	
12	96620	Screw - Torx (10-24 X 1/2")	8	(Torque to 25 - 35 In/Lbs (2.8 - 4.0 Nm))
13	80577	Screw - Pan Hd. (8-32 X 3/8")	2	(Torque to 8 - 12 In/Lbs (.9 - 1.4 Nm))
14	81227	Nut - Hi Speed	2	
15	80087	Screw - Hex Hd. (5/16-18 X 1 1/2")	4	(Torque to 145 - 155 In/Lbs (16.4 - 17.5 Nm))
16	83081	Washer - Lock (int.)	20	
17	83033	Washer - Lock 3/8" (int/ext.)	2	
18	81162	Nut - Hex (5/16-18)	1	(Torque to 145 - 155 In/Lbs (16.4 - 17.5 Nm))
19	UP03727	Sub-Frame	1	
20	A49399	Ground Strap	2	
21	49367	Isolator	4	
22	80088	Screw - Hex Hd. (5/16-18 X 1 1/2")	1	
23	81015	Nut - Wing	1	(Torque to 145 - 155 In/Lbs (16.4 - 17.5 Nm))
24	UP03697	Fuel Filter	1	
	UP03387	Decal Kit		
33		UNKNOWN	1	