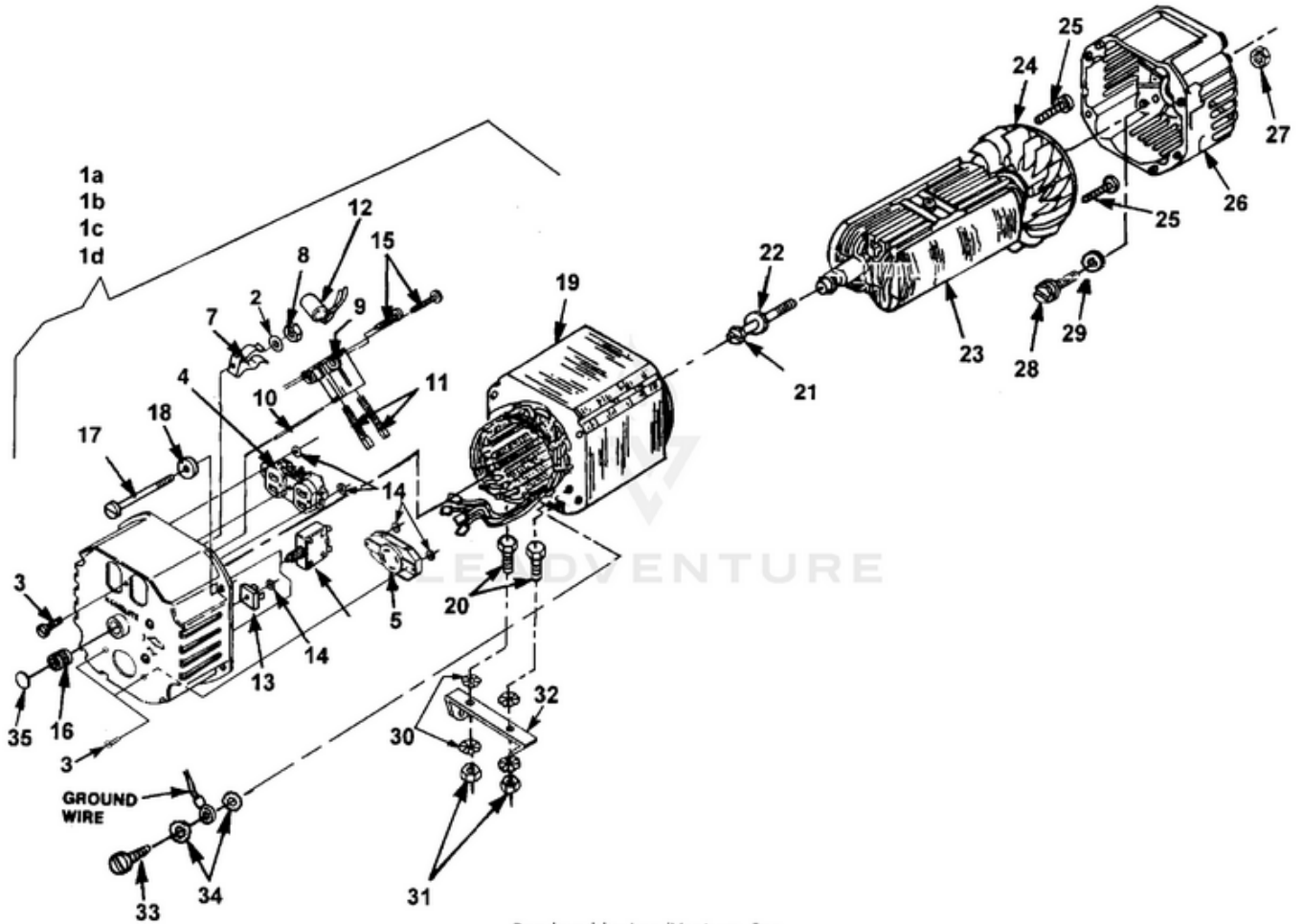


LR4400 C.A.R.B. Generator UT-03800 - Generator End

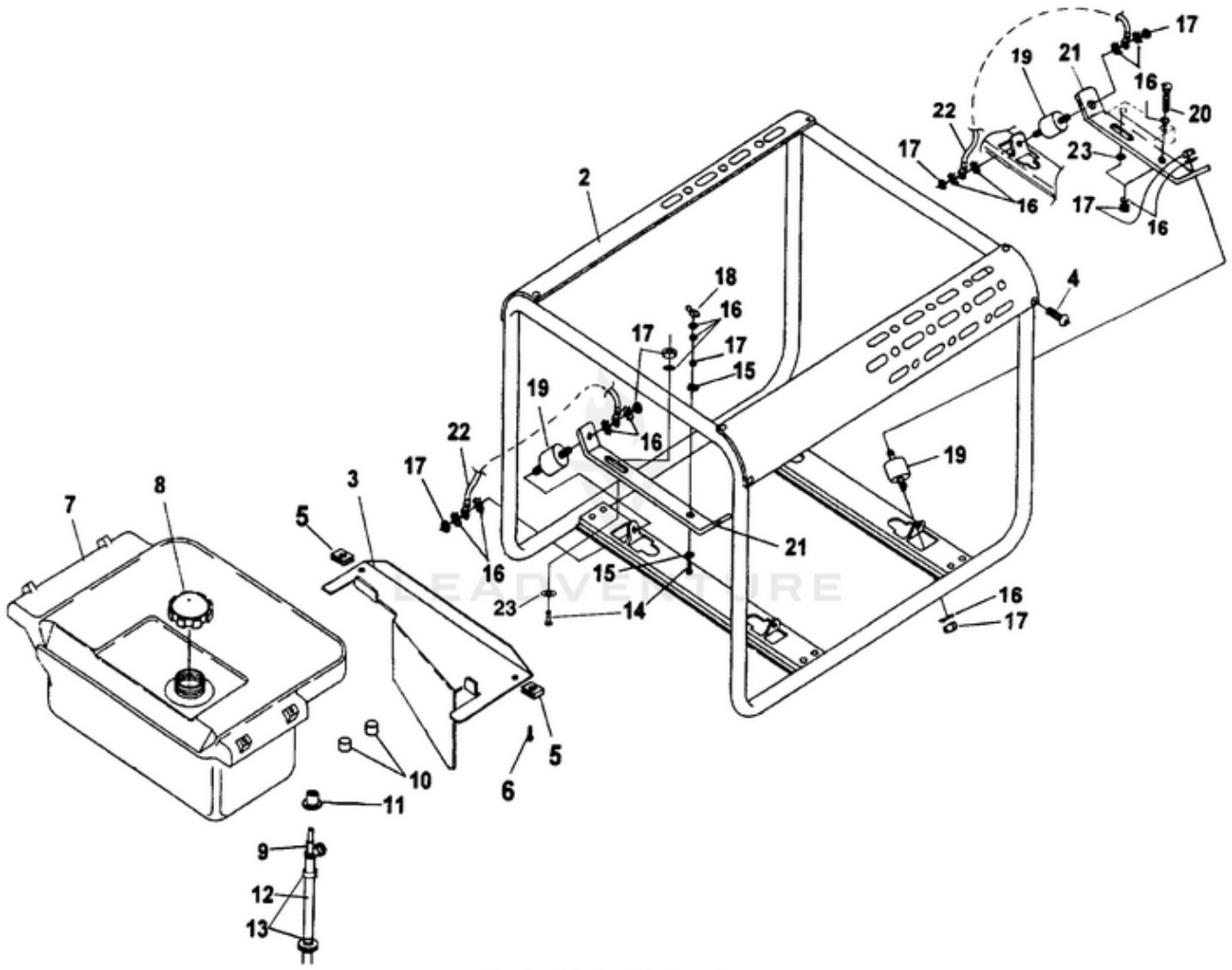


Rendered by LeadVenture, Inc.

| Ref # | Part # | Description | Qty | Context Note |
|-------|----------|--|-----|-------------------------------------|
| 1A | A06923 | COMPLETE BRUSH HEAD | 1 | (LR4400 & LRE4400) |
| 1B | A06921 | COMPLETE BRUSH HEAD | 1 | (LR5500 & LRE5500) |
| 1C | A06987 | COMPLETE BRUSH HEAD | 1 | (LR4400/CSA & LRE4400/CSA) |
| 1D | A06986 | COMPLETE BRUSH HEAD | 1 | (LR5500/CSA & LRE5500/CSA) |
| 2 | 83119 | WASHER-Lock (ext.) | 1 | |
| 3 | 80630 | SCREW-Mach. Pan Hd. (6-32 X 1/2") | 3 | |
| 4 | 50991A | RECEPTACLE-Duplex (Nema 5-15R) | 1 | (LR4400, LRE4400, LR5500 & LRE5500) |
| | 498031A | RECEPTACLE-Duplex (Nema 5-15R) | 1 | (LR4400/CSA & LRE4400/CSA) |
| | 498321A | RECEPTACLE-Duplex (Nema 5-20R) | 1 | (LR5500/CSA & LRE5500/CSA) |
| 5 | 46508 | RECEPTACLE-Locking (120V/240V) (Nema L14-20R) | 1 | |
| 6 | 49831A | BREAKER-Circuit (20 amp.) | 2 | (LR4400 & LRE4400) |
| | 02511 | BREAKER-Circuit (25 amp.) | 2 | (LR5500 & LRE5500) |
| | 01649A | BREAKER-Circuit (15 amp.) | 2 | (LR4400/CSA & LRE4400/CSA) |
| | 49831A | BREAKER-Circuit (20 amp.) | 2 | (LR5500/CSA & LRE5500/CSA) |
| 7 | 02435 | CLIP-Spring Cap | 1 | |
| 8 | 81002 | NUT-Hex (6-32) | 1 | |
| 9 | 02365 | BRUSH HOLDER | 1 | |
| | A03035 | BRUSH & RETAINER KIT | 1 | |
| 10 | 02857 | PIN | 1 | |
| 11 | 02664 | BRUSH | 2 | |
| 12 | A02860 | CAPACITOR (w/Lead) | 1 | |
| 13 | 95672 | RECTIFIER | 1 | |
| 14 | 02437 | WASHER-Shaft Retention | 4 | |
| 15 | 82526 | SCREW-Pan Hd. (6-19 X 3/4) | 2 | |
| 16 | 03044 | BEARING-Needle | 1 | |
| 17 | 4885306 | BOLT-Stator (4400 Watts) | 4 | |
| | 4885301 | BOLT-Stator (5500 Watts) | 4 | |
| 18 | 84124 | WASHER-Flat | 4 | |
| 19 | A02796AS | STATOR (4400 Watts) | 1 | |
| | A02795AS | STATOR (5500 Watts) | 1 | |
| 20 | 80083 | SCREW- Hex Hd. (5/16-18 X 3/4") | 2 | |
| 21 | 4885210 | BOLT-Rotor (4400 Watts) | 1 | |
| 21 | 4885707 | BOLT-Rotor (5500 Watts) | 1 | |
| 22 | 83002 | WASHER-Lock (5/16") | 1 | |
| 23 | A02799AS | ROTOR (4400 Watts) | 1 | |
| 23 | A02798AS | ROTOR (5500 Watts) | 1 | |
| 24 | A04013AS | FAN-Generator | 1 | |
| 25 | 82526 | SCREW-Pan Hd. (6-19 X 3/4") | 4 | |
| 26 | 020267 | END BELL | 1 | |
| 27 | 81267 | NUT-Hex (1/4-20) | 4 | |
| 28 | 80687 | SCREW-Hex Hd. (5/16-24 X 3/4") | 4 | |
| 29 | 83078 | WASHER-Lock | 4 | |
| 30 | 83033 | WASHER-Lock (int./ext.) | 4 | |
| 31 | 81162 | NUT-Hex (5/16-18) | 2 | |

| Ref # | Part # | Description | Qty | Context Note |
|--------------|---------------|------------------------------|------------|---------------------|
| 32 | 063781 | SUPPORT-Engine | 1 | |
| 33 | 82538 | SCREW-Taptite (10/24 X 3/4") | 1 | |
| 34 | 83121 | WASHER-Lock (int./ext.) | 2 | |
| 35 | 02438 | PLUG-Expansion | 1 | |

LR4400 C.A.R.B. Generator UT-03800 - Tanks & Handles



Rendered by LeadVenture, Inc.

| Ref # | Part # | Description | Qty | Context Note |
|--------------|---------------|----------------------------------|------------|---------------------|
| 1 | A06411 | ROLL CAGE | 1 | |
| 2 | 063831 | BRACE-Tank Support | 2 | |
| 3 | 064141 | SHIELD-Fuel Tank | 1 | |
| 4 | 96620 | SCREW-Torx (10-24 X 1/2") | 8 | |
| 5 | 81227 | NUT-Speed | 2 | |
| 6 | 80577 | SCREW-Pan Hd. (8-32 X 3/8") | 2 | |
| 7 | A06984 | FUEL TANK (3 Gal.) | 1 | |
| 8 | 04864 | CAP-Fuel (2 1/4" Dia.) | 1 | |
| 9 | 07565 | VALVE-Fuel | 1 | |
| 10 | 06644 | PAD-Fuel Tank | 4 | |
| 11 | 47222 | BUSHING | 1 | |
| 12 | 4958608 | HOSE-Fuel (8") | 1 | |
| 13 | 49587 | CLIP-Hose | 2 | |
| 14 | 80088 | SCREW-Hex Hd. (5/16-18 X 1 1/4") | 2 | |
| 15 | 83033 | WASHER-Flat (5/16) | 2 | |
| 16 | 83081 | WASHER-Lock (int.) | 2 | |
| 17 | 81162 | NUT-Hex (5/16-18) | 1 | |
| 18 | 81015 | NUT-Wing (5/16-18) | 1 | |
| 19 | 49367 | ISOLATOR | 4 | |
| 20 | 80288 | SCREW-Hex Hd. (5/16-18 X 1 3/4") | 2 | |
| 21 | 064121 | SUPPORT - ENG./GEN. | 2 | |
| 22 | A49399 | GROUND STRAP | 2 | |
| 23 | 84046 | WASHER-Flat | 2 | |