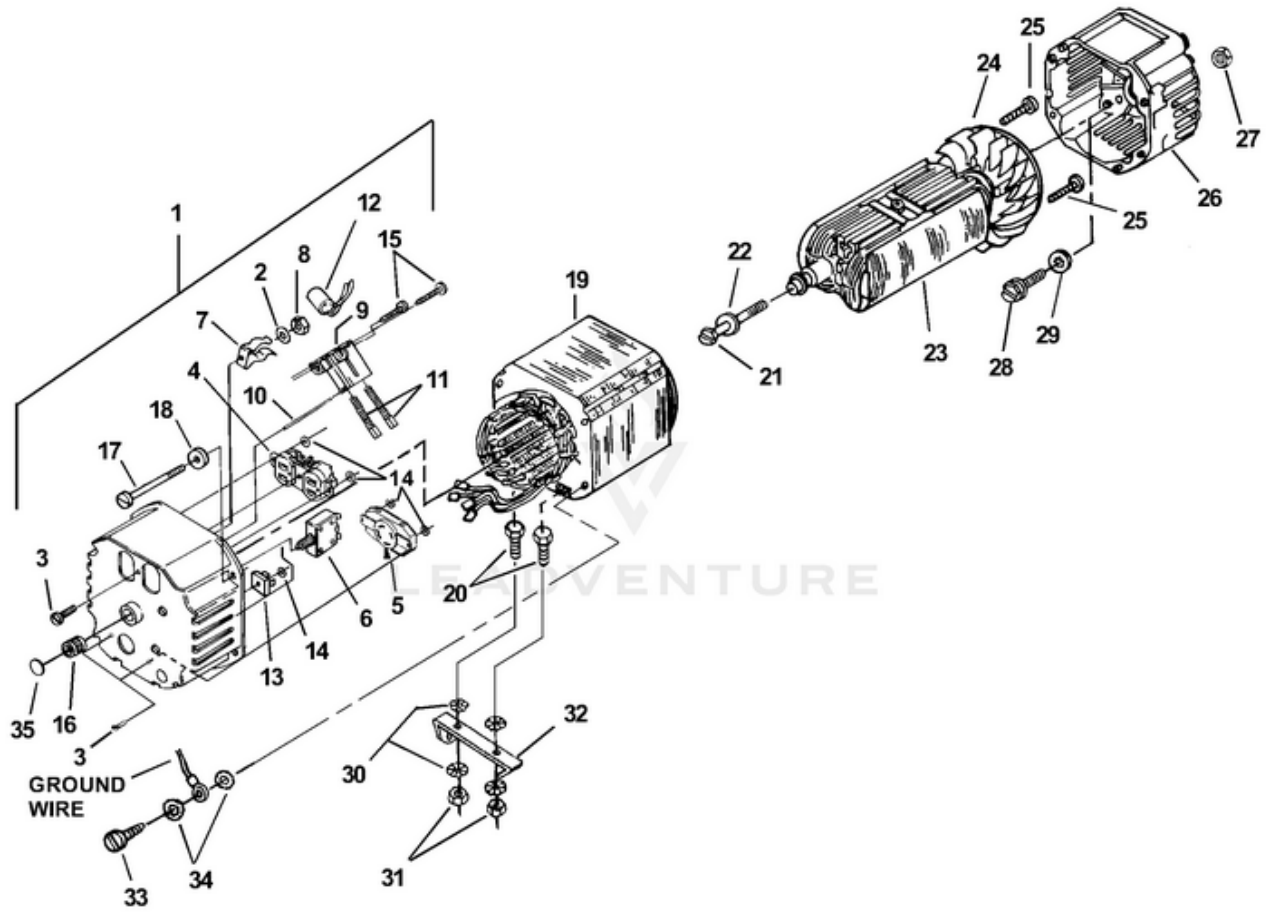


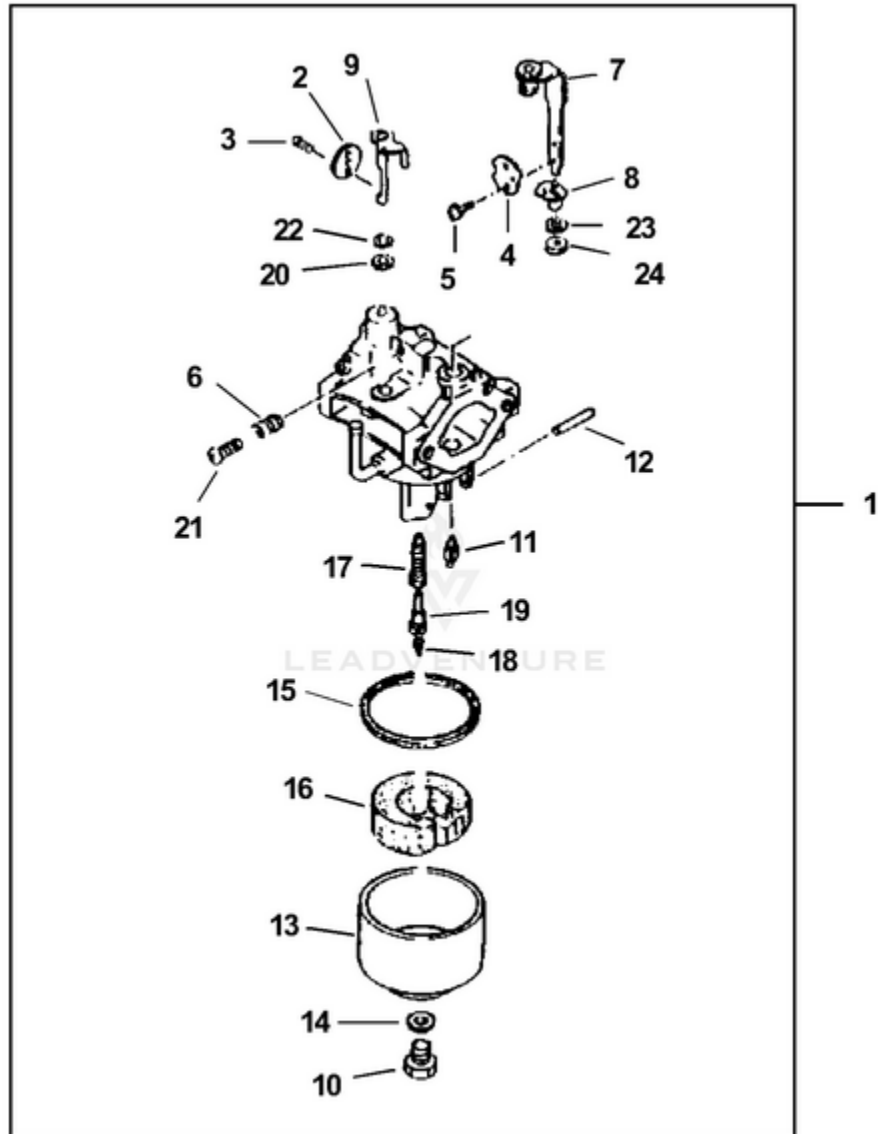
LR4300 Generator UT-03828 - Brush Head - Generator



Rendered by LeadVenture, Inc.

Ref #	Part #	Description	Qty	Context Note
1	A06923	Complete Brush Head	1	
2	83004	Washer-Lock (ext.)	1	
3	80630	Screw-Mach. Pan Hd. (6-32 X 1/2")	3	(Torque Specs 9-13 In/Lbs, 1.0-1.5 Nm)
4	49832	1A Receptacle-Duplex (Nema 5-20R)	1	
5	46508	Receptacle-Locking (120V/240V) (Nema L14-20R)	1	
6	09183	Breaker-Circuit (20 amp.)	2	
7	02435	Clip-Spring Cap	1	
8	81002	Nut-Hex (6-32)	1	
9	02365	Brush Holder	1	
	A03035	Brush & Retainer Kit	1	
10	02857	Pin	1	
11	02664	Brush	2	
12	A02860	Capacitor (w/Lead)	1	
13	95672	Rectifier	1	
14	02437	Washer-Shaft Retention	4	
15	82526	Screw-Pan Hd. (6-19 X 3/4)	2	(Torque Specs 12-16 In/Lbs, 1.4-1.8 Nm)
16	03044	Bearing-Needle	1	
17	4885306	Bolt - Stator	4	(Torque Specs 60-80 In/Lbs, 6.8-9.0 Nm)
18	84124	Washer-Flat	4	
19	A02796AS	Stator	1	(When ordering stator also order Decal Kit P/
			1	NAUP03372)
20	80083	Screw- Hex Hd. (5/16-18 X 3/4")	2	(Torque Specs 150-155 In/Lbs, 16.9-17.5 Nm)
21	4885210	Bolt-Rotor	1	(Torque Specs 100-140 In/Lbs, 11.3-15.8 Nm)
22	83002	Washer-Lock (5/16")	1	
23	A02799	AS Rotor	1	
24	A04013	Fan-Generator	1	
25	82526	Screw-Pan Hd. (6-19 X 3/4")	4	(Torque Specs 12-16 In/Lbs, 1.4-1.8 Nm)
26	020269	End Bell	1	
27	81267	Nut-Hex (1/4-20)	4	
28	80604	Screw-Hex Hd. (5/16-24 X 3/4")	4	(Torque Specs 120-150 In/Lbs, 13.6-16.9 Nm, Red 262 Loctite Required)
29	83078	Washer-Lock	4	
30	83033	Washer-Lock-3/8" (int./ext.)	4	
31	81162	Nut-Hex (5/16-18)	2	
32	063781	Support-Engine	1	
33	82538	Screw-Taptite (10/24 X 3/4")	1	(Torque Specs 45-55 IN/Lbs, 5.1-6.2 Nm)
34	83121	Washer-Lock (int./ext.)	2	
35	02438	Plug-Expansion	1	
	UP03372	Decal Kit		

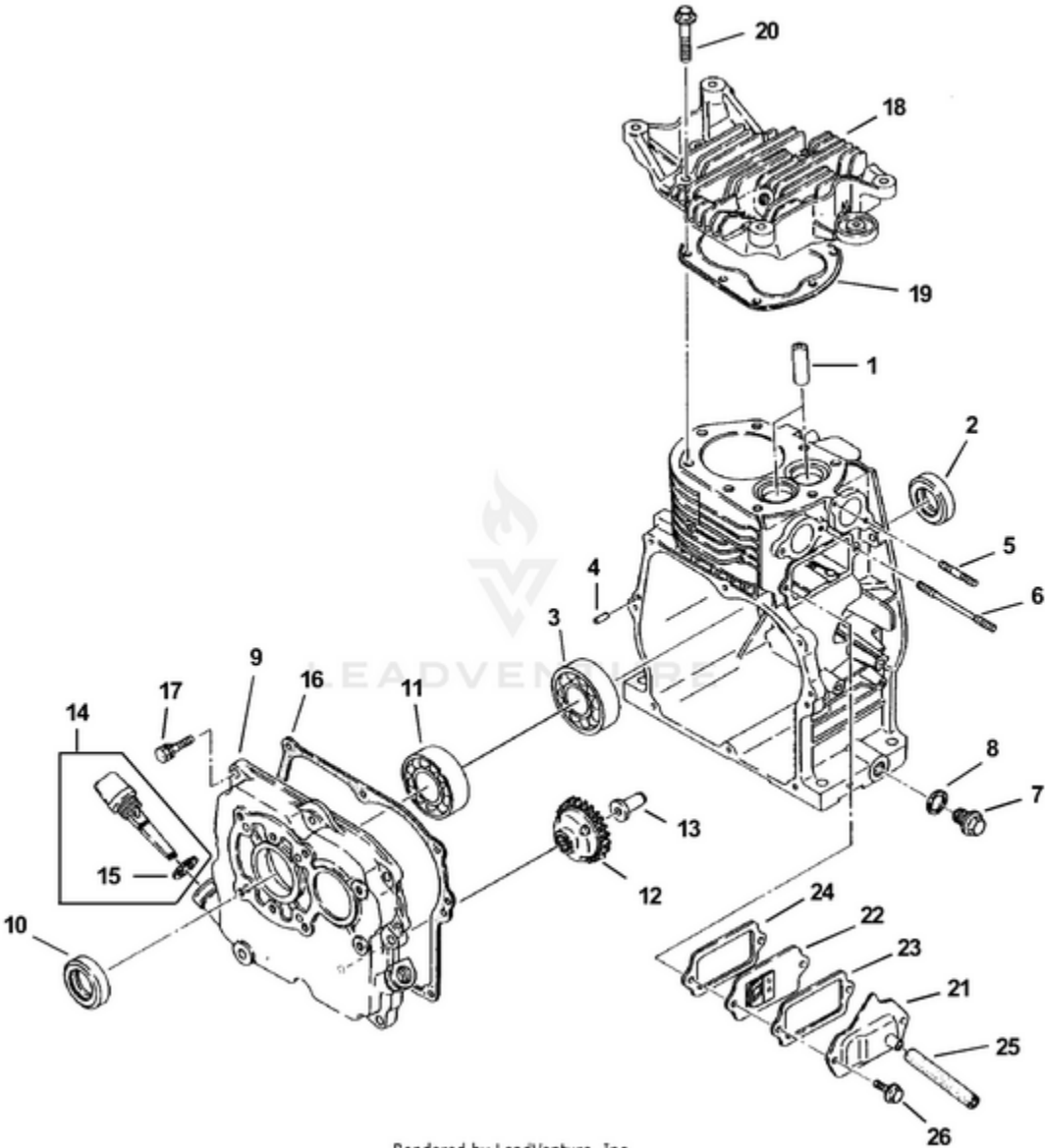
LR4300 Generator UT-03828 - Carburetor



Rendered by LeadVenture, Inc.

Ref #	Part #	Description	Qty	Context Note
1	UP03312	Carburetor	1	
2	UP03313	Throttle valve	1	
3	UP03314	Screw (M3 X 0.5 X 4L)	1	(Torque Specs 8-10 In/Lbs, 0.9-1.1 Nm)
4	UP03315	Choke valve	1	
5	UP03316	Screw (M2.5 X 0.45 X 4L)	2	(Torque Specs 5-7 In/Lbs, 0.6-0.8 Nm)
6	UP03318	Spring	2	
7	UP03319	Choke lever	1	
8	UP03320	Ring	1	
9	UP03321	Throttle shaft	1	
10	UP03322	Bolt (M8 X 1.25 X 7L)	1	(Torque Specs 51-65 In/Lbs, 5.8-7.3 Nm)
11	UP03324	Needle valve	1	
12	UP03325	Float pin	1	
13	UP03326	Float chamber body	1	
14	UP03327	Washer	1	
15	UP03328	Chamber packing	1	
16	UP03329	Float	1	
17	UP03330	Main nozzle	1	
18	UP03342	Main jet		
19	UP03331	Pipe	1	
20	UP03333	Seal	1	
21	UP03334	Screw-Mixture	1	
22	UP03335	Packing	1	
23	UP03336	Choke cap	1	
24	UP03337	Seal	1	

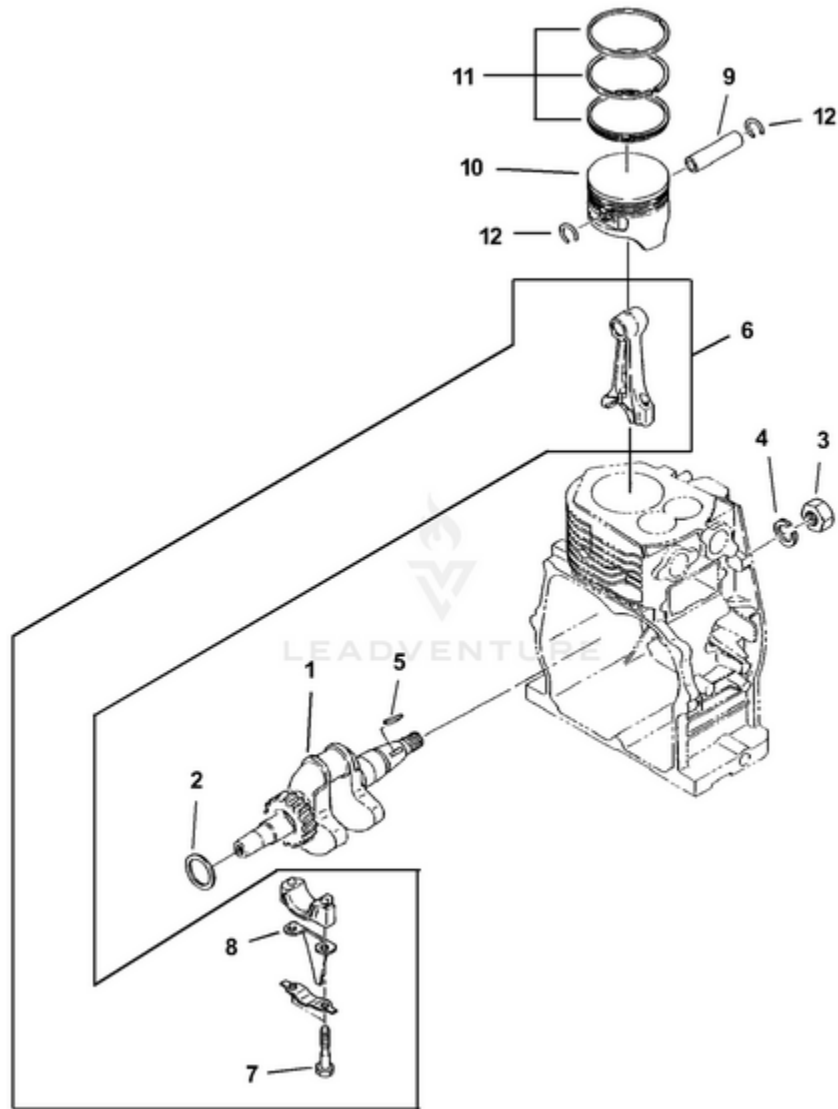
LR4300 Generator UT-03828 - Crankcase



Rendered by LeadVenture, Inc.

Ref #	Part #	Description	Qty	Context Note
1	UP03217	Valve guide	2	
2	UP03218	Oil seal	1	
3	UP03219	Ball bearing	1	
4	UP03220	Dowel pin	2	
5	UP03221	Stud (M8 x 1.25 x 30L)	2	
6	UP03222	Stud (M6 x 1.0 x 88L)	2	
7	UP03223	Plug	2	
8	UP03224	Gasket	2	
9	UP03225	Main bearing cover	1	
10	UP03218	Oil seal	1	
11	UP03219	Ball bearing	1	
12	UP03228	Governor gear cp	1	
13	UP03229	Governor sleeve	1	
14	UP03230	Oil gauge & gasket set	1	
15	UP03231	Gasket	2	
16	UP03232	Bearing cover gasket	1	
17	UP03233	Bolt & washer (M8 x 1.25 x 28L)	8	(Torque Specs 122-137 In/Lbs, 13.8-15.5 Nm)
18	UP03234	Cylinder head	1	
19	UP03235	Head gasket	1	
20	UP03236	Flange bolt	8	(Torque Specs 159-188 In/Lbs, 18.0-21.2 Nm)
21	UP03237	Tappet cover	1	
22	UP03238	Breather plate	1	
23	UP03239	Tappet cover gasket	1	
24	UP03240	Breather plate gasket	1	
25	UP03241	Rubber pipe	1	
26	UP03242	Flange bolt (M8 X 1.25 X 40L)	2	(Torque Specs 22-36 In/Lbs, 2.5-4.1 Nm)
	UP03243	Gasket set		
	UP03374	Complete engine		

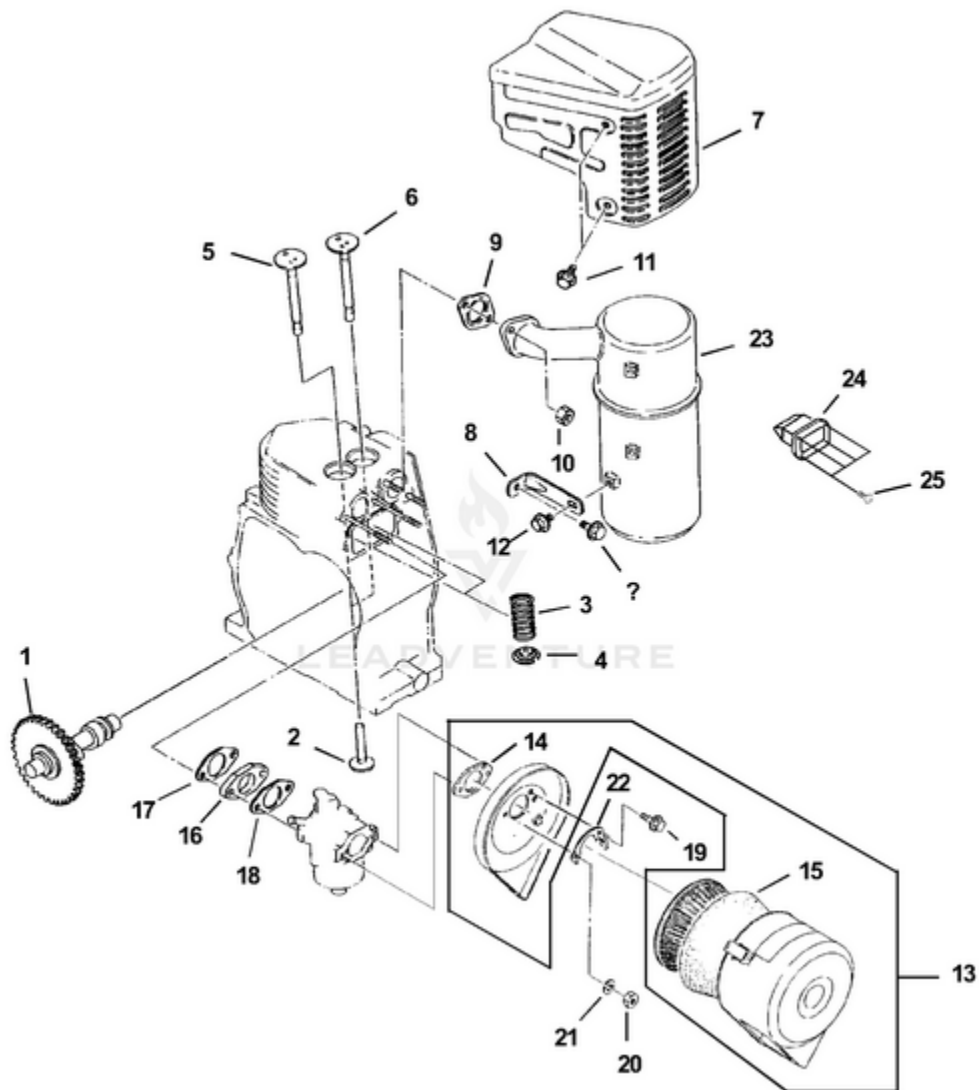
LR4300 Generator UT-03828 - Crankshaft -Piston



Rendered by LeadVenture, Inc.

Ref #	Part #	Description	Qty	Context Note
1	UP03244	Crankshaft	1	
2	UP03246	Spacer (.6)	1	
	UP03247	Spacer (.8)	1	
	UP03248	Spacer (1.0)	1	
3	UP03249	Nut (M18 X 1.5)	1	(Torque Specs 434-470 In/Lbs, 49.0-53.1 Nm)
4	UP03250	Spring washer	1	
5	UP03251	Woodruff key	1	
6	UP03252	Connecting rod	1	
	UP03253	Connecting rod (.5)	1	
7	UP03254	Connecting rod bolt (M7 X 1.0 X 38L)	2	(Torque Specs 122-145 In/Lbs, 13.8-16.4 Nm)
8	UP03255	Oil scraper	1	
9	UP03256	Piston pin	1	
10	UP03257	Piston	1	
	UP03258	Piston (.25)	1	
	UP03259	Piston (.5)	1	
11	UP03260	Piston ring set (std)	1	
	UP03261	Piston ring set (.25)	1	
	UP03262	Piston ring set (.5)	1	
12	UP03263	Clip	2	
	UP03243	Gasket set		
	UP03374	Complete engine		

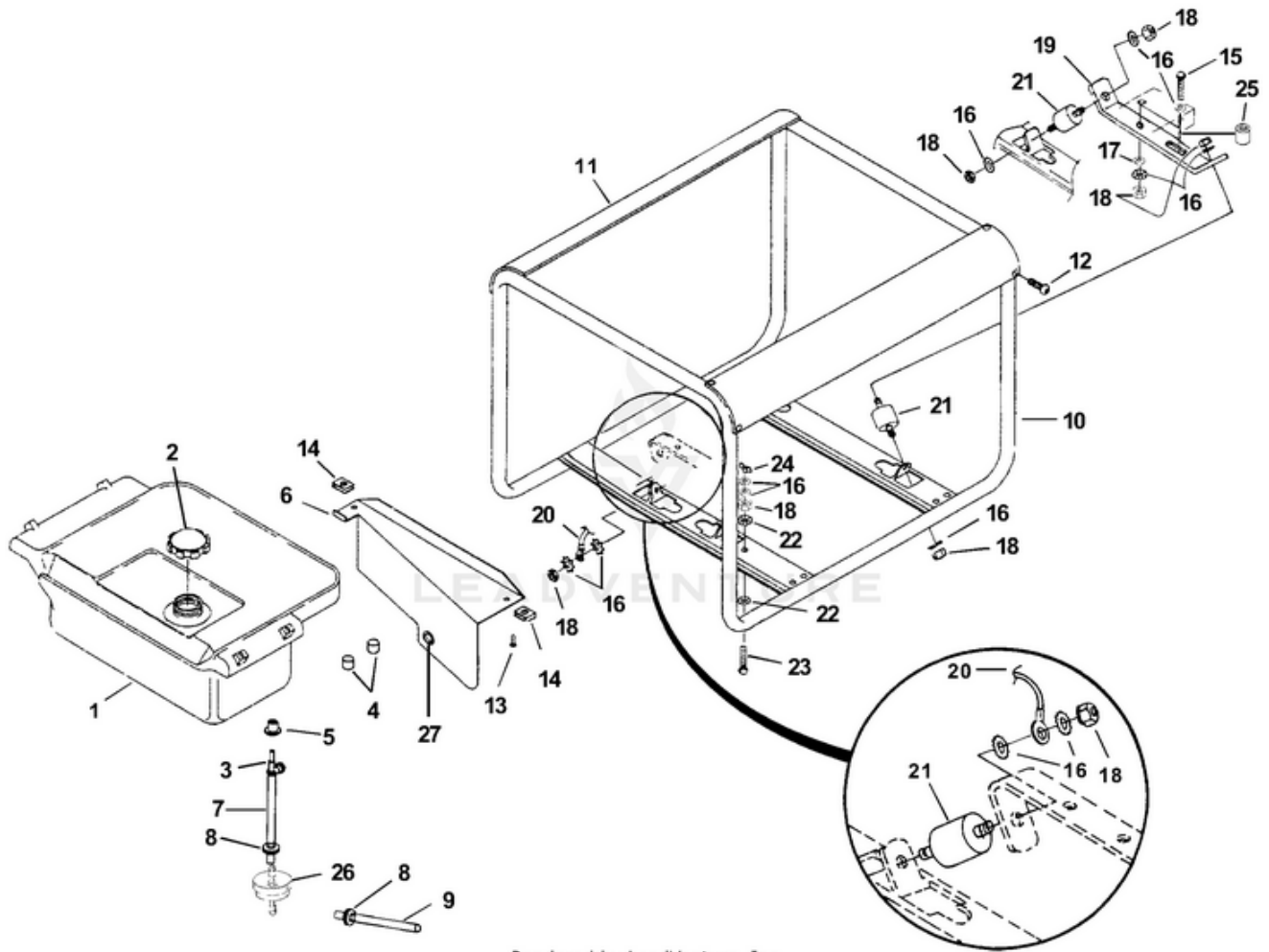
LR4300 Generator UT-03828 - Exhaust



Rendered by LeadVenture, Inc.

Ref #	Part #	Description	Qty	Context Note
1	UP03264	Camshaft	1	
2	UP03265	Tappet	2	
3	UP03266	Valve spring	2	
4	UP03267	Spring retainer	2	
5	UP03268	Intake valve	1	
6	UP03269	Exhaust valve	1	
7	UP03270	Muffler cover	1	
8	UP03271	Muffler bracket	1	
9	UP03272	Muffler gasket	1	
10	UP03273	Nut (M8 X 1.25)	2	(Torque Specs 120-140 In/Lbs, 13.6-15.8 Nm)
11	UP03274	Flange bolt (M6 X 1.0 X 8L)	1	(Torque Specs 51-65 In/Lbs, 5.8-7.3 Nm)
12	UP03242	Flange bolt (M6 X 1.0 X 12L)	1	(Torque Specs 51-65 In/Lbs, 5.8-7.3 Nm)
13	UP03276	Air filter assy	1	
14	UP03277	Gasket air filter	1	
15	UP03278	Air filter	1	
16	UP03279	Insulator	1	
17	UP03280	Insulator gasket	1	
18	UP03281	Insulator gasket	1	
19	UP03282	Bolt & washer (M6 X 1.0 X 12L)	1	(Torque Specs 51-65 In/Lbs, 5.8-7.3 Nm)
20	UP03283	Nut (M6 X 1.0)	2	(Torque Specs 51-65 In/Lbs, 5.8-7.3 Nm)
21	PS00503	Spring washer	2	
22	UP03284	Lock washer	1	
23	UP03285	Muffler	1	
24	UP03286	Spark Arrestor	1	
25	UP03287	Screw, Tapping (M4 X 0.7 X 8L)	4	(Torque Specs 9.4-16.6 In/Lbs, 1.1-1.9 Nm)

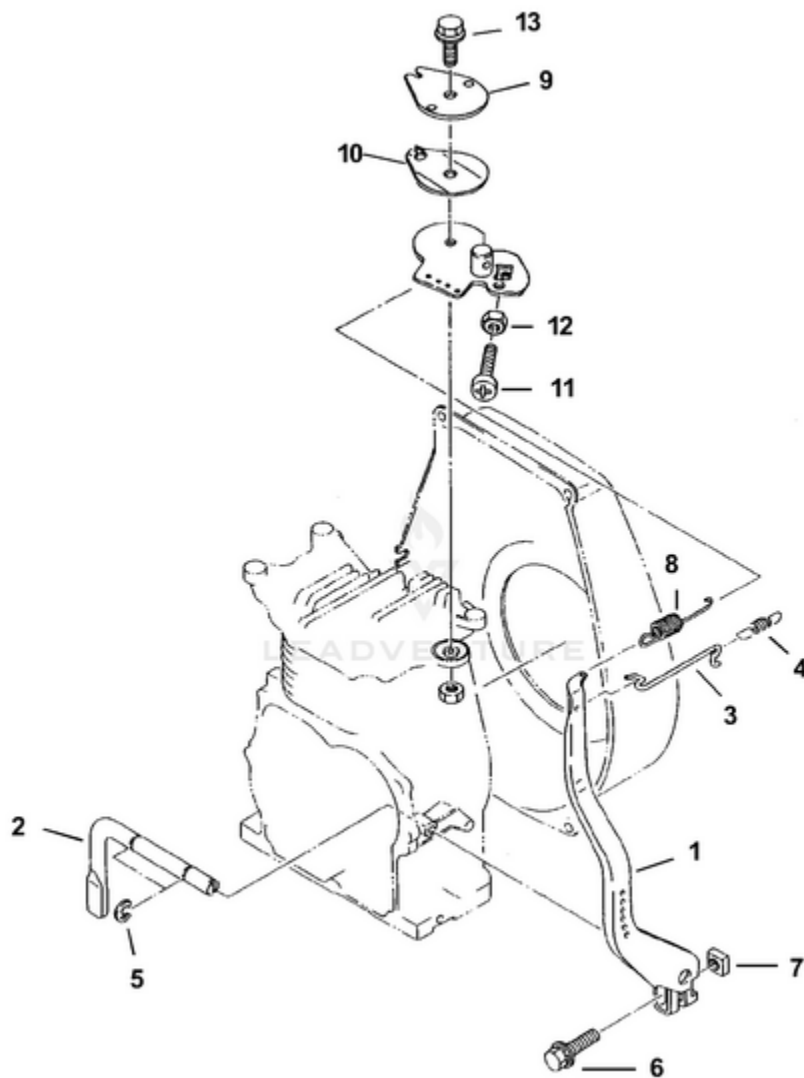
LR4300 Generator UT-03828 - Frame - Fuel Tank



Rendered by LeadVenture, Inc.

Ref #	Part #	Description	Qty	Context Note
1	UP03373	Fuel Tank (5 Gal.)	1	
2	04864	Fuel Cap (2 1/4" dia.)	1	
3	07565	Valve-Fuel	1	
4	06644	Pad-Fuel Tank	4	
5	47222	Bushing	1	
6	063881	Shield-Fuel Tank	1	
7	4958608	Fuel Line	1	
8	49587	Clip-Hose	4	
9	A49306	Fuel Line to Engine	1	
10	UP03376	Roll Cage	1	
11	UP03377	Brace-Tank Support	2	
12	96620	Screw-Torx (10-24 X 1/2")	8	(Torque Specs 25-35 In/Lbs, 2.8-4.0 Nm)
13	80577	Screw-Pan Hd. (8-32 X 3/8")	2	(Torque Specs 8-12 In/Lbs, .9-1.4 Nm)
14	81227	Nut-Hi Speed	2	
15	80268	Screw-Hex Hd. (5/16-18 X 2 1/4")	4	(Torque Specs 145-155 In/Lbs, 16.4-17.5 Nm)
16	83081	Washer-Lock (int.)	16	
17	84046	Washer-Flat	1	
18	81162	Nut-Hex (5/16-18)	15	(Torque Specs 145-155 In/Lbs, 16.4-17.5 Nm)
19	49265	Support-Engine	1	
20	A49399	Ground Strap	2	
21	49367	Isolator	4	
22	83033	Washer-Lock-3/8" (ext./int.)	2	
23	80088	Screw-Hex Hd. (5/16-18 X 1 1/2")	1	(Torque Specs 145-155 In/Lbs, 16.4-17.5 Nm)
24	81015	Nut-Wing	1	
25	UP03375	Spacer	2	
26	UP03697	Fuel Filter	1	
27	04818	Bushing Snap-In	1	
28	UP03372	Decal Kit		

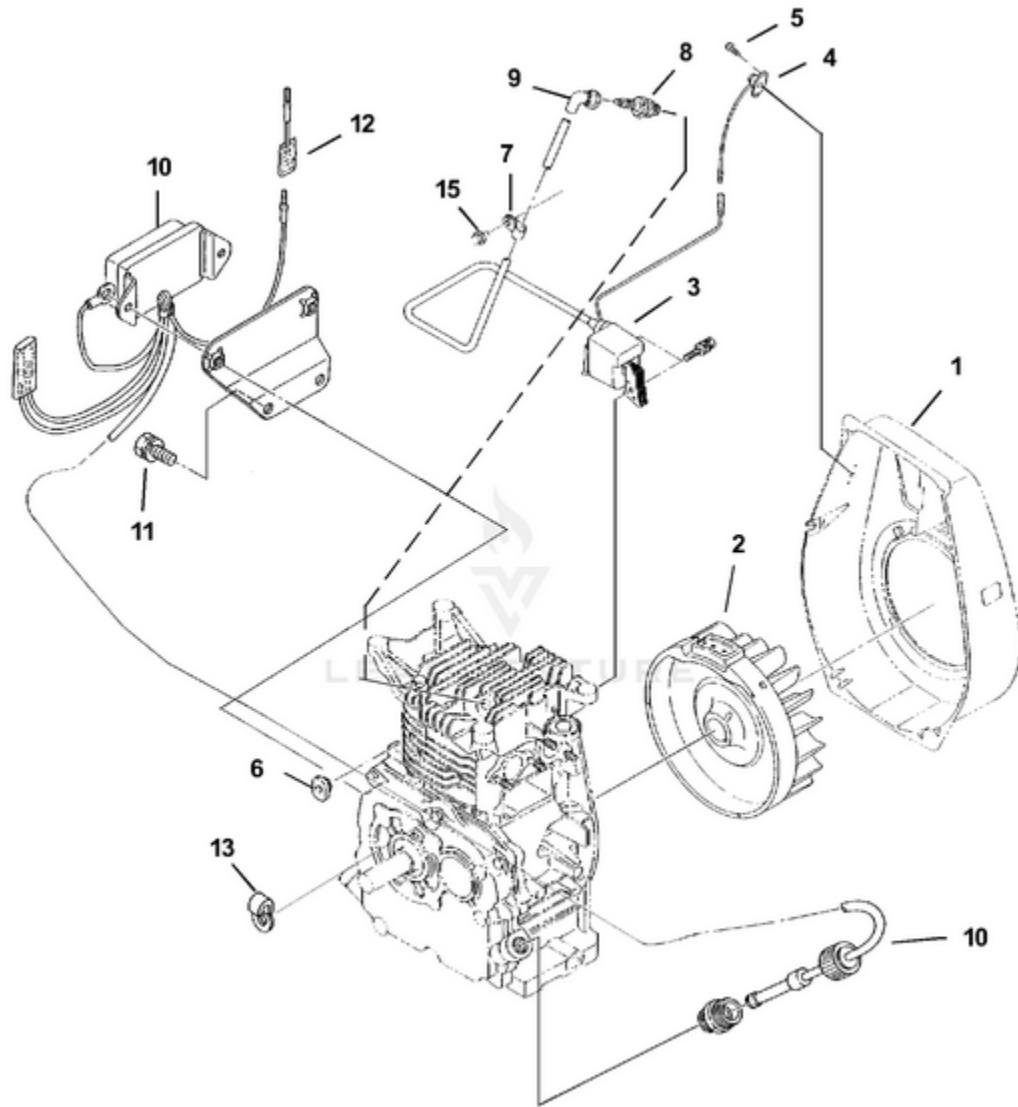
LR4300 Generator UT-03828 - Governor



Rendered by LeadVenture, Inc.

Ref #	Part #	Description	Qty	Context Note
1	UP03288	Governor lever	1	
2	UP03289	Governor shaft	1	
3	UP03290	Governor rod	1	
4	UP03291	Rod spring	1	
5	UP03292	Clip	2	
6	UP03293	Bolt & washer (M6 X 1.0 X 25L)	1	(Torque Specs 65-80 In/Lbs, 7.3-9.0 Nm)
7	UP03294	Nut (M6 X 1.0)	1	
8	UP03295	Governor spring	1	
9	UP03296	Stop plate	1	
10	UP03297	Spring washer	1	
11	UP03298	Screw	1	
12	UP03299	Nut (M6 X 1.0)	1	
13	UP03300	Flange bolt (M6 X 1.0 X 14L)	1	(Torque Specs 51-65 In/Lbs, 5.8-7.3 Nm)

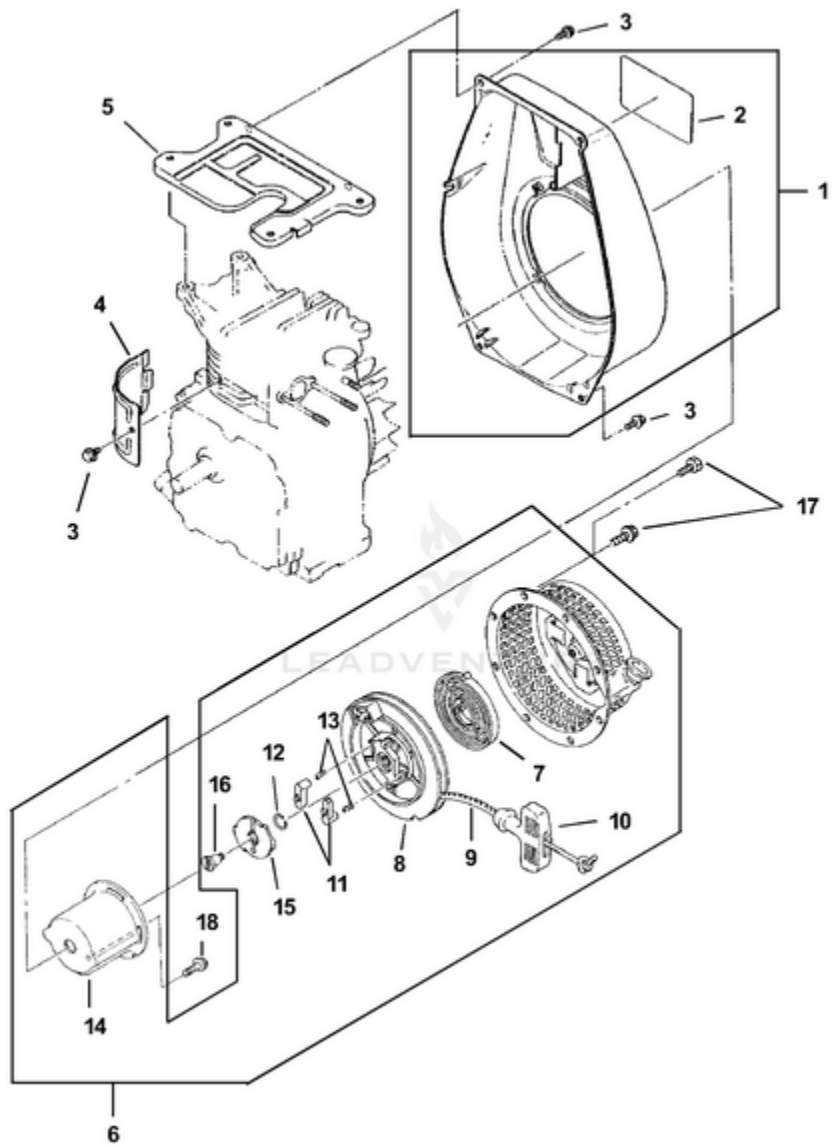
LR4300 Generator UT-03828 - Ignition



Rendered by LeadVenture, Inc.

Ref #	Part #	Description	Qty	Context Note
1	UP03301	Blower housing	1	
2	UP03344	Flywheel	1	
3	UP03345	Ignition coil	1	
4	UP03346	Switch	1	
5	UP03347	Tapping screw (M4 X 0.7 X 8L)	2	(Torque Specs 10-15 In/Lbs, 1.1-1.7 Nm)
6	UP03348	Grommet	1	
7	UP03349	Clamp	1	
8	UP03350	Spark plug	1	(Torque Specs 166-195 In/Lbs, 18.8-22.0 Nm)
9	UP03351	Spark plug cap	1	
10	UP03352	Oil sensor	1	
11	UP03353	Bolt & Washer (M8 X 1.25 X 16L)	1	(Torque Specs 122-137 In/Lbs, 13.8-15.5 Nm)
12	UP03354	Wire	1	
13	UP03355	Clamp	1	
14	UP03356	Plug terminal	1	
15	UP03303	Flange Bolt	1	

LR4300 Generator UT-03828 - Starter



Rendered by LeadVenture, Inc.

Ref #	Part #	Description	Qty	Context Note
1	UP03301	Blower housing	1	
2	UP03302	Label (trademark)	1	
3	UP03242	Flange bolt (M6 X 1.0 X 12L)	5	(Torque Specs 51-65 In/Lbs, 5.8-7.3 Nm)
4	UP03304	Cylinder baffle	1	
5	UP03305	Head cover	1	
6	UP03306	Starter assy	1	
7	UP03307	Spring rewind	1	
8	UP03308	Reel	1	
9	0827410	Starter rope	1	
10	A69962B	Starter knob	1	
11	0827404	Ratchet	2	
12	0827406	Friction spring	1	
13	0827407	Return spring	2	
14	UP03309	Starter cup	1	
15	0827408	Ratchet guide	1	
16	0827409	Set screw (M6 X 1.0 X 14L)	1	(Torque Specs 40-45 In/Lbs, 4.5-5.1 Nm)
17	UP03274	Flange bolt (M6 X 1.0 X 8L)	4	(Torque Specs 51-65 In/Lbs, 5.8-7.3 Nm)
18	UP03300	Flange bolt (M6 X 1.0 X 14L)	1	(Torque Specs 51-65 In/Lbs, 5.8-7.3 Nm)