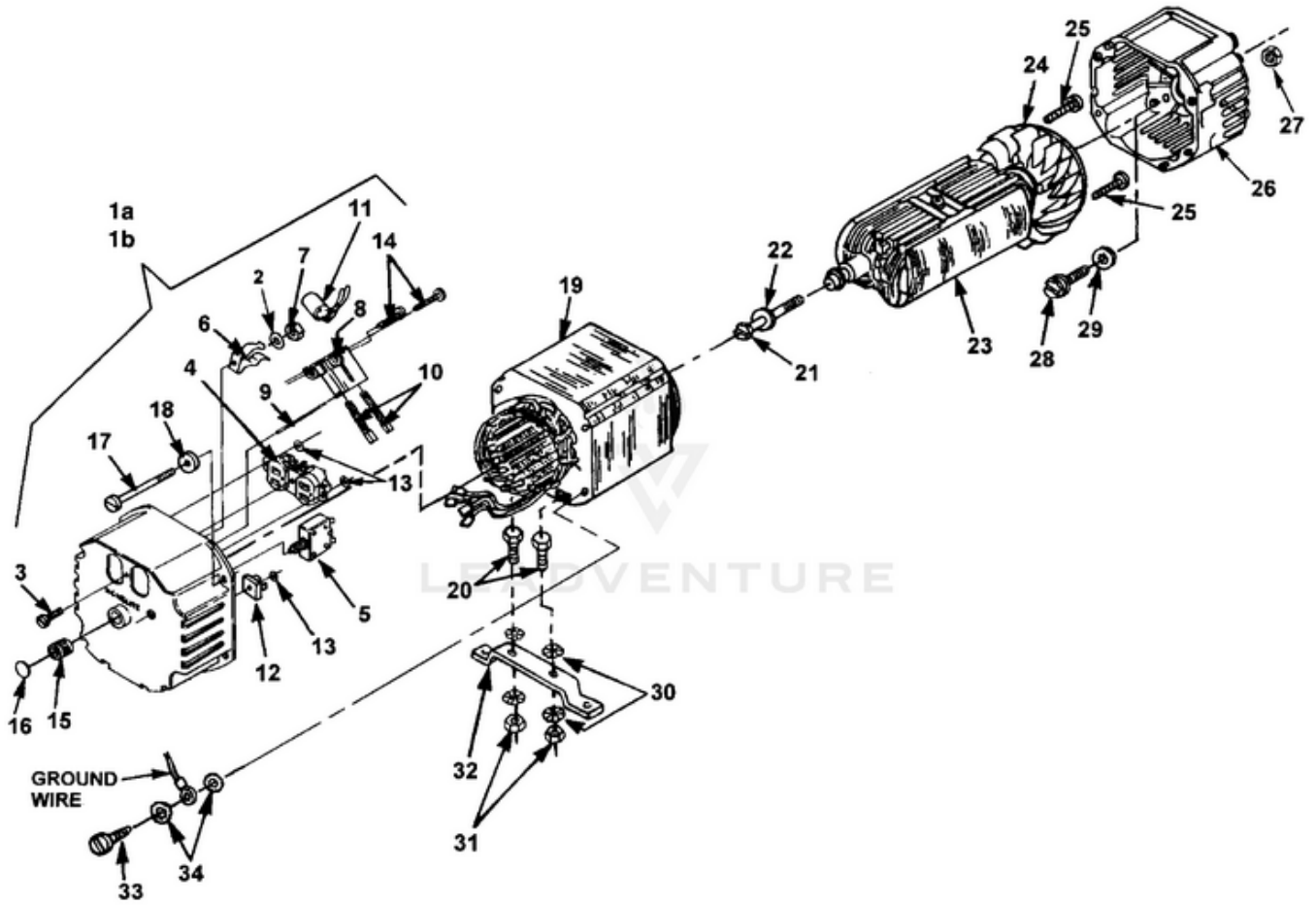


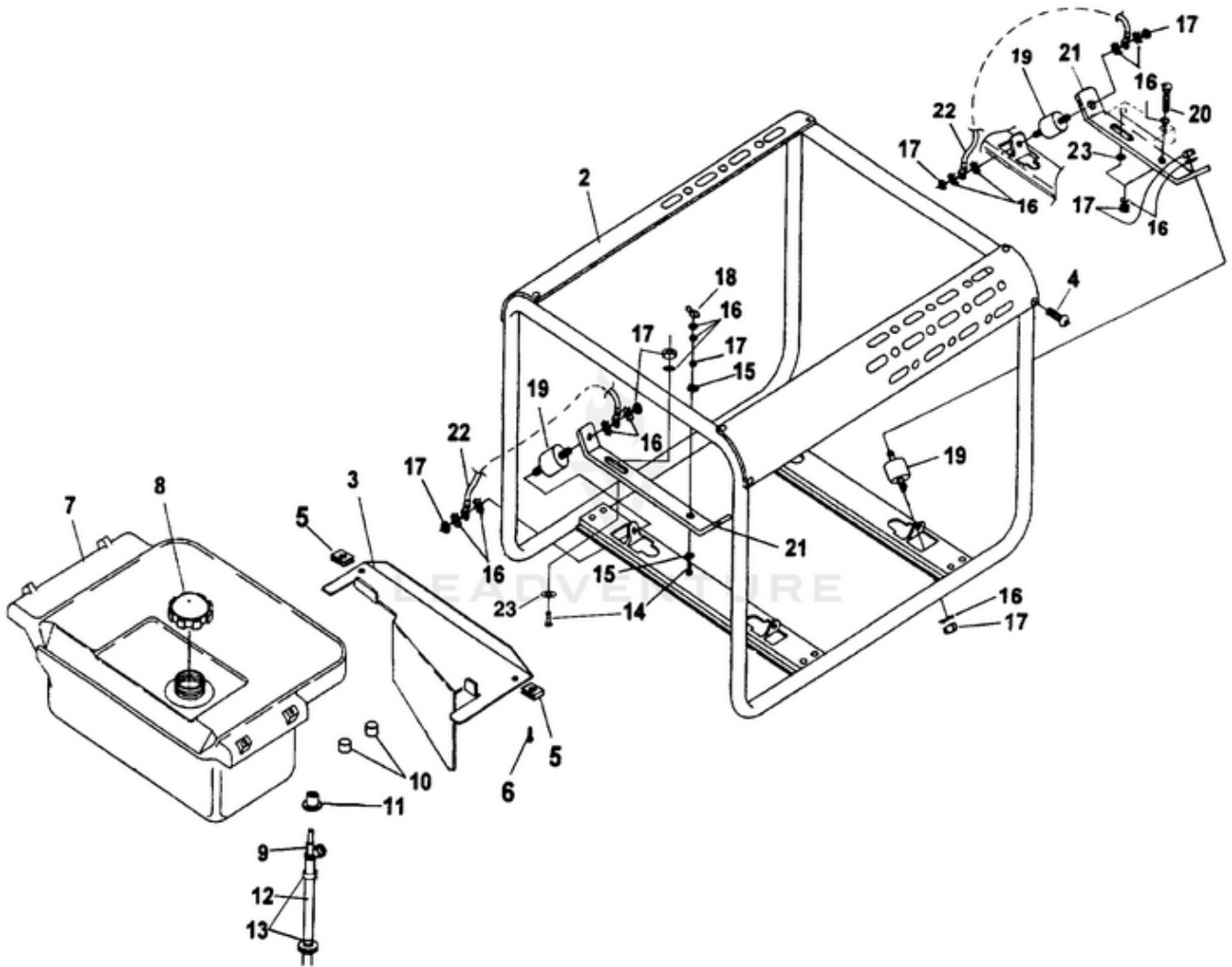
LR2500 Generator UT-03773 - Generator End



Rendered by LeadVenture, Inc.

Ref #	Part #	Description	Qty	Context	Note
1A	A02439A	COMPLETE BRUSH HEAD	1		
1B	A03294	COMPLETE BRUSH HEAD (CSA)	1		
2	83119	WASHER-Lock (ext.)	1		
3	80630	SCREW-Mach. Pan Hd. (6-32 X 1/2")	1		
4	50991A	RECEPTACLE-Duplex (Nema 5-15R)	1		
	49803A	RECEPTACLE (Nema 5-20R) (CSA)	2		
5	49831A	BREAKER-Circuit (20 amp.)	1		
	01649A	BREAKER-Circuit (15 amp.) (CSA)	1		
6	02435	CLIP-Spring Cap	1		
7	81002	NUT-Hex (6-32)	2		
8	02365	BRUSH HOLDER	1		
	A03035	BRUSH & RETAINER KIT	1		
9	02857	PIN	1		
10	02664	BRUSH	2		
11	A02860	CAPACITOR (w/Lead)	1		
12	95672	RECTIFIER	1		
13	02437	WASHER-Shaft Retention	3		
14	82526	SCREW-Pan Hd. (6-19 X 3/4)	2		
15	03044	BEARING-Needle	1		
16	02438	PLUG-Expansion	1		
17	4885305	BOLT-Stator	4		
18	84124	WASHER-Flat (1/4")	4		
19	A02797AS	STATOR	1		
20	80083	SCREW-Hex Hd. (5/16-18 X 3/4")	2		
21	4885211	BOLT-Rotor	1		
22	83002	WASHER-Lock (5/16")	1		
23	A02800AS	ROTOR	1		
24	A04013	FAN-Generator	1		
25	82526	SCREW-Pan Hd. (6-19 X 3/4")	4		
26	020267	END BELL	1		
27	81267	NUT-Hex (1/4-20)	4		
28	80604	SCREW-Hex Hd. (5/16-24 X 3/4")	4		
29	83081	WASHER-Lock	4		
30	83033	WASHER-Lock (int./ext.)	4		
31	81162	NUT-Hex (5/16-18)	2		
32	028441	BRACKET-Generator Support	1		
33	82538	SCREW-Taptite (10/24 X 3/4")	1		
34	83121	WASHER-Lock (int./ext.)	2		

LR2500 Generator UT-03773 - Tanks & Handles



Rendered by LeadVenture, Inc.

Ref #	Part #	Description	Qty	Context Note
1	A06411	ROLL CAGE	1	
2	063831	BRACE-Tank Support	2	
3	064141	SHIELD-Fuel Tank	1	
4	96620	SCREW-Torx (10-24 X 1/2")	8	
5	81227	NUT-Speed	2	
6	80577	SCREW-Pan Hd. (8-32 X 3/8")	2	
7	A06984	FUEL TANK (3 Gal.)	1	
8	04864	CAP-Fuel (2 1/4" Dia.)	1	
9	07565	VALVE-Fuel	1	
10	06644	PAD-Fuel Tank	4	
11	47222	BUSHING	1	
12	4958608	HOSE-Fuel (8")	1	
13	49587	CLIP-Hose	2	
14	80088	SCREW-Hex Hd. (5/16-18 X 1 1/4")	2	
15	83033	WASHER-Flat (5/16)	2	
16	83081	WASHER-Lock (int.)	2	
17	81162	NUT-Hex (5/16-18)	1	
18	81015	NUT-Wing (5/16-18)	1	
19	49367	ISOLATOR	4	
20	80288	SCREW-Hex Hd. (5/16-18 X 1 3/4")	2	
21	064121	SUPPORT - ENG./GEN.	2	
22	A49399	GROUND STRAP	2	
23	84046	WASHER-Flat	2	