



**BOSCH**

# Laser detector

LR20 | 3 601 K69 L10

---

## Table of Content

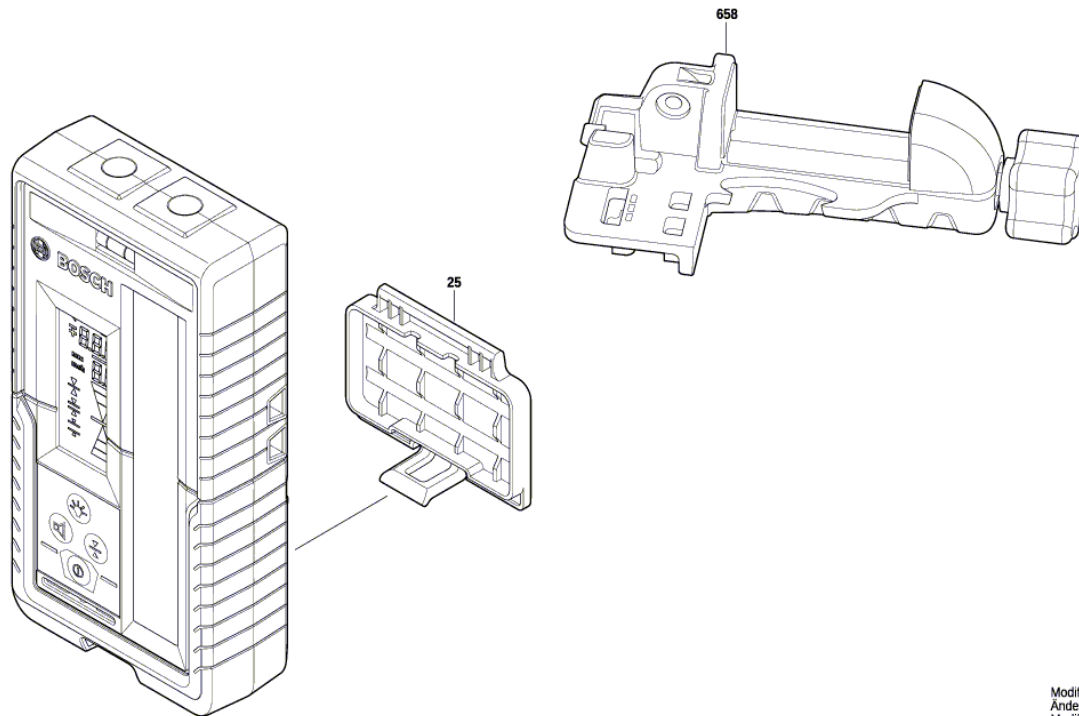
Spare parts list.....	2
Illustration - Type.....	3

**Spare parts list**

<b>Item</b>	<b>Part Number</b>	<b>Description</b>	<b>Illustration</b>
25	2 609 101 735	Battery Cover	1
658	1 600 A00 FD1	Clamp Bracket	1

Illustration - Type - E

3 601 K69 L10  
Issue |  
Stand | 21-05-06 **Fig./Abb. 1**



Modifications reserved  
Änderungen vorbehalten  
Modifications réservées  
Salvo modificaciones