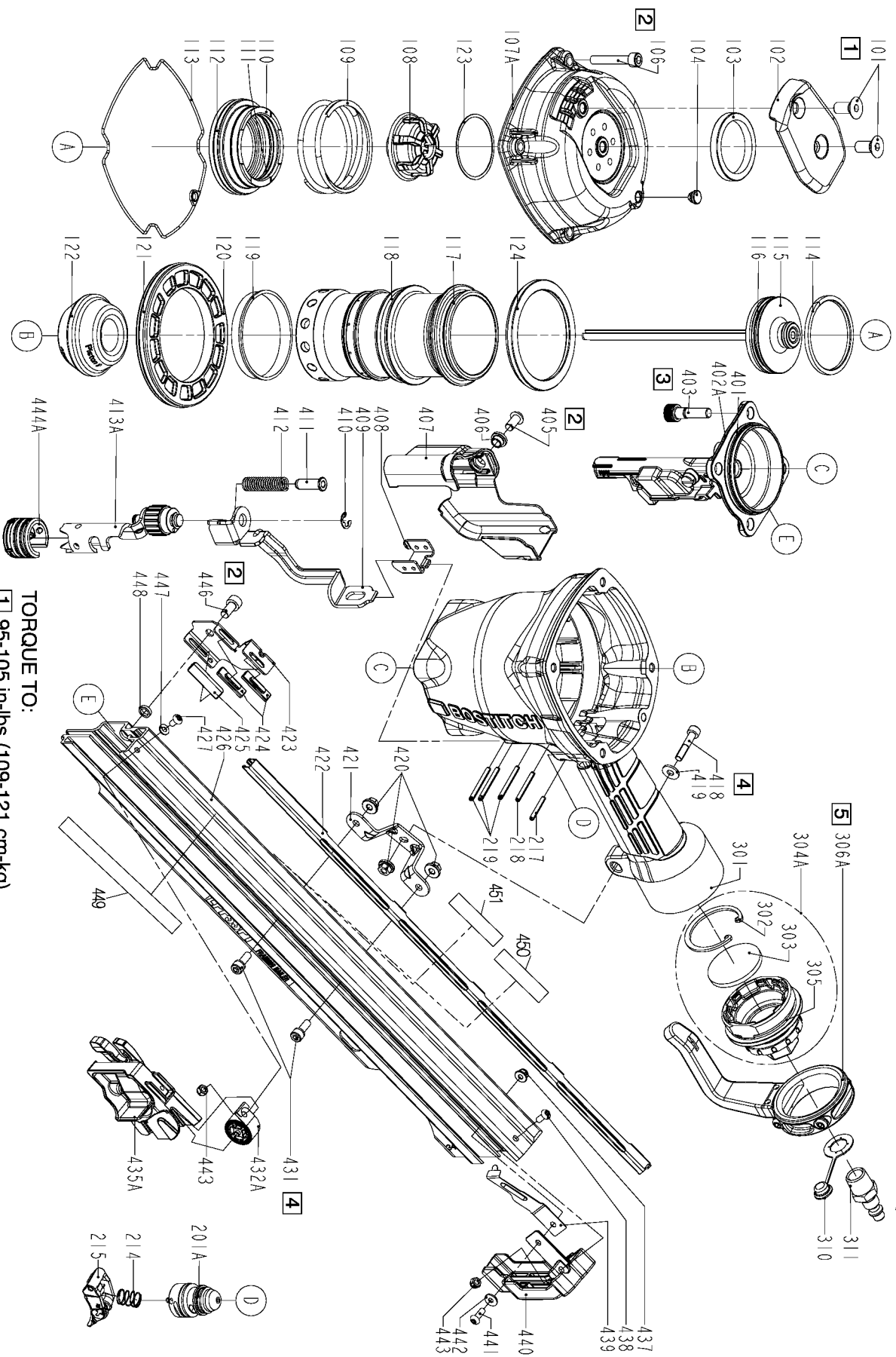


LPF33PT

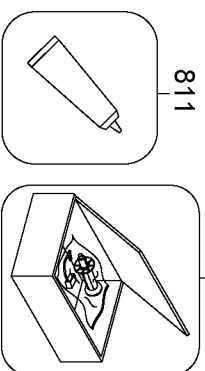
PNEUMATIC STICK NAILER
 CLAVADORA NEUMÁTICA ALIMENTADA POR BARRA
 CLOUEUR PNEUMATIQUE EN BANDES



TORQUE TO:

- 1 95-105 in-lbs (109-121 cm-kg)
- 2 125-140 in-lbs (144-161 cm-kg)
- 3 300-330 in-lbs (346-380 cm-kg)
- 4 60-70 in-lbs (69-81 cm-kg)
- 5 330-350 in-lbs (380-403 cm-kg)

IP1363-1RA 011112
 TO BE USED WITH PARTS LIST IP1363-2 AND OPERATION AND MAINTENANCE MANUAL 9R189680.
 PARA SER USADO CON LA LISTA DE REPUUESTOS IP1363-2 Y EL MANUAL DE OPERACION Y MANTENIMIENTO 9R189680.
 A UTILISER AVEC LA LISTE DES PIÉCES IP1363-2 ET LE MANUEL DE FONCTIONNEMENT ET D'ENTRETIEN 9R189680.



811

876

Parts List for LPF33PT Type 0

Item Number	Part Number	Description	Qty Required
101	9R189698	SCREW	2
102	9R189681	DEFLECTOR	1
103	9R189682	MUFFLER	1
104	1135S-0350001	GROMMET	1
106	MSC6100-35	SCREW-SHCS-M6X1.00X3	4
107	9R189683	CAP ASSY.	1
108	9R189685	PISTON STOP	1
109	9R189686	COMPRESSION SPRING	1
110	9R189687	HEAD VALVE PISTON	1
111	9R189706	O-RING	1
112	9R189688	O-RING	1
113	9R189689	CAP SEAL	1
114	9R189690	PISTON RING	1
115	9R206616	DRIVER/PISTON ASSY	1
116	850242	O-RING-1.799X.103	1
117	9R189692	CYLINDER	1
118	9R189693	O-RING	1
119	9R189694	CHECK SEAL	1
120	9R189695	CYLINDER RING	1
121	9R189696	O-RING	1
122	9R198699	BUMPER	1
123	9R198698	PISTON STOP RING	1
124	9R189701	CYLINDER RETAINER	1
201	TVA6	KIT-TRIGGER VALVE	1
214	9R189902	SPRING	1
215	9R189916	TRIGGER UNIT	1
217	174303	PIN-COILED-M3X22	1

Parts List for LPF33PT Type 0

Item Number	Part Number	Description	Qty Required
218	174345	PIN SPRING	1
219	106058	PIN-SPRING-M3X32	3
301	9R189703	FRAME	1
302	9R189704	RETAINING RING	1
303	9R189705	FILTER	1
304	9R189707	END CAP ASSY	1
305	MRG044331	O-RING-1.748X.122	1
306	9R189708	HOOK	1
310	166054	CAP-QUICK CONNECTOR	1
311	IP-14M	INDUST.PLUG 1/4IN MP	1
311	IP-14M	INDUST.PLUG 1/4IN MP	1
401	9R189709	O-RING	1
402	9R198700	NOSE ASSEMBLY	1
403	9R189711	SCREW	4
405	MSB6100-12	SCREW-SBHCS-M6X1.00X	1
406	9R189712	BUSHING	1
407	9R198701	COVER-CONTACT ARM	1
408	9R189714	CONTACT ARM GUIDE	1
409	9R198702	UPPER CONTACT ARM	1
410	9R189716	RETAINING RING	1
411	9R189717	BUSHING	1
412	9R198703	COMPRESSION SPRING	1
413	9R198704	CONTACT ARM ASSY.	1
418	9R189720	SCREW	1
419	9R189939	FLAT WASHER	1
420	MHE5080-100	NUT-NYLON M5X.80	3
421	9R198705	MAGAZINE BRACKET	1

Parts List for LPF33PT Type 0

Item Number	Part Number	Description	Qty Required
422	9R198706	LINER- NAIL GUIDE	1
423	9R198707	ISOLATING BRACKET	1
424	9R189725	RUBBER PAD	1
425	9R189726	RUBBER PAD	1
426	9R198712	MAGAZINE	1
427	9R189684	SCREW	1
431	MSC5080-16	SCREW-SHCS-M5X0.80X1	2
432	9R189730	PUSHER SPRING	1
435	9R198708	PUSHER ASSEMBLY	1
437	9R189731	FLANGE NUT	1
438	MSB4070-10	SCREW-SBHCS-M4X0.70X	1
439	9R198709	NAIL STOP PLATE	1
440	9R198710	MAGAZINE CAP	1
441	9R189734	SCREW	1
442	MPW4	WASHER-PWN-M4	1
443	MHE4070-100	ELASTIC STOP NUT-M4	1
444	9R189735	FOOT	1
446	MSC6100-12	SCREW-SHCS-M6X1.00X1	1
447	MPW4	WASHER-PWN-M4	1
448	9R189729	SPECIAL WASHER	1
450	180582	LABEL-WARNING	1
451	180296	LABEL-WARNING	1
811	851385	LOCTITE	1
876	LPF33PT-DK	DRIVER KIT	1
876	LPF21/33/28-OK	OVERHAUL KIT	1