

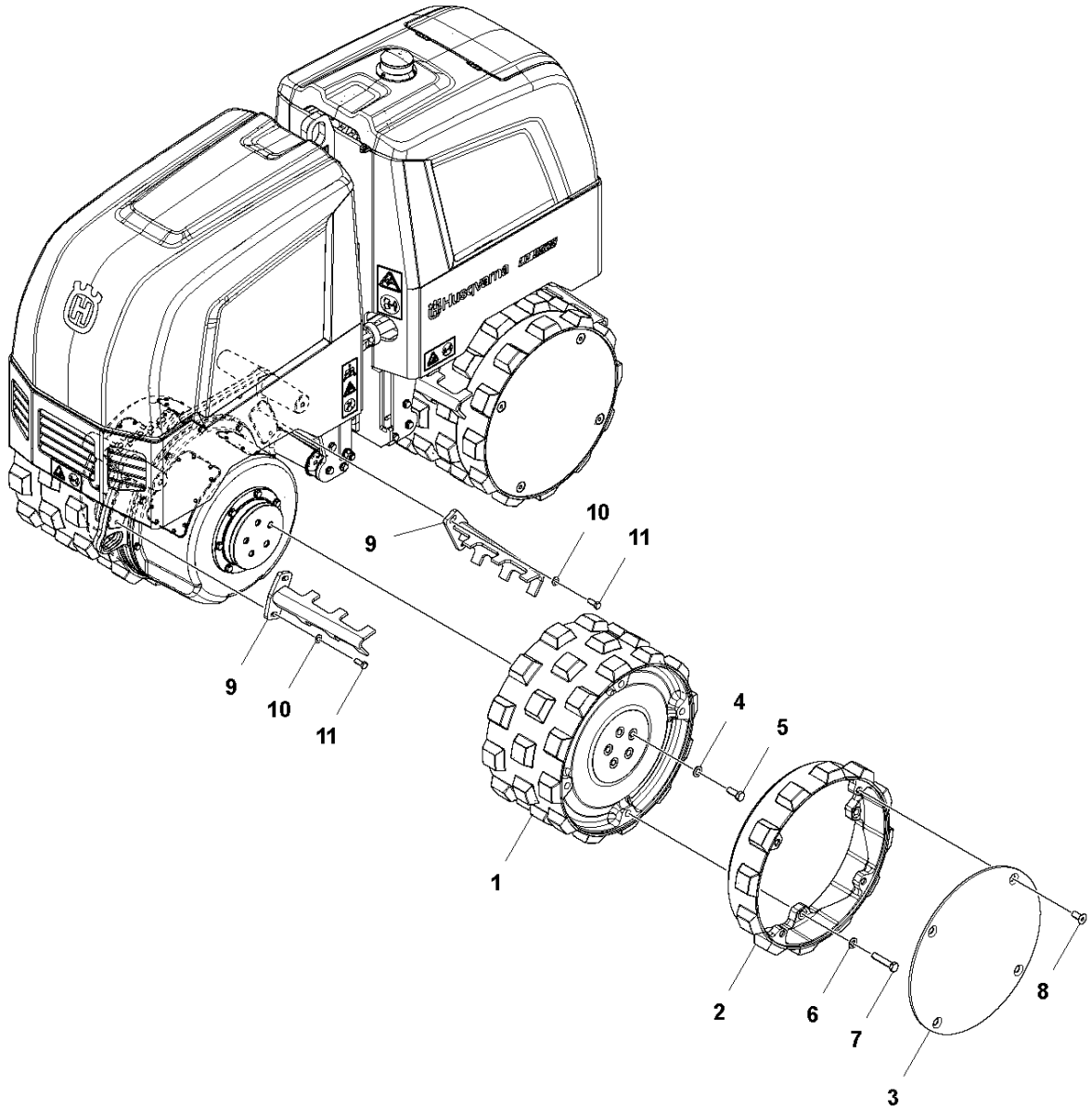


SPARE PARTS LIST

LIGHT COMPACTION

LP 9505, 967950801, 2022-06

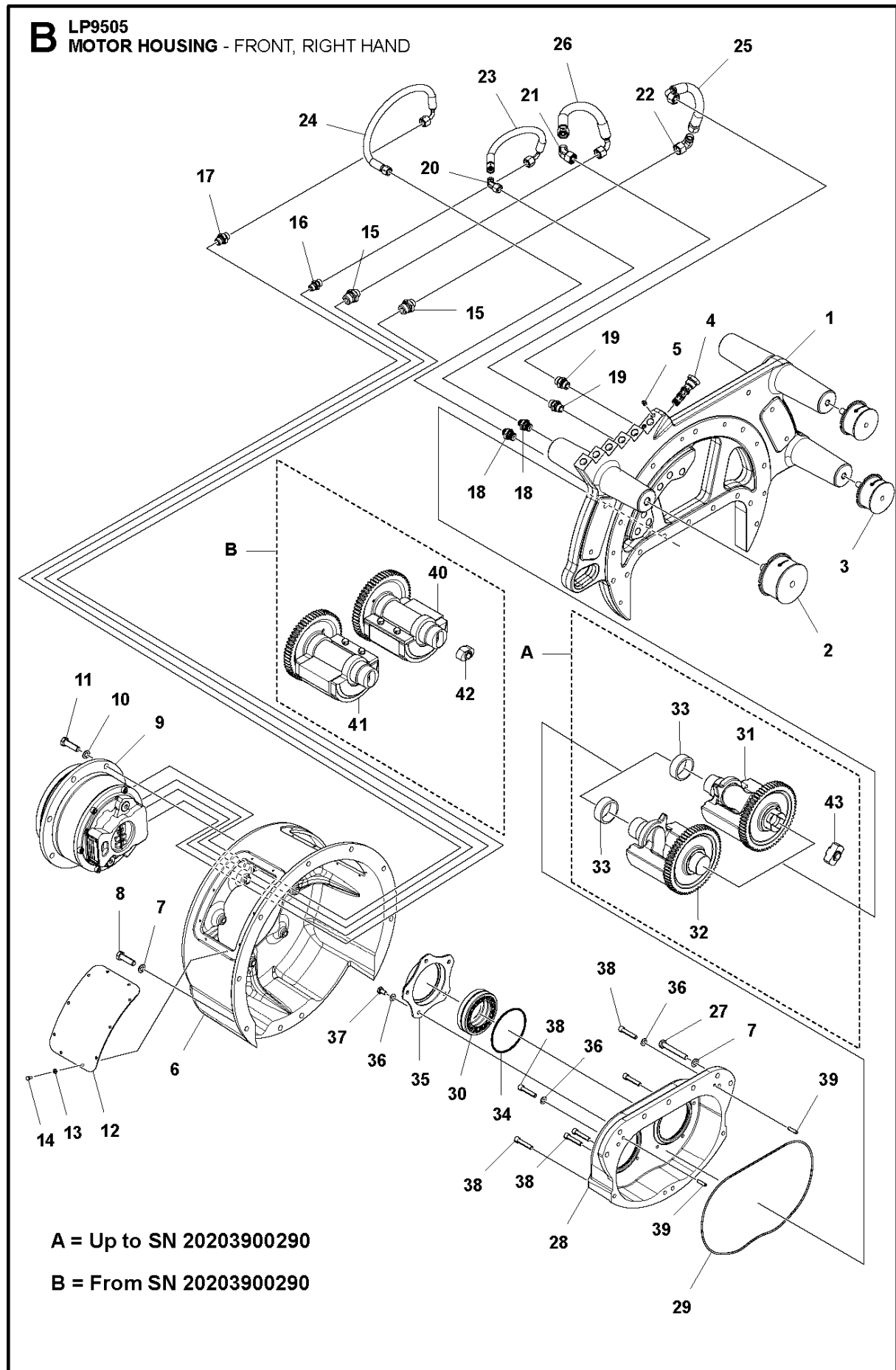
A LP9505
DRUMS & SCRAPERS



DRUMS & SCRAPERS

LP 9505, 967950801, 2022-06

Ref	Part No	Description	Remark	QTY KIT
1	596 36 33-01	DRUM	DRUM	4
2	596 36 34-01	DRUM	DRUM EXTENSION	4
3	596 37 91-01	DRUM	DRUM COVER	4
4	596 89 31-01	WASHER	WASHER Plain Ø17x30x3 HV300	20
5	596 88 97-03	SCREW	SCREW Hex. Head M6S M16x40 12.9 Geomet ISO4017	20
6	595 03 67-01	WASHER	WASHER	16
7	596 88 97-14	SCREW	SCREW Hex. Head M6S M16x75 8.8 fzb	16
8	596 89 12-02	SCREW	SCREW Countersunk Hex. Sock. MF6S M16x35	16
9	596 37 92-01	SCRAPER	SCRAPER 850 MM	8
10	595 11 34-01	WASHER	WASHER	16
11	594 11 90-01	BOLT	BOLT Hexagon Head M12X30 DIN933 8.8 FZB	16

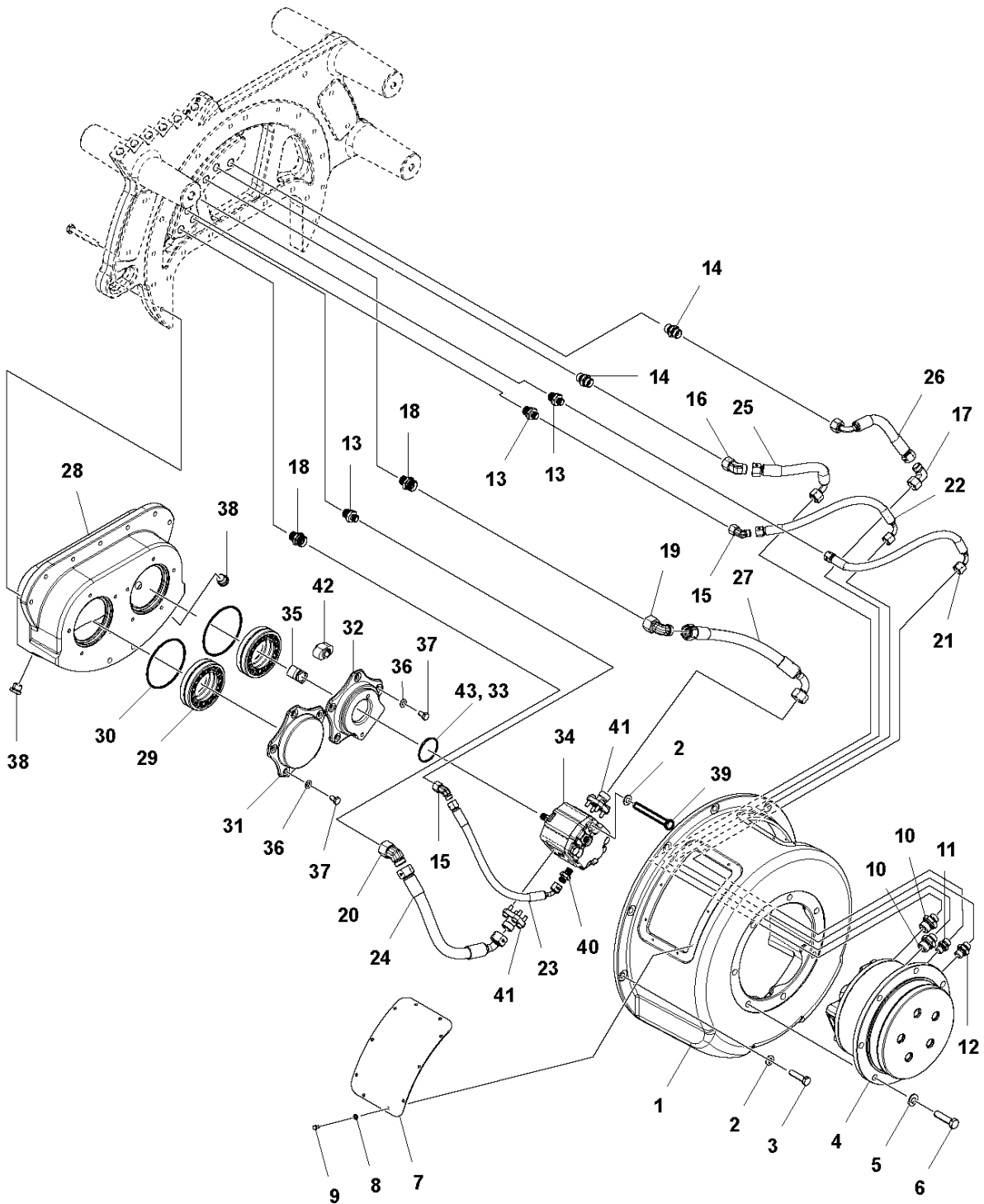


MOTOR HOUSING

LP 9505, 967950801, 2022-06

Ref	Part No	Description	Remark	QTY KIT
1	596 36 38-01	CROSS MEMBER	CROSS MEMBER	1
2	596 37 51-01	DAMPER	RUBBER DAMPER	2
3	596 37 52-01	DAMPER	RUBBER DAMPER	4
4	596 37 32-01	HYDRAULICS SYSTEM	HYDRAULICS SYSTEM Flow divider	1
5	596 37 33-01	PLUG	PLUG	2
6	596 36 39-01	BRACKET	MOTOR BRACKET	1
7	595 11 33-01	WASHER	WASHER	16
8	596 88 97-01	SCREW	SCREW Hex. Head M6S M10x40 12.9 Geomet ISO4017	9
9	597 44 74-01	HYDRAULIC MOTOR	HYDRAULIC MOTOR	1
10	595 11 34-01	WASHER	WASHER	7
11	596 88 97-02	SCREW	SCREW Hex. Head M6S M12x45 12.9 Geomet ISO4017	7
12	596 37 77-01	LID	SERVICE LID	2
13	594 12 38-01	PLANE WASHER	PLANE WASHER	20
14	597 44 75-01	SCREW	SCREW	20
15	596 88 93-09	NIPPLE	NIPPLE STRAIGHT M22x1.5 - M18x1.5	2
16	596 88 93-10	NIPPLE	NIPPLE STRAIGHT M14x1.5 - M16x1.5	1
17	596 88 93-11	NIPPLE	NIPPLE STRAIGHT M16x1.5 - M16x1.5	1
18	596 88 93-08	NIPPLE	NIPPLE STRAIGHT G3/8 - M14x1.5	2
19	595 97 54-01	FITTING	STRAIGHT FITTING G3/8 - M18x1.5	2
20	596 89 16-05	ELBOW	ELBOW SWIVEL 45° M14x1,5	1
21	596 89 16-08	ELBOW	ELBOW SWIVEL 45° M18x1,5	1
22	596 89 16-02	ELBOW	ELBOW SWIVEL 90° M18x1,5	1
23	596 36 98-01	HYDRAULIC HOSE	HYDRAULIC HOSE	1
24	596 36 99-01	HYDRAULIC HOSE	HYDRAULIC HOSE	1
25	596 37 00-01	HYDRAULIC HOSE	HYDRAULIC HOSE	1
26	596 37 01-01	HYDRAULIC HOSE	HYDRAULIC HOSE	1
27	596 88 97-10	SCREW	SCREW Hex. Head M6S M10x70 8.8 fzb	7
28	596 36 36-01	HOUSING	ECCENTRIC HOUSING	1
29	597 44 78-01	O-RING	O-RING	1
30	596 38 34-01	ROLLER BEARING	ROLLER BEARING Spherical roller bearing	2
31	597 54 25-02	ECCENTRIC	ECCENTRIC WEIGHTS with a keyway and gear cpl.	1
32	597 54 25-03	ECCENTRIC	ECCENTRIC WEIGHTS and gear cpl.	1
33	596 37 53-01	SPACER	SPACER	2
34	596 88 96-04	O-RING	O-RING Ø100x3	2
35	596 36 32-01	BEARING COVER	BEARING COVER	2
36	595 03 66-01	WASHER	WASHER	12
37	596 88 97-08	SCREW	SCREW Hex. Head M6S M8x14 8.8 fzb	10
38	596 88 97-20	SCREW	SCREW Hex. Sock. MC6S M8x40 8.8 fzb	6
39	595 02 99-01	PIN	PIN PARALLELL	2
40	599 40 72-01	SHAFT ASSY	From SN20203900290	1
41	599 40 72-02	SHAFT ASSY	From SN 20203900290	1
42	599 33 93-01	COUPLING	From SN 20203900290	1
43	596 37 54-01	COUPLING	Up to SN 20203900290	1

C LP9505
MOTOR HOUSING - FRONT, LEFT HAND

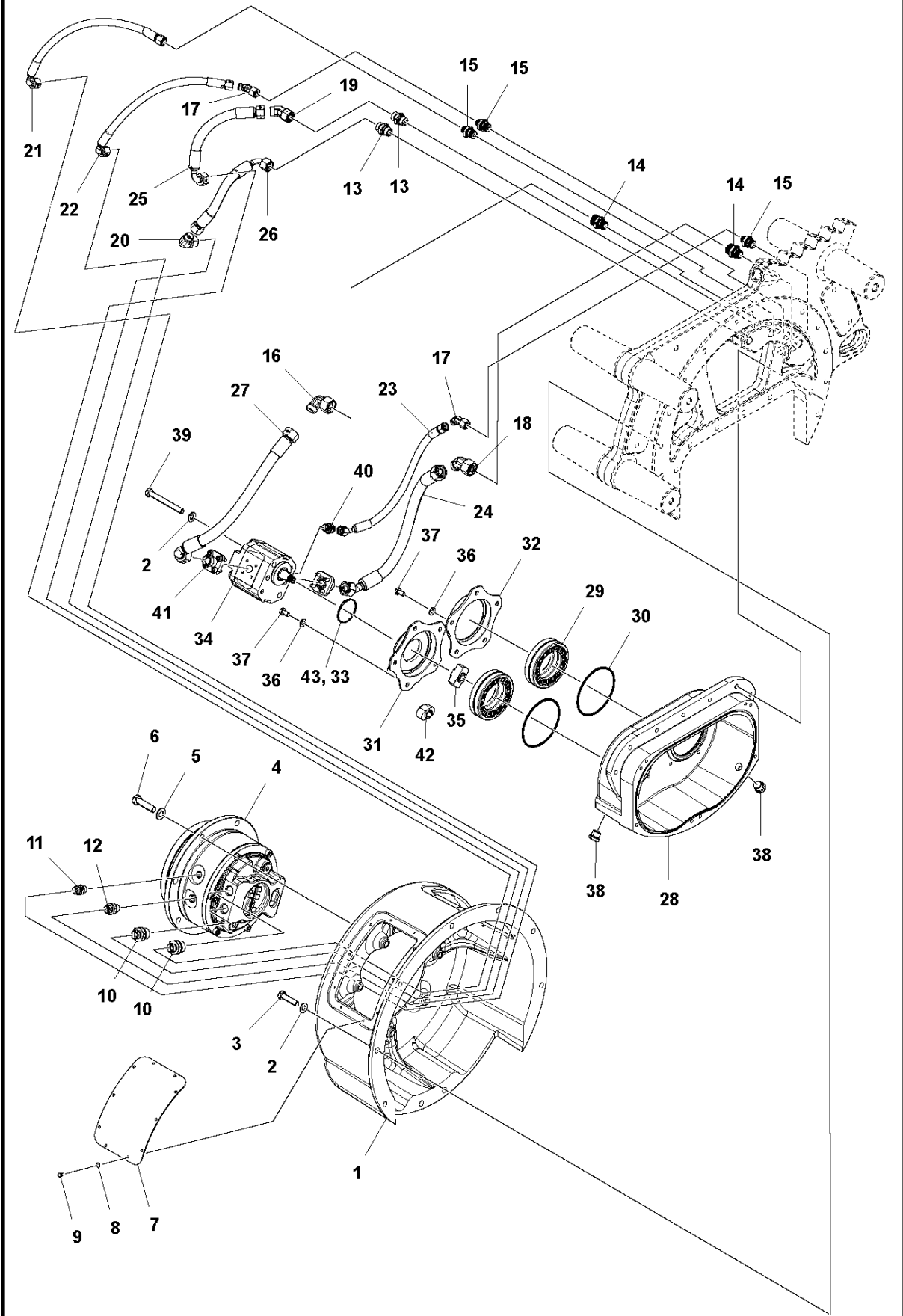


MOTOR HOUSING

LP 9505, 967950801, 2022-06

Ref	Part No	Description	Remark	QTY KIT
1	596 36 39-01	BRACKET	MOTOR BRACKET	1
2	595 11 33-01	WASHER	WASHER	11
3	596 88 97-01	SCREW	SCREW Hex. Head M6S M10x40 12.9 Geomet ISO4017	9
4	597 44 74-01	HYDRAULIC MOTOR	HYDRAULIC MOTOR	1
5	595 11 34-01	WASHER	WASHER	7
6	596 88 97-02	SCREW	SCREW Hex. Head M6S M12x45 12.9 Geomet ISO4017	7
7	596 37 77-01	LID	SERVICE LID	2
8	594 12 38-01	PLANE WASHER	PLANE WASHER	20
9	597 44 75-01	SCREW	SCREW	20
10	596 88 93-09	NIPPLE	NIPPLE STRAIGHT M22x1.5 - M18x1.5	2
11	596 88 93-10	NIPPLE	NIPPLE STRAIGHT M14x1.5 - M16x1.5	1
12	596 88 93-11	NIPPLE	NIPPLE STRAIGHT M16x1.5 - M16x1.5	1
13	596 88 93-08	NIPPLE	NIPPLE STRAIGHT G3/8 - M14x1.5	3
14	595 97 54-01	FITTING	STRAIGHT FITTING G3/8 - M18x1.5	2
15	596 89 16-05	ELBOW	ELBOW SWIVEL 45° M14x1,5	2
16	596 89 16-08	ELBOW	ELBOW SWIVEL 45° M18x1,5	1
17	596 89 16-02	ELBOW	ELBOW SWIVEL 90° M18x1,5	1
18	596 88 93-05	NIPPLE	NIPPLE STRAIGHT G3/8 - M22x1.5	2
19	596 89 16-03	ELBOW	ELBOW SWIVEL 90° M22x1,5	1
20	596 89 16-06	ELBOW	ELBOW SWIVEL 45° M22x1,5	1
21	596 36 95-01	HYDRAULIC HOSE	HYDRAULIC HOSE	1
22	596 36 96-01	HYDRAULIC HOSE	HYDRAULIC HOSE	1
23	596 36 97-01	HYDRAULIC HOSE	HYDRAULIC HOSE	1
24	596 37 04-01	HYDRAULIC HOSE	HYDRAULIC HOSE	1
25	596 37 02-01	HYDRAULIC HOSE	HYDRAULIC HOSE	1
26	596 37 03-01	HYDRAULIC HOSE	HYDRAULIC HOSE	1
27	596 37 05-01	HYDRAULIC HOSE	HYDRAULIC HOSE	1
28	596 36 35-01	HOUSING	ECCENTRIC HOUSING	1
29	596 38 34-01	ROLLER BEARING	ROLLER BEARING Spherical roller bearing	2
30	596 88 96-04	O-RING	O-RING Ø100x3	2
31	596 36 32-01	BEARING COVER	BEARING COVER	1
32	596 36 37-01	BEARING COVER	BEARING COVER	1
33	596 88 96-02	O-RING	O-RING Ø48x2,5	1
34	596 37 34-01	MOTOR	MOTOR	1
35	596 37 54-01	COUPLING	Up to SN 20203900290	1
36	595 03 66-01	WASHER	WASHER	10
37	596 88 97-08	SCREW	SCREW Hex. Head M6S M8x14 8.8 fzb	10
38	595 04 33-01	PLUG	PLUG HEX SOCK	2
39	535 51 42-01	SCREW	SCREW Hex. Head M6S M10x90 10.9 Geomet	2
40	596 88 93-01	NIPPLE	NIPPLE STRAIGHT G1/4 - M14x1.5	1
41	596 36 92-01	FITTING	FITTING Flange fitting	2
42	599 33 93-01	COUPLING	From SN 20203900290	1
43	595 11 80-01	O-RING	Φ48x2, from SN 20210400001 to SN 20210400010	1

D LP9505
MOTOR HOUSING - REAR, RIGHT HAND



MOTOR HOUSING

LP 9505, 967950801, 2022-06

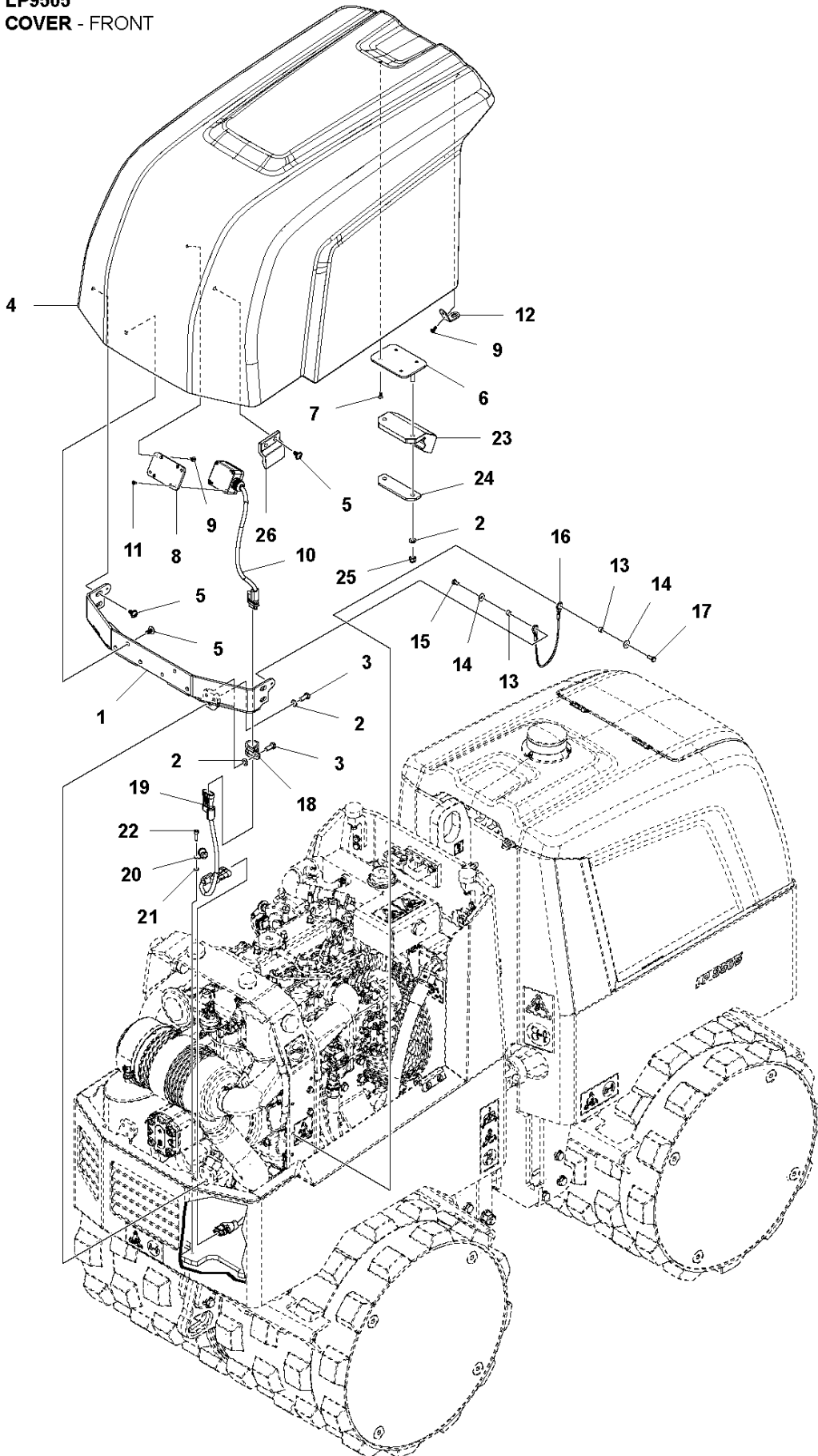
Ref	Part No	Description	Remark	QTY KIT
1	596 36 39-01	BRACKET	MOTOR BRACKET	1
2	595 11 33-01	WASHER	WASHER	11
3	596 88 97-01	SCREW	SCREW Hex. Head M6S M10x40 12.9 Geomet ISO4017	9
4	597 44 74-01	HYDRAULIC MOTOR	HYDRAULIC MOTOR	1
5	595 11 34-01	WASHER	WASHER	7
6	596 88 97-02	SCREW	SCREW Hex. Head M6S M12x45 12.9 Geomet ISO4017	7
7	596 37 77-01	LID	SERVICE LID	2
8	594 12 38-01	PLANE WASHER	PLANE WASHER	20
9	597 44 75-01	SCREW	SCREW	20
10	596 88 93-09	NIPPLE	NIPPLE STRAIGHT M22x1.5 - M18x1.5	2
11	596 88 93-10	NIPPLE	NIPPLE STRAIGHT M14x1.5 - M16x1.5	1
12	596 88 93-11	NIPPLE	NIPPLE STRAIGHT M16x1.5 - M16x1.5	1
15	596 88 93-08	NIPPLE	NIPPLE STRAIGHT G3/8 - M14x1.5	3
13	595 97 54-01	FITTING	STRAIGHT FITTING G3/8 - M18x1.5	2
17	596 89 16-05	ELBOW	ELBOW SWIVEL 45° M14x1,5	2
19	596 89 16-08	ELBOW	ELBOW SWIVEL 45° M18x1,5	1
20	596 89 16-02	ELBOW	ELBOW SWIVEL 90° M18x1,5	1
14	596 88 93-05	NIPPLE	NIPPLE STRAIGHT G3/8 - M22x1.5	2
16	596 89 16-03	ELBOW	ELBOW SWIVEL 90° M22x1,5	1
18	596 89 16-06	ELBOW	ELBOW SWIVEL 45° M22x1,5	1
21	596 36 95-01	HYDRAULIC HOSE	HYDRAULIC HOSE	1
22	596 36 96-01	HYDRAULIC HOSE	HYDRAULIC HOSE	1
23	596 36 97-01	HYDRAULIC HOSE	HYDRAULIC HOSE	1
24	596 37 04-01	HYDRAULIC HOSE	HYDRAULIC HOSE	1
25	596 37 02-01	HYDRAULIC HOSE	HYDRAULIC HOSE	1
26	596 37 03-01	HYDRAULIC HOSE	HYDRAULIC HOSE	1
27	596 37 05-01	HYDRAULIC HOSE	HYDRAULIC HOSE	1
28	596 36 35-01	HOUSING	ECCENTRIC HOUSING	1
29	596 38 34-01	ROLLER BEARING	ROLLER BEARING Spherical roller bearing	2
30	596 88 96-04	O-RING	O-RING Ø100x3	2
32	596 36 32-01	BEARING COVER	BEARING COVER	1
31	596 36 37-01	BEARING COVER	BEARING COVER	1
33	596 88 96-02	O-RING	O-RING Ø48x2,5	1
34	596 37 34-01	MOTOR	MOTOR	1
35	596 37 54-01	COUPLING	Up to SN202039000290	1
36	595 03 66-01	WASHER	WASHER	10
37	596 88 97-08	SCREW	SCREW Hex. Head M6S M8x14 8.8 fzb	10
38	595 04 33-01	PLUG	PLUG HEX SOCK	2
39	535 51 42-01	SCREW	SCREW Hex. Head M6S M10x90 10.9 Geomet	2
40	596 88 93-01	NIPPLE	NIPPLE STRAIGHT G1/4 - M14x1.5	1
41	596 36 92-01	FITTING	FITTING Flange fitting	2
42	599 33 93-01	COUPLING	From SN 202039000290	1
43	595 11 80-01	O-RING	Φ48x2, from SN 20210400001 to SN 20210400010	1

MOTOR HOUSING

LP 9505, 967950801, 2022-06

Ref	Part No	Description	Remark	QTY KIT
1	596 36 38-01	CROSS MEMBER	CROSS MEMBER	1
2	596 37 51-01	DAMPER	RUBBER DAMPER	2
3	596 37 52-01	DAMPER	RUBBER DAMPER	4
4	596 37 32-01	HYDRAULICS SYSTEM	HYDRAULICS SYSTEM Flow divider	1
5	596 37 33-01	PLUG	PLUG	2
6	596 36 39-01	BRACKET	MOTOR BRACKET	1
7	595 11 33-01	WASHER	WASHER	16
8	596 88 97-01	SCREW	SCREW Hex. Head M6S M10x40 12.9 Geomet ISO4017	9
9	597 44 74-01	HYDRAULIC MOTOR	HYDRAULIC MOTOR	1
10	595 11 34-01	WASHER	WASHER	7
11	596 88 97-02	SCREW	SCREW Hex. Head M6S M12x45 12.9 Geomet ISO4017	7
12	596 37 77-01	LID	SERVICE LID	2
13	594 12 38-01	PLANE WASHER	PLANE WASHER	20
14	597 44 75-01	SCREW	SCREW	20
15	596 88 93-09	NIPPLE	NIPPLE STRAIGHT M22x1.5 - M18x1.5	2
16	596 88 93-10	NIPPLE	NIPPLE STRAIGHT M14x1.5 - M16x1.5	1
17	596 88 93-11	NIPPLE	NIPPLE STRAIGHT M16x1.5 - M16x1.5	1
18	596 88 93-08	NIPPLE	NIPPLE STRAIGHT G3/8 - M14x1.5	2
19	595 97 54-01	FITTING	STRAIGHT FITTING G3/8 - M18x1.5	2
20	596 89 16-05	ELBOW	ELBOW SWIVEL 45° M14x1,5	1
21	596 89 16-08	ELBOW	ELBOW SWIVEL 45° M18x1,5	1
22	596 89 16-02	ELBOW	ELBOW SWIVEL 90° M18x1,5	1
23	596 36 98-01	HYDRAULIC HOSE	HYDRAULIC HOSE	1
24	596 36 99-01	HYDRAULIC HOSE	HYDRAULIC HOSE	1
25	596 37 00-01	HYDRAULIC HOSE	HYDRAULIC HOSE	1
26	596 37 01-01	HYDRAULIC HOSE	HYDRAULIC HOSE	1
27	596 88 97-10	SCREW	SCREW Hex. Head M6S M10x70 8.8 fzb	7
28	596 36 36-01	HOUSING	ECCENTRIC HOUSING	1
29	597 44 78-01	O-RING	O-RING	1
30	596 38 34-01	ROLLER BEARING	ROLLER BEARING Spherical roller bearing	2
31	597 54 25-02	ECCENTRIC	ECCENTRIC WEIGHTS with a keyway and gear cpl.	1
32	597 54 25-03	ECCENTRIC	ECCENTRIC WEIGHTS and gear cpl.	1
33	596 37 53-01	SPACER	SPACER	2
34	596 88 96-04	O-RING	O-RING Ø100x3	2
35	596 36 32-01	BEARING COVER	BEARING COVER	2
36	595 03 66-01	WASHER	WASHER	12
37	596 88 97-08	SCREW	SCREW Hex. Head M6S M8x14 8.8 fzb	10
38	596 88 97-20	SCREW	SCREW Hex. Sock. MC6S M8x40 8.8 fzb	6
39	595 02 99-01	PIN	PIN PARALLELL	2
40	599 40 72-01	SHAFT ASSY	From SN20203900290	1
41	599 40 72-02	SHAFT ASSY	From SN20203900290	1
42	599 33 93-01	COUPLING	From SN 20203900290	1
43	596 37 54-01	COUPLING	Up to SN 20203900290	1

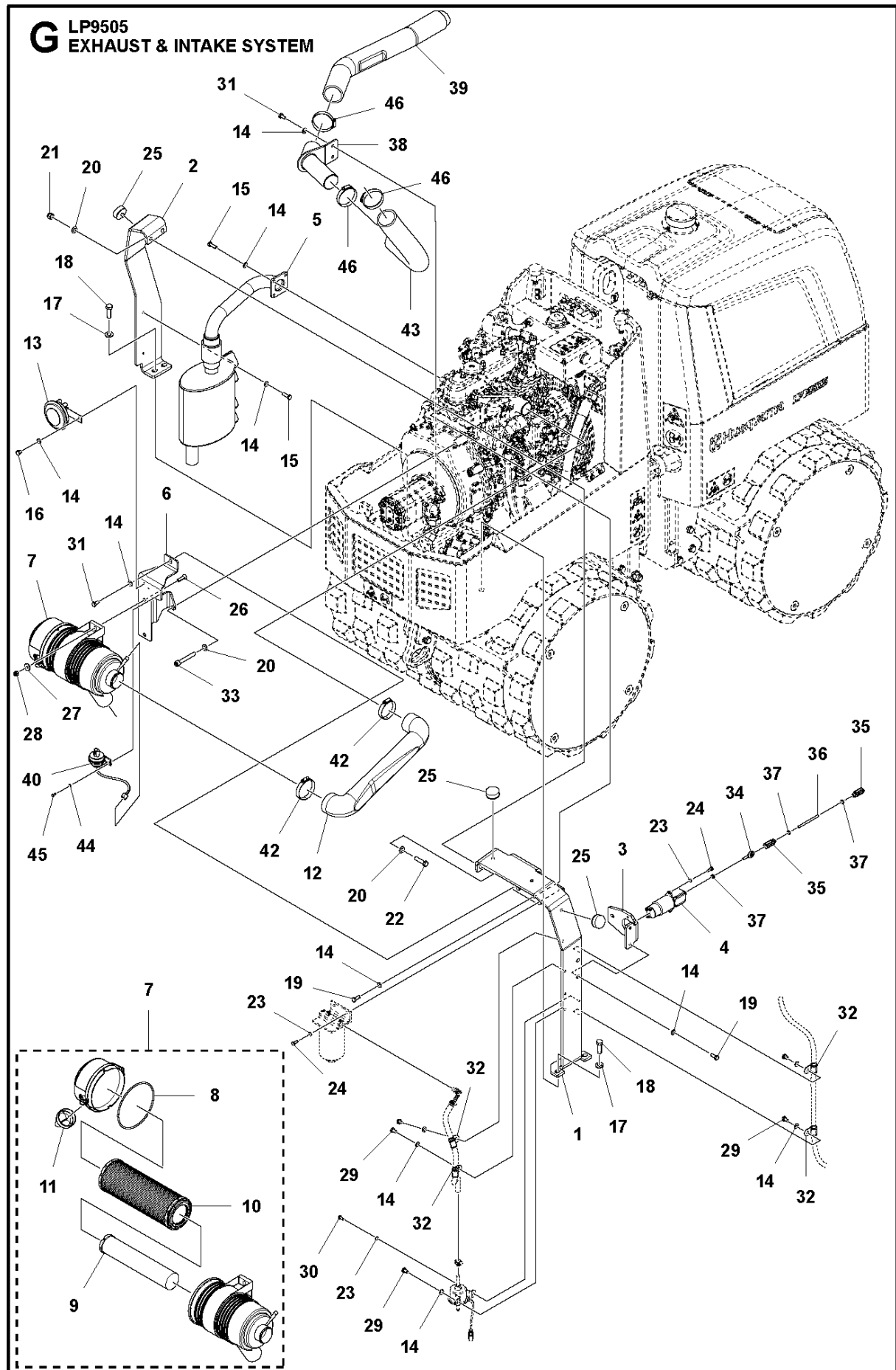
F LP9505
COVER - FRONT



COVER

LP 9505, 967950801, 2022-06

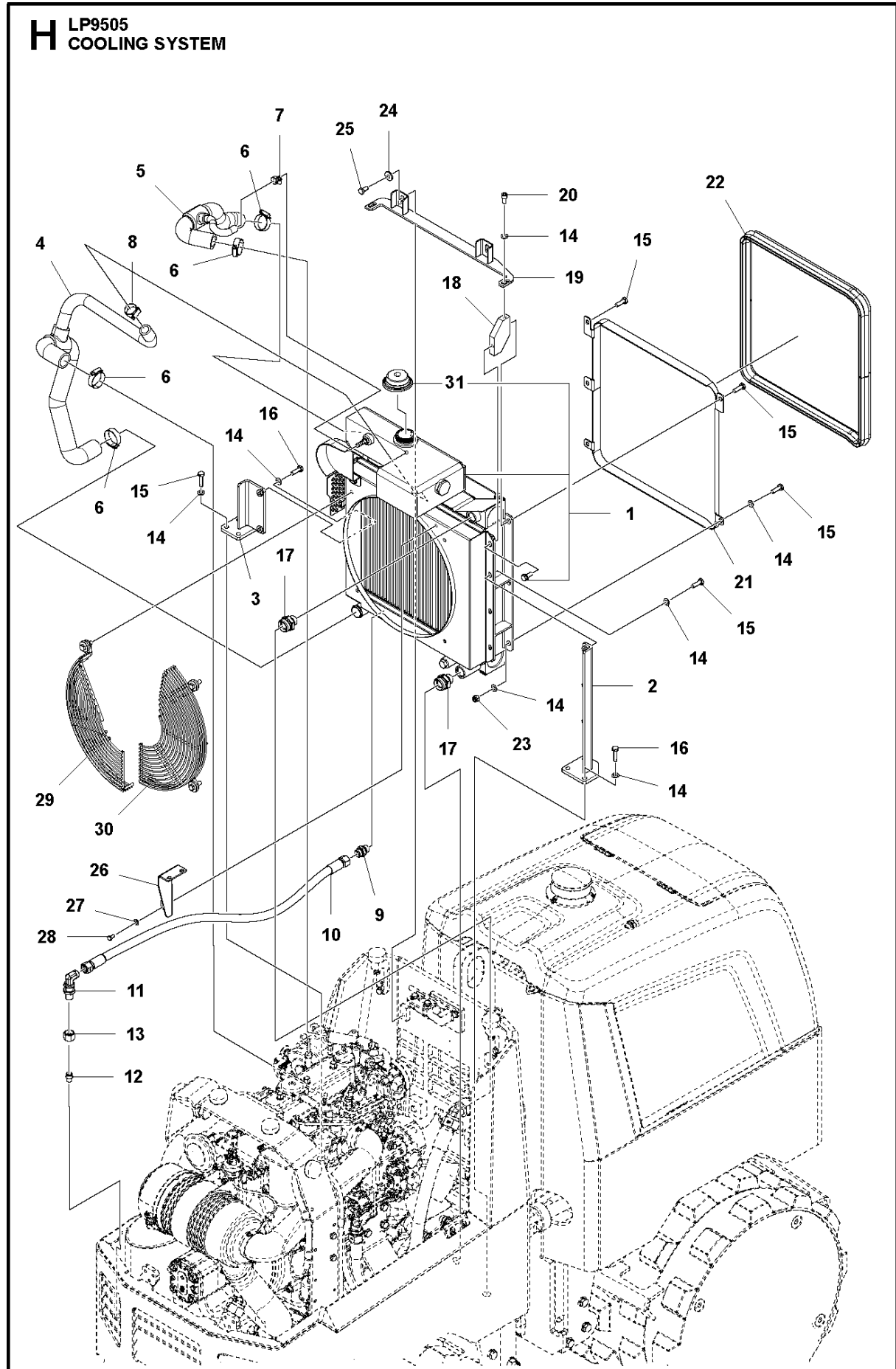
Ref	Part No	Description	Remark	QTY KIT
1	596 38 04-01	SUPPORT	SUPPORT Hood support	1
2	595 03 66-01	WASHER	WASHER	8
3	594 11 79-01	SCREW	SCREW	6
4	595 91 62-01	HOOD	HOOD Front hood	1
5	596 38 42-01	SCREW	THREAD FORMING SCREW	14
6	596 38 17-01	BRACKET	BRACKET Latch bracket	1
7	596 38 43-01	SCREW	THREAD FORMING SCREW	4
8	596 37 69-01	BRACKET	BRACKET Sensor bracket	1
9	596 38 41-01	SCREW	THREAD FORMING SCREW	6
10	596 36 65-01	SENSOR	SENSOR Front MDS	1
11	596 69 51-29	SCREW	SCREW HEX. SOCK. SCREW	4
12	596 38 00-01	LOOP	LOOP Padlock loop	1
13	596 37 60-01	SLEEVE	SLEEVE Distance Sleeve	2
14	595 03 64-01	WASHER	WASHER	2
15	595 34 42-01	SCREW	SCREW	1
16	596 37 44-01	WIRE	WIRE Hood wire	1
17	595 03 32-01	SCREW	SCREW	1
18	595 11 47-01	CLAMP	PIPE CLAMP COVERED	1
19	596 36 69-01	CABLE	CABLE OPS connection cable	1
20	596 89 13-02	PIPE CLAMP	PIPE CLAMP Covered Ø10, M6	1
21	595 03 65-01	PLANE WASHER	WASHER Plain	1
22	595 34 80-01	SCREW	SCREW HEX SOCK	1
23	596 37 64-01	GRIP	GRIP Rubber grip	1
24	596 38 16-01	BRACKET	BRACKET	1
25	595 35 23-01	NUT	NUT LOCK	2
26	596 37 65-01	SUPPORT	SUPPORT Hood support	2



EXHAUST & INTAKE SYSTEM

LP 9505, 967950801, 2022-06

Ref	Part No	Description	Remark	QTY KIT
1	596 38 11-01	BRACKET	BRACKET Main front bracket	1
2	596 38 07-01	BRACKET	BRACKET Main front bracket	1
3	596 88 63-01	BRACKET	BRACKET Solenoid	1
4	596 36 62-01	THROTTLE	THROTTLE Throttle solenoid	1
5	596 37 50-01	EXHAUST	EXHAUST Exhaust system	1
6	596 38 08-01	BRACKET	BRACKET Air filter bracket	1
7	596 88 65-01	AIR FILTER	AIR FILTER	1
8	597 44 78-02	O-RING	O-RING	1 7
9	597 44 94-01	UNIT	SAFETY ELEMENT	1 7
10	597 44 94-02	UNIT	MAIN ELEMENT	1 7
11	597 44 81-01	CAP	VACUATOR CAP	1 7
12	596 88 57-01	INLET PIPE	INLET PIPE	1
13	595 19 37-01	HORN	HORN	1
14	595 03 66-01	WASHER	WASHER	19
15	595 03 34-01	SCREW	SCREW	6
16	596 88 97-06	SCREW	SCREW Hex. Head M6S M8x10 8.8 fzb	1
17	595 11 30-01	WASHER	WASHER	4
18	595 11 03-01	SCREW	SCREW	4
19	594 11 79-01	SCREW	SCREW	4
20	595 11 33-01	WASHER	WASHER	6
21	594 12 31-01	LOCK NUT	LOCK NUT M10	2
22	594 11 86-01	SCREW	HEX. HEAD SCREW	2
23	595 03 65-01	PLANE WASHER	WASHER Plain	5
24	595 03 32-01	SCREW	SCREW	4
25	596 38 32-01	DAMPER	DAMPER Rubber damper	4
26	596 89 12-01	SCREW	SCREW Countersunk Hex. Sock. MF6S M8x30	2
27	594 12 34-01	WASHER	WASHER 8.4 X2 2 X 3 MM	2
28	595 35 23-01	NUT	NUT LOCK	2
29	596 88 97-07	SCREW	SCREW Hex. Head M6S M8x12 8.8 fzb	5
30	595 34 42-01	SCREW	SCREW	1
31	595 11 01-01	SCREW	SCREW	3
32	594 12 53-01	PIPE CLAMP	PIPE CLAMP	4
33	596 88 97-23	SCREW	SCREW Hex. Sock. Fine Pitch MC6 SM10x1.25x70	2
34	596 38 49-01	ROD	ROD Rod eye	1
35	596 38 50-01	ROD	ROD Rod clevis	2
36	596 37 42-01	ROD	ROD Threaded rod	1
37	595 28 75-01	HEXAGON NUT	HEXAGON NUT	3
38	596 37 67-01	ATTACHMENT	ATTACHMENT Tube attachment	1
39	596 37 47-01	INLET PIPE	INLET PIPE	1
40	596 88 66-01	SENSOR	SENSOR Air filter	1
42	596 89 14-04	HOSE CLAMP	HOSE CLAMP Ø40-60	2
43	596 37 48-01	INLET PIPE	INLET PIPE	1
44	595 11 32-01	WASHER	WASHER	2
45	596 88 97-04	SCREW	SCREW Hex. Head M6S M4x12 8.8 fzb	2
46	595 45 50-01	CLAMP	HOSE CLAMP, D51-65 MM W. SCREW	3

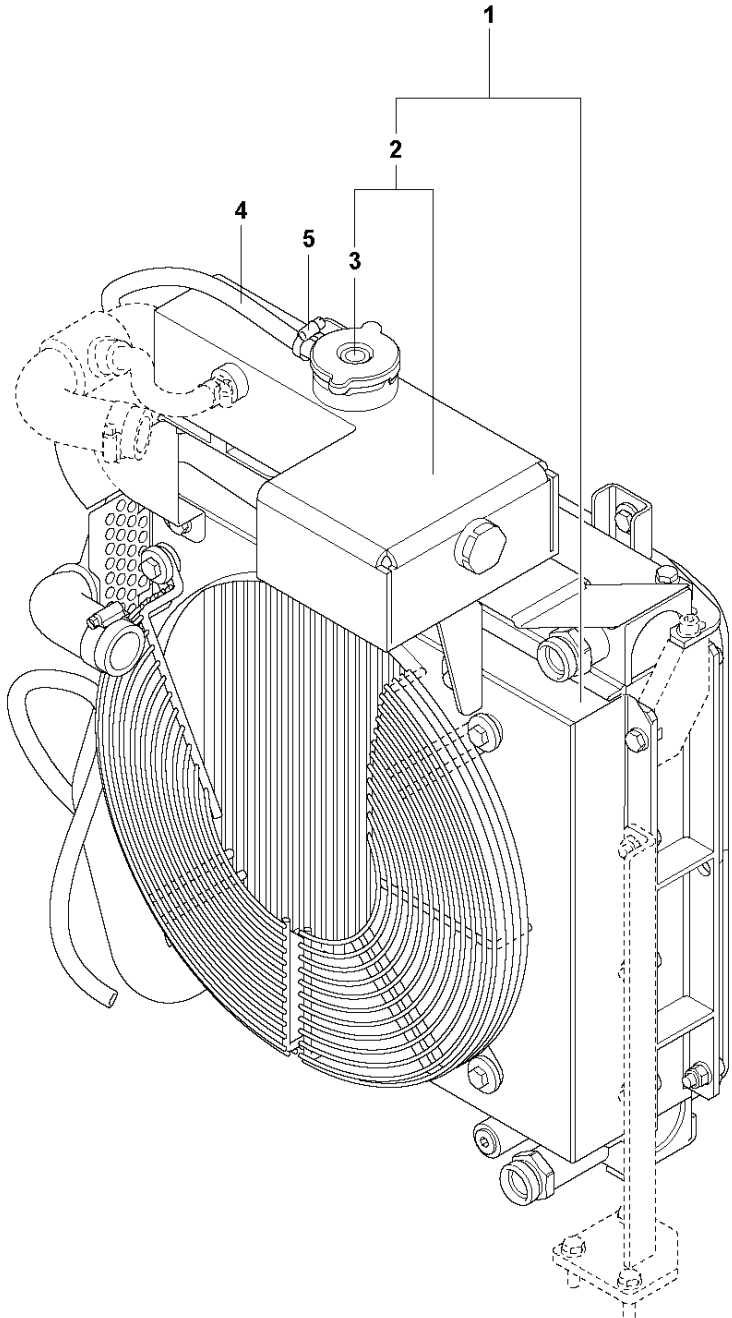


COOLING SYSTEM

LP 9505, 967950801, 2022-06

Ref	Part No	Description	Remark	QTY KIT
1	597 33 91-01	COOLER	COOLER ASSY, Up to SN 20210500646	1
2	596 37 74-01	BRACKET	BRACKET Cooler bracket LHS	1
3	596 37 73-01	BRACKET	BRACKET Cooler bracket RHS	1
4	596 36 42-01	HOSE	HOSE Cooler hose	1
5	596 36 43-01	HOSE	HOSE Cooler hose	1
6	596 89 14-03	HOSE CLAMP	HOSE CLAMP Ø32-44	4
7	596 89 14-01	HOSE CLAMP	HOSE CLAMP Ø12.7-16	1
8	596 89 14-02	HOSE CLAMP	HOSE CLAMP Ø25-32	1
9	595 97 54-01	FITTING	FITTING	1
10	596 37 31-01	HOSE	HOSE Water drain hose	1
11	596 89 36-01	UNIT	UNIT Bulk Head Union M18x1.5	1
12	596 88 90-01	PLUG	PLUG Ø12	1
13	596 88 91-01	NUT	NUT M18x1,5	1
14	595 03 66-01	WASHER	WASHER	19
15	595 03 34-01	SCREW	SCREW	10
16	595 34 43-01	SCREW	SCREW	6
17	596 88 93-07	NIPPLE	NIPPLE STRAIGHT UNF 7/8-14 - M30x2	2
18	596 38 14-01	BRACKET	BRACKET	2
19	596 37 80-01	BRACKET	BRACKET Cooler Bracket	1
20	595 03 44-01	SCREW	SCREW M8X16	2
21	596 37 72-01	BRACKET	BRACKET Rubber Strip Bracket	1
22	596 38 29-01	STRIP	RUBBER STRIP Rubber Strip	1
23	595 35 23-01	NUT	NUT LOCK	3
24	594 12 34-01	WASHER	WASHER 8.4 X2 2 X 3 MM	2
25	595 11 01-01	SCREW	SCREW	2
26	596 37 86-01	BRACKET	BRACKET	1
27	595 03 65-01	PLANE WASHER	WASHER Plain	1
28	595 34 42-01	SCREW	SCREW	1
29	596 36 47-01	GUARD	GUARD Fan guard RHS	1
30	596 36 48-01	GUARD	GUARD Fan guard LHS	1
31	596 36 44-01	CAP	Up to SN 20210500646	1

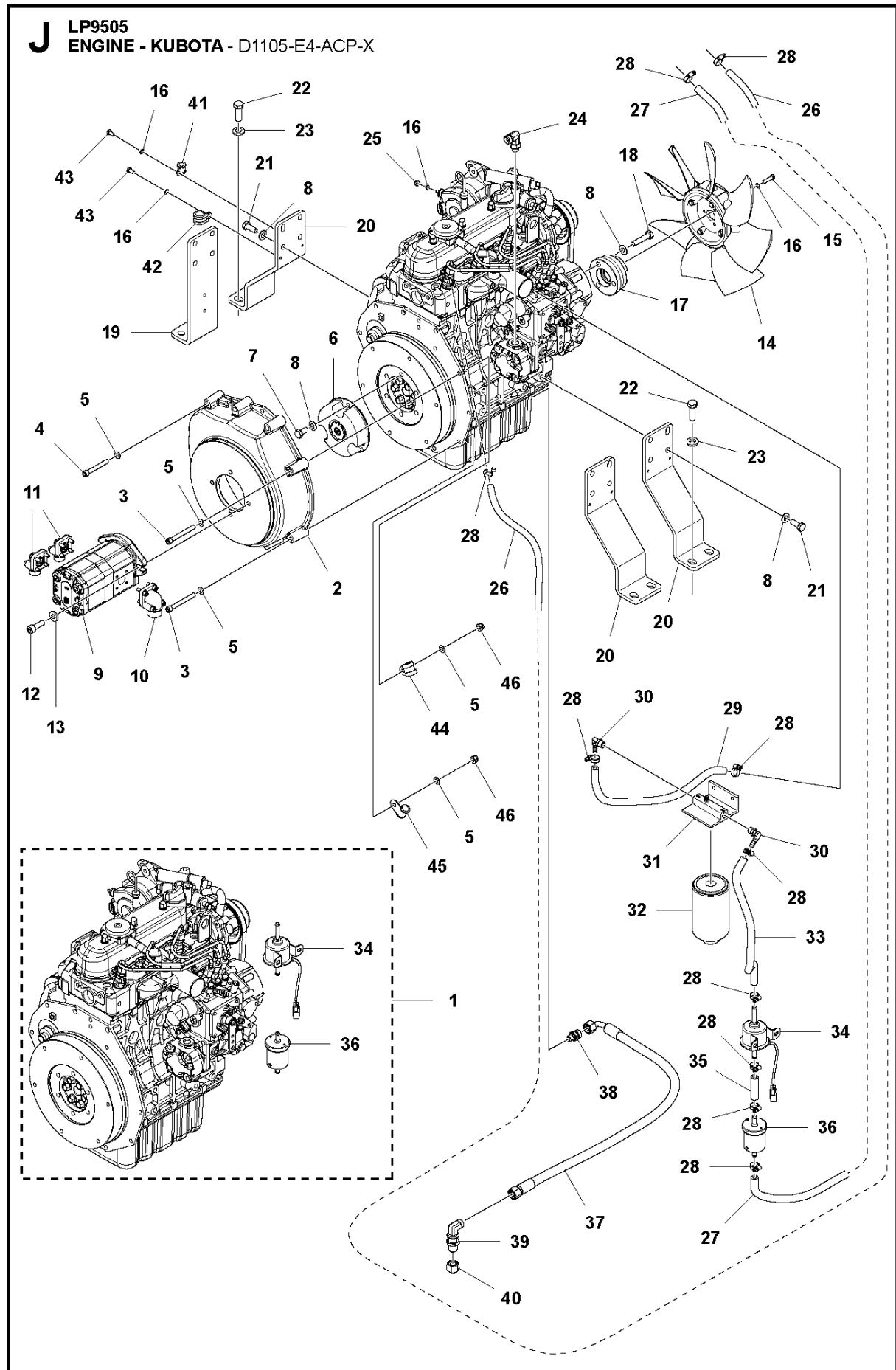
LP9505
COOLER - From SN20210500647



COOLER

LP 9505, 967950801, 2022-06

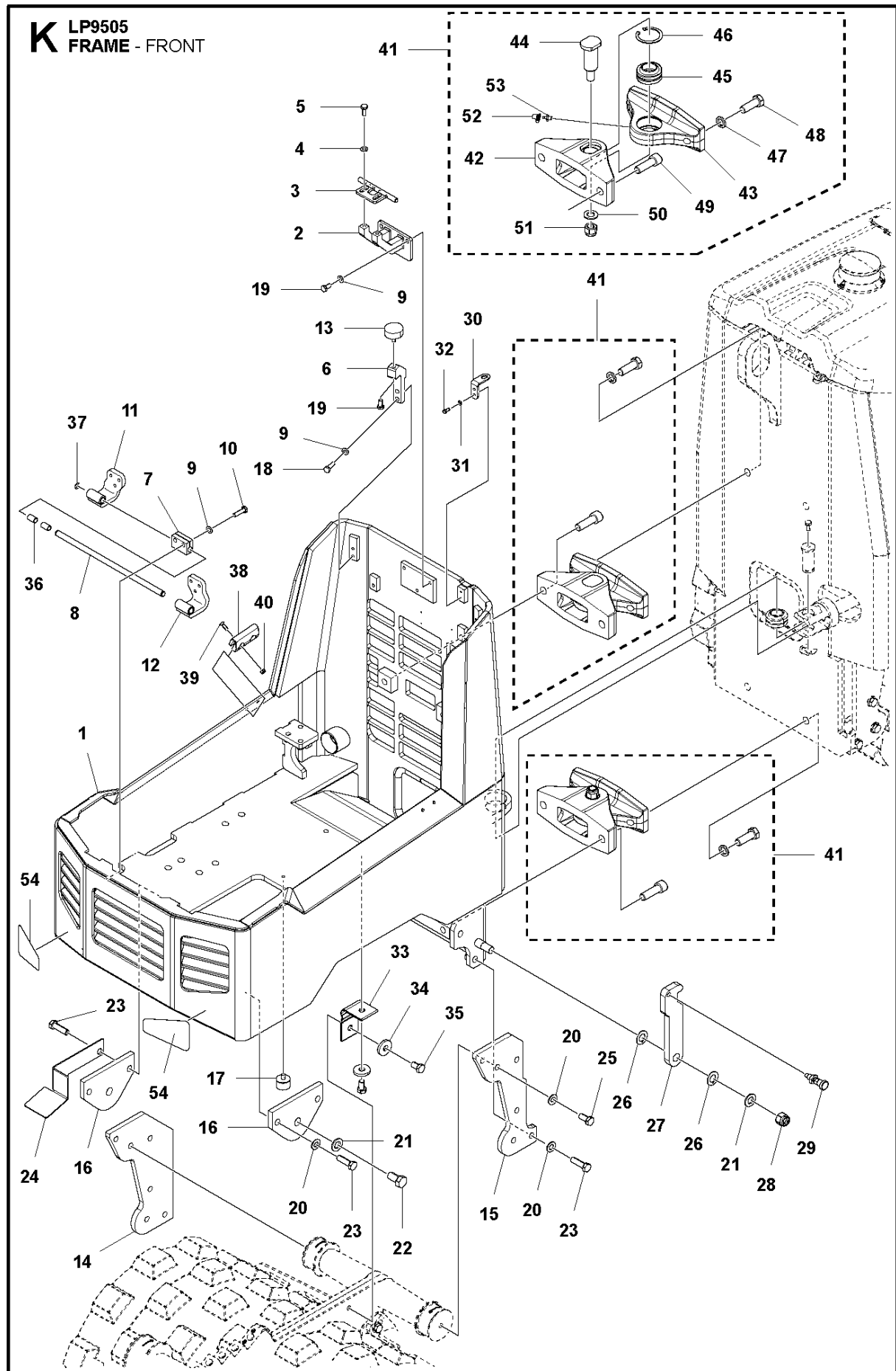
Ref	Part No	Description	Remark	QTY	KIT
1	596 36 46-01	COOLER		1	
3	596 36 44-02	CAP		1	1, 2
4	596 38 35-03	FUEL HOSE		1	
5	595 45 46-01	CLAMP		1	



ENGINE - KUBOTA

LP 9505, 967950801, 2022-06

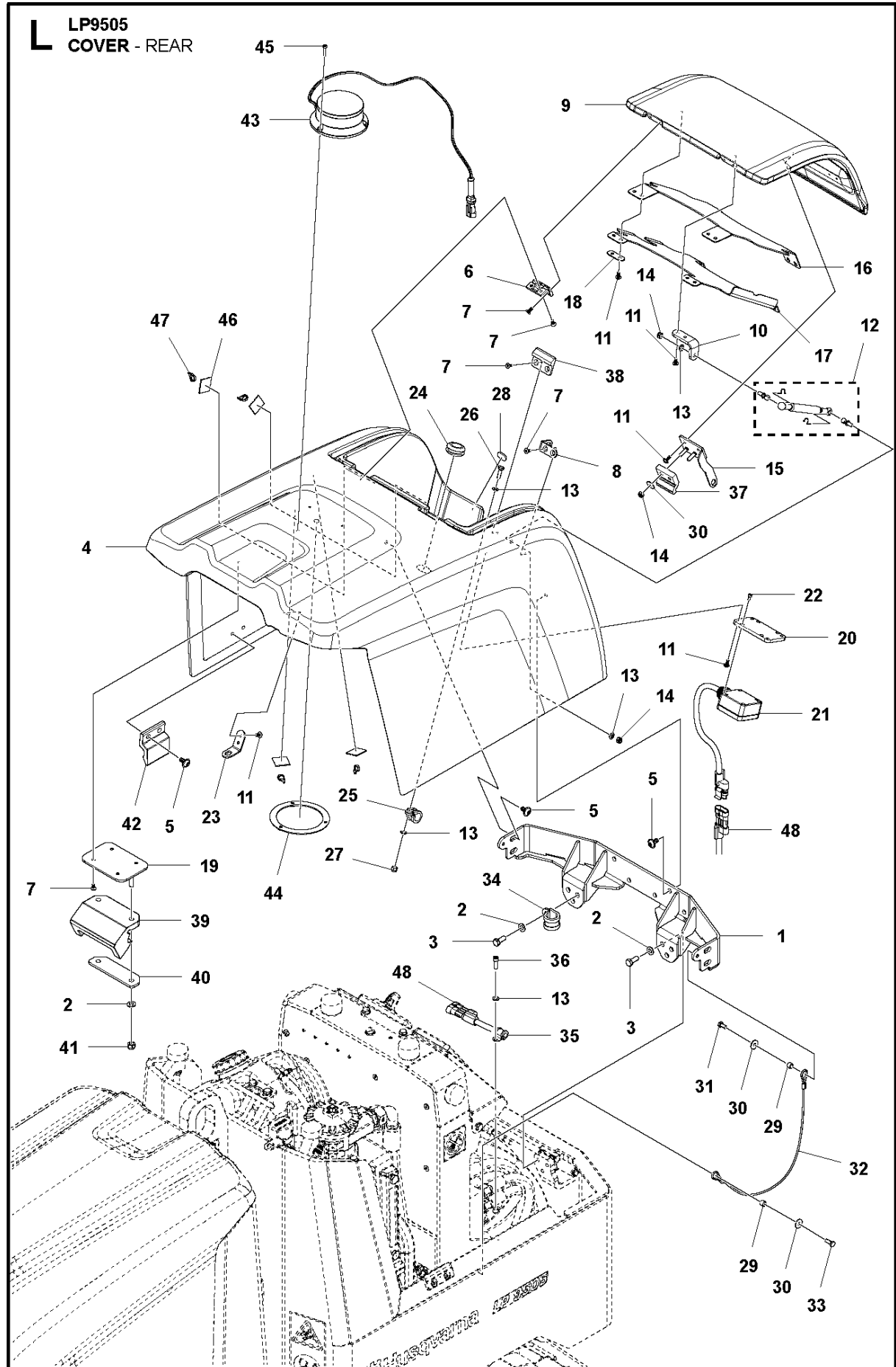
Ref	Part No	Description	Remark	QTY KIT
1	596 38 47-01	ENGINE	ENGINE Diesel engine Kubota D1105-E4-ACP-X	1
2	596 36 50-01	HOUSING	HOUSING Flywheel housing	1
3	596 88 97-21	SCREW	SCREW Hex. Sock. MC6S M8x70 8.8 fzb	2
4	594 12 04-01	SOCKET	SOCKET Hexagon, Screw	6
5	595 03 66-01	WASHER	WASHER	10
6	596 36 49-01	COUPLING	COUPLING	1
7	596 88 97-16	SCREW	SCREW Hex. Head Fine Pitch M6S M10x1.25	3
8	595 11 33-01	WASHER	WASHER	22
9	596 37 35-01	PUMP	PUMP Double pump	1
10	596 36 93-01	FITTING	FITTING Flange fitting	1
11	596 36 91-01	FITTING	FITTING Flange fitting	2
12	594 12 07-01	SCREW	SCREW Hex. Sock	2
13	594 74 73-01	WASHER	WASHER 10.5 X 22 X 4 MM	2
14	596 36 45-01	FAN	FAN	1
15	596 69 50-08	SCREW	HEX. HEAD SCREW	3
16	595 03 65-01	PLANE WASHER	WASHER Plain	6
17	596 37 38-01	FAN	FAN Fan hub	1
18	596 88 97-17	SCREW	SCREW Hex. Head Fine Pitch M6S M10x1.25	3
19	596 37 75-01	STAND	STAND Engine stand	1
20	596 38 09-01	STAND	STAND Engine stand	3
21	596 88 97-15	SCREW	SCREW Hex. Head Fine Pitch M6S M10x1.25	16
22	595 11 03-01	SCREW	SCREW	8
23	595 11 30-01	WASHER	WASHER	8
24	596 88 92-01	NIPPLE	NIPPLE ELBOW 90° UNF 9/16-18 - M18x1.5	1
25	595 35 20-01	LOCK NUT	LOCK NUT M6	1
26	596 38 37-01	FUEL HOSE	FUEL HOSE	1
27	596 38 35-01	FUEL HOSE	FUEL HOSE	1
28	596 89 14-01	HOSE CLAMP	HOSE CLAMP Ø12.7-16	10
29	596 38 35-01	FUEL HOSE	FUEL HOSE	1
30	596 38 51-01	ELBOW	ELBOW Swivel elbow	2
31	597 49 37-01	BRACKET	FUEL FILTER BRACKET	1
32	597 44 80-01	FUEL FILTER	FUEL FILTER ELEMENT	1
33	596 38 35-01	FUEL HOSE	FUEL HOSE	1
34	597 44 86-01	FUEL PUMP	HYDRAULIC PUMP	1 1
35	596 38 35-01	FUEL HOSE	FUEL HOSE	1
36	597 44 80-03	FUEL FILTER	FUEL FILTER	1 1
37	596 37 30-01	HOSE	HOSE Oil drain hose	1
38	596 88 93-12	NIPPLE	NIPPLE STRAIGHT M12x1.25 - M18x1.5	1
39	596 89 36-01	UNIT	UNIT Bulk Head Union M18x1.5	1
40	596 88 91-01	NUT	NUT M18x1,5	1
41	596 89 13-02	PIPE CLAMP	PIPE CLAMP Covered Ø10, M6	1
42	594 12 56-01	PIPE CLAMP	PIPE CLAMP	1
43	595 34 42-01	SCREW	SCREW	2
44	596 89 13-01	PIPE CLAMP	PIPE CLAMP Covered Ø10, M8	1
45	594 12 53-01	PIPE CLAMP	PIPE CLAMP COVERED	1
46	595 35 23-01	NUT	NUT LOCK	2



FRAME

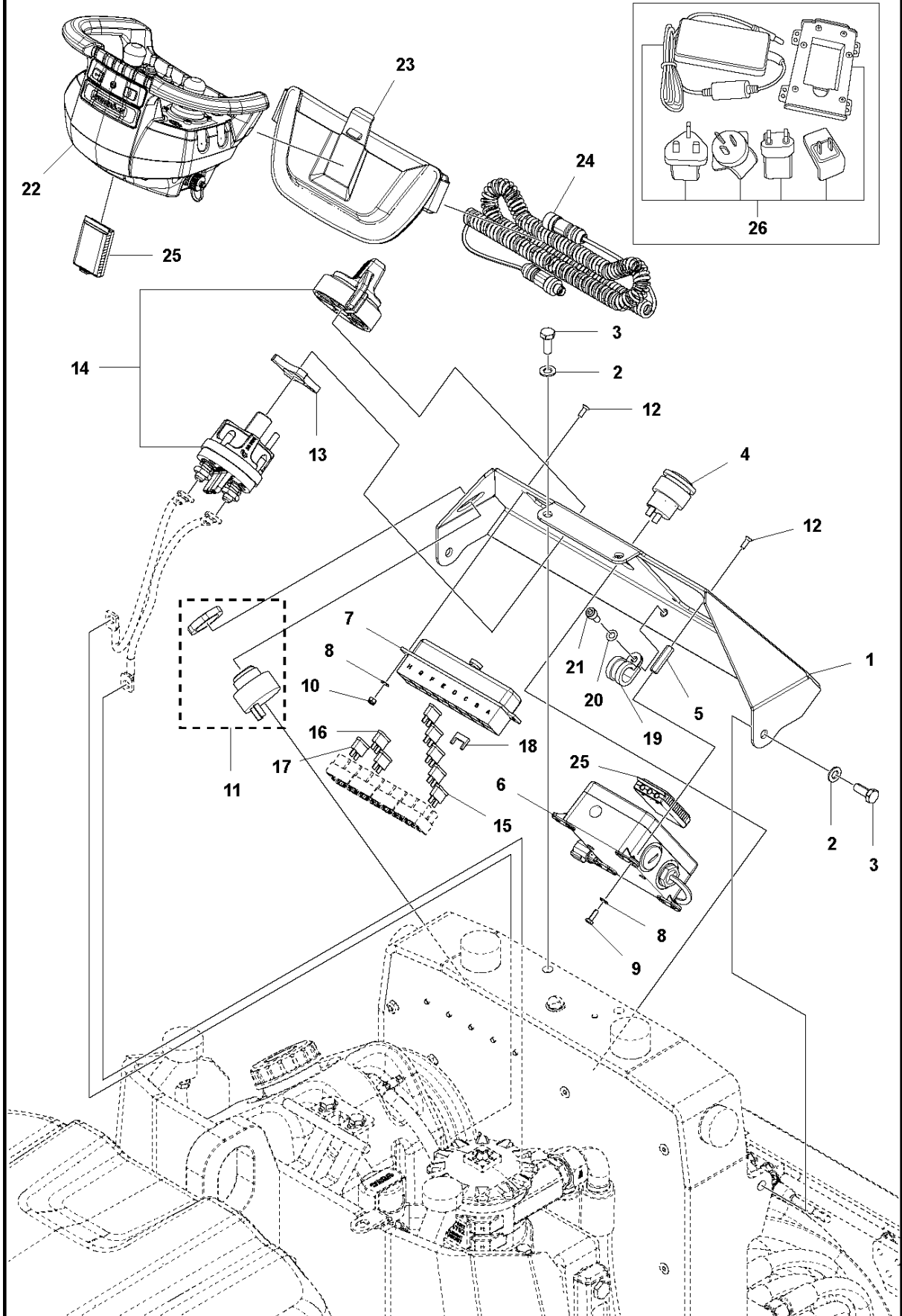
LP 9505, 967950801, 2022-06

Ref	Part No	Description	Remark	QTY	KIT
1	596 38 10-01	FRAME	FRAME Front frame	1	
2	596 88 59-01	BRACKET	BRACKET Hook bracket lower	1	
3	596 88 60-01	BRACKET	BRACKET Hook bracket top	1	
4	595 03 66-01	WASHER	WASHER	2	
5	594 11 79-01	SCREW	SCREW	2	
6	596 37 95-01	BRACKET	BRACKET Support bracket	2	
7	596 38 15-01	HUB	HUB Clamping Hub	2	
8	596 37 61-01	SHAFT	SHAFT	1	
9	595 03 66-01	WASHER	WASHER	11	
10	595 34 43-01	SCREW	SCREW	4	
11	596 38 05-01	HINGE	HINGE	1	
12	596 38 06-01	HINGE	HINGE	1	
13	596 38 31-01	DAMPER	DAMPER Rubber damper	2	
14	596 37 88-01	BRACKET	BRACKET Bracket Rubber Dampers	1	
15	596 38 03-01	BRACKET	BRACKET Bracket rubber damper	1	
16	596 37 89-01	BRACKET	BRACKET Bracket Rubber Damper	2	
17	596 37 41-01	DAMPER	DAMPER Rubber damper	1	
18	595 03 34-01	SCREW	SCREW	4	
19	595 11 01-01	SCREW	SCREW	5	
20	595 11 34-01	WASHER	WASHER	14	
21	595 03 67-01	WASHER	WASHER	3	
22	596 88 97-12	SCREW	SCREW Hex. Head M6S M16x30 8.8 fzb	2	
23	594 11 91-01	SCREW	SCREW	12	
24	597 44 89-01	DEFLECTOR	DEFLECTOR	1	
25	595 34 53-01	SCREW	SCREW Hex. Head	4	
26	596 38 38-01	BUSHING	BUSHING	2	
27	596 37 84-01	HOOK	HOOK	1	
28	595 03 61-01	LOCK NUT	LOCK NUT	1	
29	596 39 32-01	LATCH	LATCH Indexing plunger	1	
30	596 37 99-01	LOOP	LOOP Padlock loop	1	
31	594 12 38-01	PLANE WASHER	PLANE WASHER	2	
32	595 28 70-01	BOLT	BOLT Hexagon	2	
33	596 37 66-01	STRAP	STRAP	2	
34	594 12 40-01	WASHER	WASHER 13X36X6 FZB	4	
35	595 34 52-01	BOLT	BOLT Hexgon	4	
36	598 14 15-01	BEARING	BEARING	4	
37	596 88 89-02	RING	RING Retaining Type RS, size 7	2	
38	596 88 58-01	SUPPORT	SUPPORT Hood	2	
39	597 44 75-02	SCREW	6-P. SOCK SCREW	4	
40	595 35 20-01	LOCK NUT	LOCK NUT M6	4	
41	597 44 90-01	JOINT	ARTICULATING JOINT	2	
42	596 36 30-01	JOINT	JOINT Main joint part	2	41
43	596 36 31-01	JOINT	JOINT Joint part	2	41
44	596 37 40-01	JOINT	JOINT Joint shaft	2	41
45	596 38 19-01	BEARING	BEARING Radial spherical plain bearing	2	41
46	596 88 87-01	CIRCLIP	CIRCLIP Ø55	2	41
47	595 04 40-01	WASHER	WASHER Lock	4	41
48	596 88 97-13	SCREW	SCREW Hex. Head M6S M16x45 8.8 fzb	4	41
49	596 88 97-22	SCREW	SCREW Hex. Sock. MC6S M16x50 8.8 fzb	4	41
50	595 03 67-01	WASHER	WASHER	2	41
51	595 03 61-01	LOCK NUT	LOCK NUT	2	41
52	597 44 81-02	CAP	GREASE NIPPLE CAP	2	41
53	594 12 68-01	LUBRICATION NIPPLE	LUBRICATION NIPPLE Grease	2	41
54	597 49 36-01	DECAL	DECAL REFLECTIVE, WHITE	2	



Ref	Part No	Description	Remark	QTY KIT
1	596 38 04-01	SUPPORT	SUPPORT Hood support	1
2	595 03 66-01	WASHER	WASHER	8
3	594 11 79-01	SCREW	SCREW	6
4	595 91 63-01	HOOD	HOOD Rear hood	1
5	596 38 42-01	SCREW	SCREW Screw	14
6	596 38 44-01	HINGE	HINGE Hinge	2
7	596 38 43-01	SCREW	SCREW Screw	16
8	596 37 83-01	LOOP	LOOP Padlock loop	1
9	595 91 64-01	HATCH	HATCH Hatch	1
10	596 37 81-01	BRACKET	BRACKET Gas damper bracket	1
11	596 38 41-01	SCREW	SCREW Screw	18
12	596 38 45-01	GAS SPRING	GAS SPRING Gas spring	1
13	595 03 65-01	PLANE WASHER	WASHER Plain	5
14	595 35 20-01	LOCK NUT	LOCK NUT M6	4
15	596 37 82-01	LOOP	LOOP Padlock loop	1
16	596 38 02-01	HOLDER	HOLDER Document holder	1
17	596 38 01-01	HOLDER	HOLDER Document holder	1
18	596 37 87-01	SPACER	SPACER Spacer	4
19	596 38 17-01	BRACKET	BRACKET Latch bracket	1
20	596 37 69-01	BRACKET	BRACKET Sensor bracket	1
21	596 36 66-01	SENSOR	SENSOR Rear MDS	1
22	596 69 51-29	SCREW	SCREW HEX. SOCK. SCREW	4
23	596 38 00-01	LOOP	LOOP Padlock loop	1
24	596 38 46-01	GROMMET	GROMMET Grommet	1
25	594 12 56-01	PIPE CLAMP	PIPE CLAMP	1
26	595 10 98-01	SCREW	SCREW	1
27	595 03 60-01	LOCK NUT	LOCK NUT	1
28	596 91 19-01	PAD	PAD Adhesive Rubber	2
29	596 37 60-01	SLEEVE	SLEEVE Distance Sleeve	2
30	595 03 64-01	WASHER	WASHER	4
31	595 34 42-01	SCREW	SCREW	2
32	596 37 45-01	WIRE	WIRE Hood wire	1
33	595 03 32-01	SCREW	SCREW	1
34	595 11 47-01	CLAMP	CLAMP	1
35	596 89 13-02	PIPE CLAMP	PIPE CLAMP Covered Ø10, M6	1
36	595 34 80-01	SCREW	SCREW	1
37	596 37 63-01	CLIP	CLIP Clip	1
38	596 37 62-01	LOCK	LOCK Hatch lock	1
39	596 37 64-01	GRIP	GRIP Rubber grip	1
40	596 38 16-01	BRACKET	BRACKET Bracket	1
41	595 35 23-01	NUT	NUT	2
42	596 37 65-01	SUPPORT	SUPPORT Hood support	2
43	596 88 56-01	LIGHT	LIGHT Warning light	1
44	596 88 64-01	BRACKET	BRACKET Warning light	1
45	594 53 12-01	SCREW	SCREW M4x20	3
46	596 88 67-01	MOUNT	MOUNT Cable tie	4
47	594 12 60-01	CABLE	CABLE Tie	4
48	596 36 69-01	CABLE	CABLE OPS connection cable	1

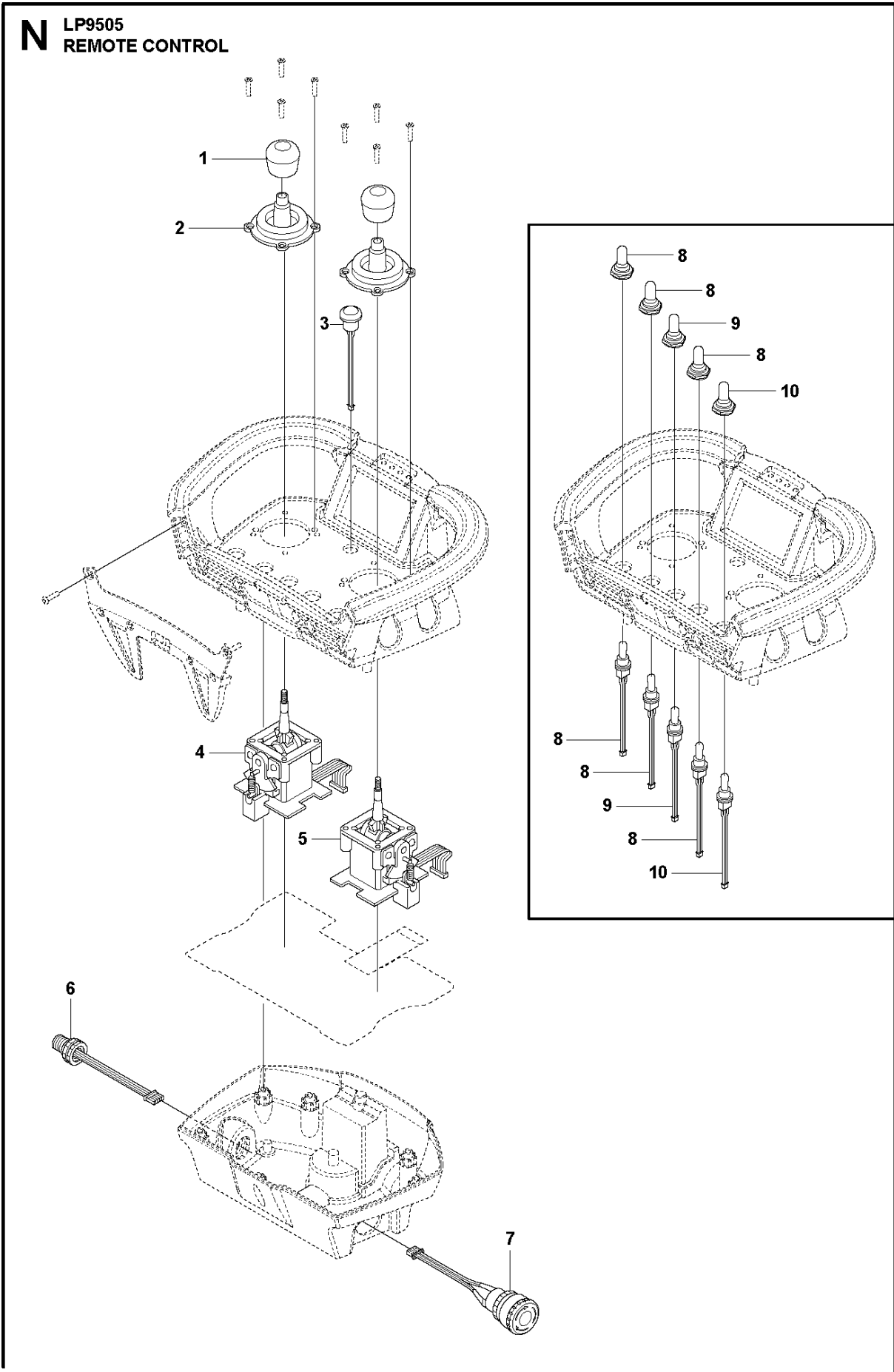
M LP9505
CONTROL PANEL - PANEL, FUSES, RADIO TRANSMITTER & BATTERY



CONTROL PANEL

LP 9505, 967950801, 2022-06

Ref	Part No	Description	Remark	QTY KIT
1	596 37 79-01	COVER	COVER Console cover	1
2	595 03 66-01	WASHER	WASHER	4
3	594 11 79-01	SCREW	SCREW	4
4	595 21 45-01	SOCKET	POWER SOCKET	1
5	596 88 91-03	NUT	NUT Spacing M4x9, L=30	4
6	596 36 75-01	BATTERY CHARGER	BATTERY CHARGER	1
7	596 36 58-01	FUSE HOLDER	FUSE HOLDER	1
8	595 11 32-01	WASHER	WASHER	6
9	596 88 97-04	SCREW	SCREW Hex. Head M6S M4x12 8.8 fzb	4
10	595 35 19-01	LOCK NUT	LOCK NUT M4 CL6 DIN 985	2
11	594 46 34-01	BUZZER	BUZZER	1
12	595 03 53-01	SCREW	COUNTERSUNK HEX. SOCK. SCREW	6
13	596 37 98-01	SPACER	SPACER	1
14	596 36 61-01	BATTERY	BATTERY Battery disconnecter	1
15	596 36 54-01	FUSE	FUSE 7.5 A	5
16	595 18 55-01	FUSE	FUSE 5 A	2
17	595 46 90-01	FUSE	FUSE 10 A	1
18	596 36 55-01	BRIDGE	CONTACT BRIDGE	6
19	594 12 56-01	PIPE CLAMP	PIPE CLAMP	1
20	595 03 65-01	PLANE WASHER	WASHER Plain	1
21	595 34 79-01	SOCKET	SOCKET Hex. Screw	1
22	596 36 76-01	REMOTE CONTROL	TRANSMISSION Radio transmitter	1
23	596 36 77-01	BELT	TRANSMISSION Belt radio transmitter	1
24	594 86 89-01	CABLE	CONTROL CABLE	1
25	596 36 79-01	BATTERY	BATTERY REMOTE CONTROL	2
26	594 19 52-02	CHARGER		1

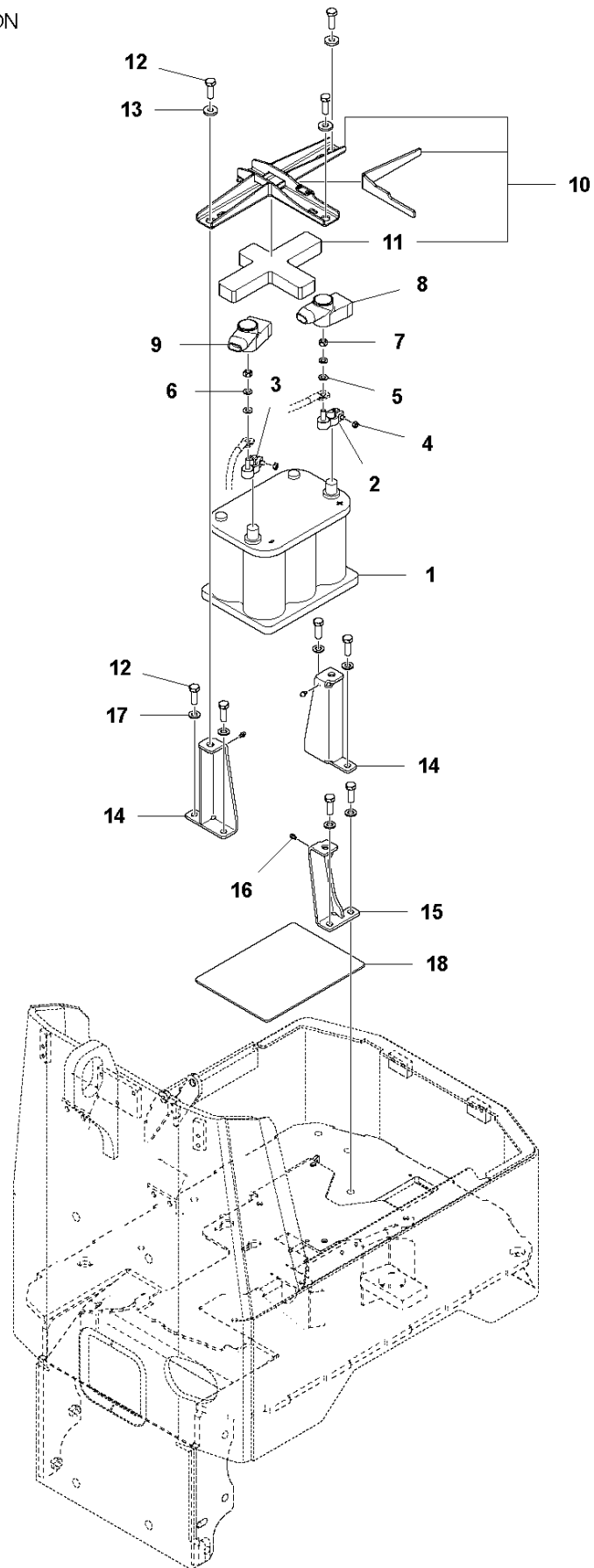
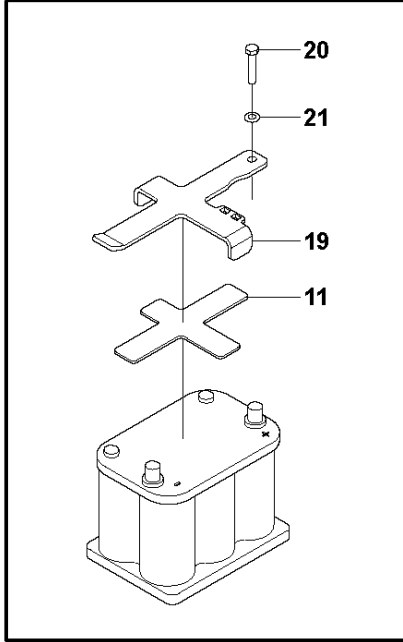


REMOTE CONTROL

LP 9505, 967950801, 2022-06

Ref	Part No	Description	Remark	QTY KIT
1	599 26 05-01	KNOB		2
2	599 26 06-01	BELLOWS		2
3	599 25 62-01	SWITCH		1
4	599 25 63-02	JOYSTICK	Y-axis	1
5	599 25 63-01	JOYSTICK		1
6	599 90 71-01	CONTACT		1
7	536 08 56-01	STOP SWITCH		1
8	599 25 62-02	SWITCH		3
9	599 25 62-03	SWITCH		1
10	599 25 62-04	SWITCH		1

LP9505
BATTERY - BATTERY INSTALLATION

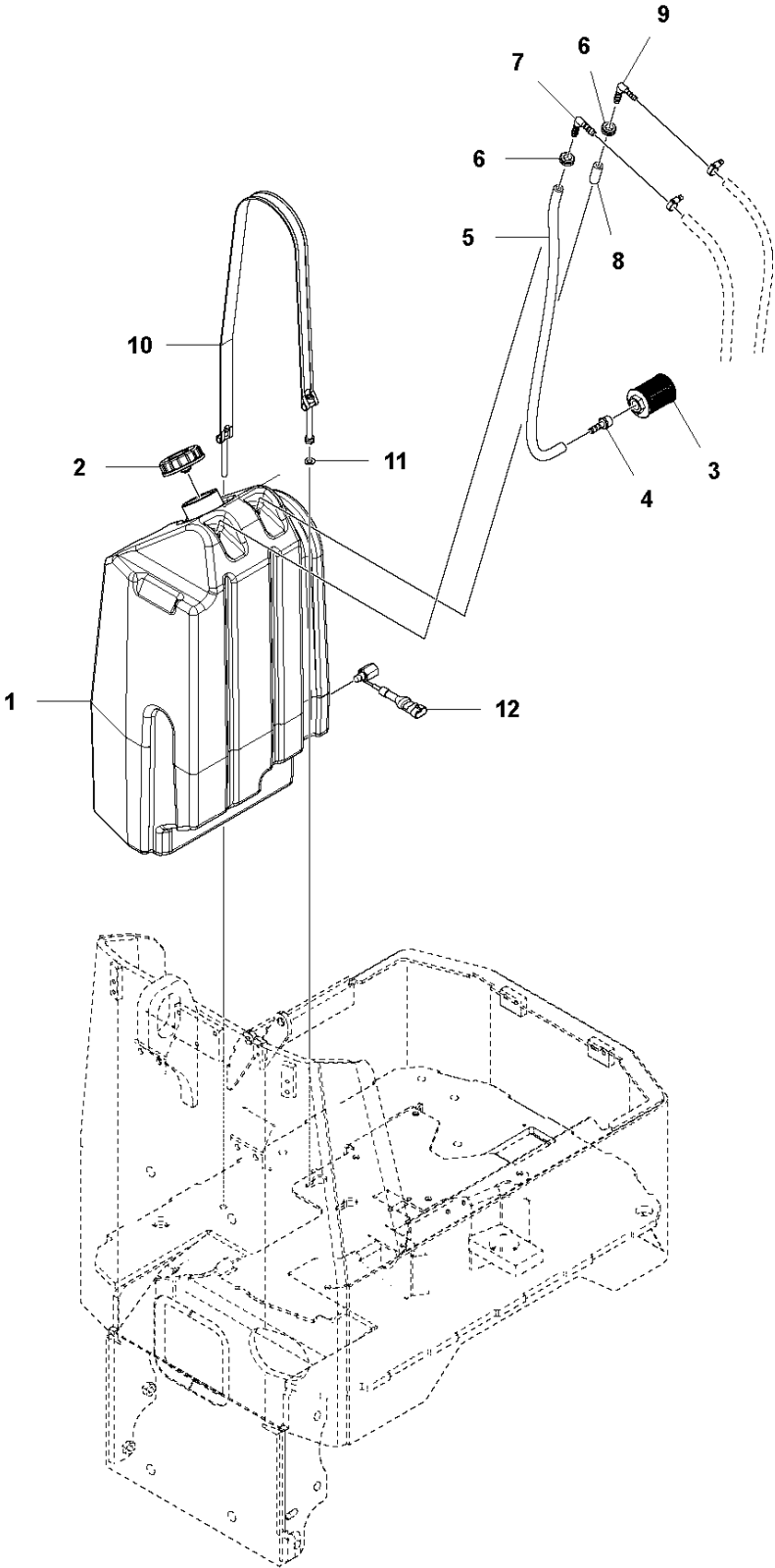


BATTERY

LP 9505, 967950801, 2022-06

Ref	Part No	Description	Remark	QTY	KIT
1	594 48 59-01	BATTERY	BATTERY	1	
2	596 36 80-01	TERMINAL	BATTERY TERMINAL +	1	
3	596 36 81-01	TERMINAL	BATTERY TERMINAL -	1	
4	595 28 75-01	HEXAGON NUT	HEXAGON NUT	2	
5	595 03 66-01	WASHER	WASHER	2	
6	597 44 83-01	SPRING WASHER	SPRING WASHER	2	
7	595 03 57-01	NUT	NUT Hexagon	2	
8	596 36 82-01	TERMINAL	TERMINAL Battery terminal cover +	1	
9	596 36 83-01	TERMINAL	TERMINAL Battery terminal cover -	1	
10	594 49 39-01	SPRING	BATTERY TOP BRACKET ASM. Up to SN 20210600251	1	
11	596 91 20-01	INSULATION	BATTERY INSULATION - INSULATION Battery	1	10
12	594 11 85-01	BOLT	BOLT, up to SN 20210600251	9	
13	597 44 85-01	WASHER	WASHER, up to SN 20210600251	3	
14	596 88 61-01	BRACKET	MOUNT BRACKET 1 ASM. Up to SN 20210600251	2	
15	597 44 82-02	BRACKET	MOUNT BRACKET 2 ASM. Up to SN 20210600251	1	
16	596 91 23-01	DAMPER	DAMPER Rubber, up to SN 20210600251	3	
17	595 11 33-01	WASHER	WASHER, up to SN 20210600251	6	
18	596 91 22-01	BATTERY	BATTERY Damping	1	
19	529 45 16-05	PLATE	From SN 20210600251	1	
20	725 25 01-71	SCREW EHHM	M10X50 HEX FT, From SN 20210600251	1	
21	595 11 33-01	WASHER	From SN 20210600251	1	

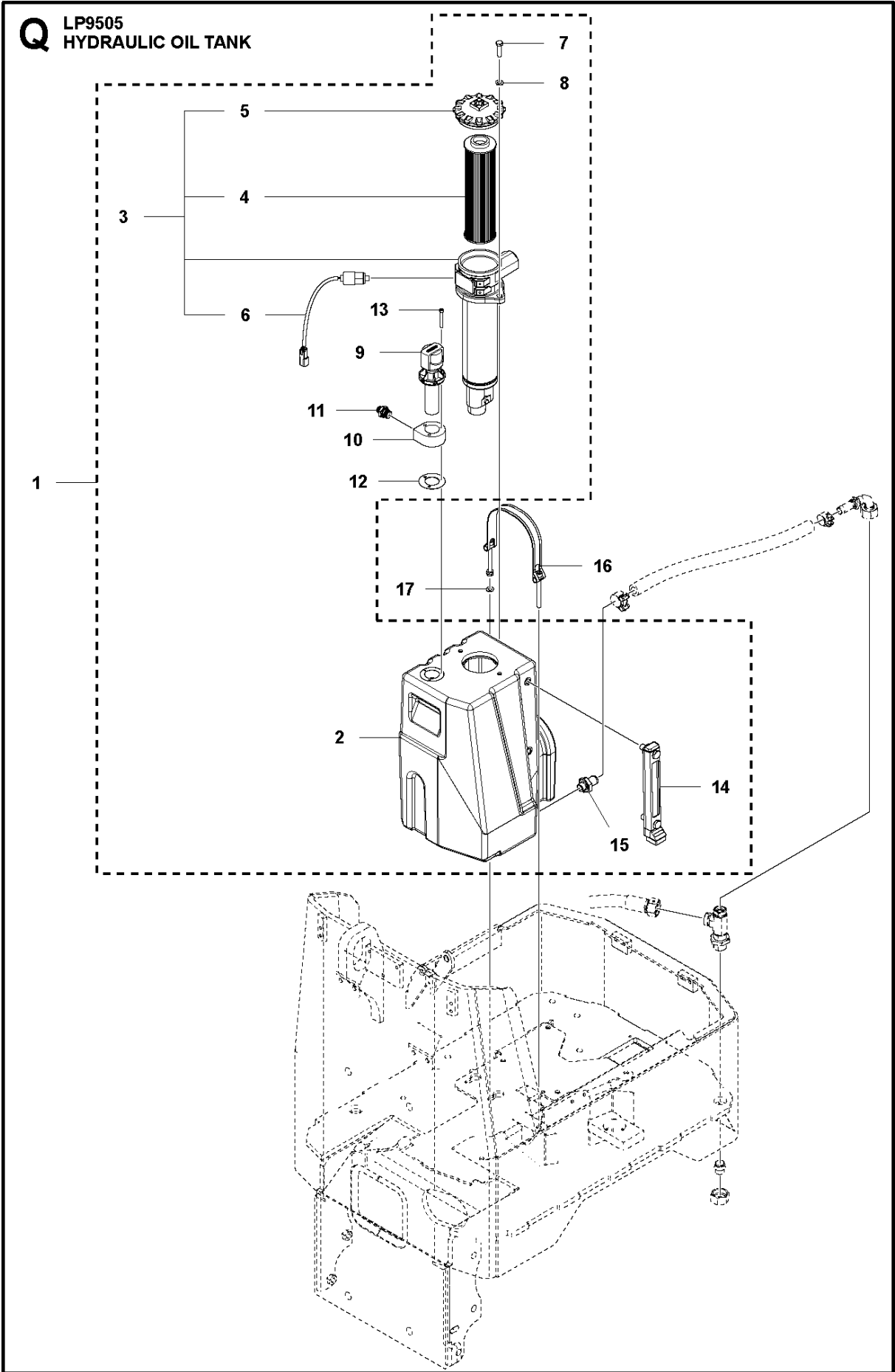
P LP9505
FUEL TANK



FUEL TANK

LP 9505, 967950801, 2022-06

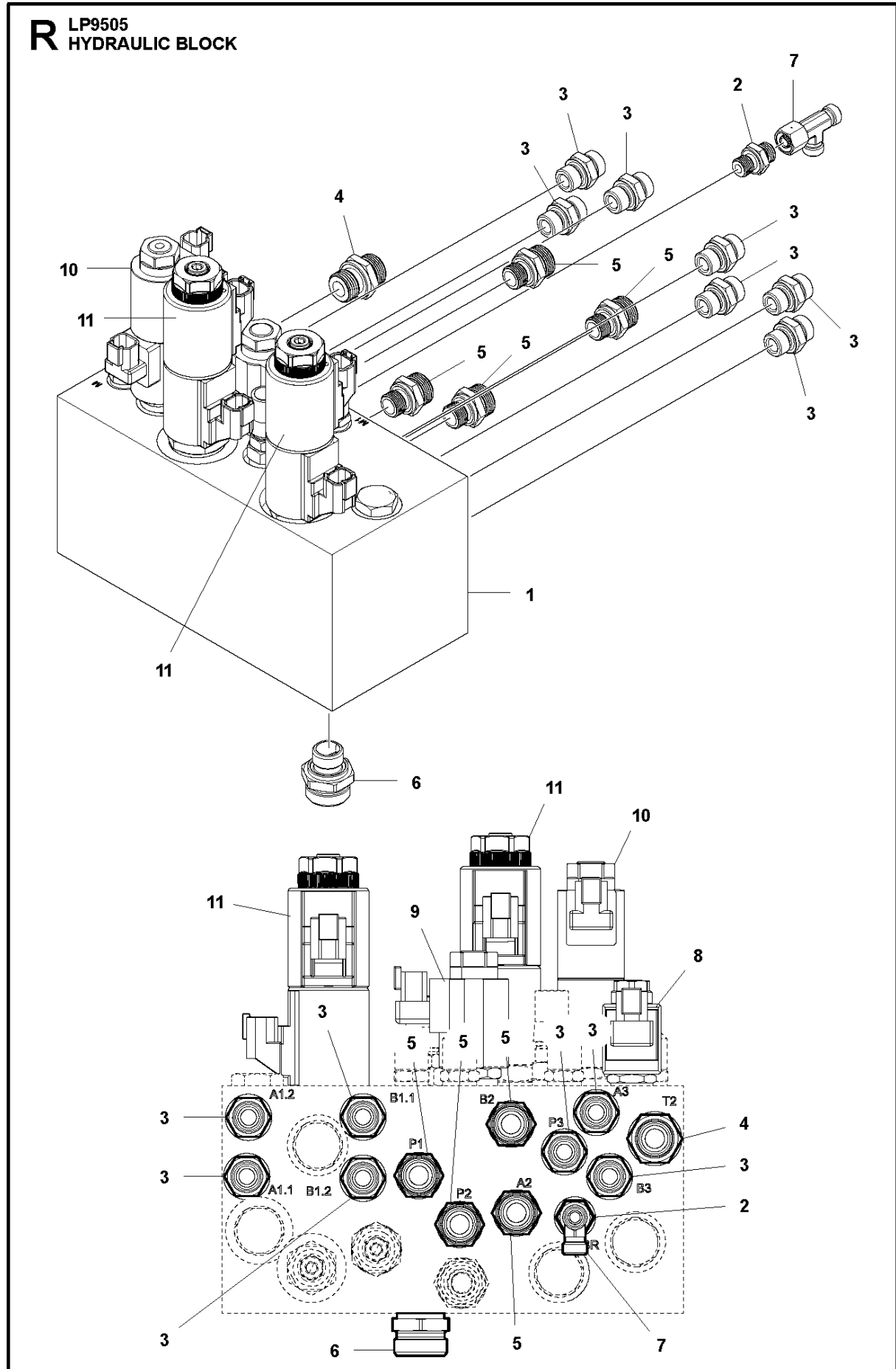
Ref	Part No	Description	Remark	QTY KIT
1	596 37 70-01	FUEL TANK	FUEL TANK	1
2	596 38 24-01	LID	LID Fuel tank lid	1
3	596 38 22-01	STRAINER	STRAINER Fuel strainer	1
4	596 38 23-01	HOSE	HOSE Hose barb	1
5	596 38 36-01	FUEL HOSE	FUEL HOSE	1
6	596 38 25-01	GROMMET	GROMMET	2
7	596 38 26-01	ELBOW	ELBOW 8-8mm	1
8	596 38 36-01	FUEL HOSE	FUEL HOSE	1
9	596 38 27-01	ELBOW	ELBOW 8-6mm	1
10	596 38 20-01	CLAMP	CLAMP FUEL TANK	1
11	595 03 66-01	WASHER	WASHER	1
12	596 36 64-01	SENSOR	SENSOR Fuel level sensor	1



HYDRAULIC OIL TANK

LP 9505, 967950801, 2022-06

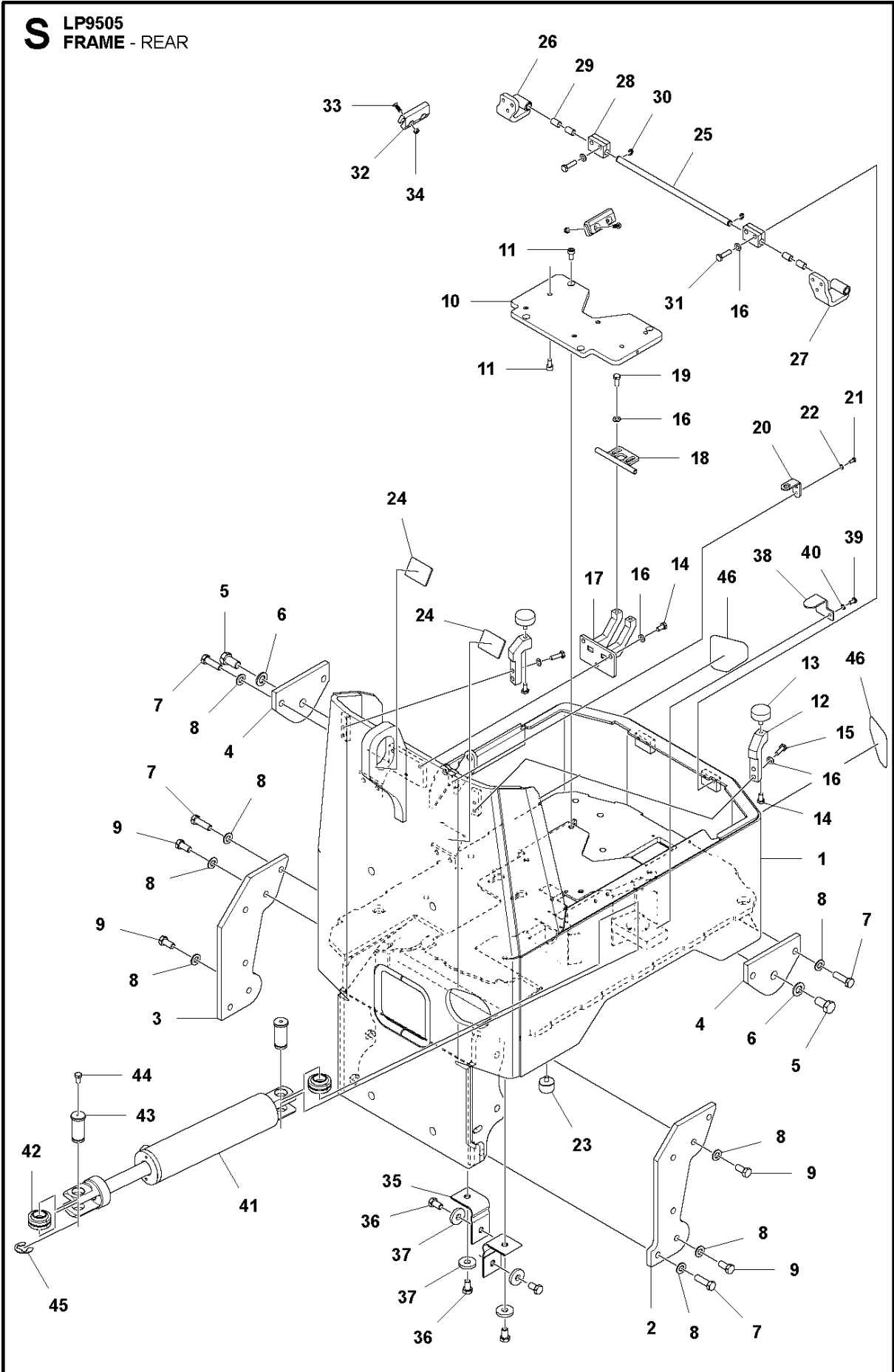
Ref	Part No	Description	Remark	QTY KIT	
1	597 44 91-01	HYDRAULIC TANK ASSY	HYDRAULIC OIL TANK ASSY	1	
2	596 37 71-01	HYDRAULIC TANK	HYDRAULIC OIL TANK	1	1
3	596 36 88-01	FILTER	HYDRAULIC OIL FILTER ASSY	1	1
4	597 44 93-01	OIL FILTER	HYDRAULIC OIL FILTER	1	1, 3
5	597 44 81-03	CAP	PLASTIC CAP HYRDAULIC FILTER	1	1, 3
6	596 36 89-01	INDICATOR	INDICATOR Oil filter indicator	1	1, 3
7	595 34 43-01	SCREW	SCREW	2	1
8	595 03 66-01	WASHER	WASHER	2	1
9	596 36 86-01	FILTER	FILTER Breather filter	1	1
10	596 37 57-01	FILTER	FILTER Filter adapter	1	1
11	596 88 93-08	NIPPLE	NIPPLE STRAIGHT G3/8 - M14x1.5	1	1
12	596 37 58-01	SEALING	SEALING	1	1
13	596 88 97-18	SCREW	SCREW Hex. Sock. MC6S M5x40 8.8 fzb	3	1
14	596 36 87-01	GUIDE	GUIDE Level glass	1	1
15	596 36 90-01	FITTING	FITTING Hose fitting	1	1
16	596 38 21-01	CLAMP	CLAMP HYDRAULIC OIL TANK	1	
17	595 03 66-01	WASHER	WASHER	1	



HYDRAULIC BLOCK

LP 9505, 967950801, 2022-06

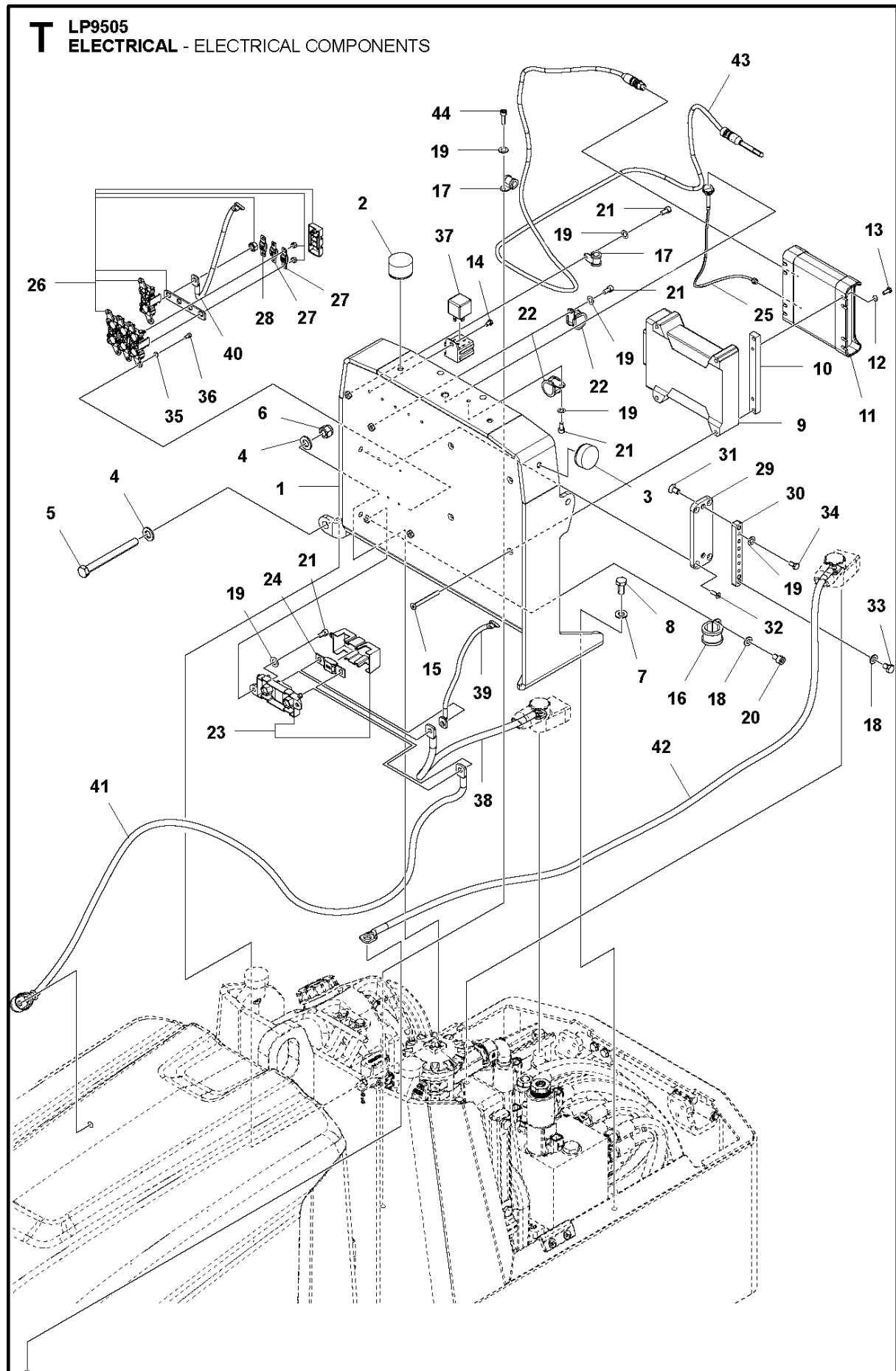
Ref	Part No	Description	Remark	QTY KIT
1	596 37 36-01	BLOCK	BLOCK Control block	1
2	596 88 93-01	NIPPLE	NIPPLE STRAIGHT G1/4 - M14x1.5	1
3	595 97 54-01	FITTING	STRAIGHT FITTING G3/8 - M18x1.5	7
4	596 88 93-03	NIPPLE	NIPPLE STRAIGHT G1/2 - M22x1.5	1
5	596 88 93-05	NIPPLE	NIPPLE STRAIGHT G3/8 - M22x1.5	4
6	596 88 93-02	NIPPLE	NIPPLE STRAIGHT G1/2 - M30x2	1
7	596 88 95-01	NIPPLE	NIPPLE L JOINT M14x1,5	1
8	536 79 86-01	SOLENOID		1
9	536 79 90-01	SOLENOID		1
10	536 79 92-01	SOLENOID		1
11	536 79 93-01	SOLENOID		1



FRAME

LP 9505, 967950801, 2022-06

Ref	Part No	Description	Remark	QTY KIT
1	596 37 90-01	FRAME	FRAME Rear frame	1
2	596 37 85-01	BRACKET	BRACKET Bracket rubber dampers	1
3	596 37 88-01	BRACKET	BRACKET Bracket rubber dampers	1
4	596 37 89-01	BRACKET	BRACKET Bracket Rubber Damper	2
5	596 88 97-12	SCREW	SCREW Hex. Head M6S M16x30 8.8 fzb	2
6	595 03 67-01	WASHER	WASHER	2
7	594 11 91-01	SCREW	SCREW	12
8	595 11 34-01	WASHER	WASHER	16
9	595 34 53-01	SCREW	SCREW Hex. Head	4
10	596 37 96-01	VALVE	VALVE Valve plate	1
11	595 03 44-01	SCREW	SCREW M8X16	4
12	596 37 95-01	BRACKET	BRACKET Support bracket	2
13	596 38 31-01	DAMPER	DAMPER Rubber damper	2
14	595 11 01-01	SCREW	SCREW	5
15	595 03 34-01	SCREW	SCREW	4
16	595 03 66-01	WASHER	WASHER	13
17	596 88 59-01	BRACKET	BRACKET Hook bracket lower	1
18	596 88 60-01	BRACKET	BRACKET Hook bracket top	1
19	594 11 79-01	SCREW	SCREW	2
20	596 37 99-01	LOOP	LOOP Padlock loop	1
21	595 28 70-01	BOLT	BOLT Hexagon	2
22	594 12 38-01	PLANE WASHER	PLANE WASHER	2
23	596 37 41-01	DAMPER	DAMPER Rubber damper	1
24	596 37 49-01	SUPPORT	SUPPORT Tank support	2
25	596 37 61-01	SHAFT	SHAFT	1
26	596 38 06-01	HINGE	HINGE	1
27	596 38 05-01	HINGE	HINGE	1
28	596 38 15-01	HUB	HUB Clamping Hub	2
29	598 14 15-01	BEARING	BEARING	4
30	596 88 89-02	RING	RING Retaining Type RS, size 7	2
31	595 34 43-01	SCREW	SCREW	4
32	596 88 58-01	SUPPORT	SUPPORT Hood	2
33	597 44 75-02	SCREW	6-P. SOCK SCREW	4
34	595 35 20-01	LOCK NUT	LOCK NUT M6	4
35	596 37 66-01	STRAP	STRAP	2
36	595 34 52-01	BOLT	BOLT Hexgon	4
37	594 12 40-01	WASHER	WASHER 13X36X6 FZB	4
38	596 37 76-01	SHAFT LOCK	SHAFT LOCK	1
39	595 34 42-01	SCREW	SCREW	1
40	595 03 65-01	PLANE WASHER	WASHER	1
41	596 36 94-01	HYDRAULIC CYLINDER	HYDRAULIC CYLINDER	1
42	596 38 18-01	BEARING	BEARING Radial spherical plain bearing	2
43	596 37 39-01	SHAFT	SHAFT	2
44	596 88 97-09	SCREW	SCREW Hex. Head M6S M8x16 8.8 ISO A2-70	1
45	596 88 89-01	RING	RING Retaining Type RS, size 19	1
46	597 49 36-02	DECAL	DECAL REFLECTIVE, RED	2



ELECTRICAL

LP 9505, 967950801, 2022-06

Ref	Part No	Description	Remark	QTY KIT
1	596 37 97-01	CONSOLE	CONSOLE	1
2	596 38 33-01	DAMPER	DAMPER Rubber damper	2
3	596 38 32-01	DAMPER	DAMPER Rubber damper	2
4	595 11 34-01	WASHER	WASHER	2
5	596 69 50-01	SCREW	SCREW HEX. HEAD SCREW	1
6	595 11 27-01	NUT	NUT LOCK	1
7	595 11 33-01	WASHER	WASHER	2
8	594 11 84-01	SCREW	SCREW Hex. Head	2
9	596 36 60-01	ELECTRICAL SYSTEM	ELECTRICAL SYSTEM ECU	1
10	595 21 32-01	BRACKET	BRACKET	2
11	596 36 63-01	UNIT	TRANSMISSION Radio receiver	1
12	594 12 38-01	PLANE WASHER	PLANE WASHER	4
13	595 28 70-01	BOLT	BOLT Hexagon	4
14	596 88 97-05	SCREW	SCREW Hex. Head M6S M5x8 8.8 fzb	5
15	596 89 12-04	SCREW	SCREW Countersunk Hex. Sock. MF6S M6x60	4
16	596 89 13-03	PIPE CLAMP	PIPE CLAMP Covered Ø25, M8	1
17	596 89 13-02	PIPE CLAMP	PIPE CLAMP Covered Ø10, M6	2
18	595 03 66-01	WASHER	WASHER	2
19	595 03 65-01	PLANE WASHER	WASHER Plain	12
20	596 88 97-19	SCREW	SCREW Hex. Sock. MC6S M8x12 8.8 fzb	1
21	595 34 79-01	SOCKET	SOCKET Hex. Screw	6
22	594 12 54-01	PIPE CLAMP	PIPE CLAMP	2
23	596 36 85-01	FUSE HOLDER	FUSE HOLDER	1
24	596 36 51-01	FUSE	FUSE 150A	1
25	596 36 78-01	ANTENNA	ANTENNA	1
26	596 36 59-01	FUSE HOLDER	FUSE HOLDER	1
27	596 36 52-01	FUSE	FUSE 30A	2
28	596 36 53-01	FUSE	FUSE 40A	1
29	596 37 68-01	BASE	BASE Busbar base	1
30	596 37 59-01	STRIP	STRIP Busbar strip	1
31	596 89 12-03	SCREW	SCREW Countersunk Hex. Sock. MF6S M8x16	2
32	595 11 15-01	SCREW	COUNTERSUNK HEX. SOCK. SCREW MF6S M5x16 8.8 FZB	4
33	596 88 97-07	SCREW	SCREW Hex. Head M6S M8x12 8.8 fzb	1
34	595 34 42-01	SCREW	SCREW	6
35	595 11 32-01	WASHER	WASHER	8
36	596 69 51-29	SCREW	SCREW HEX. SOCK. SCREW	8
37	596 36 57-01	RELAY	RELAY	5
38	596 36 70-01	CABLE	CABLE Connection cable	1
39	596 36 71-01	CABLE	CABLE Connection cable	1
40	596 36 72-01	CABLE	CABLE Connection cable	1
41	596 36 73-01	CABLE	CABLE Connection cable	1
42	596 36 74-01	CABLE	CABLE Connection cable	1
43	596 36 84-01	CABLE	CABLE M12 MULTI-CORE	1
44	595 34 80-01	SCREW	SCREW HEX SOCK	1

U LP9505
WIRING HARNESS

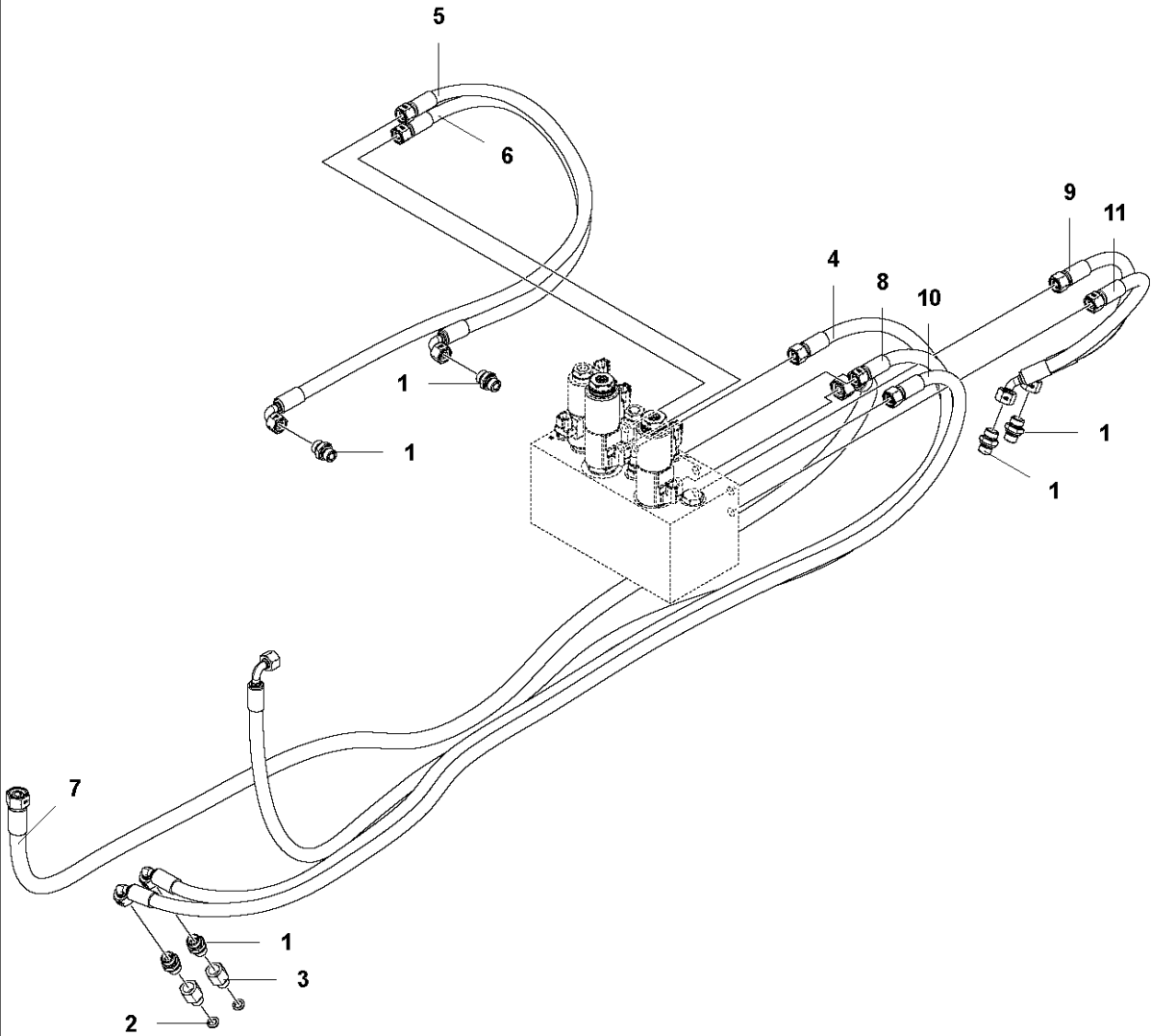


WIRING HARNESS

LP 9505, 967950801, 2022-06

Ref	Part No	Description	Remark	QTY KIT
1	596 36 68-01	CABLE	CABLE HARNESS	1

V LP9505
HYDRAULIC HOSES - STEERING AND PROPULSION SYSTEM

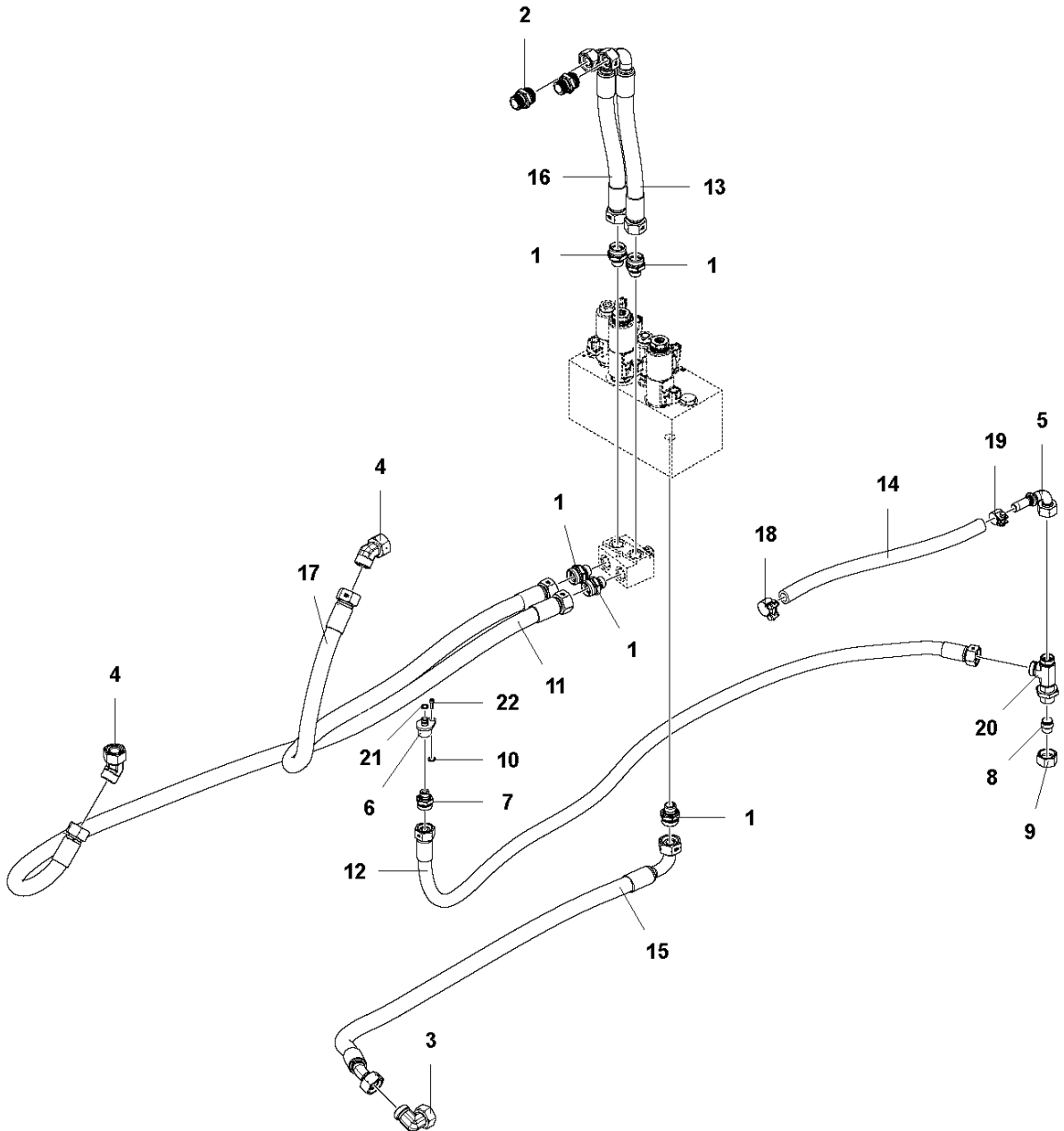


HYDRAULIC HOSES

LP 9505, 967950801, 2022-06

Ref	Part No	Description	Remark	QTY KIT
1	595 97 54-01	FITTING	STRAIGHT FITTING G3/8 - M18x1.5	6
2	595 35 48-01	WASHER	SEAL WASHER 0661 1000 00	2
3	595 11 72-01	CONNECTION	COUPLING 3/8-3/8	2
4	596 37 06-01	HYDRAULIC HOSE	HYDRAULIC HOSE	1
5	596 37 07-01	HYDRAULIC HOSE	HYDRAULIC HOSE	1
6	596 37 08-01	HYDRAULIC HOSE	HYDRAULIC HOSE	1
7	596 37 09-01	HYDRAULIC HOSE	HYDRAULIC HOSE	1
8	596 37 10-01	HYDRAULIC HOSE	HYDRAULIC HOSE	1
9	596 37 11-01	HYDRAULIC HOSE	HYDRAULIC HOSE	1
10	596 37 12-01	HYDRAULIC HOSE	HYDRAULIC HOSE	1
11	596 37 23-01	HYDRAULIC HOSE	HYDRAULIC HOSE	1

W LP9505
HYDRAULIC HOSES - SUCTION AND COOLING SYSTEM

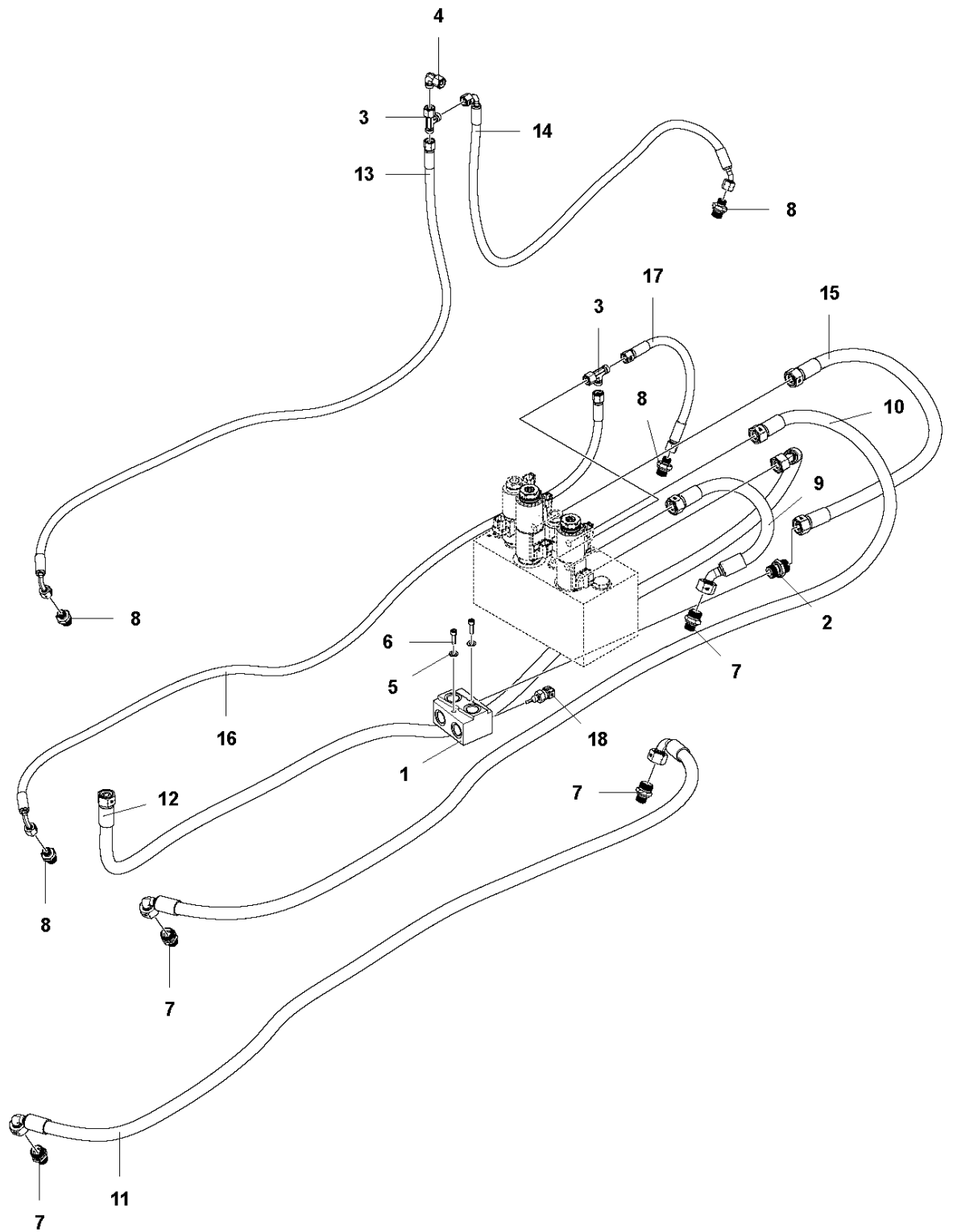


HYDRAULIC HOSES

LP 9505, 967950801, 2022-06

Ref	Part No	Description	Remark	QTY KIT
1	596 88 93-02	NIPPLE	NIPPLE STRAIGHT G1/2 - M30x2	5
2	596 88 93-04	NIPPLE	NIPPLE STRAIGHT G3/4 - M30x2	2
3	596 89 16-04	ELBOW	ELBOW SWIVEL 90° M30x2	1
4	596 89 16-07	ELBOW	ELBOW SWIVEL 45° M30x2	2
5	596 89 34-01	HOSE COUPLING	HOSE COUPLING DIN 90° 5/8 M26x1.5	1
6	596 37 43-01	FITTING	PUMP FITTING	1
7	596 88 93-06	NIPPLE	NIPPLE STRAIGHT G3/8 - M26x1.5	1
8	596 88 90-02	PLUG	PLUG Ø12	1
9	596 88 91-02	NUT	NUT M26x1.5	1
10	595 03 65-01	PLANE WASHER	PLAIN WASHER 0261 1090 00	1
11	596 37 21-01	HYDRAULIC HOSE	HYDRAULIC HOSE	1
12	596 37 22-01	HYDRAULIC HOSE	HYDRAULIC HOSE	1
13	596 37 24-01	HYDRAULIC HOSE	HYDRAULIC HOSE	1
14	596 37 29-01	HYDRAULIC HOSE	HYDRAULIC DRAIN HOSE	1
15	596 37 25-01	HYDRAULIC HOSE	HYDRAULIC HOSE	1
16	596 37 26-01	HYDRAULIC HOSE	HYDRAULIC HOSE	1
17	596 37 27-01	HYDRAULIC HOSE	HYDRAULIC HOSE	1
18	596 89 14-06	HOSE CLAMP	HOSE CLAMP Ø26-28	1
19	596 89 14-05	HOSE CLAMP	HOSE CLAMP Ø23-25	1
20	596 89 36-02	UNIT	UNIT Bulk Head Union M26x1.5	1
21	596 88 96-01	O-RING	O-RING Ø9.1x1.6	1
22	595 11 11-01	SCREW	SCREW HEX SOCKET MC6S M6x14 8.8 fzb	1

X LP9505
HYDRAULIC HOSES - VIBRATION, BRAKE AND RETURN SYSTEM

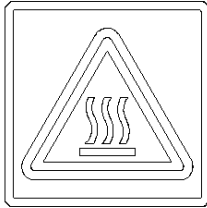


HYDRAULIC HOSES

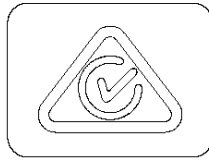
LP 9505, 967950801, 2022-06

Ref	Part No	Description	Remark	QTY KIT
1	596 37 55-01	BLOCK	HYDRAULIC BLOCK	1
2	596 88 93-03	NIPPLE	NIPPLE STRAIGHT G1/2 - M22x1.5	1
3	596 88 95-01	NIPPLE	NIPPLE L JOINT M14x1,5	2
4	596 89 16-01	ELBOW	ELBOW SWIVEL 90° M14x1,5	1
5	595 03 65-01	PLANE WASHER	PLAIN WASHER	2
6	595 34 80-01	SCREW	SCREW HEX SOCKET	2
7	596 88 93-05	NIPPLE	NIPPLE STRAIGHT G3/8 - M22x1.5	4
8	596 88 93-08	NIPPLE	NIPPLE STRAIGHT G3/8 - M14x1.5	4
9	596 37 13-01	HYDRAULIC HOSE	HYDRAULIC HOSE	1
10	596 37 14-01	HYDRAULIC HOSE	HYDRAULIC HOSE	1
11	596 37 15-01	HYDRAULIC HOSE	HYDRAULIC HOSE	1
12	596 37 28-01	HYDRAULIC HOSE	HYDRAULIC HOSE	1
13	596 37 16-01	HYDRAULIC HOSE	HYDRAULIC HOSE	1
14	596 37 17-01	HYDRAULIC HOSE	HYDRAULIC HOSE	1
15	596 37 18-01	HYDRAULIC HOSE	HYDRAULIC HOSE	1
16	596 37 19-01	HYDRAULIC HOSE	HYDRAULIC HOSE	1
17	596 37 20-01	HYDRAULIC HOSE	HYDRAULIC HOSE	1
18	596 36 56-01	SENSOR	SENSOR Hydraulic Temp Sensor	1

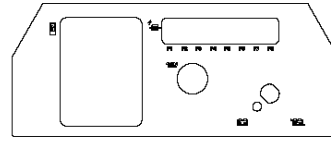
Y LP9505
DECALS



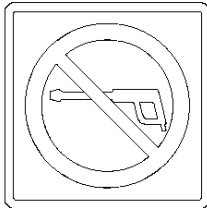
6



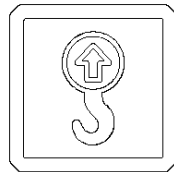
18



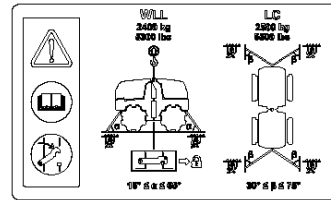
15



4



1



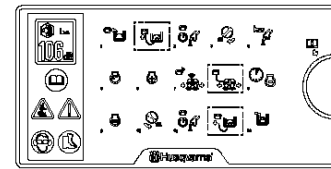
17



8



10



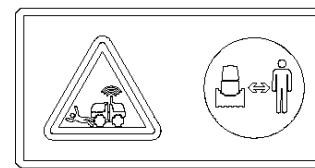
16



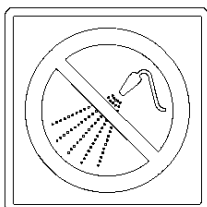
7



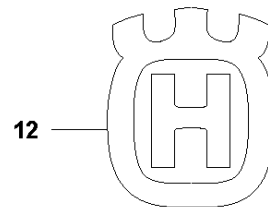
11



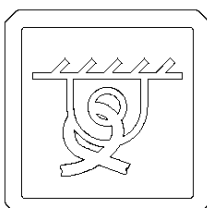
9



5



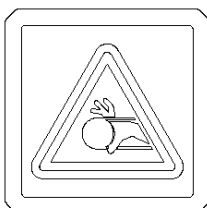
12



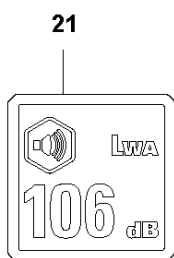
2



13



3

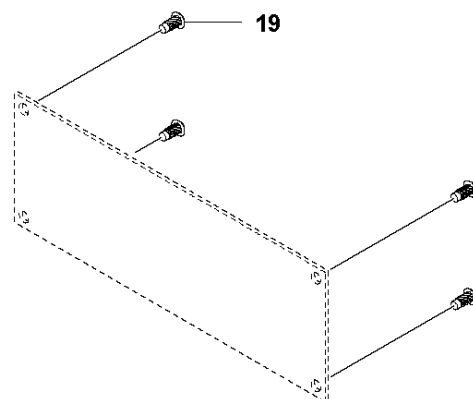


21




14

20



19

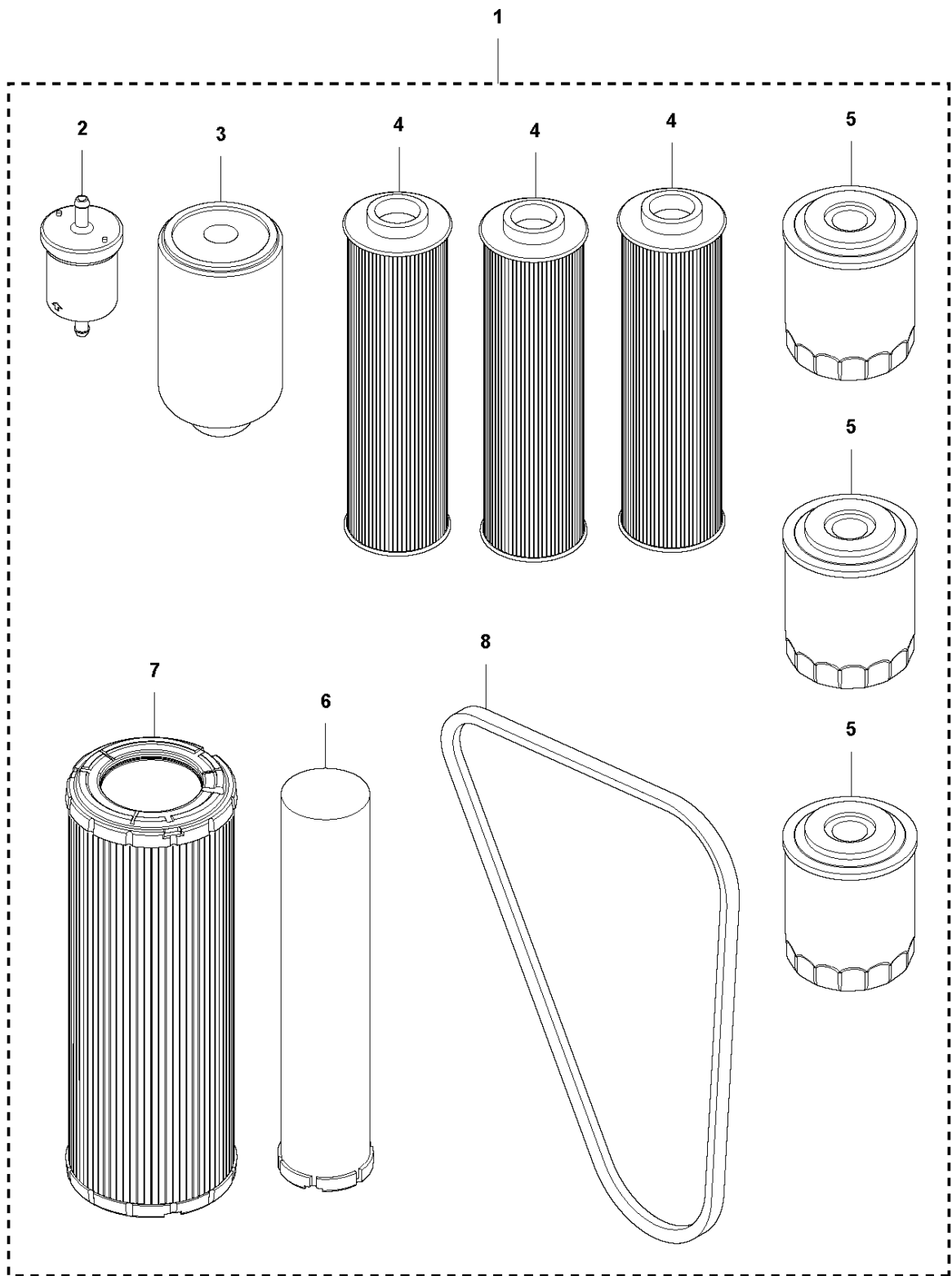
 **WARNING:** Cancer and Reproductive Harm - www.P65Warnings.ca.gov
ADVERTENCIA: Cáncer y daño reproductivo - www.P65Warnings.ca.gov
AVERTISSEMENT: Cancer et dommages à la reproduction - www.P65Warnings.ca.gov

DECALS

LP 9505, 967950801, 2022-06

Ref	Part No	Description	Remark	QTY KIT
1	594 66 09-01	LABEL	LABEL Lifting Point	2
2	594 86 95-01	LABEL	LABEL Securing Point	4
3	594 66 08-01	LABEL	LABEL Safety, Rotating V-Belts	2
4	597 44 73-01	DECAL	DO NOT PRESSURE WASH	2
5	597 44 73-02	DECAL	DO NOT SPRAY WITH WATER	2
6	597 44 73-03	DECAL	HOT SURFACE	3
7	597 44 73-04	DECAL	PRESSURE CAP	1
8	597 44 73-05	DECAL	ROTATING FAN BLADE	1
9	597 44 73-06	DECAL	REMOTE CONTROLLED WARNING	4
10	597 44 73-07	DECAL	ARTICULATION WARNING	4
11	597 44 73-08	DECAL	LIFT AND TRANSPORT WARNING	1
12	585 94 93-01	DECAL	HUSQVARNA CROWN 135	1
13	591 35 74-01	DECAL	HUSQVARNA LOGO	2
14	596 91 25-01	DECAL	DECAL LP9505 Model Code	2
15	596 91 26-01	DECAL	DECAL Overlay electrical panel	1
16	596 91 26-02	DECAL	DECAL Start instruction	1
17	596 91 26-03	DECAL	DECAL Lift and tie down instruction	1
18	596 28 02-01	DECAL	DECAL Compliance RCM	1
19	595 35 10-01	SCREW	DRIVE SCREW	4
20	595 87 17-01	LABEL		1
21	594 66 15-01	DECAL		1

Z LP9505
START UP KIT - KUBOTA

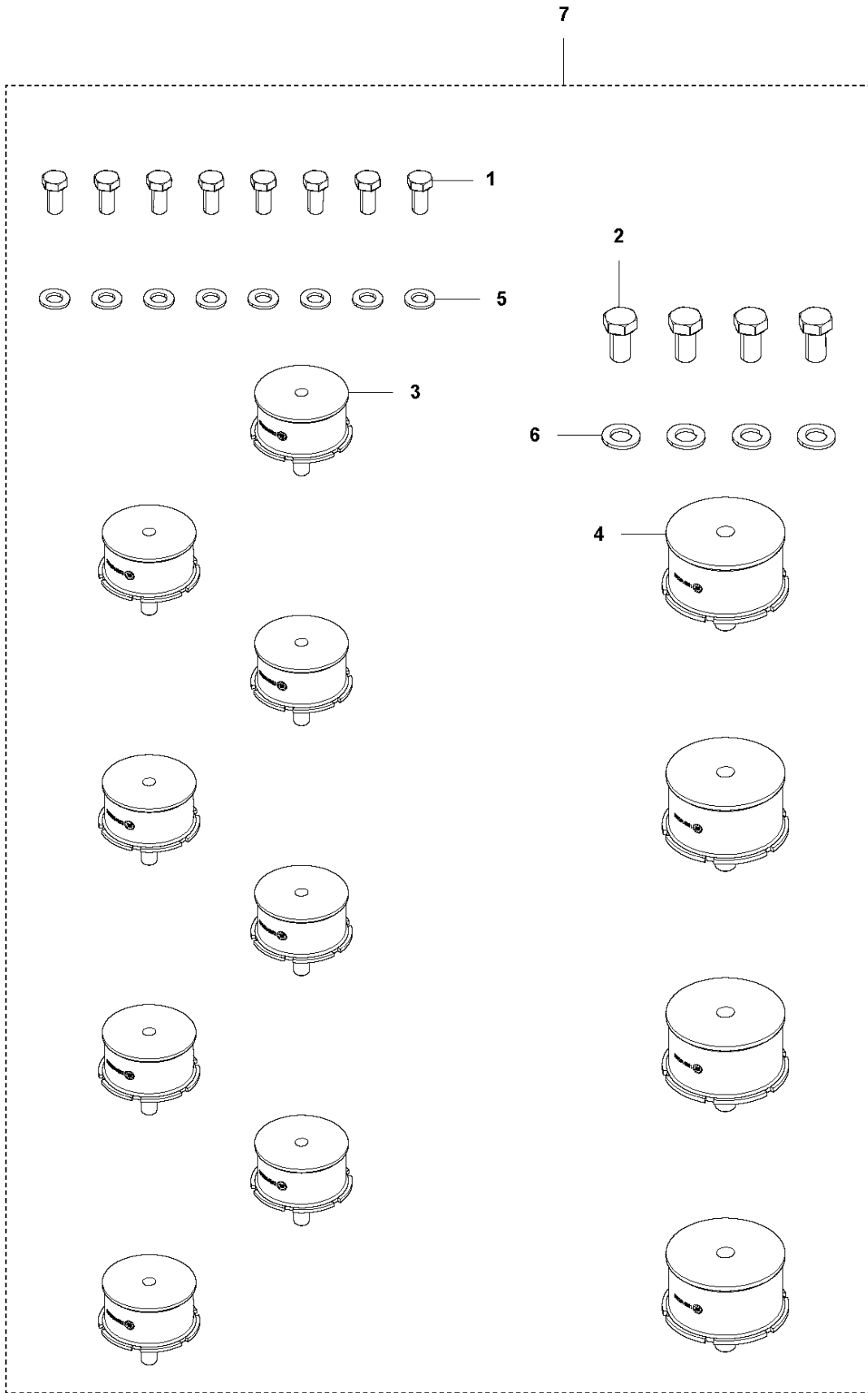


START UP KIT - KUBOTA

LP 9505, 967950801, 2022-06

Ref	Part No	Description	Remark	QTY KIT	
1	597 49 39-01	SERVICE KIT	SERVICE KIT Start up	1	
2	597 44 80-03	FUEL FILTER	Engine fuel filter - pre-fuel filter (ref. 125581-43012)	1	1
3	597 44 80-01	FUEL FILTER	Fuel filter (Donaldson) - ref. P550248	1	1
4	597 44 93-01	OIL FILTER	Hydraulic oil filter (Hydac)	3	1
5	597 44 93-02	OIL FILTER	Engine oil filter (reff. HH160-32093)	3	1
6	597 44 94-01	UNIT	SAFETY ELEMENT	1	1
7	597 44 94-02	UNIT	MAIN ELEMENT	1	1
8	597 44 88-01	V-BELT	V-belt (16282-97013)	1	1

AA LP9505
SHOCK ABSORBER REPAIR KIT

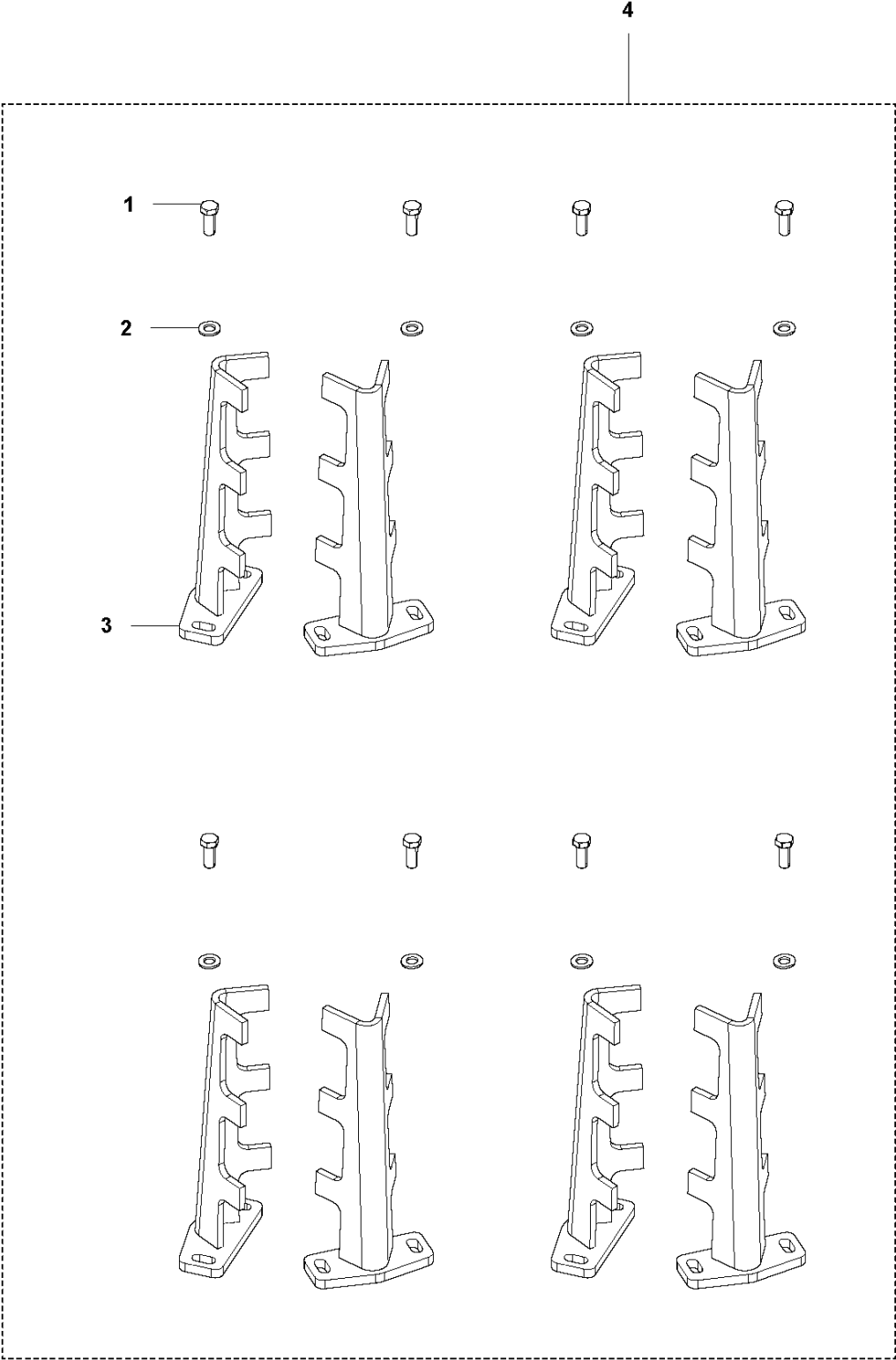


SHOCK ABSORBER REPAIR KIT

LP 9505, 967950801, 2022-06

Ref	Part No	Description	Remark	QTY	KIT
1	595 34 53-01	SCREW	SCREW Hex. Head	8	7
2	596 88 97-12	SCREW	SCREW Hex. Head M6S M16x30 8.8 fzb	4	7
3	596 37 52-01	DAMPER	DAMPER Rubber damper	8	7
4	596 37 51-01	DAMPER	DAMPER Rubber damper	4	7
5	595 11 34-01	WASHER	WASHER	8	7
6	595 03 67-01	WASHER	WASHER	4	7
7	599 61 12-01	REPAIR KIT			1

AB LP9505
DRUM REPAIR KIT - (850 mm / 33.46 in.)

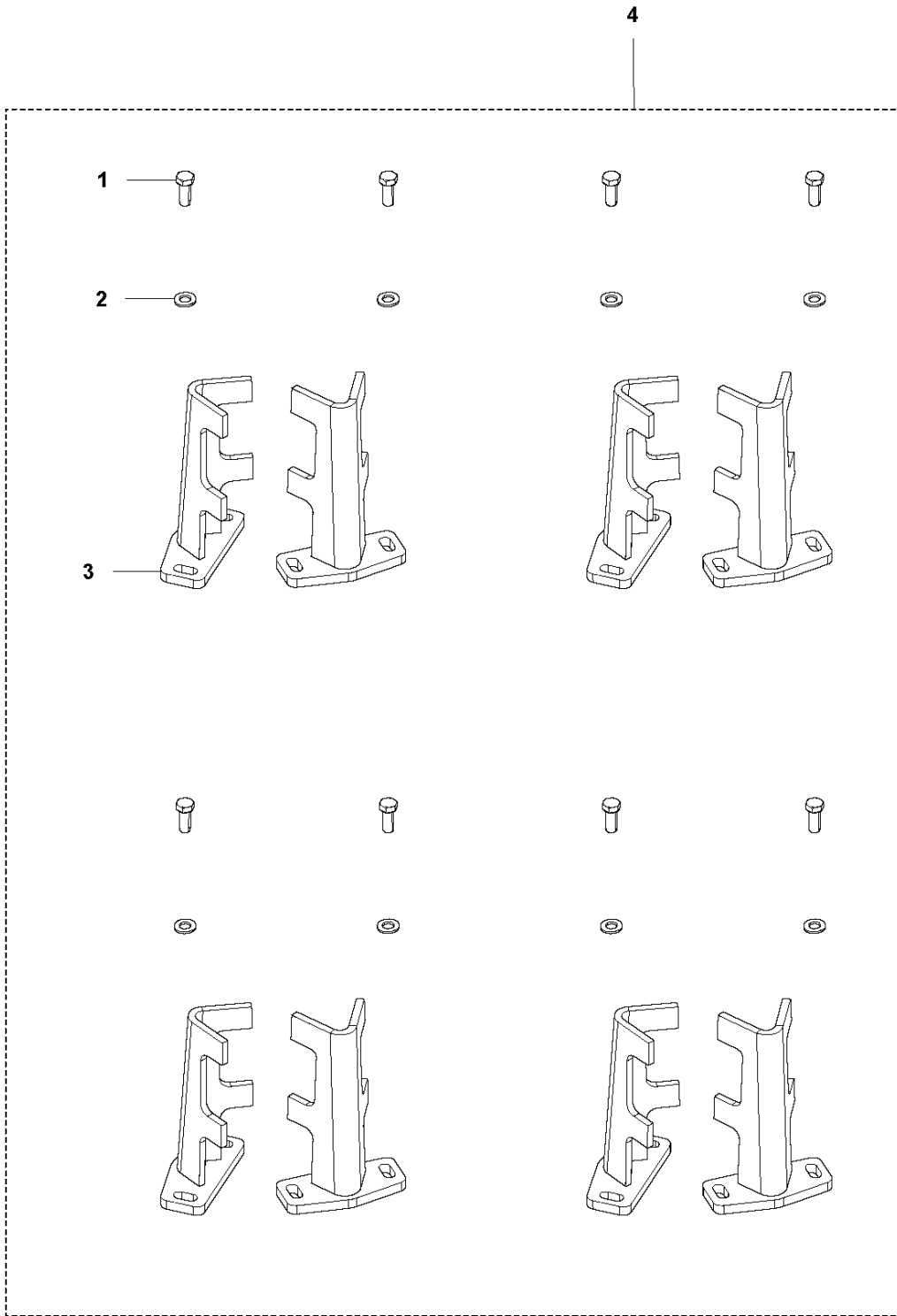


DRUM REPAIR KIT

LP 9505, 967950801, 2022-06

Ref	Part No	Description	Remark	QTY	KIT
1	594 11 90-01	BOLT	BOLT Hexagon Head M12X30 DIN933 8.8 FZB	16	4
2	595 11 34-01	WASHER	PLAIN WASHER	16	4
3	596 37 92-01	SCRAPER	SCRAPER 850 MM	8	4
4	599 14 36-02	SCRAPER		1	

AC LP9505
DRUM REPAIR KIT - (630 mm / 24.80 in.)

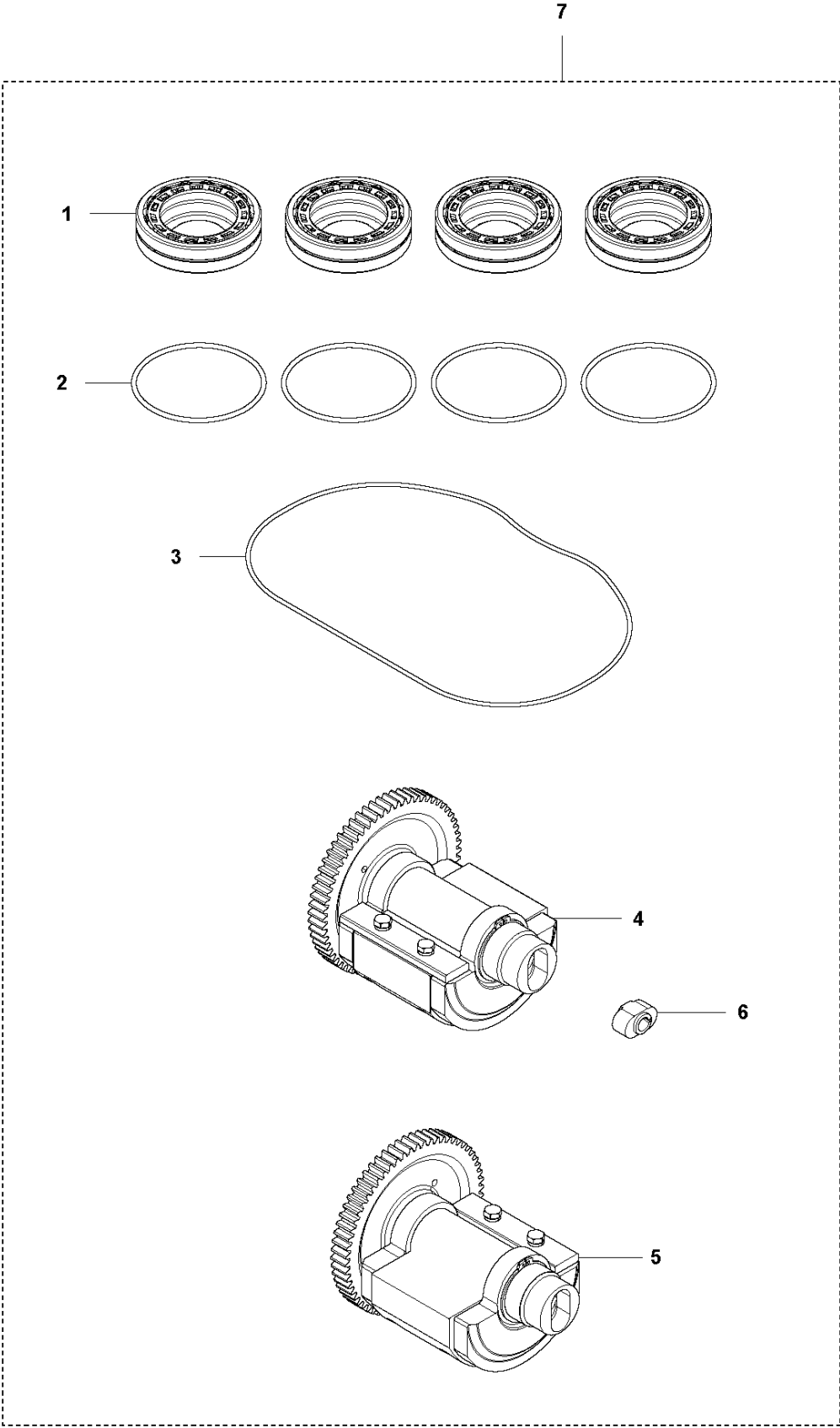


DRUM REPAIR KIT

LP 9505, 967950801, 2022-06

Ref	Part No	Description	Remark	QTY	KIT
1	594 11 90-01	BOLT	BOLT Hexagon Head M12X30 DIN933 8.8 FZB	16	4
2	595 11 34-01	WASHER	PLAIN WASHER	16	4
3	596 37 93-01	DRUM	SCRAPER 630 MM	8	4
4	599 14 36-01	SCRAPER		1	

AD LP9505
ECCENTRIC ELEMENT REPAIR KIT

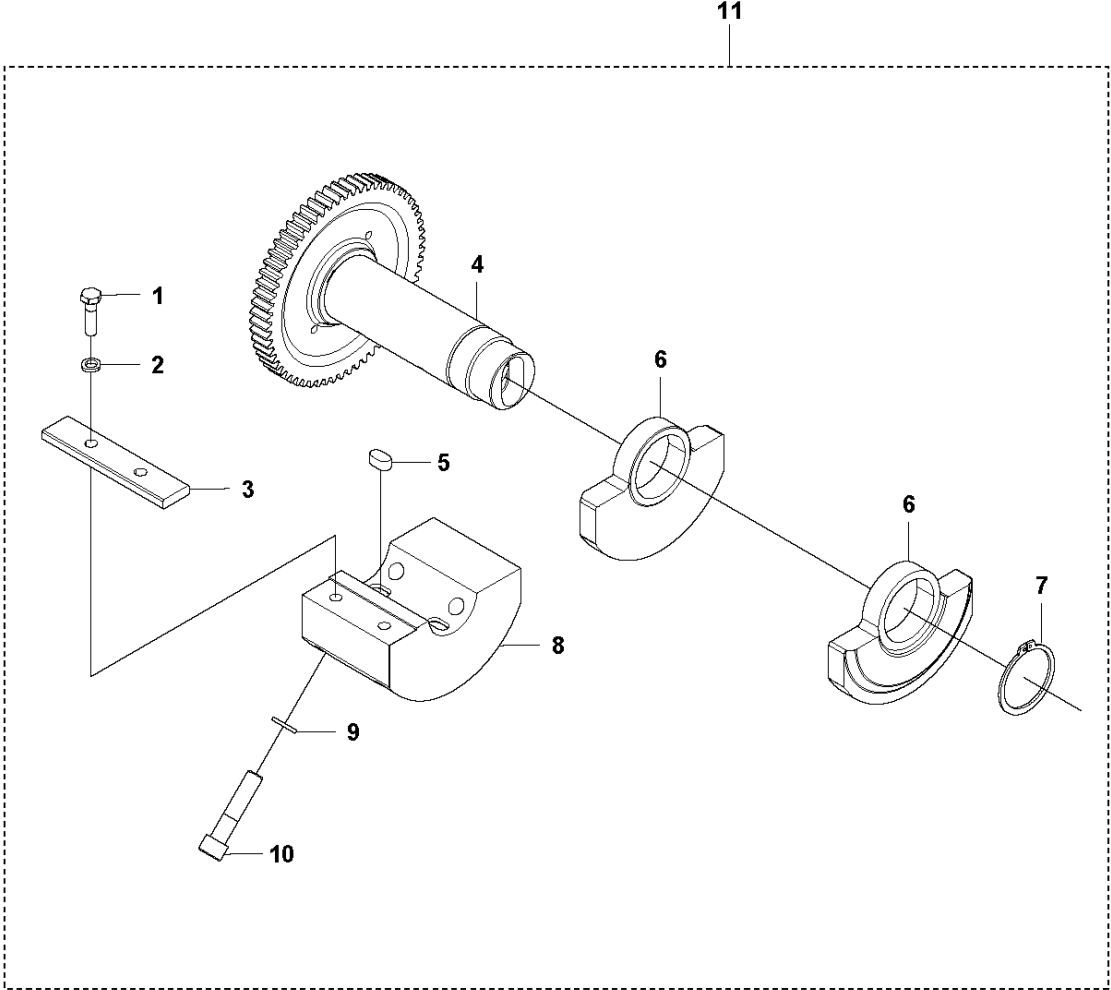


ECCENTRIC ELEMENT REPAIR KIT

LP 9505, 967950801, 2022-06

Ref	Part No	Description	Remark	QTY KIT
1	596 38 34-01	ROLLER BEARING	Spherical roller bearing - Timken 21309 EJW 33 C3	4
2	596 88 96-04	O-RING	O-RING Ø100x3	4
3	597 44 78-01	O-RING	O-RING Ø290x3	1
4	599 40 72-01	SHAFT ASSY		1
5	599 40 72-02	SHAFT ASSY	ECCENTRIC WEIGHTS and gear cpl. repair kit	1
6	596 37 54-01	COUPLING		1
7	597 54 25-04	SERVICE KIT		1

AE LP9505
ECCENTRIC SHAFT ASSEMBLY

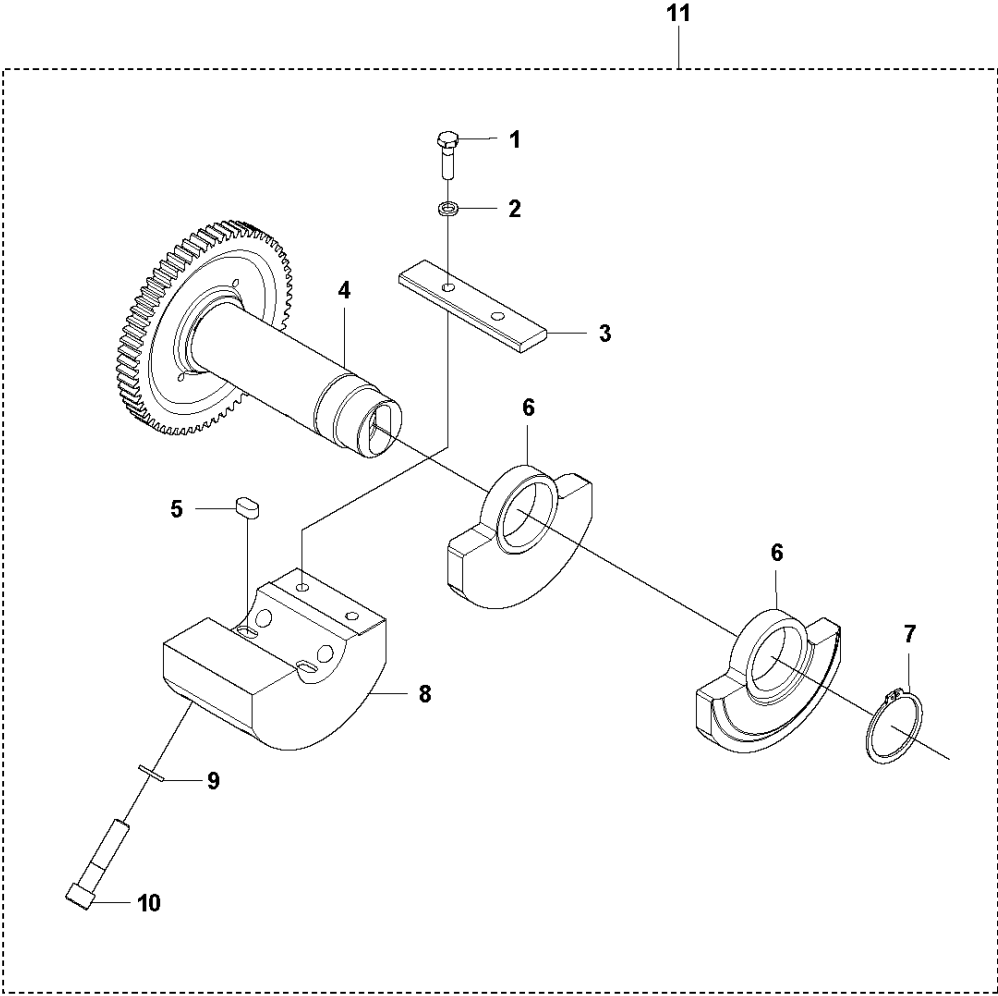


ECCENTRIC SHAFT ASSEMBLY

LP 9505, 967950801, 2022-06

Ref	Part No	Description	Remark	QTY	KIT
1	595 34 43-01	SCREW		2	11
2	595 04 39-01	WASHER		2	11
3	597 31 21-02	PLATE		1	11
4	529 87 27-01	SHAFT		1	11
5	596 89 35-01	KEY		3	11
6	599 32 14-02	WEIGHT		2	11
7	596 88 88-01	CIRCLIP		1	11
8	599 32 14-01	WEIGHT		1	11
9	595 11 89-01	LOCKWASHER		4	11
10	594 74 69-01	SCREW		4	11
11	599 40 72-01	SHAFT ASSY		1	

AF LP9505
ECCENTRIC SHAFT ASSEMBLY

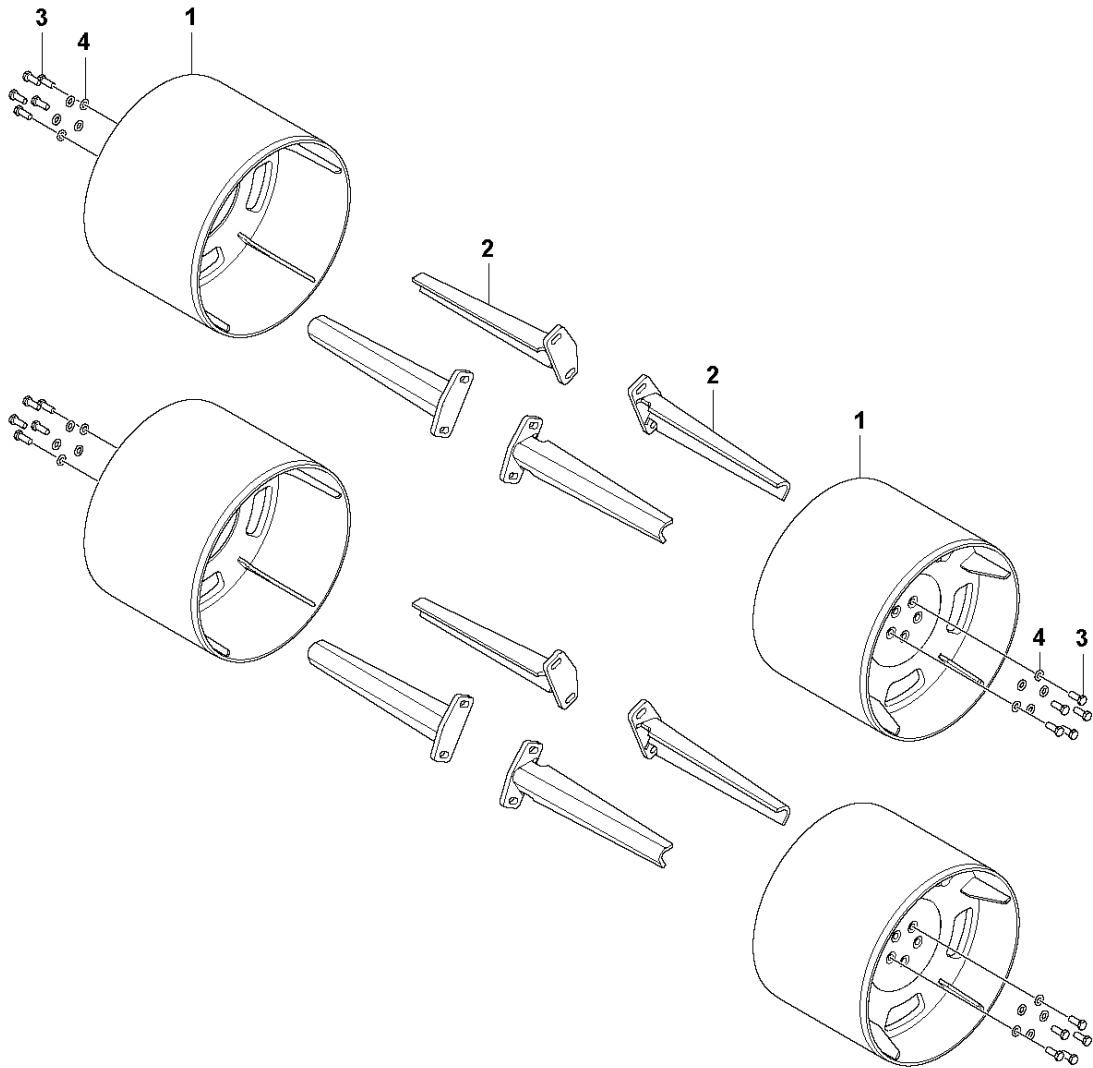


ECCENTRIC SHAFT ASSEMBLY

LP 9505, 967950801, 2022-06

Ref	Part No	Description	Remark	QTY	KIT
1	595 34 43-01	SCREW		2	11
2	595 04 39-01	WASHER		2	11
3	597 31 21-02	PLATE		1	11
4	529 87 27-01	SHAFT		1	11
5	596 89 35-01	KEY		3	11
6	599 32 14-02	WEIGHT		2	11
7	596 88 88-01	CIRCLIP		1	11
8	599 32 14-01	WEIGHT		1	11
9	595 11 89-01	LOCKWASHER		4	11
10	594 74 69-01	SCREW		4	11
11	599 40 72-02	SHAFT ASSY		1	

AG LP9505
SMOOTH DRUM KIT

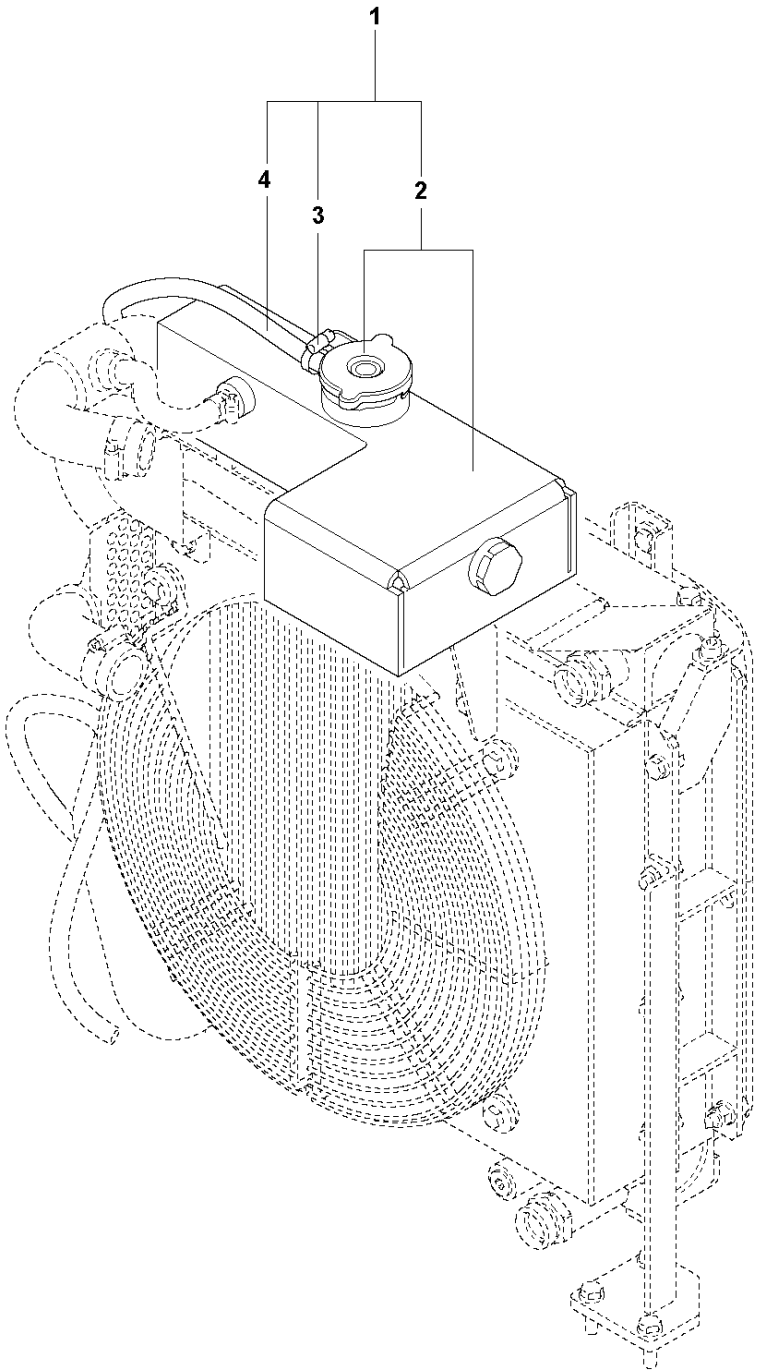


SMOOTH DRUMS KIT

LP 9505, 967950801, 2022-06

Ref	Part No	Description	Remark	QTY KIT
2	529 80 32-01	SCRAPER		8
3	594 11 90-01	BOLT		16
4	595 11 34-01	WASHER		16
1	599 70 02-01	DRUM		4

AH LP9505
RETROFIT KIT



RETROFIT KIT

LP 9505, 967950801, 2022-06

Ref	Part No	Description	Remark	QTY	KIT
1	535 61 09-01	EXPANSION TANK SYSTEM	RETROFIT KIT	1	
3	595 45 46-01	CLAMP		1	1
4	596 38 35-03	FUEL HOSE		1	1