

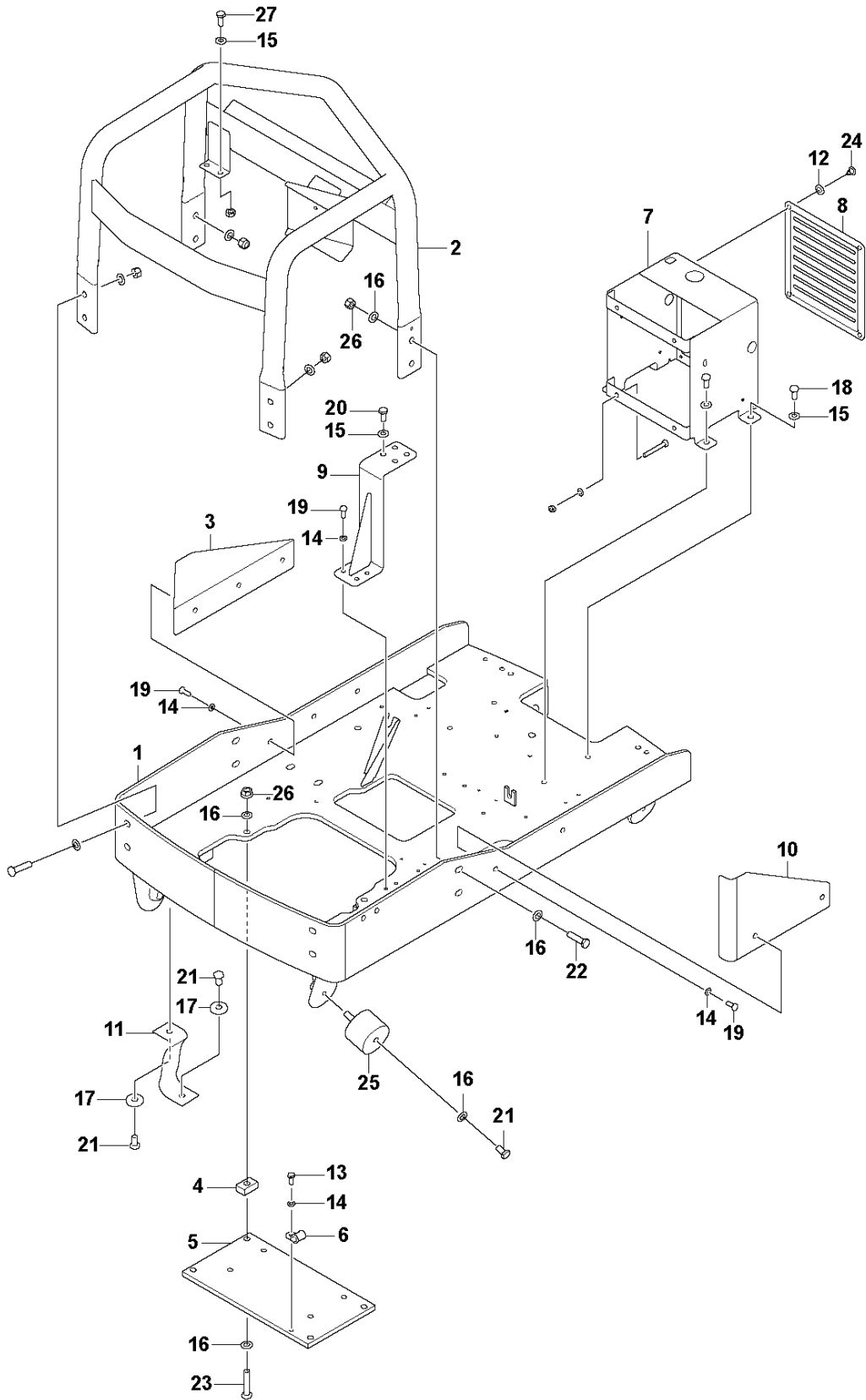


SPARE PARTS LIST

LIGHT COMPACTION

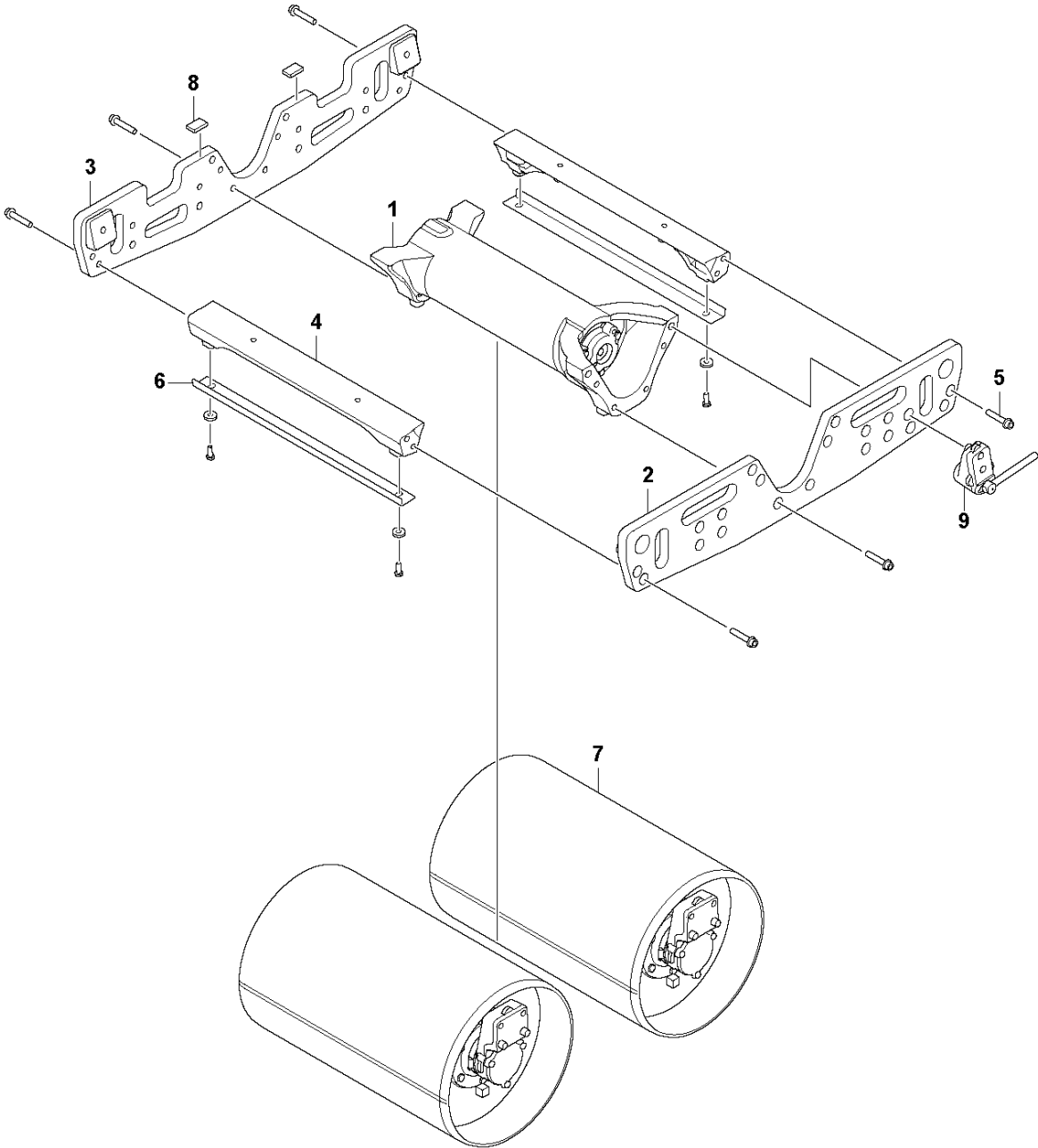
LP 6500 I, 2020-10

A LP 6500 I
PROTECTIVE FRAME AND ENGINE PLATE



Ref	Part No	Description	Remark	QTY KIT
1	597 17 98-20	BASE		1
2	597 17 98-21	FRAME		1
3	597 17 98-63	HANDLE		1
4	596 11 74-01	SPACER		4
5	597 17 98-22	BRACKET		1
6	595 46 95-01	CLAMP		1
7	594 82 89-01	BRACKET		1
8	594 46 58-01	COVER		1
9	599 97 40-01	BRACKET		1
10	597 17 98-64	HANDLE		1
11	594 14 15-01	STRAP		4
12	594 53 51-01	WASHER	6 x 18 x 2 mm 0.24 x 0.71 x 0.08 in. 300 HV	4
13	595 05 40-01	SCREW	M8 x 16 mm 8.8	1
14	595 06 66-01	WASHER	8.4 x 16 x 1.5 mm 0.33 x 0.63 x 0.06 in. 300 HV	10
15	595 06 67-01	WASHER	10.5 x 22 x 2 mm 0.41 x 0.87 x 0.08 in. 300 HV	10
16	595 06 68-01	WASHER	13 x 24 x 2 mm 0.51 x 0.98 x 0.08 in. 300 HV	28
17	594 54 32-01	WASHER	13 x 36 x 6 mm 0.51 x 1.42 x 0.24 in. 300 HV	8
18	595 05 51-01	SCREW	M10 x 16 mm 8.8	4
19	595 05 54-01	SCREW	M8 x 20 mm 8.8	9
20	595 88 68-01	SCREW	M10 x 22 mm 8.8	4
21	595 05 48-01	SCREW	M12 x 20 mm 8.8	12
22	595 05 55-01	SCREW	M12 x 45 mm 8.8	8
23	595 17 92-01	SCREW	M12 x 60 mm 8.8	4
24	595 46 57-01	SCREW	M6 x 16 mm 8.8 BH	4
25	594 54 91-01	ABSORBER		4
26	595 06 03-01	NUT	M12, Nylon insert lock nut (Nyloc)	12
27	595 46 62-01	SCREW	M10 x 25 mm 8.8	2

B LP 6500 I
LOWER FRAME

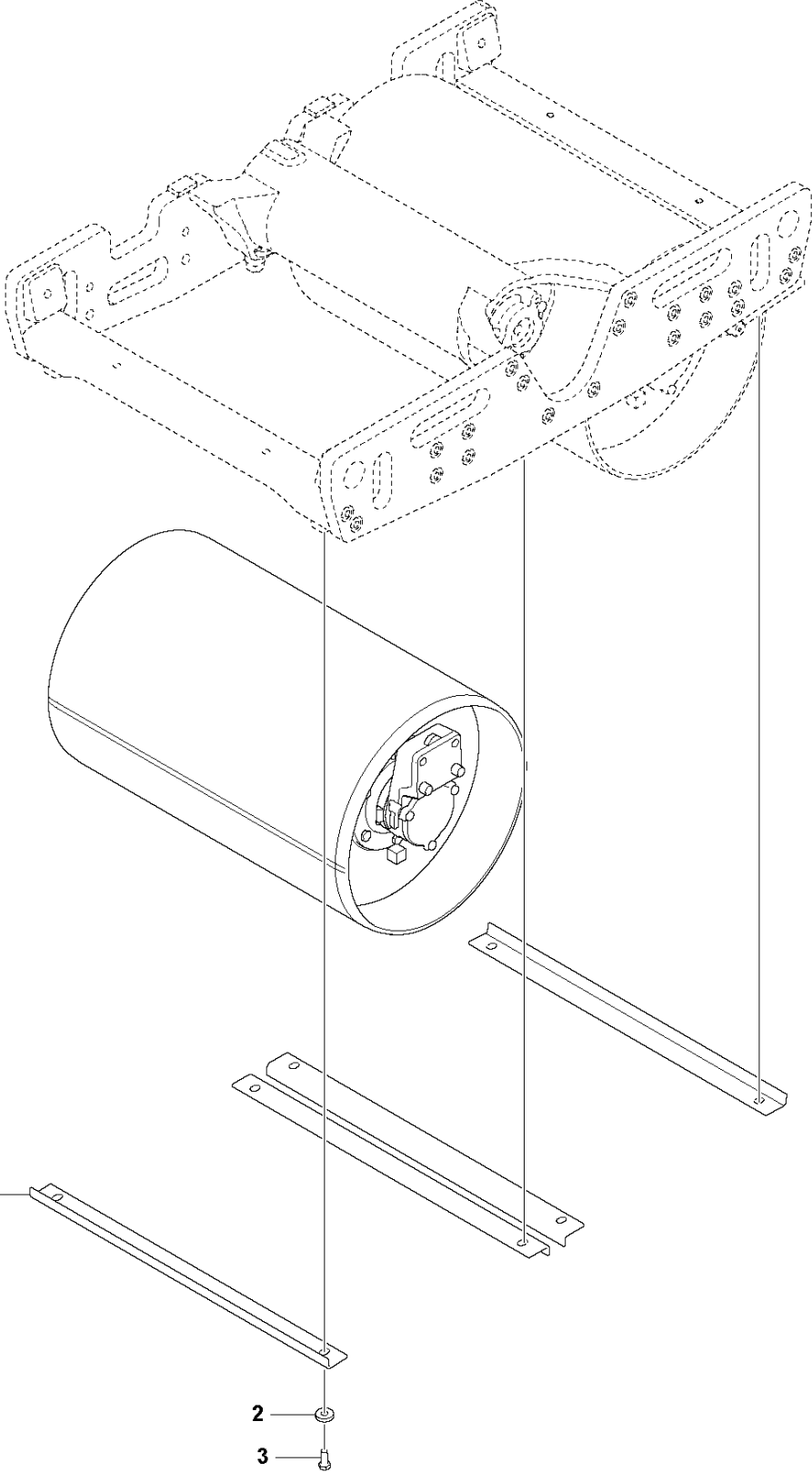


LOWER FRAME

LP 6500 I, 2020-10

Ref	Part No	Description	Remark	QTY KIT
1	596 07 94-01	EXCENTER	See section "Eccentric element"	1
2	597 17 98-23	PLATE		1
3	597 17 98-24	PLATE		1
4	597 17 98-25	BEAM		2
5	594 51 75-01	SCREW	M12 x 60 mm 12.9	8
6	594 46 35-01	SCRAPER	See section "Scrapers"	4
8	595 52 39-01	PLATE		2
9	529 73 11-01	BRAKE ASSY		1

C LP 6500 I
SCRAPERS



SCRAPERS

LP 6500 I, 2020-10

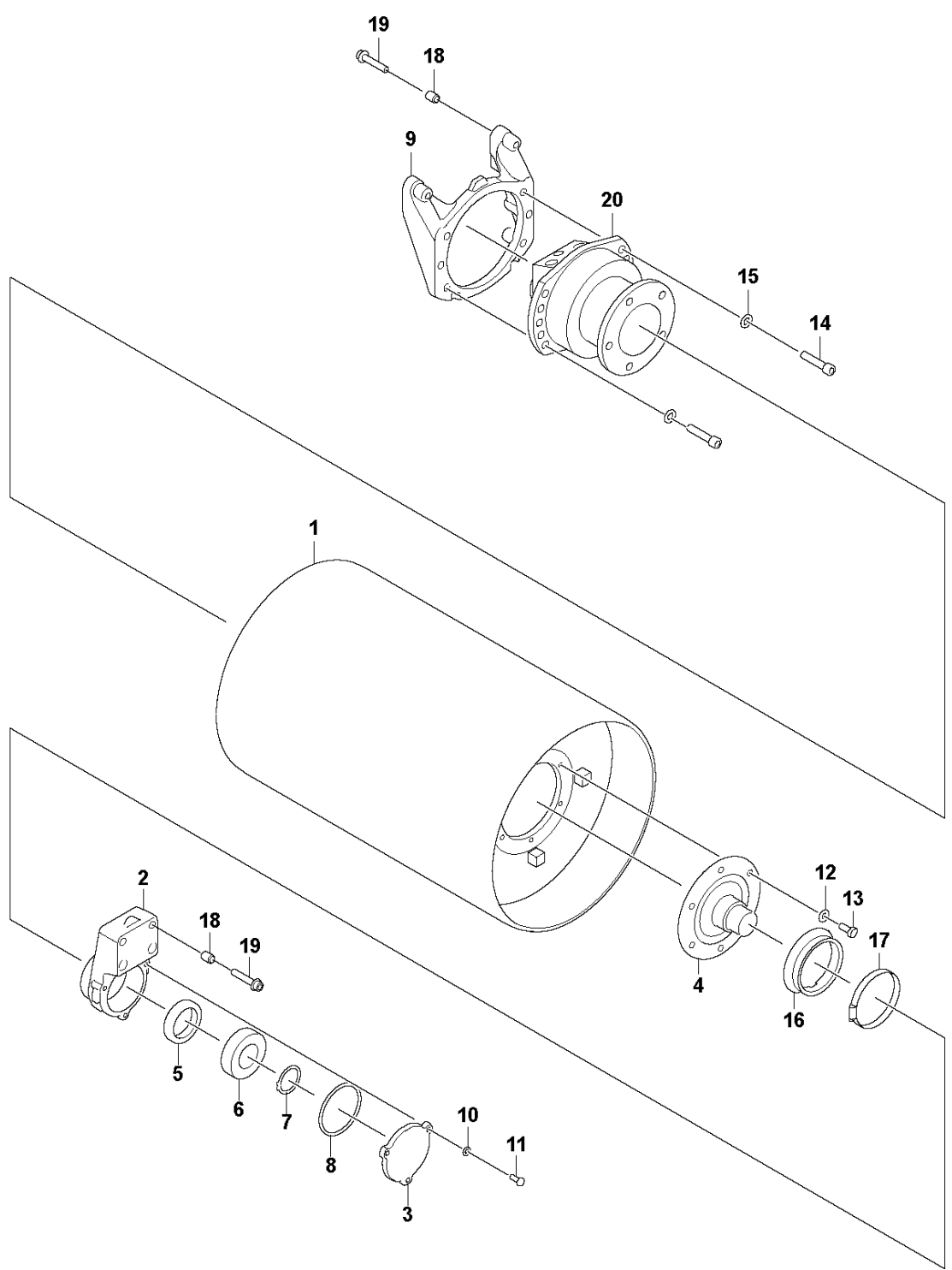
Ref	Part No	Description	Remark	QTY KIT
1	594 46 35-01	SCRAPER		4
2	595 06 76-01	WASHER	10.5 x 28 x 6.0 mm 0.41 x 1.10 x 0.23 in. 300HV	8
3	595 46 62-01	SCREW	M10 x 25 mm 8.8	8

SPRINKLER SYSTEM

LP 6500 I, 2020-10

Ref	Part No	Description	Remark	QTY KIT
1	529 48 12-01	TANK		1
2	597 17 98-65	HANDLE		1
3	595 18 68-01	WASHER	6.4 x 12 x 1.5 mm 0.25 x 0.47 x 0.06 in. 300 HV	8
4	595 05 56-01	SCREW	M6 x 10 mm 8.8	3
5	594 51 79-01	ADAPTER		2
6	594 51 80-01	ADAPTER		2
7	594 51 81-01	HOSE CONNECTOR		2
8	594 47 44-01	BRACKET		2
9	595 06 67-01	WASHER	10.5 x 22 x 2 mm 0.41 x 0.87 x 0.08 in. 300 HV	4
10	595 05 52-01	SCREW	M10 x 20 mm 8.8	4
11	594 51 77-01	HOSE COUPLING		2
12	595 05 37-01	SCREW	M6 x 12 mm 8.8	8
13	594 51 82-01	VALVE		1
14	594 52 18-01	ADAPTER		2
15	594 53 51-01	WASHER	6 x 18 x 2 mm 0.24 x 0.71 x 0.08 in. 300 HV	3
16	594 51 61-01	CLAMP		4
17	595 06 84-01	CAP		1
18	596 97 72-01	PIPE	With plug	4
19	596 08 04-01	HOSE CONNECTOR	Metalic	2
20	595 06 66-01	WASHER	8.4 x 16 x 1.5 mm 0.33 x 0.63 x 0.06 in. 300 HV	8
21	595 04 95-01	HOSE	270 mm 10.43 in.	1
22	595 04 95-01	HOSE	600 mm 23.62 in.	1
23	595 04 95-01	HOSE	390 mm 15.35 in.	1
24	595 04 95-01	HOSE	470 mm 18.50 in.	1
25	595 04 95-01	HOSE	680 mm 26.37 in.	1
26	595 04 95-01	HOSE	270 mm 10.43 in.	1
27	595 46 95-01	CLAMP	13 x 8.4 x 20 mm 0.51 x 0.33 x 0.79 in.	8
28	595 05 40-01	SCREW	M8 x 16 mm 8.8	8
29	594 46 42-01	SHROUD		1

E LP 6500 I
DRUM

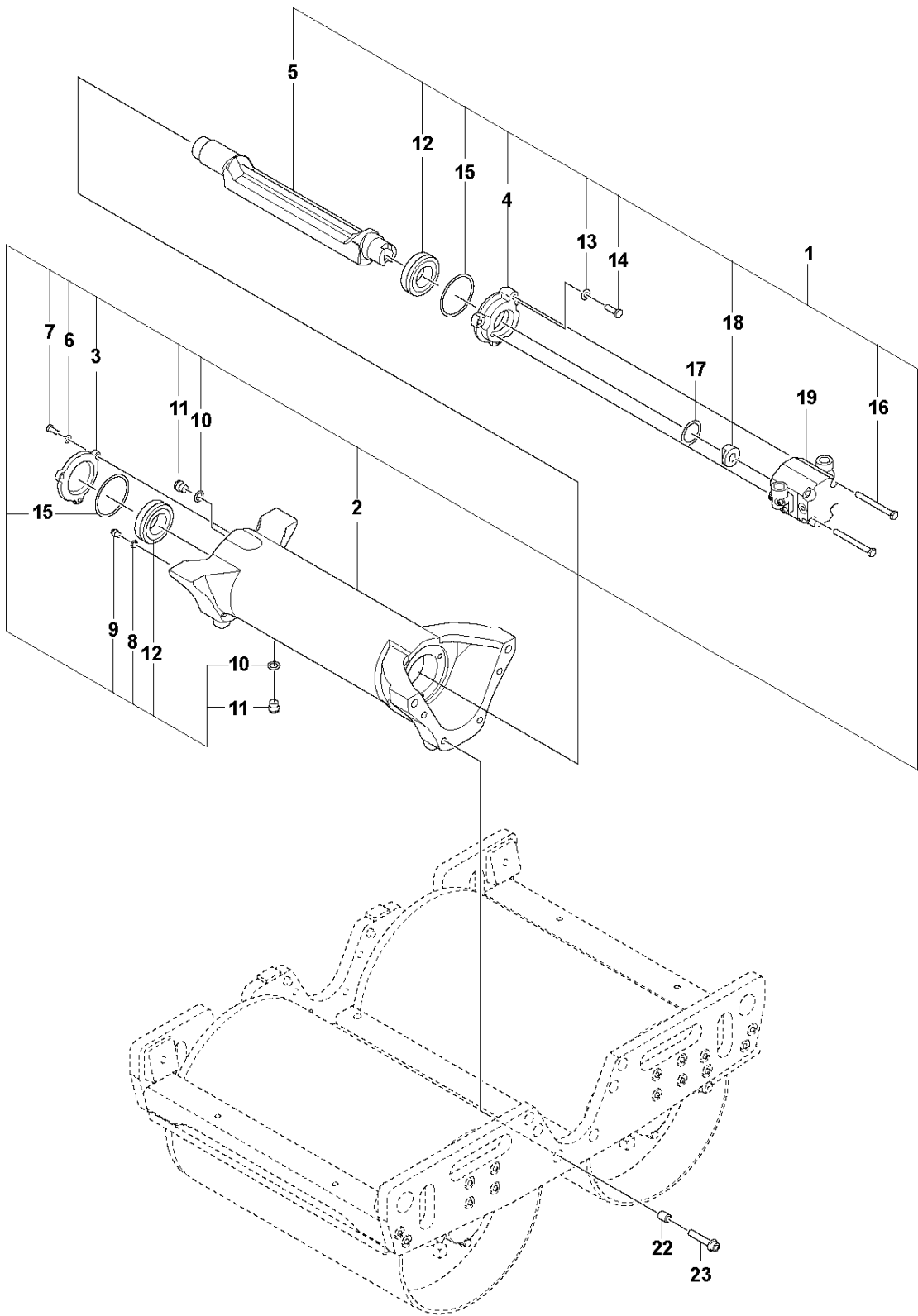


DRUM

LP 6500 I, 2020-10

Ref	Part No	Description	Remark	QTY KIT
1	594 14 14-01	DRUM		1
2	594 45 16-01	BRACKET		1
3	594 45 03-01	COVER		1
4	594 45 84-01	SHAFT		1
5	594 51 51-01	SEALING		1
6	594 51 50-01	ROLLER BEARING		1
7	595 04 58-01	SNAP RING		1
8	595 04 67-01	O-RING	84.5 x 3.0 mm (70 shore A) 3.33 x 0.12 in.	1
9	594 45 83-01	BRACKET		1
10	595 06 66-01	WASHER	8.4 x 16 x 1.5 mm 0.33 x 0.63 x 0.06 in 300HV	3
11	595 05 54-01	SCREW	M8 x 20 mm 8.8	3
12	595 06 67-01	WASHER	10.5 x 22 x 2 mm 0.41 x 0.87 x 0.08 in 300 HV	6
13	595 46 62-01	SCREW	M10 x 25 mm 8.8	6
14	594 53 19-01	SCREW	M12 x 55 mm 12.9	6
15	595 06 68-01	WASHER	13 x 24 x 2 mm 0.51 x 0.98 x 0.08 in. 300 HV	6
16	594 46 77-01	PROTECTION		1
17	595 98 31-01	CLAMP		1
18	594 45 91-01	GUIDE		4
19	594 51 75-01	SCREW	M12 x 60 mm 12.9	8
20	594 46 91-01	HYDRAULIC MOTOR		1

F LP 6500 I
ECCENTRIC ELEMENT

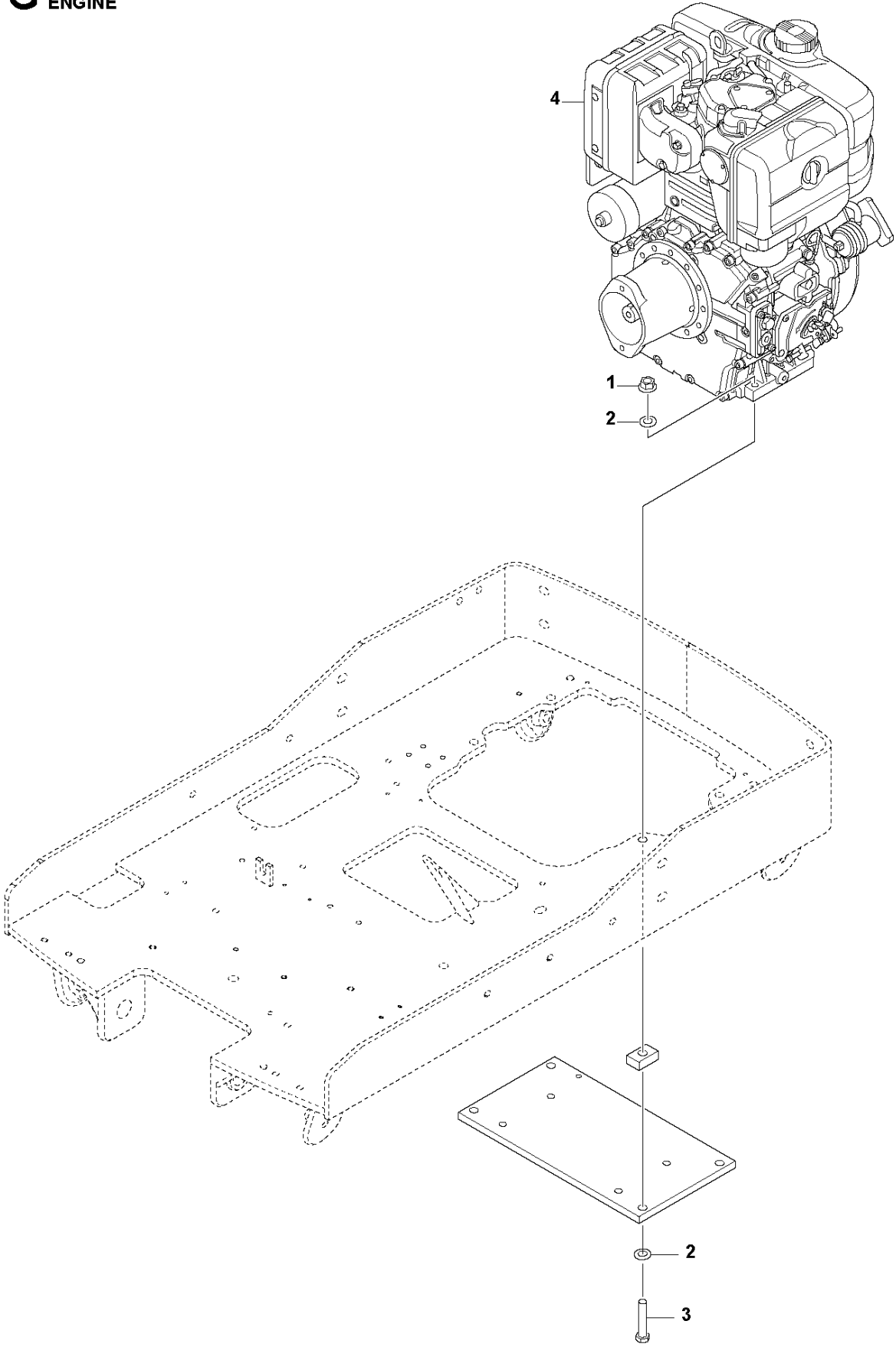


ECCENTRIC ELEMENT

LP 6500 I, 2020-10

Ref	Part No	Description	Remark	QTY KIT	
1	596 07 94-01	EXCENTER		1	
2	594 45 02-01	HOUSING		1	1
3	594 45 03-01	COVER		1	1
4	594 45 17-01	COVER		1	1
5	594 45 07-01	SHAFT		1	1
6	595 06 66-01	WASHER	8.4 x 16 x 1.5 mm 0.33 x 0.63 x 0.06 in. 300 HV	3	1
7	595 05 54-01	SCREW	M8 x 20 mm 8.8	3	1
8	595 14 57-01	RING		1	1
9	594 29 33-01	PLUG		1	1
10	595 04 78-01	GASKET	16.7 x 24 x 1.5 mm 0.65 x 0.94 x 0.06 in. TYPE A, M16		1
11	595 04 83-01	PLUG		2	1
12	594 51 50-01	ROLLER BEARING		2	1
13	595 06 67-01	WASHER	10.5 x 22 x 2.0 mm 0.41 x 0.87 x 0.08 in. 300 HV	3	1
14	595 05 44-01	SCREW	M10 x 30 mm 8.8	3	1
15	595 04 67-01	O-RING	84.5 x 3.0 mm 3.33 x 0.12 in. (70 Shore A)	2	1
16	595 98 84-01	SCREW	M10 x 100 mm 8.8	2	1
17	595 11 80-01	O-RING	48.0 x 2.0 mm 1.89 x 0.08 in. (70 Shore A)	1	1
18	594 45 18-01	CLUTCH		1	1
19	594 45 93-01	HYDRAULIC MOTOR		1	
22	594 45 91-01	GUIDE		4	
23	594 51 75-01	SCREW	M12 x 60 mm 12.9	12	

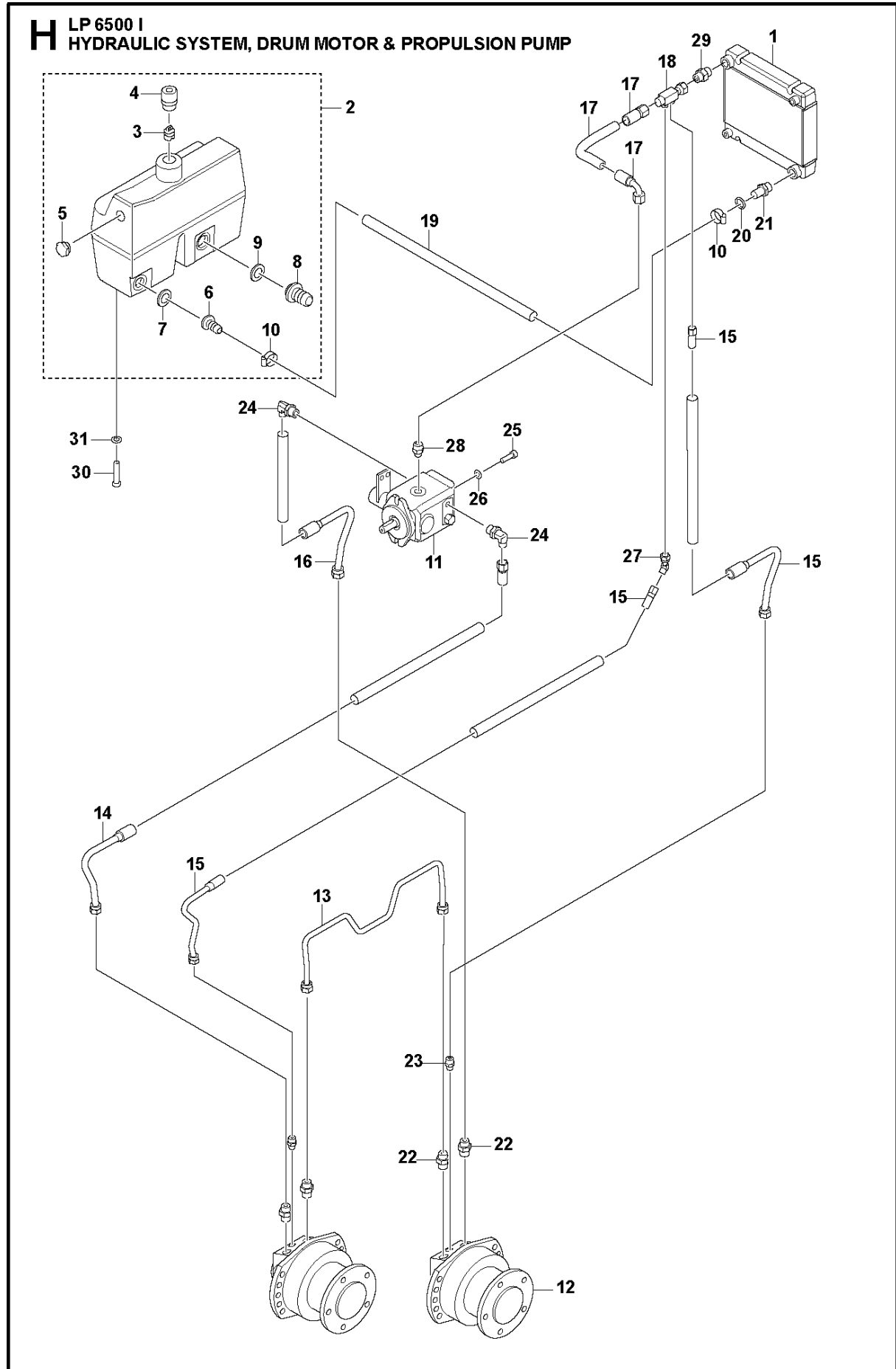
G LP 6500 I
ENGINE



ENGINE

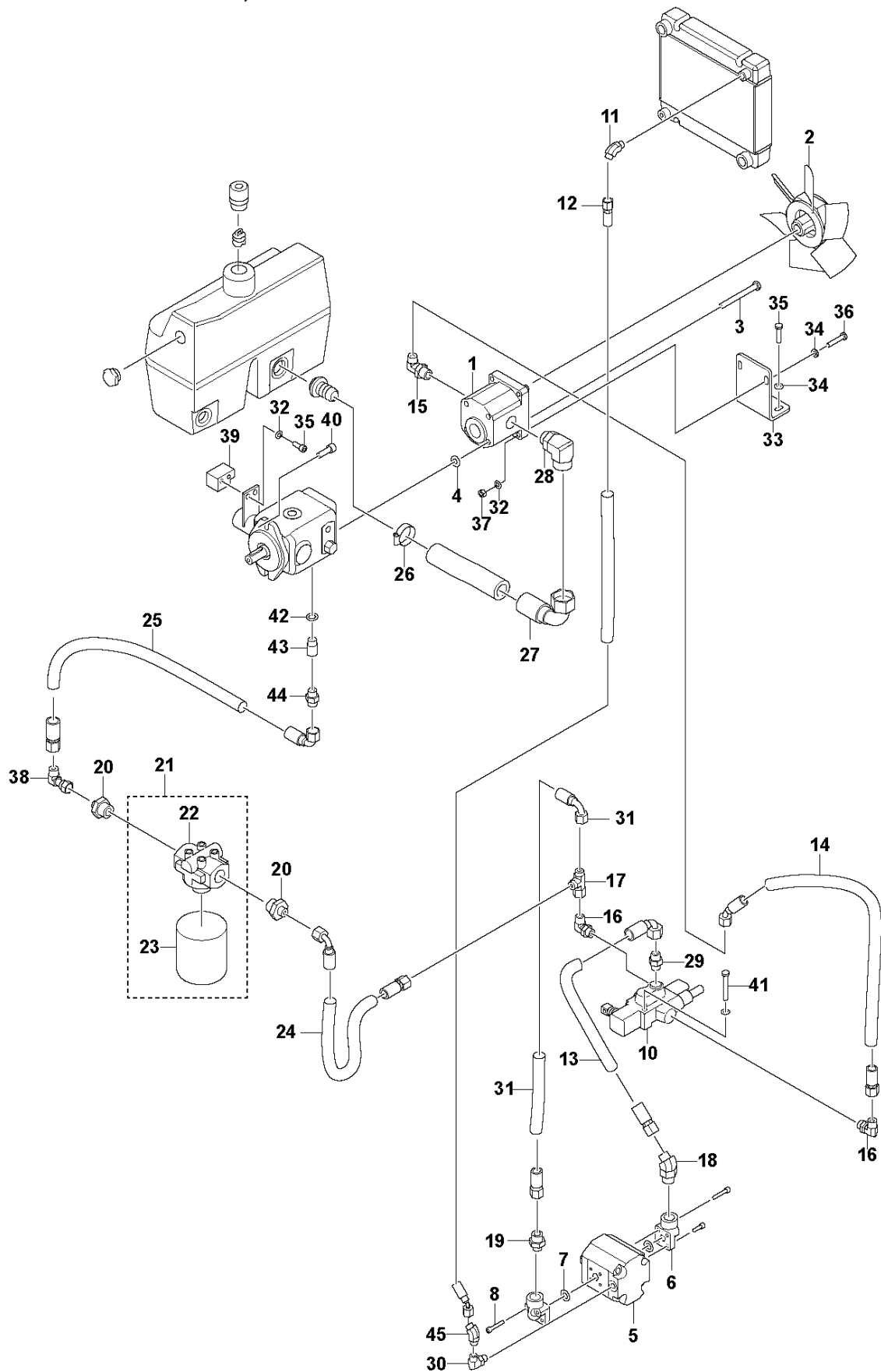
LP 6500 I, 2020-10

Ref	Part No	Description	Remark	QTY KIT
1	595 18 15-01	NUT	M10, Nylon insert lock nut (Nyloc)	4
2	595 06 67-01	WASHER	10.5 x 22 x 2 mm 0.41 x 0.87 x 0.08 in. 300 HV	8
3	595 05 60-01	SCREW	M10 x 50 mm 8.8	4
4	599 67 72-01	ENGINE		1



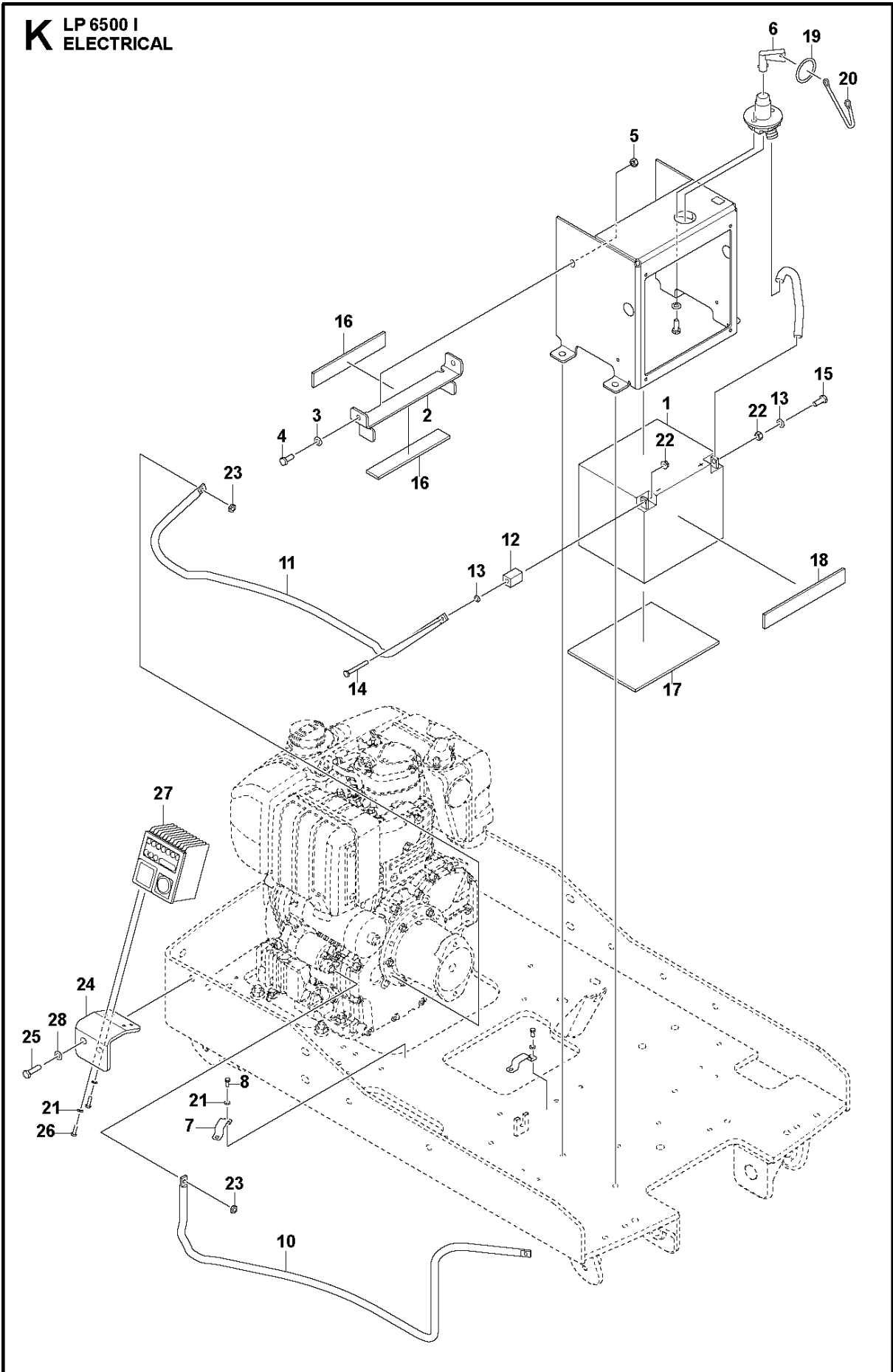
Ref	Part No	Description	Remark	QTY	KIT
1	594 48 54-01	COOLER		1	
2	599 93 80-01	OIL TANK		1	
3	594 46 61-01	GUARD		1	2
4	595 05 10-01	FILTER		1	2
5	594 49 81-01	LEVEL		1	2
6	596 05 53-01	ADAPTER	"1/2"" BSP"	1	2
7	596 11 53-01	SEAL		1	2
8	596 05 54-01	ADAPTER	"3/4"" BSP"	1	2
9	596 07 69-01	WASHER		1	2
10	595 98 29-01	CLAMP		2	2
11	596 10 95-01	PUMP		1	
12	594 46 91-01	HYDRAULIC MOTOR		2	
13	594 46 67-01	HYDRAULIC PIPE		1	
14	596 05 56-01	PIPE		1	
15	594 46 69-01	HYDRAULIC PIPE		2	
16	596 05 57-01	PIPE		1	
17	596 09 97-01	HYDRAULIC HOSE		1	
18	594 46 80-01	CONNECTOR		1	
19	595 06 29-01	HOSE		1	
20	594 52 03-01	SEALING WASHER		1	
21	596 86 58-43	CONNECTION		1	
22	594 51 96-01	ADAPTER	With O-ring	4	
23	599 93 81-01	CONNECTOR	With O-ring	2	
24	594 51 88-01	ADAPTER	90°, with O-ring	2	
25	529 61 81-01	SCREW	M10 x 30 mm Allen	2	
26	595 06 74-01	WASHER	10.5 x 22 x 4 mm 0.41 x 0.86 x 0.14 in. 300 HV	2	
27	594 51 91-01	ADAPTER	45°	1	
28	599 93 82-01	CONNECTOR	With O-ring	1	
29	594 51 94-01	ADAPTER		1	
30	595 88 68-01	SCREW	M10 x 022 mm 8.8	4	
31	595 06 67-01	WASHER	10.5 x 22 x 2 mm 0.41 x 0.86 x 0.07 in. 300 HV	4	
32	595 05 43-01	SCREW	M8 x 60 mm 8.8	4	
33	595 06 66-01	WASHER	8.4 x 16 x 1.5 mm 0.33 x 0.63 x 0.06 in. 300 HV	8	
34	595 18 08-01	NUT	M8	4	

J LP 6500 I
HYDRAULIC SYSTEM, VIBRATION MOTOR & PUMP



Ref	Part No	Description	Remark	QTY	KIT
1	596 10 96-01	PUMP	See section "Vibration pump"	1	
2	594 45 04-01	FAN		1	
3	595 98 84-01	SCREW	M10 x 100 mm 8.8		
4	595 06 67-01	WASHER	10.5 x 22 x 2 mm 0.41 x 0.87 x 0.08 in. 300HV	4	
5	594 45 93-01	HYDRAULIC MOTOR	See section "Vibration motor"	1	
6	595 99 44-01	ADAPTER		2	
7	594 26 73-01	O-RING	17.96 x 2.62 mm 0.70 x 0.10 in. (70 shore A)	2	
8	595 29 22-01	SCREW	M6 x 35 mm 8.8	4	
9	595 05 78-01	SCREW	M6 x 20 mm 8.8	4	
10	594 43 33-01	VALVE		1	
11	594 52 01-01	ADAPTER	45°, with O-ring	1	
12	594 49 68-01	HYDRAULIC HOSE		1	
13	595 98 76-01	HYDRAULIC HOSE		1	
14	594 49 66-01	HYDRAULIC HOSE		1	
15	594 51 88-01	ADAPTER	90°, with O-ring	1	
16	594 51 87-01	ADAPTER	90°, with O-ring	2	
17	594 52 00-01	ADAPTER	With O-ring	1	
18	594 52 02-01	ADAPTER	45°	1	
19	595 99 43-01	ADAPTER	With O-ring	1	
20	594 51 93-01	ADAPTER	With O-ring	2	
21	594 46 29-01	OIL FILTER		1	
22	594 46 30-01	HEAD		1	21
23	594 46 31-01	FILTER		1	21
24	596 09 98-01	HYDRAULIC HOSE		1	
25	596 09 99-01	HYDRAULIC HOSE		1	
26	595 45 48-01	HOSE CLAMP		1	
27	594 46 81-01	HYDRAULIC HOSE		1	
28	594 51 89-01	ADAPTER	90°, with O-ring	1	
29	594 51 92-01	ADAPTER		1	
30	594 51 86-01	ADAPTER	90°, with O-ring	1	
31	594 49 67-01	HYDRAULIC HOSE		1	
32	595 06 66-01	WASHER	8.4 x 16 x 1.5 mm 0.33 x 0.63 x 0.06 in. 300 HV	6	
33	599 93 79-01	BRACKET		1	
34	595 06 73-01	WASHER	8.4 x 16 x 3.0 mm	4	
35	595 05 54-01	SCREW	M8 x 20 mm 8.8	2	
36	595 46 61-01	SCREW	M8 x 40 mm 8.8	2	
37	595 18 08-01	NUT	M8 A2K	2	
38	594 51 90-01	ADAPTER	90°, with O-ring	1	
39	596 08 67-01	BRACKET		1	
40	595 17 95-01	SCREW	M10 x 30 mm 8.8	2	
41	595 05 43-01	SCREW	M8 x 60 mm 8.8	2	
42	529 33 28-01	WASHER		1	
43	599 97 41-01	ADAPTER		1	
44	594 51 92-01	ADAPTER	With O-ring	1	
45	594 51 91-01	ADAPTER	45°	1	

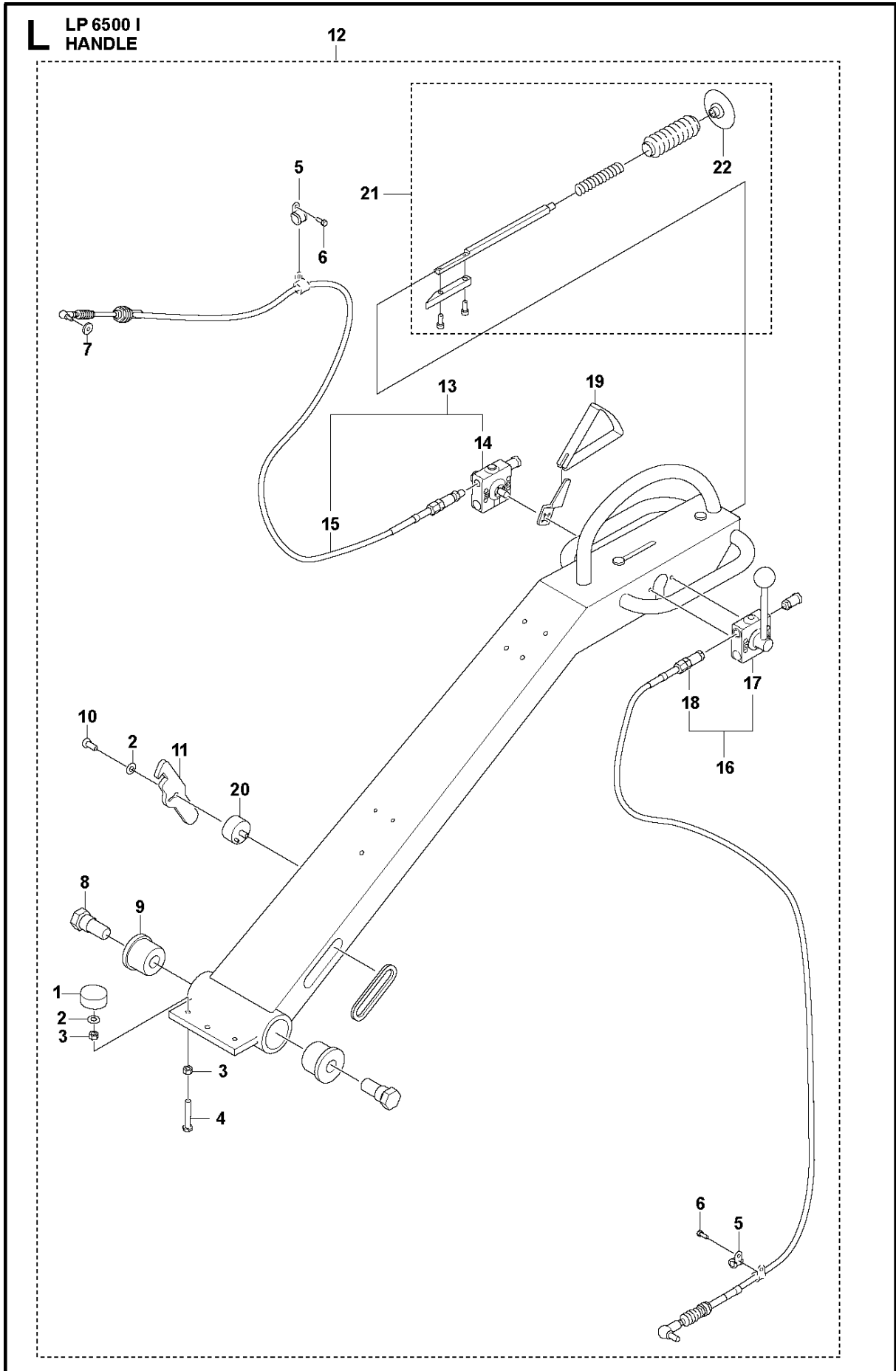
K LP 6500 I
ELECTRICAL



ELECTRICAL

LP 6500 I, 2020-10

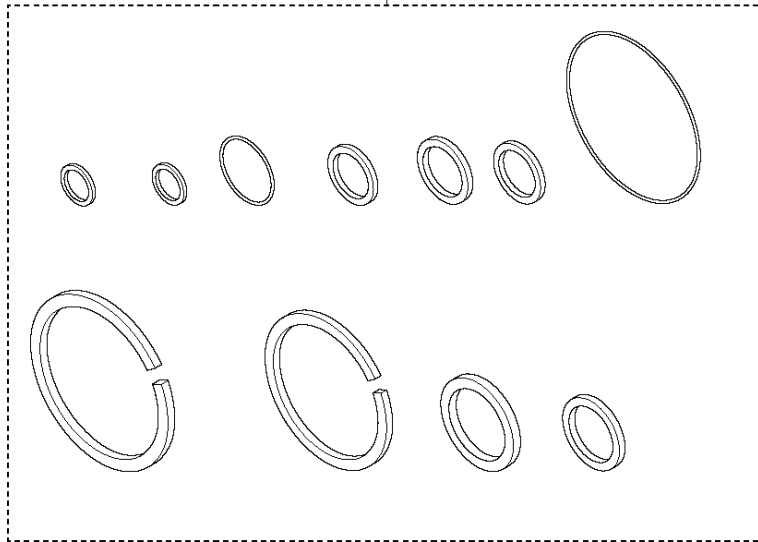
Ref	Part No	Description	Remark	QTY KIT
1	596 08 39-01	BATTERY		1
2	594 46 37-01	HOLDER		1
3	595 06 66-01	WASHER	8.4 x 16 x 1.5 mm	4
4	595 05 54-01	SCREW	M8 x 20 mm 8.8	2
5	595 18 08-01	NUT	M8 A2K	2
6	595 05 11-01	SWITCH		1
7	595 17 45-01	CLAMP		2
8	595 98 80-01	SCREW	M5 x 12 mm 8.8	4
9	594 51 39-01	CABLE	Connected to positive terminal of battery	1
10	594 51 40-01	CABLE		1
11	594 51 41-01	CABLE	Connected to negative terminal of battery	1
12	594 47 99-01	SPACER		1
13	595 18 68-01	WASHER	6.4 x 12 x 1.5 mm 0.25 x 0.47 x 0.06 in. 300 HV	2
14	595 05 58-01	SCREW	M6 x 50 mm 8.8	1
15	595 05 50-01	SCREW	M6 x 20 mm 8.8	1
16	594 46 43-01	SHROUD		2
17	594 46 44-01	SHROUD		1
18	596 86 58-33	UNIT		1
19	595 45 62-01	KEY		1
20	594 45 81-01	WIRE		1
21	595 06 71-01	WASHER	5.3 x 10 x 1 mm 0.21 x 0.39 x 0.04 in. 300 HV	8
22	595 18 11-01	NUT	M6 A2K	2
23	595 06 55-01	NUT	M8 A2K	1
24	596 08 68-01	BRACKET		1
25	595 46 62-01	SCREW	M10 x 25 mm 8.8	2
26	595 05 36-01	SCREW	M5 x 16 mm 8.8	4
27	596 10 60-01	PANEL	See engine manual for details	1
28	595 06 67-01	WASHER	10.5 x 22 x 2 mm 0.41 x 0.86 x 0.07 in. 300HV	2
29	595 05 85-01	SCREW	M8 x 20 mm Allen	2



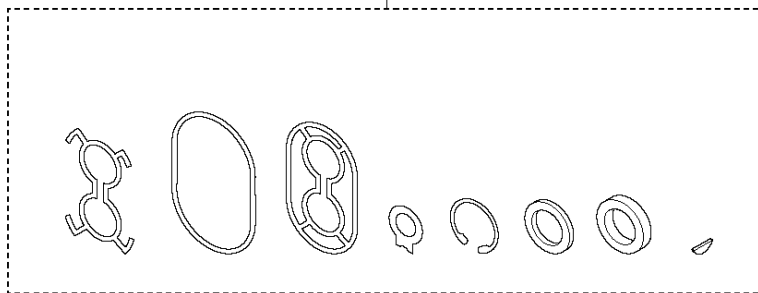
Ref	Part No	Description	Remark	QTY	KIT
1	594 51 83-01	RADIATOR		2	
2	595 06 67-01	WASHER	10.5 x 22 x 2.0 mm 0.41 x 0.87 x 0.08 in. 300 HV	3	
3	595 05 95-01	SCREW	M10 A3K	4	
4	595 05 47-01	SCREW	M10 x 60 mm 8.8	2	
5	595 18 83-01	CLAMP		1	
6	595 46 57-01	SCREW	M6 x 16 mm 8.8	2	
7	595 89 04-01	WASHER	6.4 x 22 x 4.0 mm 0.25 x 0.87 x 0.16 in. 300 HV	1	
8	594 45 06-01	SCREW		2	
9	594 45 05-01	BUSHING		2	
10	595 88 68-01	SCREW	M10 x 22 mm 8.8	1	
11	594 45 15-01	HOOK		1	
12	596 06 45-01	HANDLE		1	12
13	596 07 91-01	SERVICE KIT		1	
14	529 80 57-01	HANDLE		1	13
15	596 06 13-01	CONTROL		1	13
16	596 06 14-01	CONTROL		1	12
17	529 80 53-01	HANDLE		1	16
18	596 06 15-01	CONTROL		1	16
19	596 06 46-01	HANDLE		1	12
20	594 46 27-01	ABSORBER		1	
21	596 06 16-01	CONTROL		1	
22	596 07 34-01	STOP		1	21

M LP 6500 I
SEAL KIT

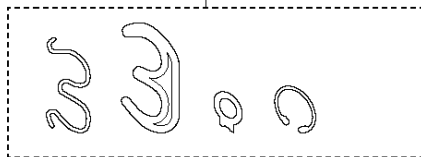
2



3



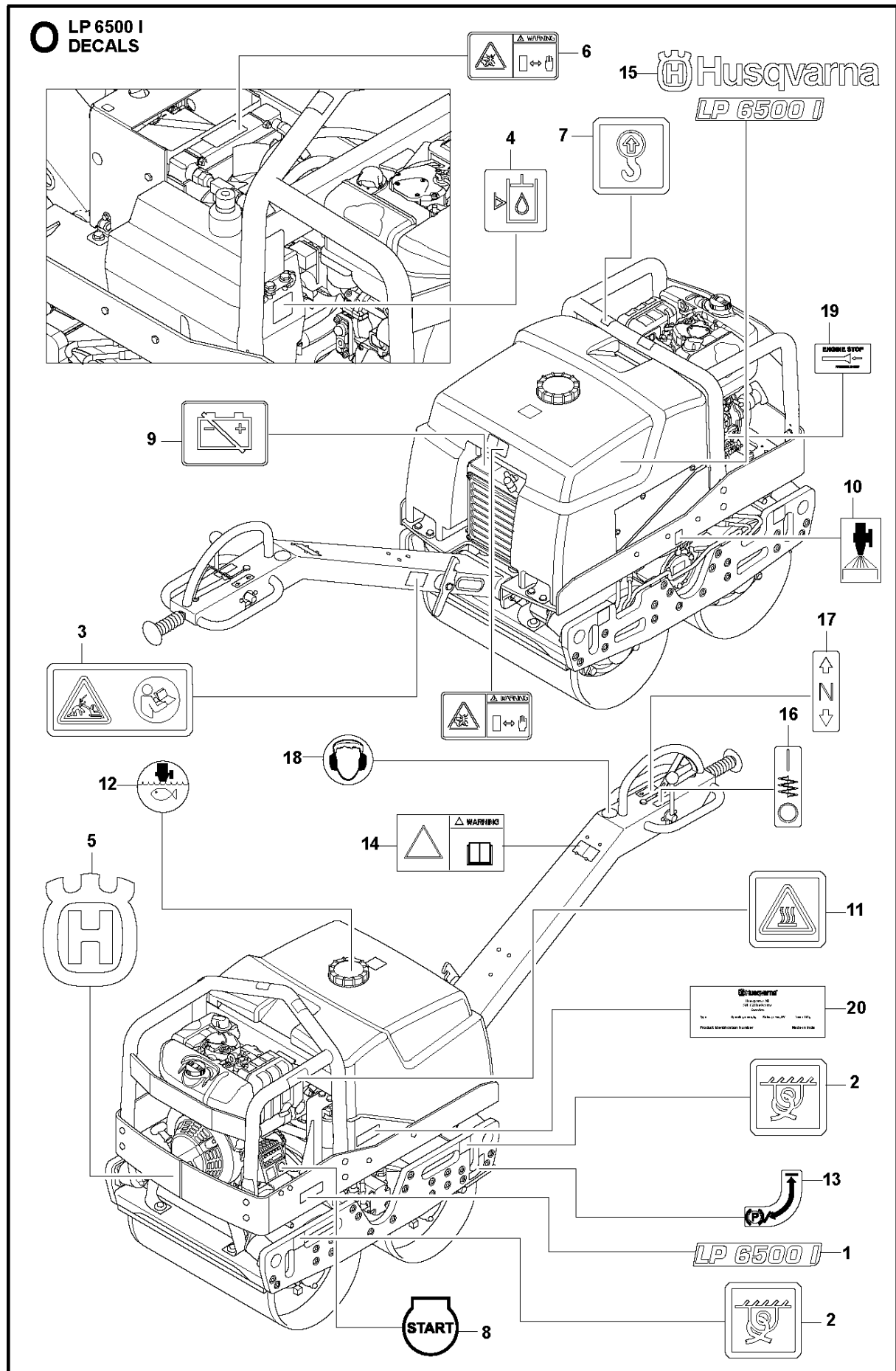
4



SEAL KIT

LP 6500 I, 2020-10

Ref	Part No	Description	Remark	QTY KIT
1	599 93 59-01	SEAL KIT		1
2	599 93 60-01	SEAL KIT		1
3	596 11 54-01	SEAL		1
4	599 93 78-01	SEAL KIT		1



DECALS

LP 6500 I, 2020-10

Ref	Part No	Description	Remark	QTY KIT
1	596 10 15-01	LABEL	"LP6500 I"	2
2	595 46 34-01	DECAL	Tie down point	4
3	594 51 78-01	DECAL	Lock handle	1
4	595 04 97-01	DECAL	Hydraulic oil level	1
5	594 14 17-01	DECAL	Husqvarna	1
6	595 06 53-01	DECAL	Rotating engine components	2
7	595 05 12-01	DECAL	Lifting point	2
8	599 93 85-01	DECAL	"START"	1
9	595 18 76-01	DECAL	Battery power	1
10	594 80 19-01	DECAL	Sprinkler	1
11	595 18 61-01	DECAL	Hot surfaces	1
12	594 31 67-01	DECAL	Water	1
13	594 46 72-01	DECAL	Handbrake	1
14	594 53 53-01	DECAL	Read instruction manual	1
15	594 14 16-01	DECAL	Husqvarna	2
16	595 98 18-01	DECAL	Vibration	1
17	595 98 19-01	DECAL	Forward/Reverse	1
18	594 33 71-01	DECAL	Use ear protection	1
19	599 93 86-01	DECAL	Engine stop label	1
20	599 93 98-01	PLATE		1