



LOGTH2448T

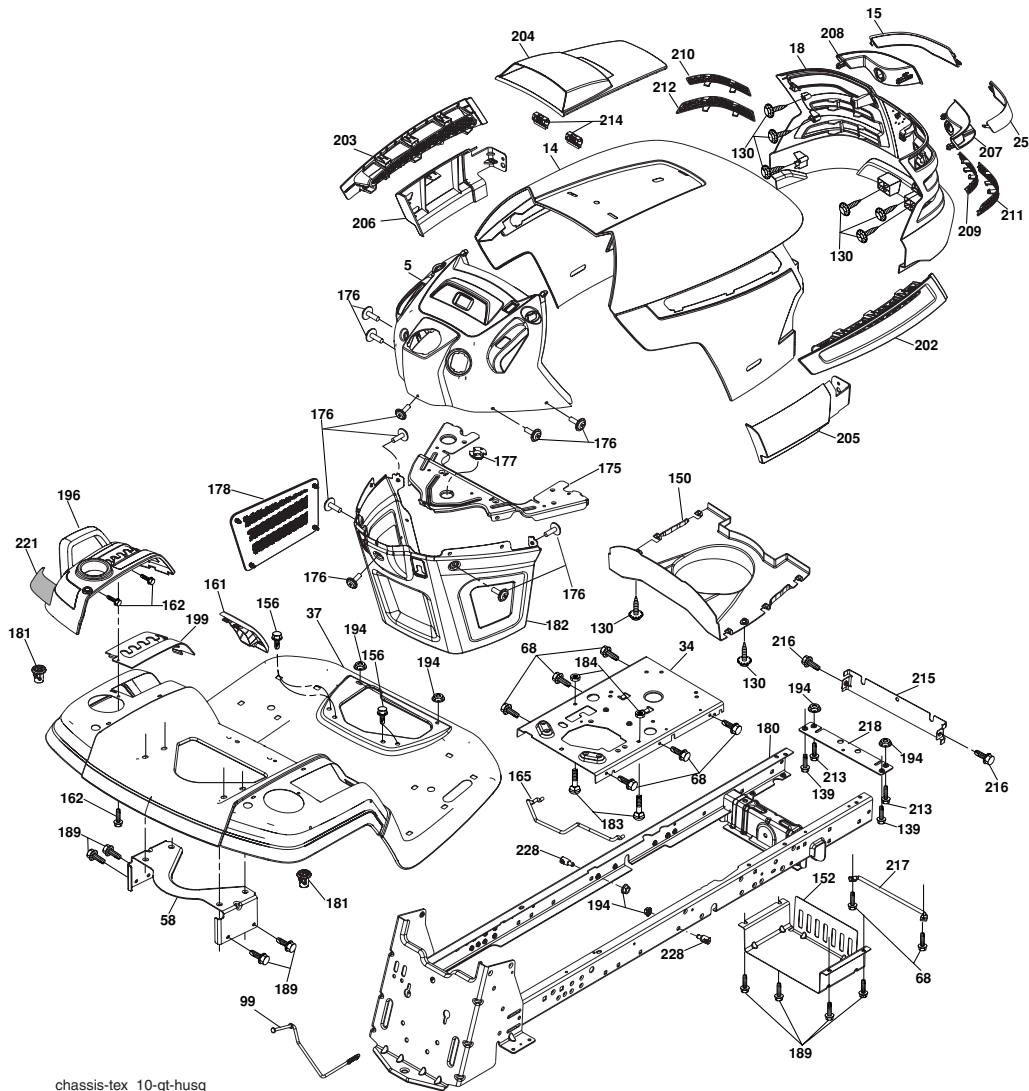
Repair Parts Manual

**TRACTOR -- MODEL NUMBER LOGTH2448T (96045000300), PRODUCT NO. 960 45 00-03
ELECTRICAL**

KEY NO.	PART NO.	DESCRIPTION
1	532 14 49-27	Battery
2	874 76 04-12	Bolt Hex Hd 1/4-20 unc x 3/4
8	532 18 64-91	Battery Box
16	532 17 61-38	Switch Interlock
21	532 18 37-59	Harness Socket Light
22	532 00 41-52	Bulb, Light # 1156
24	532 40 02-53	Cable Battery
25	532 19 88-93	Cable Starter
26	532 17 51-58	Fuse
27	873 51 04-00	Nut Keps Hex 1/4-20 unc
28	532 14 54-91	Cable Ground 21" Blk 6 Ga.
29	532 40 15-45	Switch Seat
30	532 19 33-50	Switch Ign
33	532 14 04-01	Key Ign Molded Generic
34	532 11 07-12	Switch Light/Reset
40	532 40 11-05	Harness Ign
41	871 72 04-08	Screw Thd Cut 1/4-20 x 1/2
42	532 13 15-63	Cover Terminal Red
43	532 19 25-07	Solenoid
46	532 19 81-38	Gauge Hourmeter
50	532 17 46-52	Switch PTO
55	817 49 05-12	Screw Thdrol 5/16-18 x 3/4
59	532 40 03-03	Outlet 12-Volt
71	532 19 42-76	Harness Ign. Dash
90	532 18 04-49	Cover Terminal Battery
91	532 19 02-70	Strap Battery
99	817 67 04-12	Screw Hexwsh Thdrol 1/4-20 x 3/4
100	819 09 14-16	Washer 9/32 x 7/8 x 16 Ga.

NOTE: All component dimensions given in U.S. inches
1 inch = 25.4 mm

**TRACTOR -- MODEL NUMBER LOGTH2448T (96045000300), PRODUCT NO. 960 45 00-03
CHASSIS AND ENCLOSURES**



chassis-tex_10-gt-husq

**KEY PART
NO. NO.**

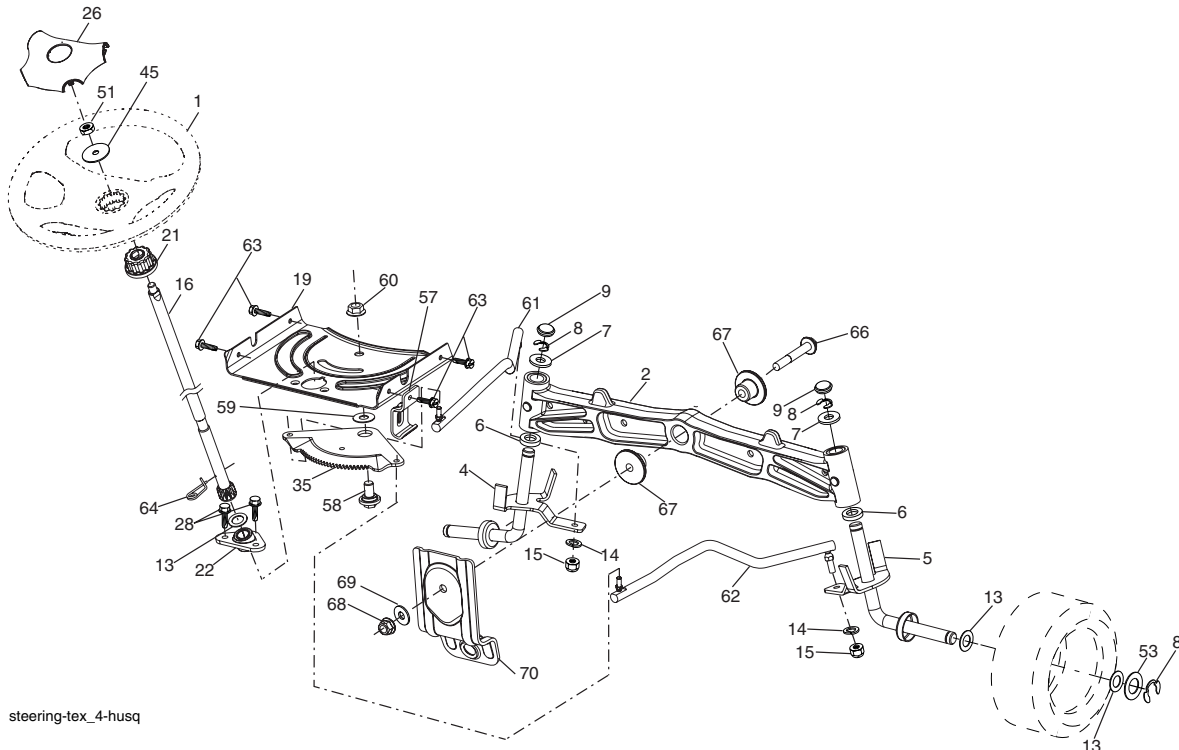
KEY PART NO.	NO.	DESCRIPTION
5	532 40 18-23	Dash
14	532 40 18-24	Hood
15	532 19 89-07	Lens LH
18	532 40 02-97	Grille
25	532 19 89-06	Lens RH
34	532 19 61-25	Plate Engine
37	532 40 18-25	Fender
58	532 19 43-14	Bracket Fender
68	817 49 05-08	Screw 5/16-18 x 1/2
99	532 19 82-53	Rod Bypass Asm.
130	532 19 16-11	Screw 10 x 3/4 Single Lead Hex
150	532 19 85-13	Duct Heat Hood
152	532 19 63-90	Shield Browning/Debris
156	817 00 05-12	Screw 5/16-18 x 3/4
161	532 40 18-26	Console Fuel Window
162	532 14 24-32	Screw Hex Wsh Hi-Lo 1/4 x 1/2
165	532 19 68-26	Bracket Support Tank
175	532 19 63-04	Crossmember
176	532 40 07-76	Screw 10-24 x 5/8 Wshd Qdrx
177	532 19 52-27	Bushing Steering
178	532 19 97-82	Cargo Asm. Net
179	532 40 35-71	Plug N/Cruise
180	532 40 15-59	Chassis
181	532 40 30-25	Bushing Mtg. Fender Crgo.

**KEY PART
NO. NO.**

KEY PART NO.	NO.	DESCRIPTION
182	532 19 47-87	Dash Lower
189	817 00 05-12	Screw 5/16-18 x 3/4
194	873 90 05-00	Nut Lock Hex Flange 5/16-18
196	532 40 02-99	Console Asm. Deck Lift
199	532 19 82-59	Plate Deck Lift
202	532 40 30-48	Vent Side Hood RH
203	532 40 30-76	Vent Side Hood LH
204	532 19 89-04	Vent Asm Hood Top
205	532 40 17-09	Skirt Hood Side RH
206	532 40 17-11	Skirt Hood Side LH
207	532 19 71-98	Bezel RH
208	532 19 71-99	Bezel LH
209	532 19 91-30	Insert Hex Top RH
210	532 19 91-31	Insert Hex Top LH
211	532 19 91-32	Insert Hex Bottom RH
212	532 19 91-33	Insert Hex Bottom LH
213	874 76 05-12	Bolt Hex Hd 5/16-18 unc x 3/4
214	532 19 91-45	Clip Retainer
215	532 19 80-43	Cover Chassis Front
217	532 15 65-24	Rod Pivot
218	532 19 63-95	Hood Stop
221	532 19 89-09	Reflector LH

NOTE: All component dimensions given in U.S. inches 1 inch = 25.4 mm

**TRACTOR -- MODEL NUMBER LOGTH2448T (96045000300), PRODUCT NO. 960 45 00-03
STEERING ASSEMBLY**



steering-tex_4-husq

**KEY PART
NO. NO.**

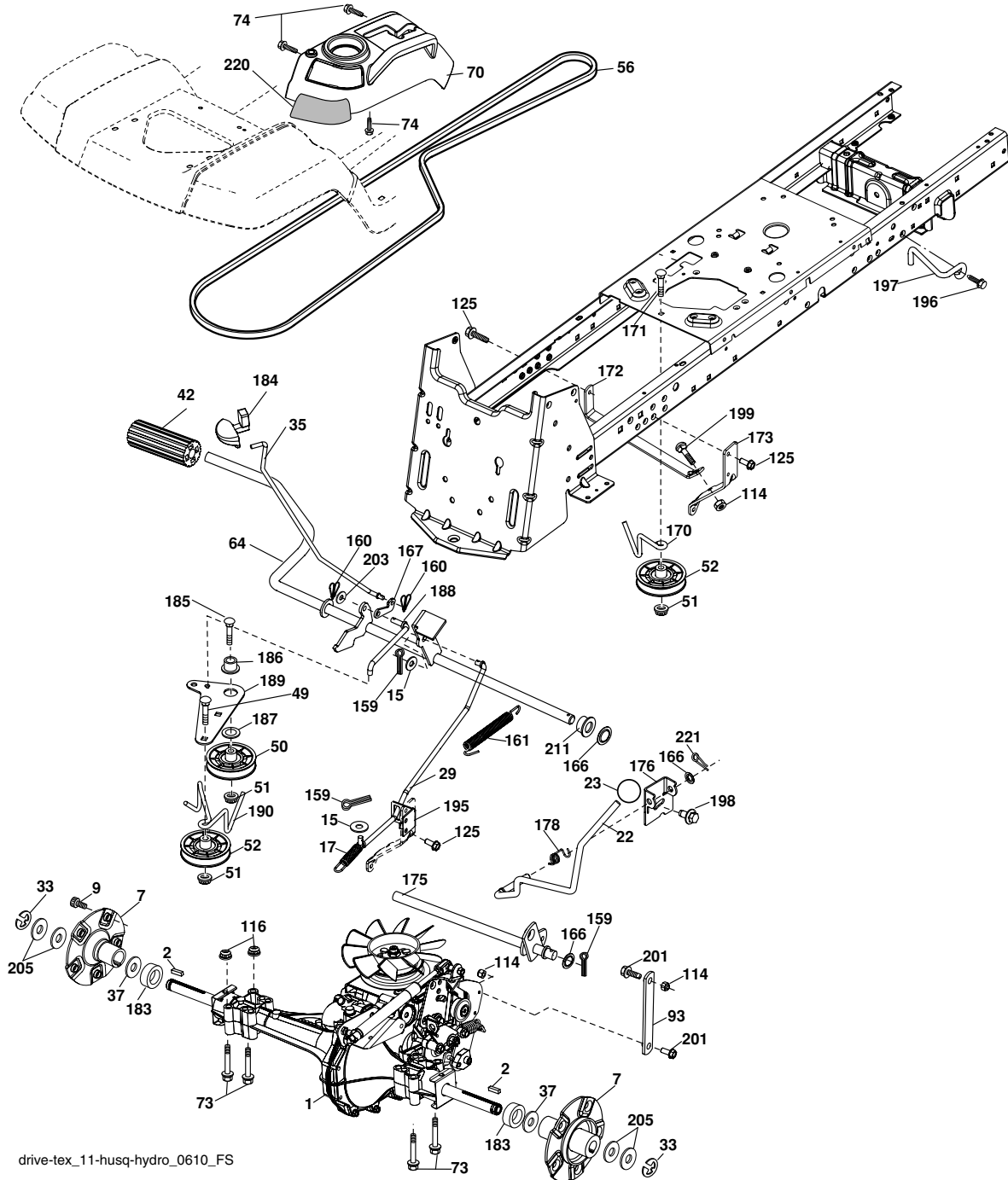
KEY PART NO.	NO.	DESCRIPTION
1	532 19 39-43	Wheel, Steering
2	532 19 59-68	Axle Asm., Front
4	532 19 79-37	Spindle Asm., LH
5	532 19 79-36	Spindle Asm., RH
6	532 12 49-31	Bearing, Race Thrust Harden
7	532 12 17-48	Washer 25/32 x 1-5/8 x 16 Ga.
8	812 00 00-29	Ring, Klip #T5304-75
9	532 12 12-32	Cap, Spindle
13	532 12 17-49	Washer 25/32 x 1-1/4 x 16 Ga.
14	810 04 06-00	Washer, Lock Hvy Hlcl Spr 3/8
15	873 54 06-00	Nut, Crown Lock 3/8-24 unf
16	532 19 47-46	Shaft Steering
19	532 19 47-29	Plate Steering
21	532 18 67-37	Adapter, Wheel Steering
22	532 19 48-45	Bushing, Strg. Blk
26	532 19 36-52	Insert, Wheel Steering
28	817 00 06-12	Screw 3/8-16 x 3/4
35	532 19 47-32	Gear, Sector Plate
45	819 18 38-12	Washer 9/16 x 2-3/8 x 12 Ga.
51	873 94 08-00	Nut Hex Jam Toplock 1/2-20 unf

**KEY PART
NO. NO.**

KEY PART NO.	NO.	DESCRIPTION
53	532 18 89-67	Washer Hardened .793 x 1.637 x .060
57	532 19 72-46	Bracket Upstop
58	532 19 47-47	Bolt Shoulder Sector Pivot CFM
59	532 19 47-48	Washer Thrust Sector Steering
60	873 97 10-00	Nut Flange Lock 5/8-11
61	532 19 47-40	Draglink LH
62	532 19 47-41	Draglink, RH
63	817 00 05-12	Screw 5/16-18 x 3/4
64	532 19 98-49	Retainer Clip Spring Steering
66	871 02 07-48	Bolt Hex Fghd 7/16-14 x 3 Serr
67	532 19 47-37	Bushing PM Front Axle
68	873 90 07-00	Nut Lock Flange 7/16-14 Gr. 5
69	532 19 91-62	Washer 1.5 x .505 x .118
70	532 19 61-97	Bracket Deck Susp. Front

NOTE: All component dimensions given in U.S. inches 1 inch = 25.4 mm

TRACTOR -- MODEL NUMBER LOGTH2448T (96045000300), PRODUCT NO. 960 45 00-03
GROUND DRIVE



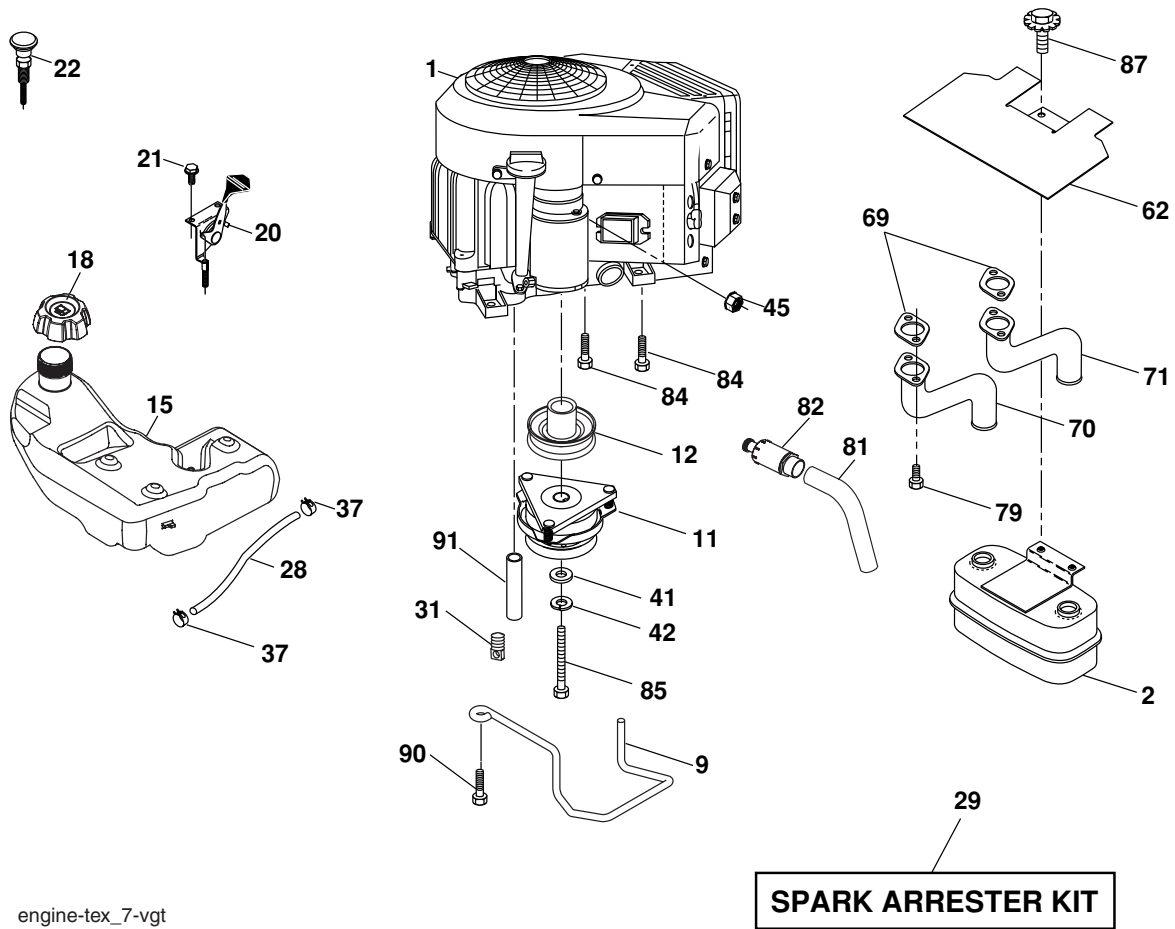
drive-tex_11-husq-hydro_0610_FS

**TRACTOR -- MODEL NUMBER LOGTH2448T (96045000300), PRODUCT NO. 960 45 00-03
GROUND DRIVE**

KEY NO.	PART NO.	DESCRIPTION	KEY NO.	PART NO.	DESCRIPTION
1	-----	Transaxle, Hydro 344-0610 (Order Parts from Transaxle Manufacturer)	161	532 19 54-03	Spring, Return, Clutch
2	532 18 62-11	Key 1/4 x 2.5	166	532 19 72-90	Nut Push .625
7	532 19 98-44	Hub Asm. Wheel	167	532 19 62-11	Latch Brake Parking
9	532 14 00-80	Bolt Hub Wheel	170	532 19 43-22	Keeper Belt Centerspan
15	819 13 13-16	Washer 13/32 x 13/16 x 16 Ga.	171	872 11 06-16	Bolt
17	532 19 72-96	Spring, Brake	172	532 19 76-56	Strap Torque LH
22	532 19 73-29	Shifter Rod	173	532 19 74-24	Strap Torque RH
23	532 13 05-64	Knob	175	532 19 76-53	Shaft Asm Shift
29	532 19 94-67	Rod, Brake	176	532 19 62-14	Arm, Shift Rod
33	812 00 00-60	Ring E	178	532 19 74-56	Spring Shift
35	532 19 95-91	Rod, Brake, Park	183	532 40 04-24	Spacer Split
37	532 12 17-49	Washer	184	532 40 31-18	Handle Parking Brake
42	532 12 48-72	Cover, Foot Pedal	185	872 11 06-20	Bolt Rdhd Sqnk 3/8-16 x 2-1/2
49	872 11 06-14	Bolt	186	532 19 43-21	Spacer Retainer
50	532 19 43-27	Pulley Idler Flat	187	819 13 32-10	Washer
51	873 90 06-00	Lock Nut 3/8-16	188	532 19 43-23	Link Clutch Ground Drive
52	532 19 43-26	Idler V-Groove 910" Offset	189	532 19 43-17	Bellcrank Ground Drive
56	532 14 02-18	V-Belt, Drive	190	532 19 43-18	Keeper Bellcrank Ground Dr.
64	532 19 62-00	Shaft Asm. Pedal Brake Con- trol	195	532 19 80-12	Bracket Rod Brake
70	532 40 02-98	Control Asm.	196	817 00 06-16	Screw 3/8-16 x 1
73	874 49 05-44	Bolt Hex Flghd 5/16-18 Gr. 5	197	532 19 97-69	Bracket Clutch Anti-Rotation
74	532 14 24-32	Screw 1/4 x 1/2	198	532 19 94-96	Screw 7/16-14 x 7/8 Flghd
93	532 19 82-54	Link Shift	199	872 14 05-08	Bolt Rdhd Sqnk 5/16-18 unc x 1
114	873 80 05-00	Nut Lock Hex w/Insert 5/16-18 unc	201	532 16 96-12	Bolt Shoulder 5/16-18 unc
116	873 90 05-00	Nut Lock Hex Flange 5/16-18	203	819 11 11-16	Washer 11/32 x 11/16 x 16 Ga.
125	817 00 05-12	Screw 5/16-18 x 3/4	205	532 12 17-48	Washer
159	876 02 04-12	Pin Cotter 1/8 x 3/4	220	532 19 89-08	Reflector RH
160	532 16 94-84	Retainer Clip	221	532 40 31-87	Retainer Spring Clip Handle

NOTE: All component dimensions given in U.S.
inches 1 inch = 25.4 mm

**TRACTOR -- MODEL NUMBER LOGTH2448T (96045000300), PRODUCT NO. 960 45 00-03
ENGINE**



engine-tex_7-vgt

SPARK ARRESTER KIT

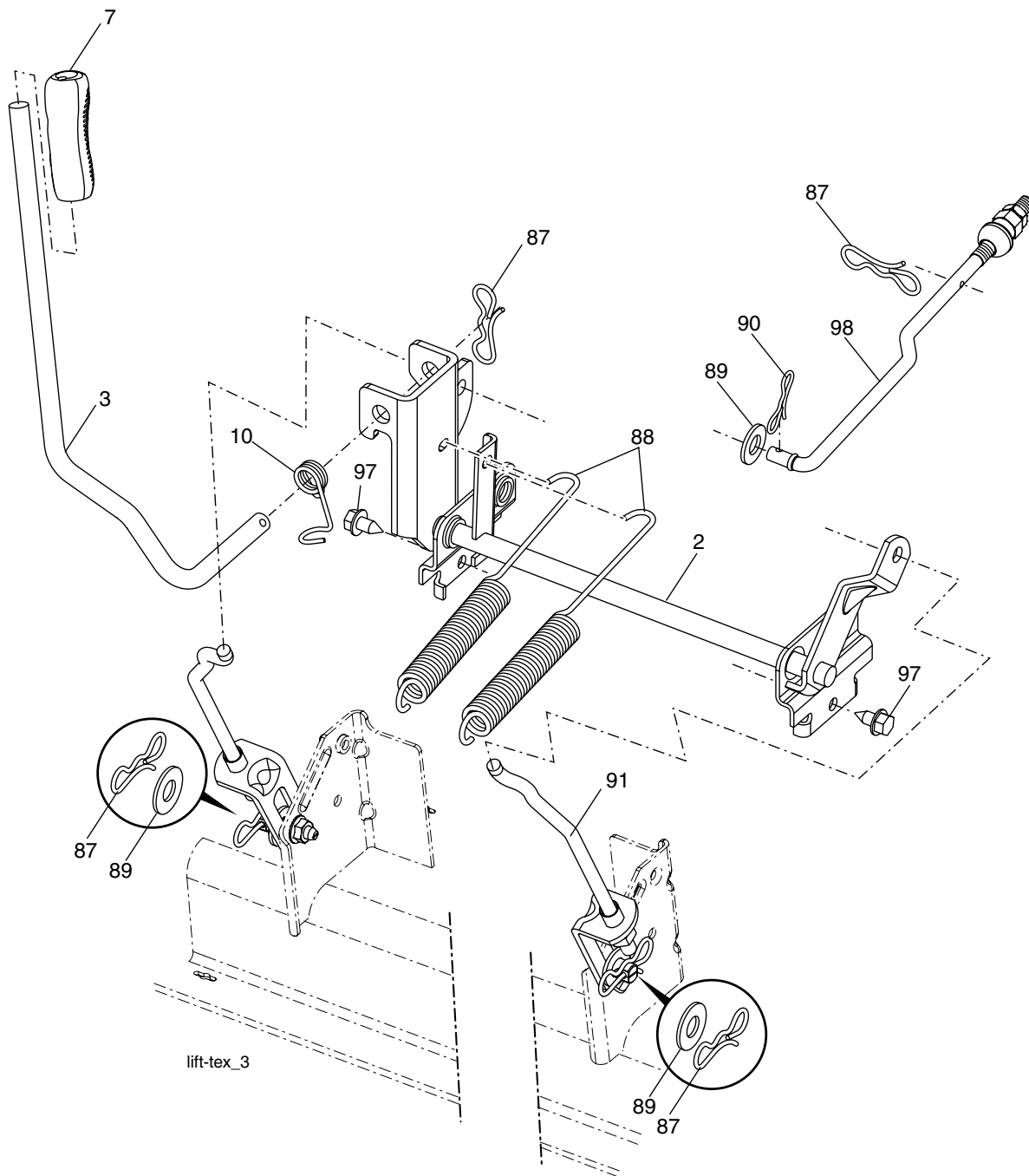
KEY PART NO.	PART NO.	DESCRIPTION
1	-----	Engine Briggs Model No. 445677
2	532 14 97-23	Muffler
9	532 19 43-19	Keeper Belt Engine
11	532 17 93-35	Clutch Electric
12	532 40 24-63	Pulley Engine
15	532 19 34-99	Tank Fuel 4.0
18	532 19 42-67	Cap Asm
20	532 17 83-85	Control Throttle
21	532 19 16-11	Screw 10 x 3/4 Single Lead Hex
22	532 18 95-41	Control Choke
28	532 40 11-35	Fuel Line
29	532 13 71-80	Spark Arrester Kit
31	532 14 50-06	Clip Push-In
37	532 12 34-87	Clamp Hose
41	532 12 61-97	Washer 1-1/2 OD x 15/32 ID x .250
42	810 04 07-00	Washer Lock 7/16
45	873 51 04-00	Nut Keps Hex 1/4-20 unc
62	532 14 66-29	Shield Heat Muffler
69	532 16 53-91	Gasket

KEY PART NO.	PART NO.	DESCRIPTION
70	532 15 99-55	Tube Exhaust LH
71	532 16 05-89	Tube Exhaust RH
79	532 18 39-06	Screw Socket Head 5/16-18 x 1
81	532 14 84-56	Tube Drain Oil Easy
82	532 18 16-54	Plug Drain Oil
84	817 06 06-20	Screw 3/8-16 x 1-1/4
85	532 17 99-53	Bolt Hex 7/16-20 x 3.75 Gr. 5
87	532 19 82-39	Bolt 5/16-18 unc x 1 w/Sems
90	817 00 06-16	Screw 3/8-16 x 1
91	532 18 74-95	Bushing

NOTE: All component dimensions given in U.S. inches 1 inch = 25.4 mm
For engine service and replacement parts, call the toll free number for your engine manufacturer listed below:

Briggs & Stratton	1-800-233-3723
Kohler Co.	1-800-544-2444
Tecumseh Products	1-800-558-5402
Honda Engines	1-800-426-7701
Kawasaki	1-949-460-5688

**TRACTOR -- MODEL NUMBER LOGTH2448T (96045000300), PRODUCT NO. 960 45 00-03
LIFT ASSEMBLY**



KEY PART

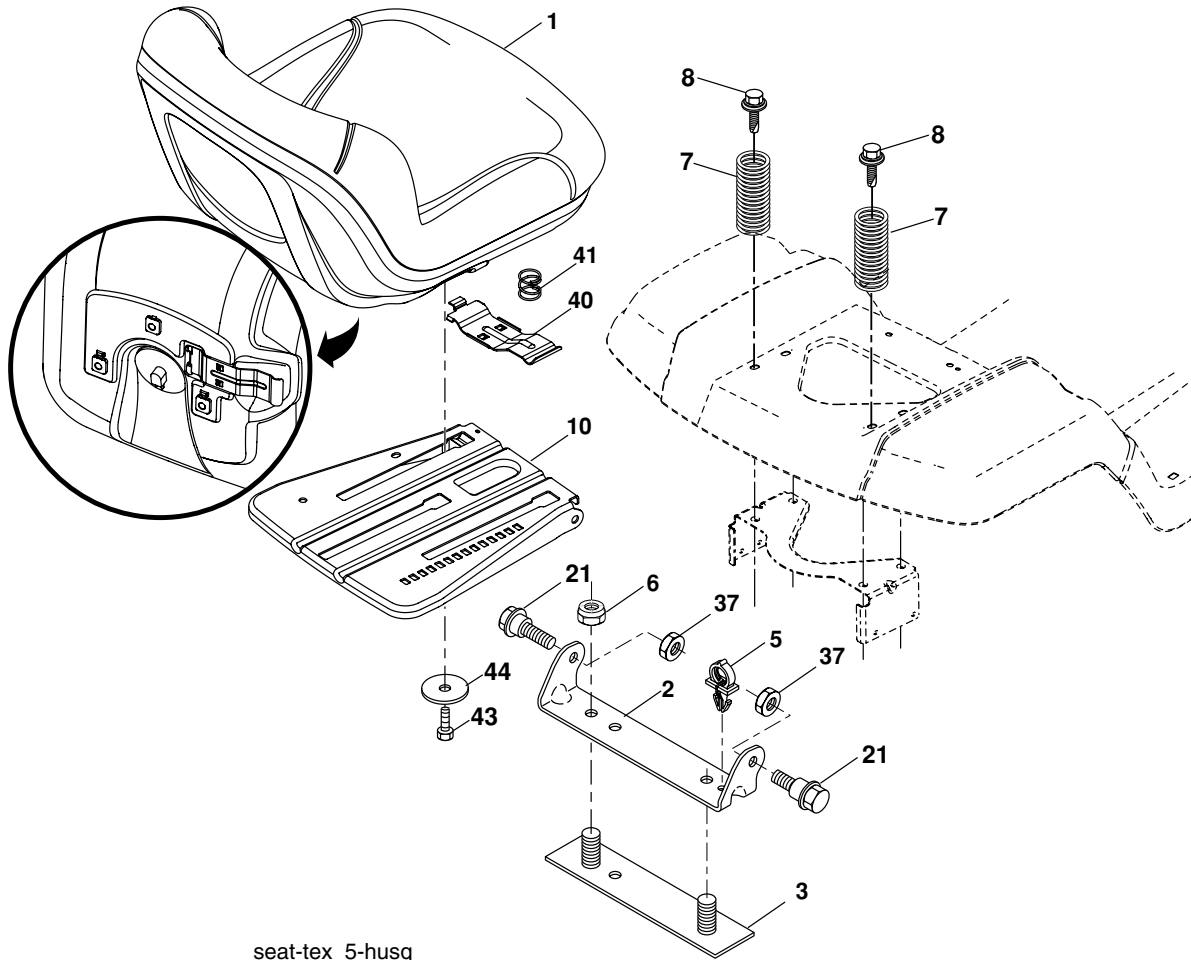
NO.	NO.	DESCRIPTION
2	532 19 52-23	Shaft Asm., Lift
3	532 19 52-30	Lever Asm., Lift Rh
7	532 19 64-92	Grip, Lever
10	532 19 63-14	Spring Torsion
87	532 19 42-09	Pin Cotter 7/16 Bow Tie Lock
88	532 19 53-04	Spring Lift Assist
89	819 19 19-12	Washer Clear Zinc
90	532 19 42-08	Pin Cotter 5/16 Bow Tie Lock
91	532 19 79-84	Link Lift Susp Mower Rear

KEY PART

NO.	NO.	DESCRIPTION
92	532 19 51-74	Bracket Connect Link Lift
95	532 19 51-71	Bushing Alignment Link Lift
97	817 06 06-12	Screw 3/8-16 x .75 Smgml Tap/R.Z
98	532 19 52-64	Link Lift Susp. Front Mower
99	532 19 52-63	Bushing Spherical Susp Front
100	873 36 07-00	Nut Hex Jam ASF 7/16-20 unf

NOTE: All component dimensions given in U.S. inches 1 inch = 25.4 mm

**TRACTOR -- MODEL NUMBER LOGTH2448T (96045000300), PRODUCT NO. 960 45 00-03
SEAT ASSEMBLY**



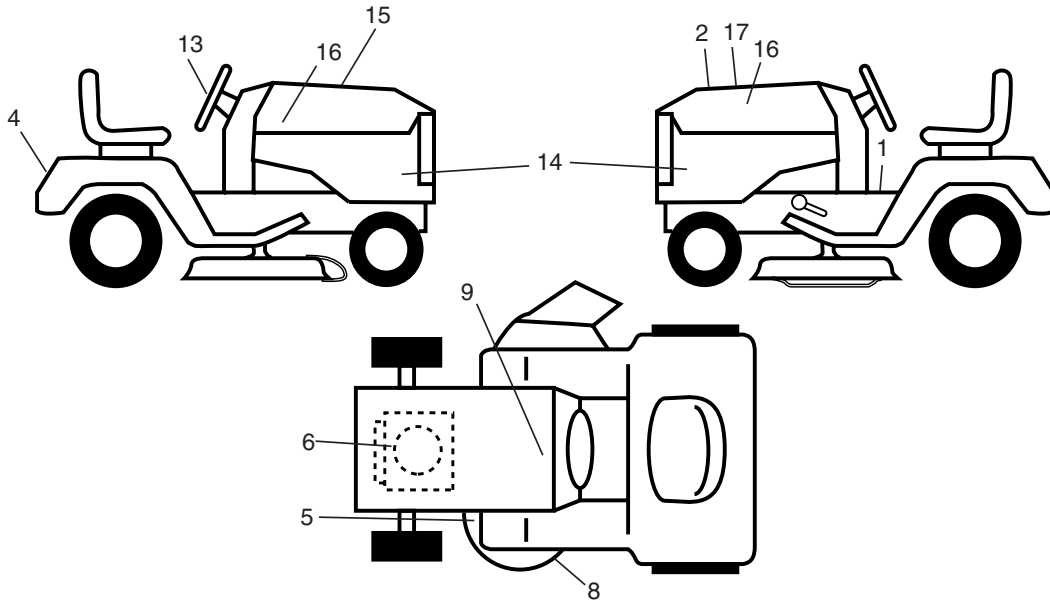
seat-tex_5-husq

KEY PART NO.	NO.	DESCRIPTION
1	532 19 75-26	Seat
2	532 18 01-66	Bracket Pivot Fender
3	532 14 06-75	Strap, Asm Fender
4	532 14 50-06	Clip, Push In, Hinged
5	532 14 50-06	Clip, Push In, Hinged
6	873 80 06-00	Nut, Lock W/Ins. 3/8-16 unc
7	532 12 41-81	Spring, Seat Cprsn
8	532 17 18-77	Bolt 5/16-18 uncx 3/4 w/Sems
10	532 19 69-77	Pan, Seat
21	532 17 18-52	Bolt, Shoulder 5/16-18
37	873 80 05-00	Nut, Lock 5/16-18 unc

KEY PART NO.	NO.	DESCRIPTION
40	532 19 76-61	Handle Slide Seat
41	532 19 82-00	Spring Latch Seat
43	874760612	Bolt Fin Hex 3/8-16 unc x 3/4
44	819133812	Washer 13/32 x 2-3/8 x 12 Ga.

NOTE: All component dimensions given in U.S. inches
1 inch = 25.4 mm

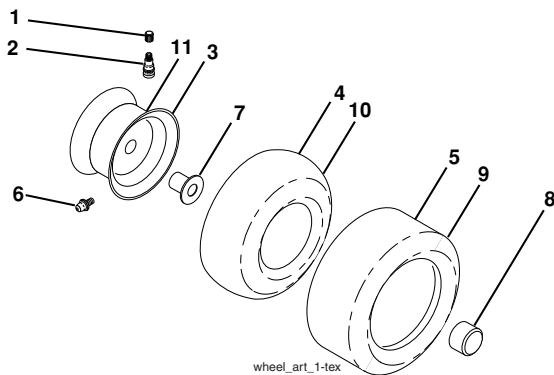
**TRACTOR -- MODEL NUMBER LOGTH2448T (96045000300), PRODUCT NO. 960 45 00-03
DECALS**



KEY PART NO.	PART NO.	DESCRIPTION
1	532 40 26-46	Decal, Operator's
2	532 40 21-28	Decal, Hood Insert
4	532 19 15-54	Decal, Fender
5	532 19 16-52	Decal, Caution
6	532 18 94-89	Decal, Eng. HP
8	532 19 87-85	Decal, Mower Sch.
9	532 14 50-05	Decal, Battery Dnge/Poi
13	532 18 89-25	Decal, Steering Whl
14	532 40 37-99	Decal, Panel Side

KEY PART NO.	PART NO.	DESCRIPTION
15	532 18 09-41	Decal, Cust. Resp.
16	532 40 28-32	Decal, Hood Logo
17	532 40 25-24	Decal, Replacement
--	532 16 69-60	Decal, Bypass
--	532 40 17-71	Pad, Footrest, LH
--	532 40 17-70	Pad, Footrest, RH
--	532 40 26-59	Manual, Operator's (Eng/Sp)
--	532 40 35-95	Manual, Repair Parts

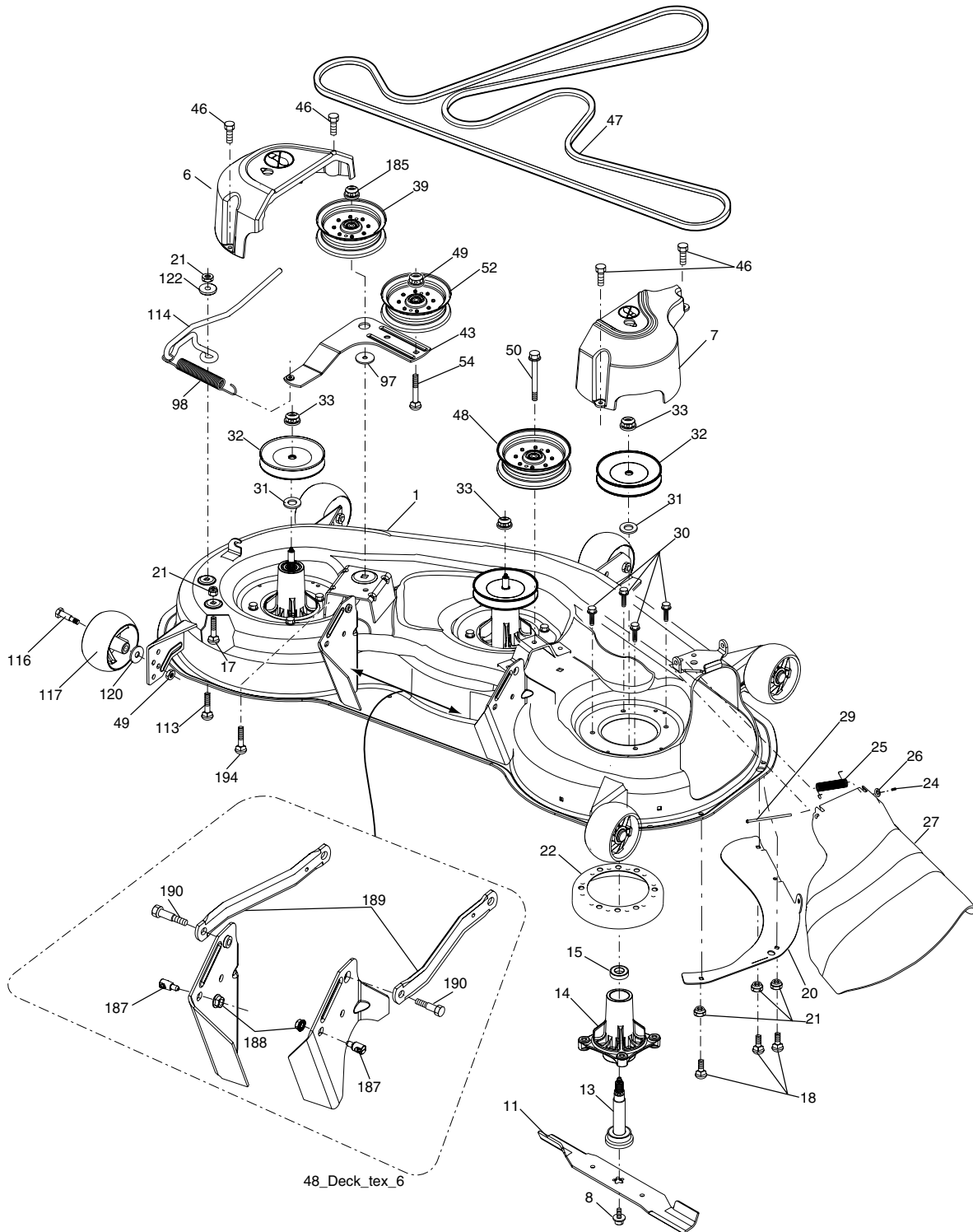
WHEELS & TIRES



KEY PART NO.	PART NO.	DESCRIPTION
1	532 05 91-92	Cap Valve Tire
2	532 06 51-39	Stem Valve
3	532 14 45-09	Rim Asm front
4	532 05 99-04	Tube Front (Service Item Only)
5	532 10 62-30	Tire front
6	532 12 49-57	Fitting Grease (Front Wheel Only)
7	532 12 49-59	Bearing Flange (Front Wheel Only)
8	532 17 50-39	Cap Axle Blk 1 50 x 1 00
9	532 18 47-08	Tire Rear
10	532 12 49-26	Tube Rear (Service Item Only)
11	532 40 17-82	Rim Asm Rear
--	532 14 43-34	Sealant, Tire (10 oz. Tube)

NOTE: All component dimensions given in U.S. inches 1 inch = 25.4 mm

**TRACTOR -- MODEL NUMBER LOGTH2448T (96045000300), PRODUCT NO. 960 45 00-03
MOWER DECK**



**TRACTOR -- MODEL NUMBER LOGTH2448T (96045000300), PRODUCT NO. 960 45 00-03
MOWER DECK**

KEY PART NO. NO.	DESCRIPTION	KEY PART NO. NO.	DESCRIPTION
1	532 40 35-82 Deck Weldment Mower	49	873 90 06-00 Nut, Lock Flg. 3/8-16 unc
6	532 19 72-48 Cover Mandrel LH	50	872 11 06-12 Bolt Carriage 3/8-16 x 1-1/2 Gr. 5
7	532 19 91-02 Cover Mandrel RH	52	532 19 61-06 Pulley Idler
8	532 17 43-65 Bolt 7/16 Asm. Blade	54	817 49 06-36 Screw 3/8-16 x 2-1/4
11	532 18 00-54 Blade High Lift	97	532 17 85-15 Washer Hardened
13	532 18 72-91 Shaft Asm. w/Lower Bearing	98	532 19 61-05 Spring Drive
14	532 18 72-81 Housing, Mandrel	113	872 11 05-08 Bolt Rdhd Sqnk 5/16-18 x 3/4
15	532 11 04-85 Bearing, Ball, Mandrel	114	532 19 74-51 Rod Tension Relief
17	872 11 05-05 Bolt Carriage 5/16-18 x 5/8	116	532 19 34-06 Bolt, Shoulder
18	872 14 05-05 Bolt RdHd 5/16-18 unc x 5/8	117	532 17 48-73 Gauge Wheel
20	532 17 43-78 Baffle Vortex Mower	120	819 13 20-12 Washer 13/32 x 1-1/4 x 12 Ga.
21	873 68 05-00 Nut, Crownlock 5/16-18 unc	122	532 18 75-57 Bushing Tension Relief
22	532 17 44-93 Stripper Mandrel Deck	185	873 90 07-00 Nut Lock Flange 7/16-14 Gr. 5
24	532 10 53-04 Cap Sleeve	187	532 19 51-61 Stud Fastener w/"D" Anti-Ro- tation
25	532 17 81-02 Spring, Torsion	188	873 90 05-00 Nut Lock Hex Flange
26	532 11 04-52 Nut, Push	189	532 19 51-85 Arm Susp. Mower Rear
27	532 18 17-07 Deflector Shield	190	532 19 65-39 Bolt Shoulder
29	532 13 14-91 Rod, Hinge	194	872 14 07-16 Bolt Carr Sqnk 7/16-24 x 2
30	532 17 39-84 Screw, Thdroll Washer Head	--	532 18 72-92 Mandrel Asm. Service (In- cludes Key Nos. 13-15 and 33)
31	532 18 76-90 Washer, Spacer Mower Vented	--	532 40 12-38 Replacement Mower, Complete
32	532 17 34-35 Pulley, Mandrel		
33	532 40 02-34 Nut, Flg. Top Lock		
39	532 19 61-04 Pulley, Idler, Stationary LH		
43	532 19 60-65 Arm, Idler		
46	532 13 77-29 Screw, Thdroll. 1/4-20 x 5/8		
47	532 19 72-42 Belt Deck Drive		
48	532 17 79-68 Pulley Idler Clutching		

NOTE: All component dimensions given in U.S.
inches 1 inch = 25.4 mm