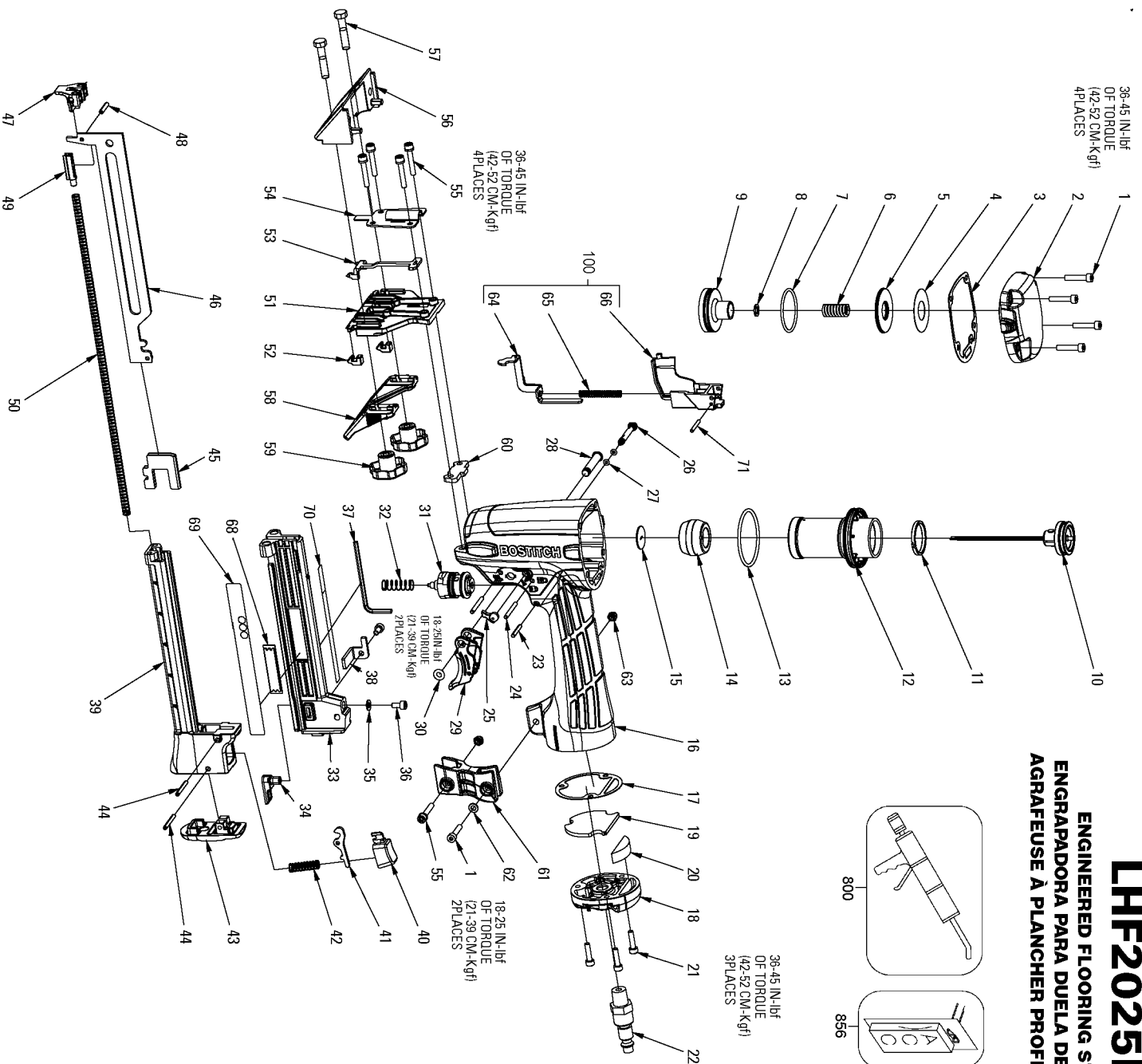


LHF2025K

ENGINEERED FLOORING STAPLER
 ENGRAPADORA PARA DUELA DE INGENIERÍA
 AGRAFUSE À PLANCHER PROFESSIONNELLE



Parts List for LHF2025K Type 0

Item Number	Part Number	Description	Qty Required
1	182237	SCREW	5
2	188609	CAP-FRAME	1
3	175682	GASKET-FRAME/CAP	1
4	180445	PLATE	1
5	180446	SEAL	1
6	180447	SPRING	1
7	180448	O RING	1
8	180449	WASHER FLAT	1
9	180450-S	HEAD VALVE BODY	1
10	188617	PISTON DRIVER ASSY	1
11	180457	RING-PISTON	1
12	184389	CYLINDER	1
13	180459	O-RING-44.7MMX2.4MM	1
14	180461	BUMPER	1
15	188610	DRIVER GUIDE	1
16	175656	FRAME-OVERMOLD	1
17	180463	GASKET-END CAP	1
18	180465	END CAP	1
19	182235	AIR FILTER	1
20	180577	MUFFLER	1
21	MSC4070-16	SCREW-SHCS-M4X0.7X16	3
23	180475	PIN-SPRING-M3X20MM	3
24	174345	PIN SPRING	1
25	184518	BUTTON-TRIGGER LOCK	1
26	184519	PIN-TRIGGER LOCK	1
27	MRG002514	O-RING-.098X.055	1
28	182182	PIN TRIGGER	1

Parts List for LHF2025K Type 0

Item Number	Part Number	Description	Qty Required
29	181956	TRIGGER ASSY.	1
30	182181	O-RING	1
31	TVA15	TRIGGER VALVE	1
32	180476	SPRING-TRIGGER	1
33	175651	ASSEMBLY-MAGAZINE-S9	1
34	121284	STOP-LATCH	1
35	MPW4	WASHER-PWN-M4	1
36	MSC4070-8	SCREW-SHCS-M4X0.70X8	1
37	121036	KEY-HEXAGON 3MM	1
38	116941	STOP-CORE	1
39	171274	MAGAZINE-SLIDE	1
40	167189	LATCH-COVER	1
41	116933	LATCH	1
42	113579	SPRING-LATCH	1
43	125262	BUMPER-REAR	1
44	159968	PIN-COILED-HD-M3X25	2
45	149736	PUSHER LHF	1
46	165350	CORE	1
47	188668	TIP CORE	1
48	125357	PIN-SPIRAL-1/8X5/8 L	1
49	152272	SHUTTLE-PUSHER	1
50	101069	SPRING-COMPRESSION	1
51	188612	NOSE-MACHINING	1
52	181932	NOSE INSERT	2
53	9R189987	LOWER CONTACT ARM	1
54	188614	TRIP-CONTACT	1
55	121052	SCREW-SHCS-M4X0.70X2	4

Parts List for LHF2025K Type 0

Item Number	Part Number	Description	Qty Required
56	152118	ANGLE BLOCK-GUIDE	1
57	117398	SCREW-HHCS-M6X1.0X30	2
58	158443	FOOT-ADJUSTABLE	1
59	188684	KNOB-M6X1.0	2
60	180208	PLATE-DRIVER	1
61	188613	MAGAZINE BRACKET	1
62	180504	WASHER, FLAT	1
63	MHE4070-100	ELASTIC STOP NUT-M4	1
64	180639	TRIP-UPPER	1
65	180646	TRIP SPRING	1
66	180641	GUIDE-LOWER CONTACT	1
68	188670	TIP	1
68	120927	LABEL-SENSOR SMALL (1
69	158612	LABEL-WARNING	1
70	188682	LABEL	1
71	189882	PIN,SOLID	1
100	9R195523	CONTACT ARM ASSY.	1
800	100653	LUBE (2CC)	1
800	100679	LUBE (1LB.CAN)	1
856	102341	BLOCK-INSTALLATION	1