

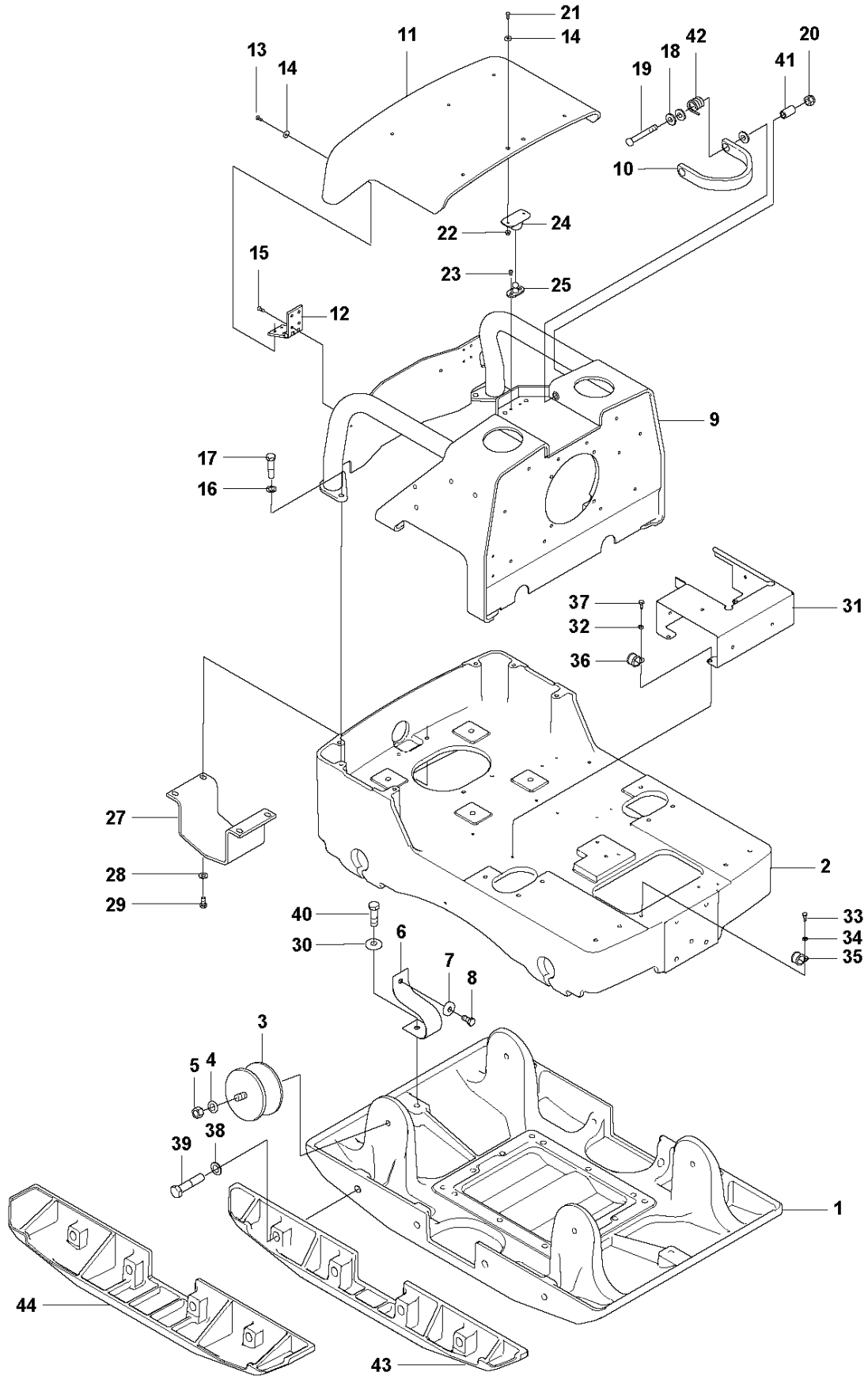


SPARE PARTS LIST

LIGHT COMPACTION

LH 700, 967897201, 967897202,
967897203, 967897204, 967897205,
967897206, 2022-01

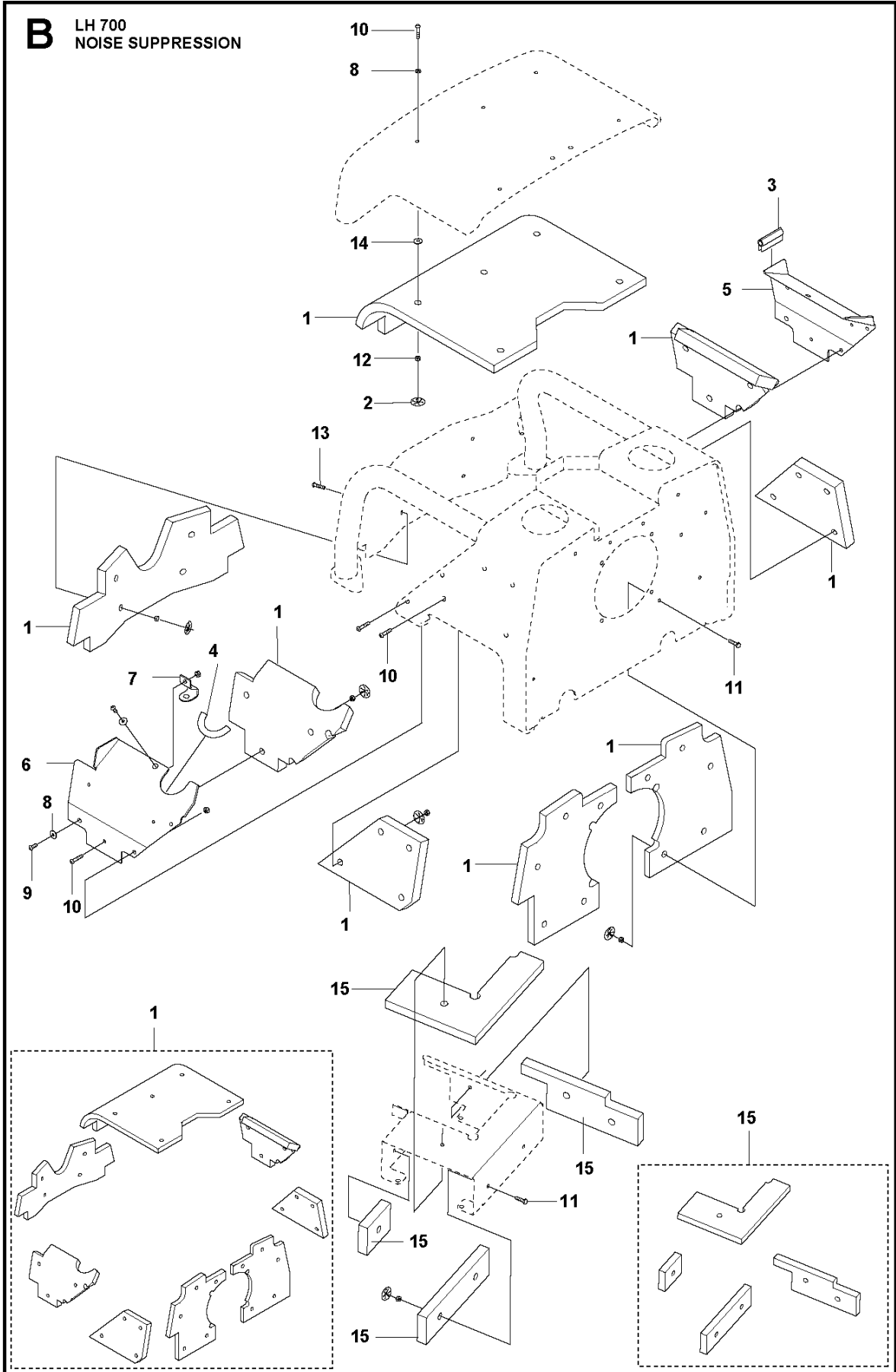
A LH 700
GROUND PLATE, ENGINE PLATE AND FRAME



GROUND PLATE, ENGINE PLATE & FRAME
 967897204, 967897205, 967897206, 2022-01

LH 700, 967897201, 967897202, 967897203,

Ref	Part No	Description	Remark	QTY KIT
1	594 46 82-01	PLATE		1
2	595 12 29-01	ENGINE PLATE		1
3	594 33 62-01	ABSORBER		4
4	595 03 67-01	WASHER		4
5	595 03 58-01	NUT		4
6	594 15 92-01	STRAP		2
7	594 12 40-01	WASHER		2
8	594 60 85-01	SCREW	Screw M10x025 10.9 Geomet	2
9	594 96 03-01	FRAME	Frame protective - Orange	1
10	594 15 85-01	HANDLE		1
11	594 95 96-01	HOOD	Hood	1
12	594 44 68-01	HINGE		2
13	595 06 77-01	SCREW		8
14	594 53 51-01	WASHER		10
15	594 53 49-01	SCREW		8
16	594 74 74-01	WASHER		8
17	595 19 33-01	SCREW		8
18	595 11 28-01	WASHER		6
19	595 17 93-01	SCREW		2
20	595 11 27-01	NUT		2
21	595 18 73-01	SCREW		2
22	595 35 24-01	NUT		2
23	595 06 56-01	SCREW		2
24	595 05 30-01	BUMPER		1
25	595 05 31-01	BUMPER		1
27	595 16 00-01	COVER		1
28	594 74 74-01	WASHER		4
29	594 11 84-01	SCREW		4
30	598 18 53-01	WASHER		2
31	594 45 31-01	INLET		1
32	595 03 65-01	PLANE WASHER		4
33	595 98 94-01	SCREW		1
34	595 03 66-01	WASHER		1
35	595 11 47-01	CLAMP		1
36	595 11 47-01	CLAMP		1
37	595 03 32-01	SCREW		4
38	595 06 70-01	WASHER		8
39	595 06 94-01	SCREW		8
40	595 99 98-01	SCREW		2
41	594 48 50-01	SPACER		2
42	594 48 91-01	SPRING		2
43	594 75 16-01	EXTENSION		2
44	595 17 34-01	PLATE		2

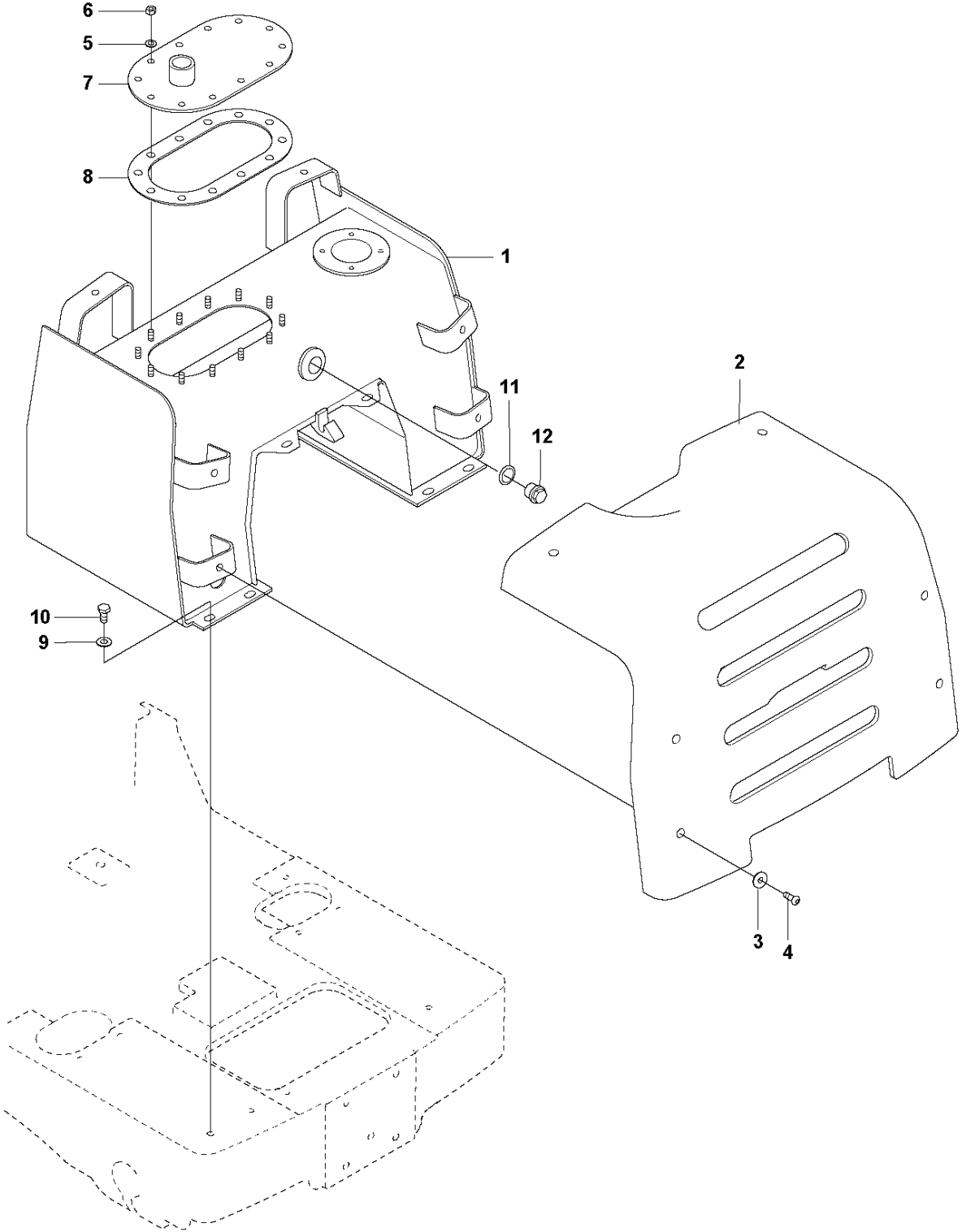


NOISE SUPPRESSION
967897206, 2022-01

LH 700, 967897201, 967897202, 967897203, 967897204, 967897205,

Ref	Part No	Description	Remark	QTY KIT
1	598 74 41-01	INSULATION	INSULATION cpl.	1
2	596 70 46-01	WASHER		32
3	595 06 61-02	TRIM		2
4	595 04 82-01	STRIP		1
5	595 27 86-01	PLATE	Plate cover	1
6	595 27 87-01	PLATE	Cover	1
7	595 17 41-01	BRACKET		2
8	594 53 51-01	WASHER		19
9	595 06 64-01	SCREW		4
10	594 53 65-01	SCREW		23
11	595 46 63-01	SCREW		10
12	595 28 75-01	HEXAGON NUT		33
13	594 83 60-01	SCREW		4
14	595 03 65-01	PLANE WASHER		5
15	598 74 41-02	INSULATION	INSULATION cpl.	1

C LH 700
HYDRAULIC OIL TANK

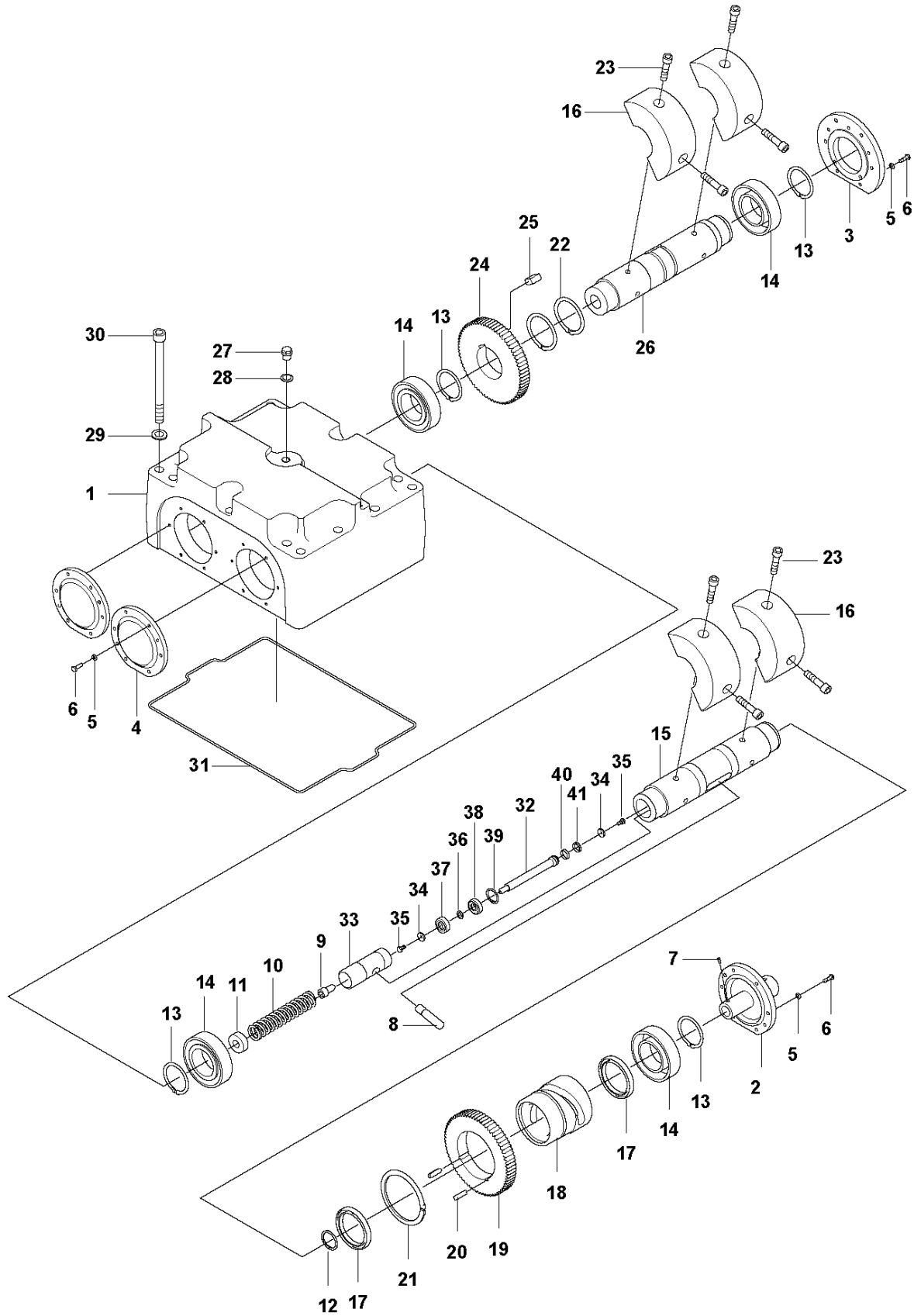


HYDRAULIC OIL TANK
967897206, 2022-01

LH 700, 967897201, 967897202, 967897203, 967897204, 967897205,

Ref	Part No	Description	Remark	QTY KIT
1	595 27 91-01	HYDRAULIC TANK	Hydraulic oil tank	1
2	594 95 97-01	HOOD		1
3	594 53 52-01	WASHER		1
4	594 53 50-01	SCREW		2
5	595 03 66-01	WASHER		25
6	595 03 57-01	NUT		25
7	595 12 31-01	COVER		1
8	594 35 26-01	GASKET		1
9	594 74 74-01	WASHER		1
10	594 11 84-01	SCREW		1
11	595 14 58-01	RING		1
12	595 18 74-01	PLUG		1

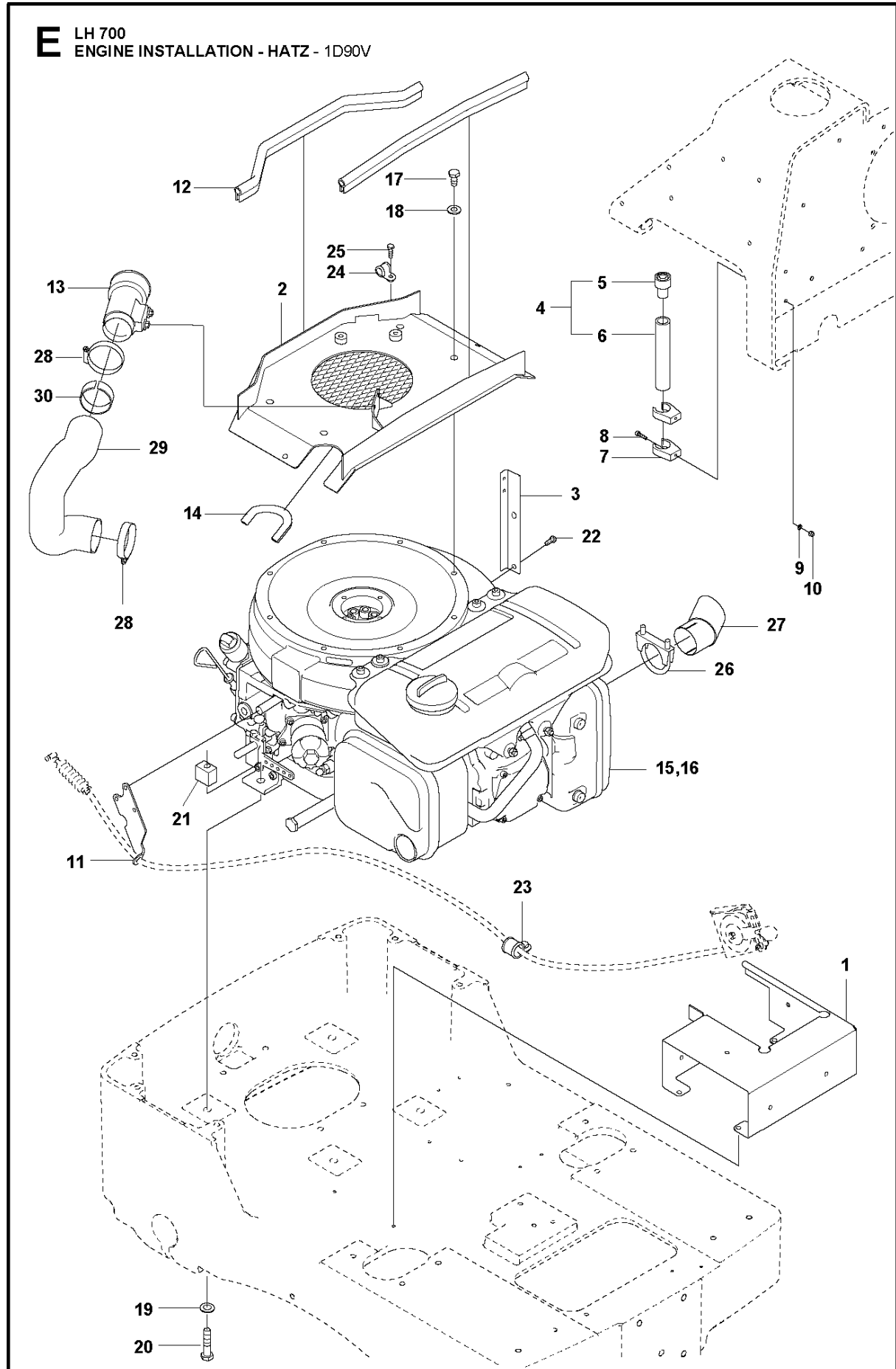
D LH 700
ECCENTRIC ELEMENT



ECCENTRIC ELEMENT
967897206, 2022-01

LH 700, 967897201, 967897202, 967897203, 967897204, 967897205,

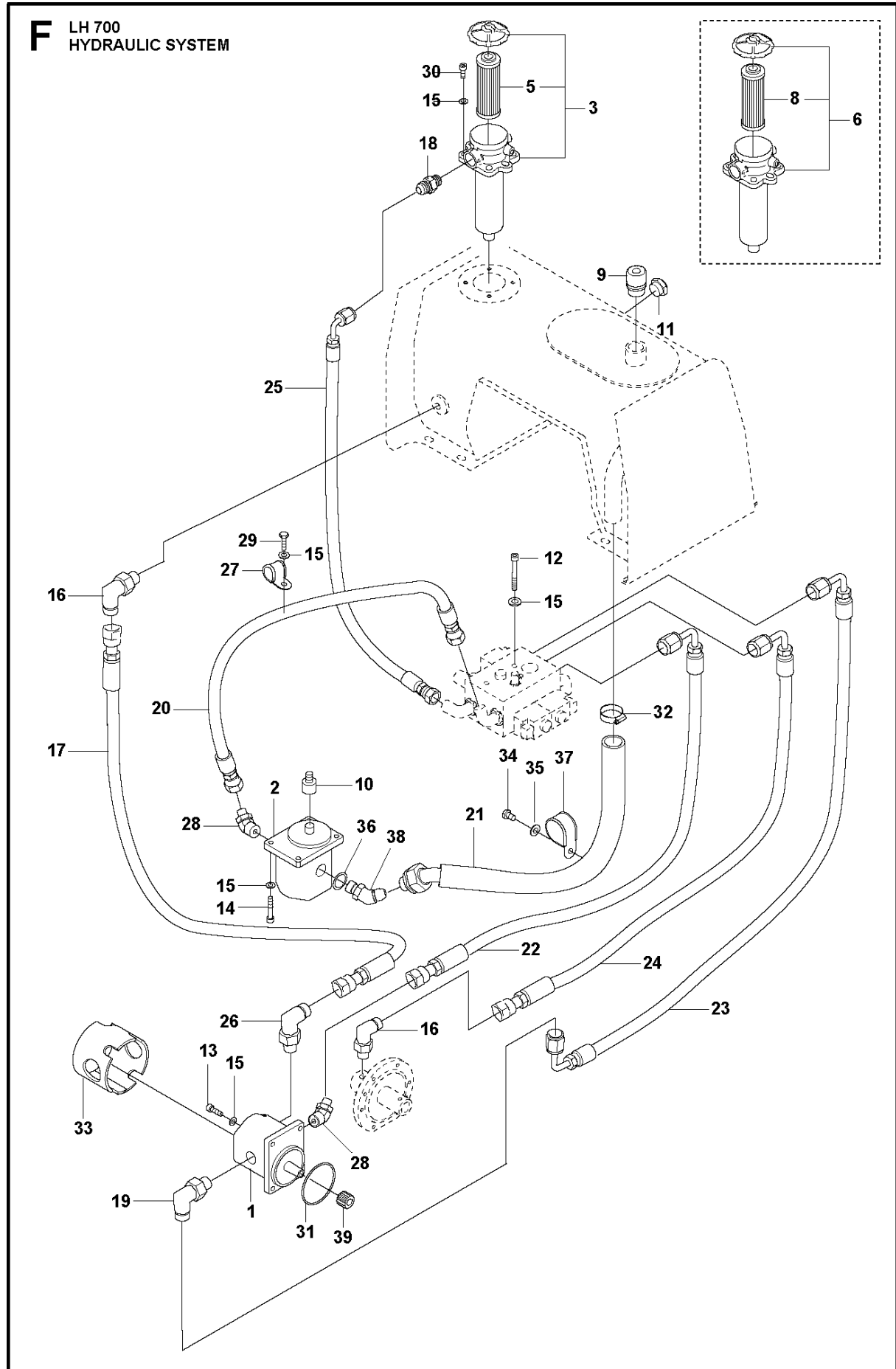
Ref	Part No	Description	Remark	QTY KIT
1	595 17 38-01	HOUSING		4
2	594 35 17-01	CYLINDER		1
3	595 45 36-01	COVER		4
4	595 45 33-01	COVER		2
5	595 03 65-01	PLANE WASHER		1
6	595 10 98-01	SCREW		1
7	594 43 81-01	STOP SCREW		2
8	594 33 57-01	PIN		1
9	594 44 39-01	STOP SCREW		2
10	594 33 61-01	SPRING		8
11	594 33 60-01	SLEEVE		1
12	594 26 61-01	RING		1
13	594 12 48-01	CIRCLIP		1
14	594 52 80-01	ROLLER BEARING		1
15	594 44 58-01	SHAFT		1
16	594 33 52-01	EXCENTER		14
17	594 52 81-01	BALL BEARING		14
18	594 33 56-01	SLEEVE		1
19	594 33 55-01	GEAR WHEEL		1
20	595 05 09-01	KEY		1
21	594 52 82-01	RETAINER RING		2
22	595 04 59-01	SNAP RING		2
23	595 07 16-01	SOCKET		1
24	594 33 53-01	GEAR WHEEL		1
25	594 33 54-01	KEY		1
26	594 44 89-01	SHAFT		1
27	595 04 83-01	PLUG		1
28	595 04 78-01	GASKET		1
29	595 03 67-01	WASHER		14
30	594 53 47-01	SCREW		14
31	594 53 71-01	O-RING		1
32	594 44 57-01	PISTON ROD		1
33	594 44 61-01	PISTON		1
34	594 44 62-01	WASHER		2
35	595 34 42-01	SCREW		2
36	594 53 67-01	SUPPORT RING		1
37	594 54 77-01	BALL BEARING		1
38	595 04 49-01	BEARING		1
39	595 03 73-01	RING		1
40	594 33 48-01	RING		1
41	594 33 47-01	PISTON		1



ENGINE INSTALLATION - HATZ
967897205, 967897206, 2022-01

LH 700, 967897201, 967897202, 967897203, 967897204,

Ref	Part No	Description	Remark	QTY	KIT
1	594 45 31-01	INLET		1	
2	594 46 25-01	COVER		1	
3	595 17 52-01	BRACKET		1	
4	594 33 69-01	HOSE		1	
5	594 28 52-01	ADAPTER		1	4
6	595 04 96-01	HOSE		1	4
7	594 32 95-01	CLIP		2	
8	595 05 75-01	SCREW		2	
9	594 12 38-01	PLANE WASHER		2	
10	595 35 22-01	LOCK NUT		2	
11	595 05 00-01	BRACKET		1	
12	595 06 61-02	TRIM		2	
13	594 31 35-01	CYLINDER		1	
14	595 04 82-01	STRIP		1	
15	596 24 12-12	ENGINE	from S/N 20190100551	1	
16	595 37 35-01	ENGINE		1	
17	594 11 84-01	SCREW		8	
18	594 74 74-01	WASHER		8	
19	595 06 68-01	WASHER		4	
20	595 03 36-01	SCREW		4	
21	594 35 20-01	SPACER		4	
22	595 03 32-01	SCREW		7	
23	595 18 63-01	CLAMP		1	
24	595 11 46-01	PIPE CLAMP		1	
25	595 10 98-01	SCREW		1	
26	595 05 05-01	CLAMP		1	
27	594 45 34-01	EXHAUST PIPE		1	
28	595 45 50-01	CLAMP		2	
29	594 53 77-02	HOSE		1	
30	594 45 38-01	TUBE		1	

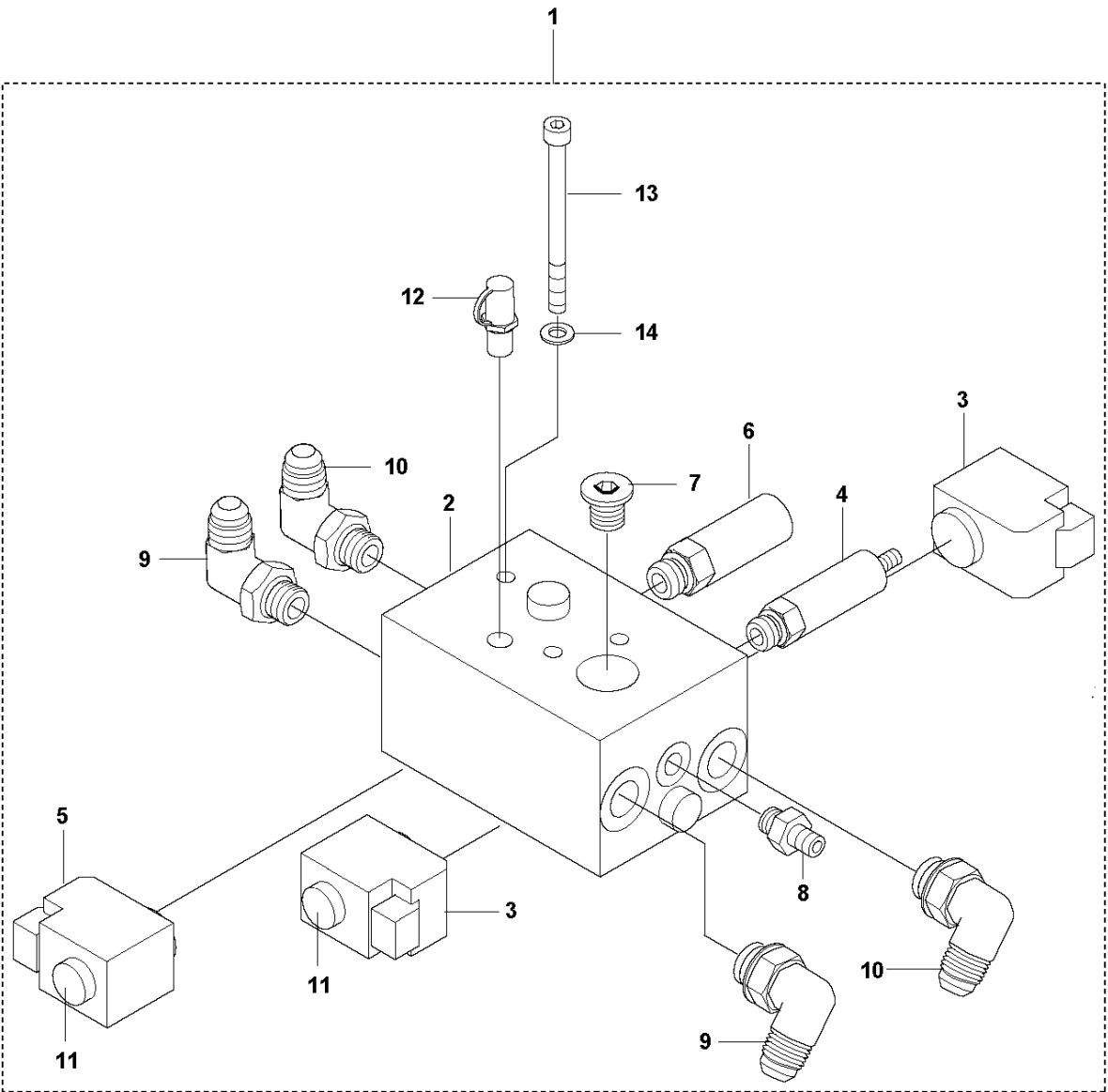


HYDRAULIC SYSTEM
967897206, 2022-01

LH 700, 967897201, 967897202, 967897203, 967897204, 967897205,

Ref	Part No	Description	Remark	QTY	KIT
1	594 44 08-01	HYDRAULIC MOTOR		1	
2	594 44 07-01	HYDRAULIC PUMP		1	
3	594 35 30-01	OIL FILTER	For mineral oil	1	
5	594 44 52-01	FILTER	Filter element for mineral oil	1	3
6	594 49 05-01	OIL FILTER	For bio oil	1	
8	594 44 53-01	FILTER	Filter element for bio oil	1	6
9	595 05 10-01	FILTER		1	
10	594 59 42-01	SLEEVE	Splined sleeve	1	
11	594 49 81-01	LEVEL	Oil checking glass	1	
12	598 18 48-01	SCREW		3	
13	595 03 45-01	SCREW		4	
14	594 83 25-01	SCREW		4	
15	595 03 66-01	WASHER		12	
16	595 04 86-01	ADAPTER		2	
17	594 43 93-01	HYDRAULIC HOSE		1	
18	595 45 58-01	ADAPTER		1	
19	595 45 26-01	ADAPTER		1	
20	595 36 12-01	HYDRAULIC HOSE		1	
21	594 44 23-01	HYDRAULIC HOSE		1	
22	595 05 34-01	HOSE		1	
23	594 44 45-01	HYDRAULIC HOSE		1	
24	594 49 55-01	HYDRAULIC HOSE		1	
25	595 17 25-01	HYDRAULIC HOSE		1	
26	595 05 07-01	ELBOW		1	
27	595 11 47-01	CLAMP		1	
28	595 18 75-01	ELBOW		2	
29	595 11 47-01	CLAMP		1	
30	595 34 83-01	SCREW		2	
31	595 04 66-01	O-RING		1	
32	595 18 59-01	CLAMP		2	
33	594 44 25-01	PROTECTION		1	
34	595 34 46-01	SCREW		1	
35	594 74 74-01	WASHER		1	
36	594 26 87-01	RING		1	
37	595 46 97-01	CLAMP		1	
38	594 44 24-01	CONNECTOR		1	
39	594 35 22-01	SLEEVE		1	

G LH 700
HYDRAULIC BLOCK

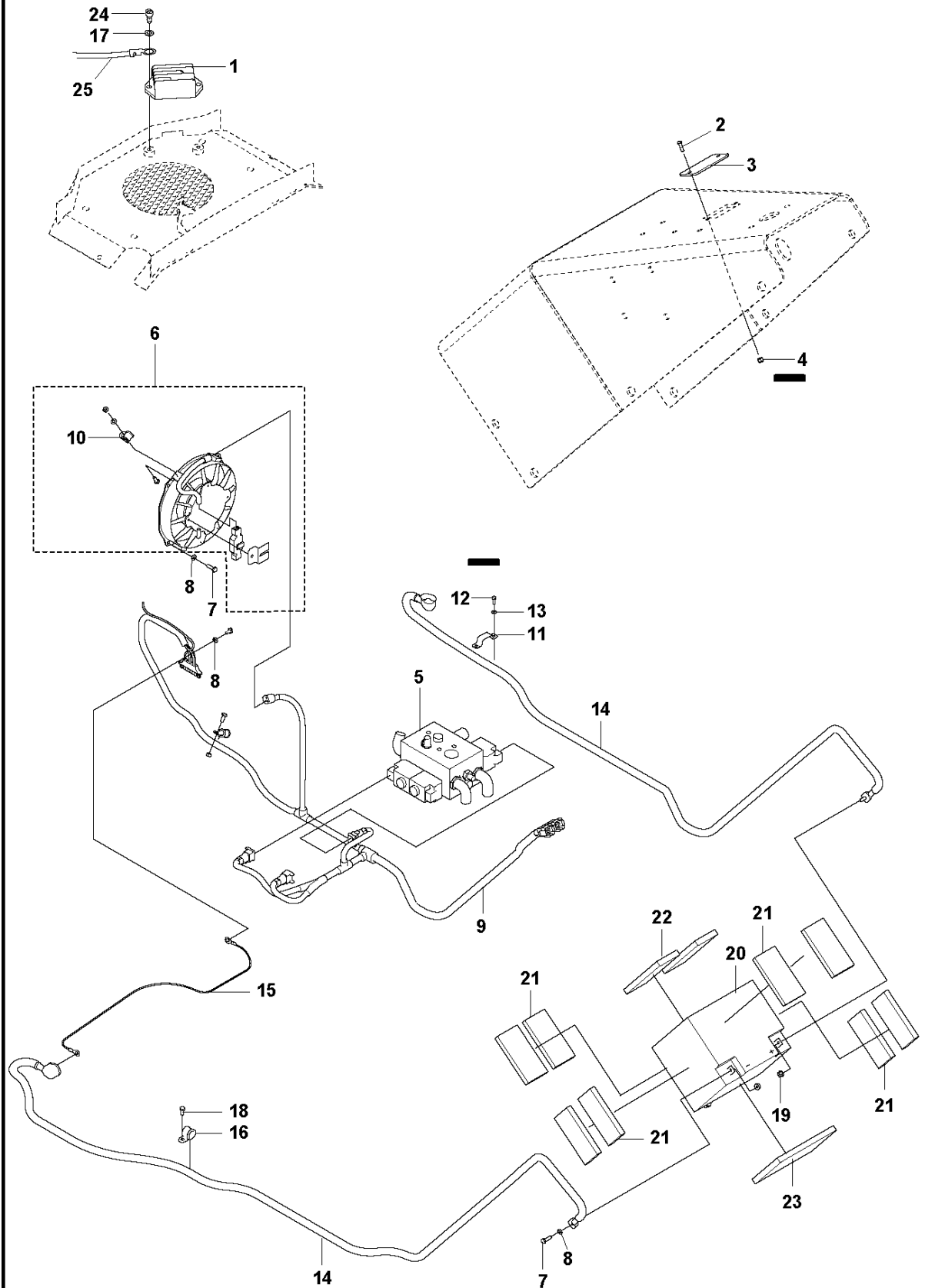


HYDRAULIC BLOCK
967897206, 2022-01

LH 700, 967897201, 967897202, 967897203, 967897204, 967897205,

Ref	Part No	Description	Remark	QTY	KIT
1	594 45 24-01	BLOCK		1	
2	595 47 09-01	MANIFOLD		1	1
3	594 57 86-01	VALVE		2	1
4	594 57 87-01	VALVE		1	1
5	594 57 88-01	VALVE		1	1
6	594 57 89-01	VALVE		1	1
7	595 47 10-01	PLUG		2	1
8	595 05 06-01	ADAPTER		1	1
9	595 16 09-01	ADAPTER		2	1
10	595 15 89-01	ADAPTER		2	1
11	594 57 90-01	MAGNET		3	1
12	595 19 17-01	CHECK VALVE		1	1
13	598 18 48-01	SCREW	Screw	3	1
14	595 03 66-01	WASHER	Washer	3	1

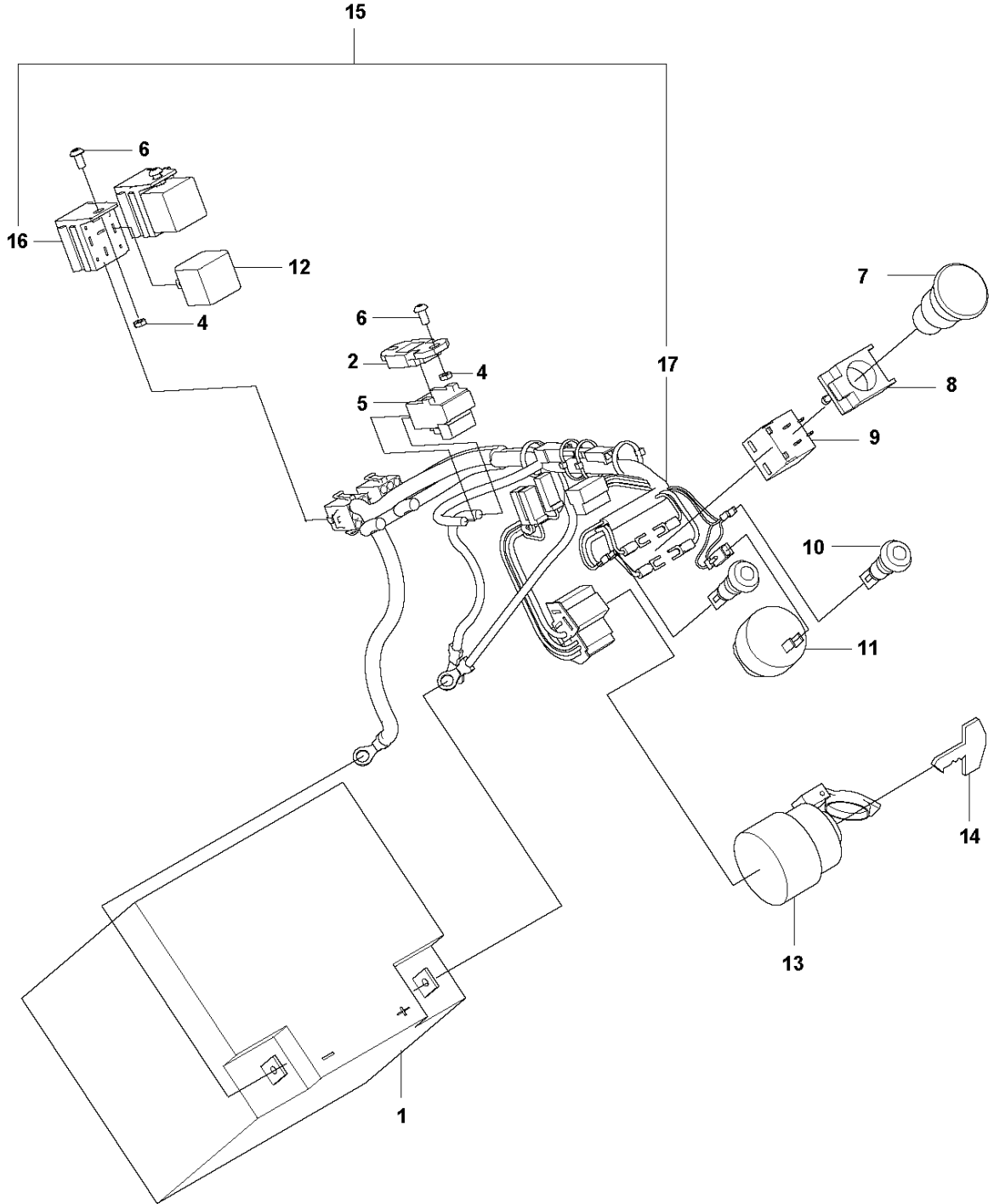
H LH 700
ELECTRICAL- ELECTRICAL EQUIPMENT



ELECTRICAL LH 700, 967897201, 967897202, 967897203, 967897204, 967897205, 967897206,
2022-01

Ref	Part No	Description	Remark	QTY KIT
1	594 46 54-01	TENSIONER		1
2	594 53 78-01	SCREW		2
3	594 42 67-01	COVER		1
4	596 69 52-46	LOCK NUT		2
5	594 45 24-01	BLOCK		1
6	594 46 62-01	FAN		1
7	595 10 98-01	SCREW		5
8	595 03 65-01	PLANE WASHER		7
9	595 36 49-01	HARNESS		1
10	595 11 46-01	PIPE CLAMP		3
11	595 17 45-01	CLAMP		3
12	598 18 45-01	SCREW		6
13	594 12 38-01	PLANE WASHER		6
14	594 52 26-01	CABLE		2
15	594 52 27-01	CABLE		1
16	594 12 56-01	PIPE CLAMP		2
17	595 03 66-01	WASHER		2
18	595 05 63-01	SCREW		2
19	595 18 11-01	NUT		2
20	594 47 98-01	BATTERY		1
21	594 44 46-01	INSULATION		8
22	594 44 27-01	INSULATION		2
23	595 05 19-01	ABSORBER		1
24	595 03 44-01	SCREW		2
25	594 45 36-01	CABLE		1

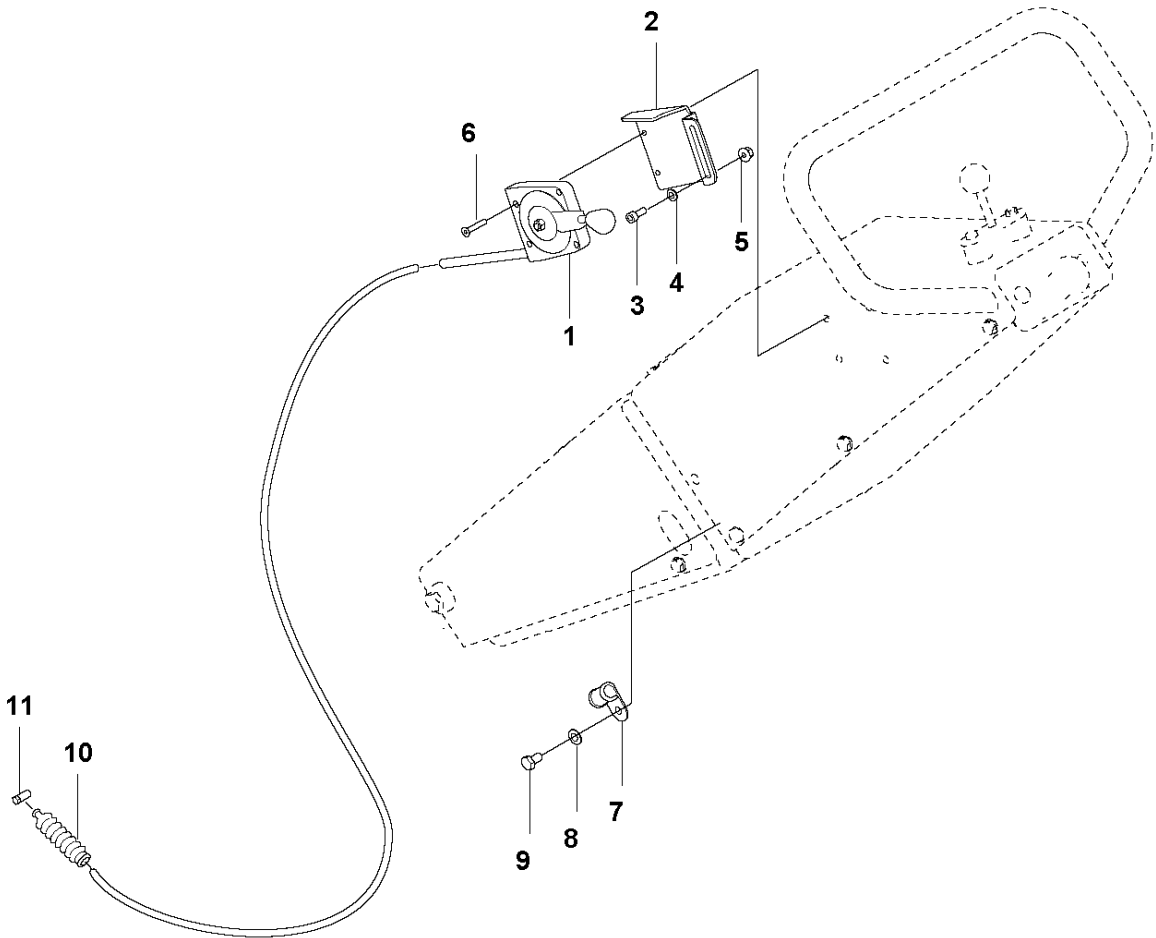
LH 700
ELECTRICAL - ELECTRICAL EQUIPMENT - HANDLE



ELECTRICAL LH 700, 967897201, 967897202, 967897203, 967897204, 967897205, 967897206,
2022-01

Ref	Part No	Description	Remark	QTY	KIT
1	594 47 98-01	BATTERY		1	
2	595 18 67-01	HOLDER		1	
4	594 50 13-01	NUT		4	
5	594 51 34-01	FUSE HOLDER		1	
6	595 06 56-01	SCREW		4	
7	594 15 98-01	SWITCH		1	
8	594 15 99-01	BRACKET		1	
9	594 16 00-01	BLOCK		1	
10	594 51 37-01	DIODE		2	
11	594 46 34-01	BUZZER		1	
12	594 33 42-01	RELAY		2	
13	531 04 38-01	IGNITION SWITCH		1	
14	595 07 01-01	KEY		1	
15	595 12 65-01	HARNES		1	
16	595 16 12-01	HOLDER		2	15
17	595 36 49-01	HARNES		1	15

J LH 700
THROTTLE CONTROL - HATZ - NON EPA

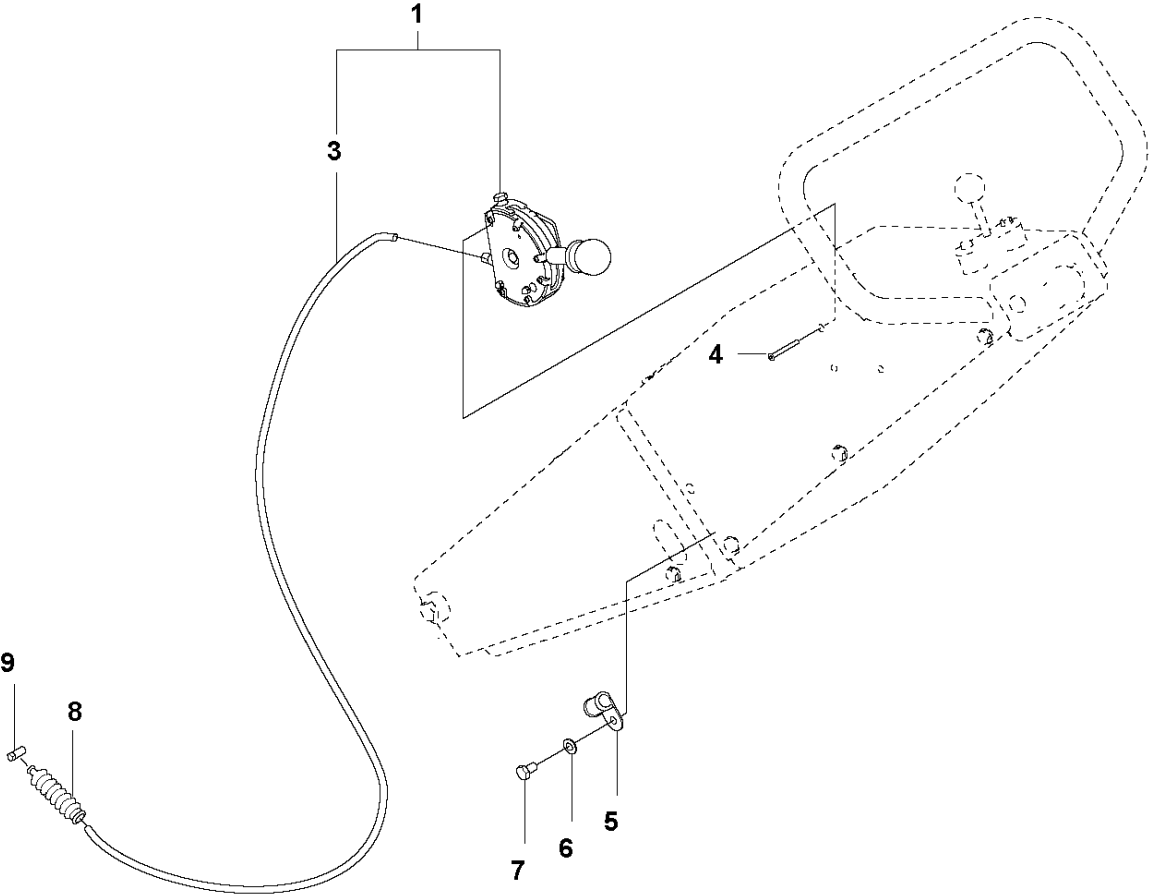


THROTTLE CONTROL - HATZ
967897205, 967897206, 2022-01

LH 700, 967897201, 967897202, 967897203, 967897204,

Ref	Part No	Description	Remark	QTY KIT
1	594 44 26-01	THROTTLE CONTROL		1
2	594 64 51-01	BRACKET		1
3	595 03 42-01	SCREW		1
4	595 03 65-01	PLANE WASHER		2
5	595 11 26-01	NUT		1
6	594 74 71-01	SCREW		4
7	594 12 53-01	PIPE CLAMP		1
8	595 03 66-01	WASHER		1
9	595 98 94-01	SCREW		1
10	594 44 34-01	BELLOWS		1
11	594 33 12-01	NIPPLE		1

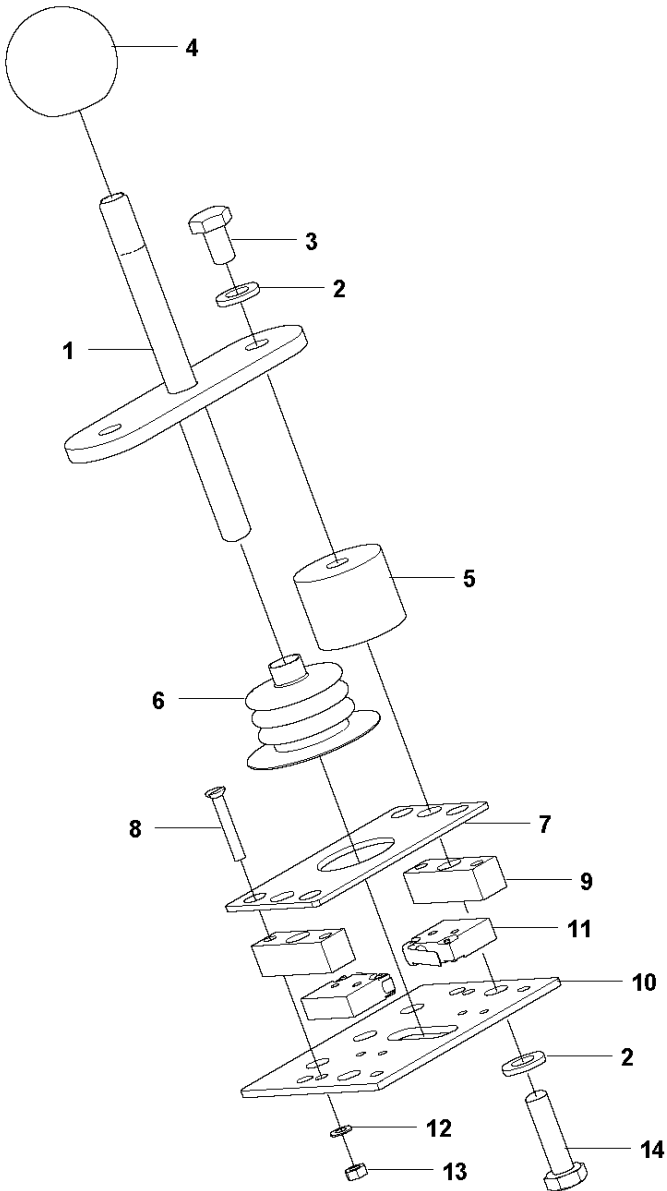
K LH 700
THROTTLE CONTROL - HATZ - EPA



THROTTLE CONTROL - HATZ - EPA LH 700, 967897201, 967897202, 967897203, 967897204,
 967897205, 967897206, 2022-01

Ref	Part No	Description	Remark	QTY	KIT
1	594 17 61-01	THROTTLE CONTROL		1	
3	594 21 04-01	THROTTLE CABLE		1	1
4	594 74 71-01	SCREW		4	
5	594 12 53-01	PIPE CLAMP		1	
6	595 03 66-01	WASHER		1	
7	595 03 65-01	PLANE WASHER		1	
8	594 44 34-01	BELLOWS		1	
9	594 33 12-01	NIPPLE		1	

L LH 700
JOYSTICK



JOYSTICK LH 700, 967897201, 967897202, 967897203, 967897204, 967897205, 967897206, 2022-01

Ref	Part No	Description	Remark	QTY KIT
1	594 44 93-01	LEVER		1
2	595 03 65-01	PLANE WASHER		2
3	595 05 56-01	SCREW		2
4	595 05 04-01	KNOB		1
5	594 44 95-01	ABSORBER		2
6	594 44 94-01	BELLOWS		1
7	594 44 92-01	BRACKET		1
8	595 98 81-01	SCREW		4
9	594 44 90-01	SPACER		2
10	594 44 91-01	BRACKET		1
11	594 45 74-01	SWITCH		1
12	595 89 03-01	WASHER		4
13	594 50 11-01	NUT		4
14	595 98 81-01	SCREW		2

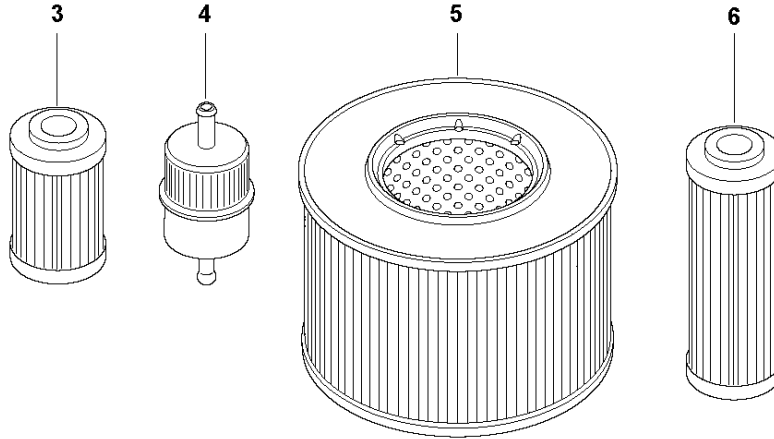
HANDLE LH 700, 967897201, 967897202, 967897203, 967897204, 967897205, 967897206, 2022-01

Ref	Part No	Description	Remark	QTY KIT
1	594 15 81-01	HANDLE		1
2	594 15 82-01	HANDLE		1
3	594 35 43-01	COVER		1
4	594 33 39-01	ABSORBER		2
5	594 15 91-01	ABSORBER		4
6	594 42 92-01	SHAFT		1
7	595 34 52-01	BOLT		1
8	595 11 28-01	WASHER		1
9	594 35 45-01	LEVER		1
10	594 35 46-01	BRACKET		1
11	595 06 68-01	WASHER		4
12	595 03 66-01	WASHER		20
13	595 34 46-01	SCREW		8
14	595 19 34-01	SCREW		4
15	595 03 66-01	WASHER		10
16	595 11 01-01	SCREW		10
17	595 02 94-01	NUT		8
18	594 35 47-01	COVER		1
19	595 45 39-01	TRIM		2
20	595 06 48-01	TRIM		1
21	594 15 83-01	BRACKET		1
22	594 46 55-01	BRACKET		1
23	594 11 85-01	BOLT		4
24	594 53 68-01	ABSORBER		1
25	595 46 88-01	WASHER		1
26	594 54 86-01	NUT		2
27	595 05 62-01	SCREW		1
28	594 81 07-01	RETAINER		1
29	595 03 32-01	SCREW		2
31	595 18 89-01	NIPPLE		1
32	595 03 65-01	PLANE WASHER		2

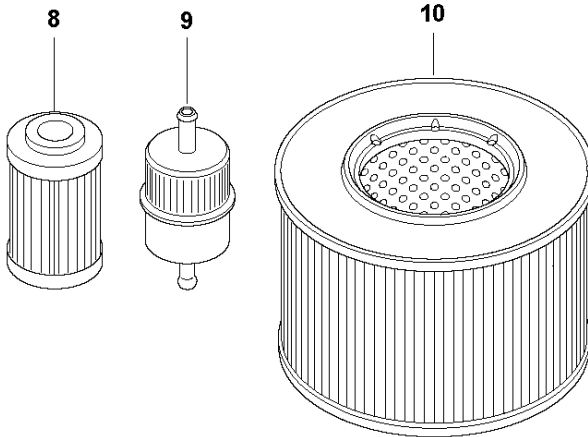
N LH 700
START UP KIT - HATZ

START UP KIT

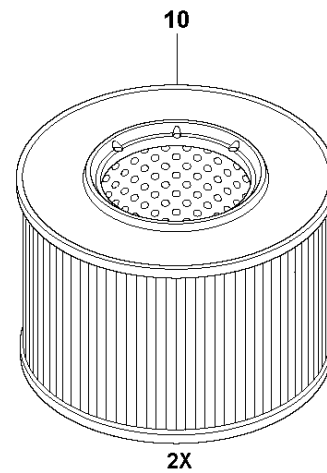
12 MONTHS / 500 HOURS SERVICE KIT - HYDRAULIC MINERAL OIL ONLY



6 MONTHS / 250 HOURS SERVICE KIT



AIR FILTER KIT



START UP KIT - HATZ
967897206, 2022-01

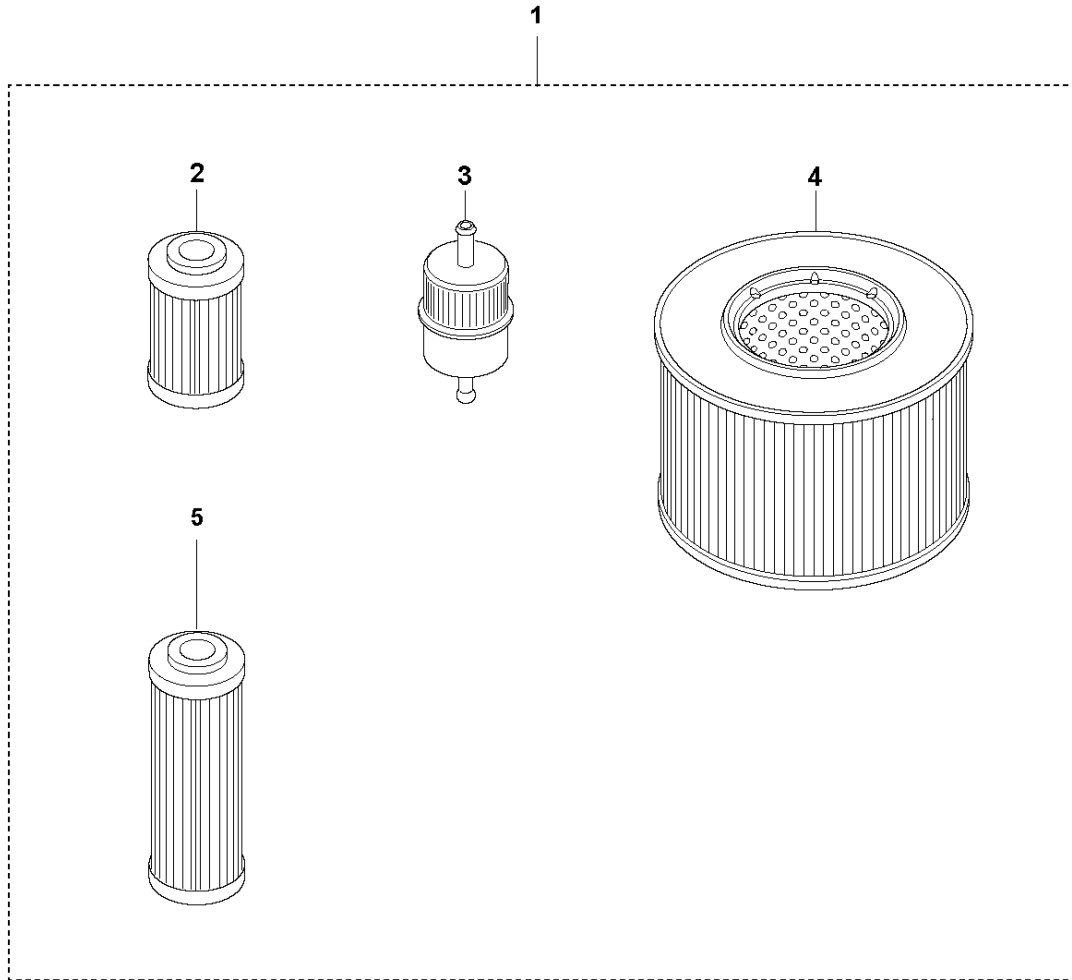
LH 700, 967897201, 967897202, 967897203, 967897204, 967897205,

Ref	Part No	Description	Remark	QTY KIT	
1	594 76 18-01	SERVICE KIT	Start-up kit for hydraulic mineral oil only	1	
2	594 21 76-01	SERVICE KIT	Service kit 500 hours/12 months, hydraulic mineral oil only	1	1
3	594 30 24-01	OIL FILTER	Engine oil filter	1	1, 2
4	594 57 99-01	FUEL FILTER	Fuel filter	1	1, 2
5	594 30 54-01	AIR FILTER	Air filter element	1	1, 2
6	594 44 52-01	FILTER	Hydraulic oil filter, for machines 967897301, 967897303, 967897304	1	1, 2
7	594 21 50-01	SERVICE KIT	6 months / 250 hours service kit	1	1
8	594 30 24-01	OIL FILTER	Engine oil filter	1	1, 7
9	594 57 99-01	FUEL FILTER	Fuel filter	1	1, 7
10	594 30 54-01	AIR FILTER	Air filter element	1	1, 7, 11
11	595 38 43-01	AIR FILTER	Air Filter kit with 2 air filter elements	1	1



LH 700

12 MONTHS / 500 HOURS SERVICE KIT - HATZ - BIO HYDRAULIC OIL ONLY

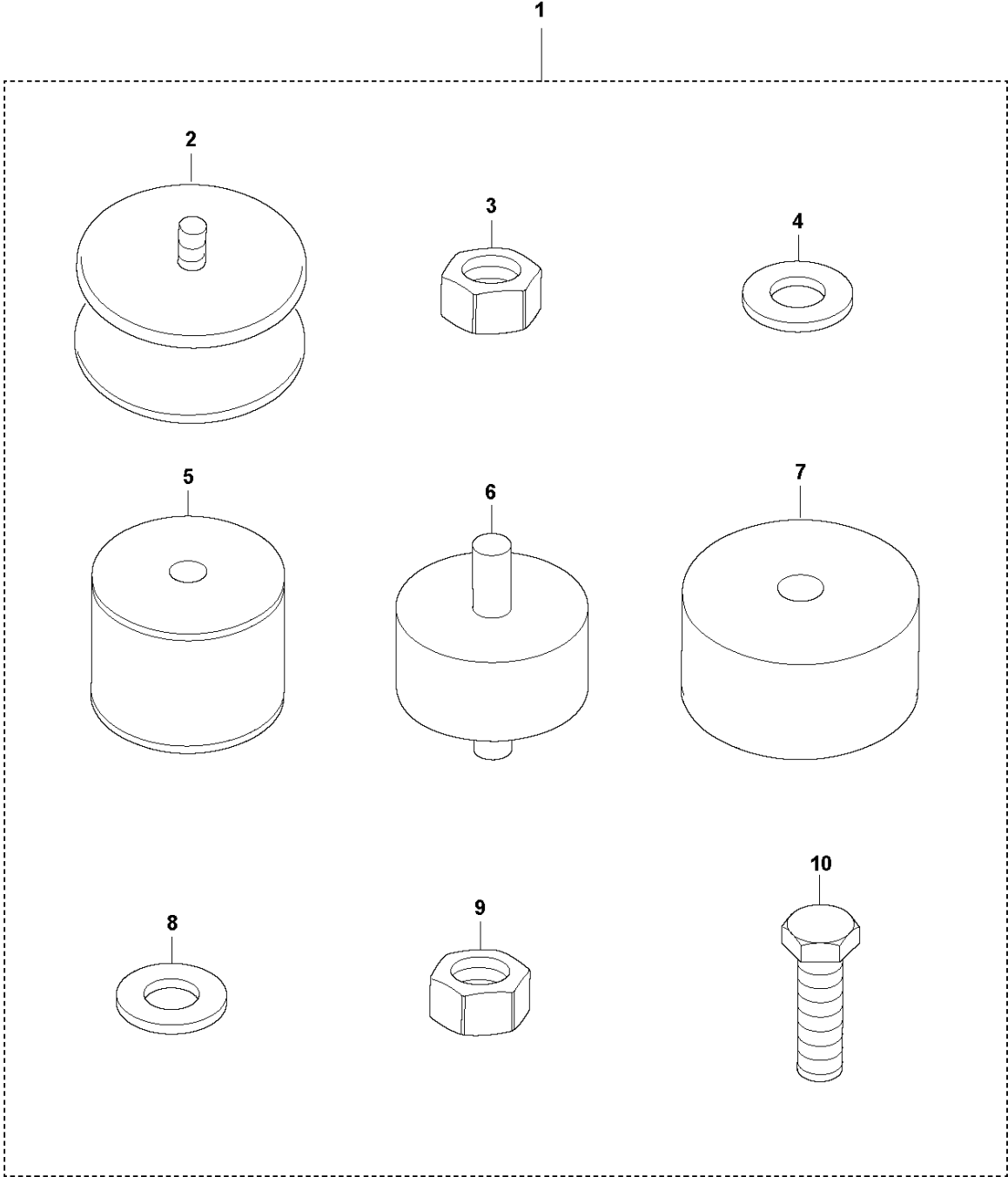


12 MONTHS / 500 HOURS SERVICE KIT - HATZ
967897204, 967897205, 967897206, 2022-01

LH 700, 967897201, 967897202, 967897203,

Ref	Part No	Description	Remark	QTY KIT	
1	595 38 41-01	SERVICE KIT	hydraulic bio oil only (for machine 967897302)	1	
2	594 30 24-01	OIL FILTER		1	1
3	594 57 99-01	FUEL FILTER		1	1
4	594 30 54-01	AIR FILTER		1	1
5	594 44 53-01	FILTER	hydraulic bio oil only (for machine 967897302)	1	1

R LH 700
SHOCK ABSORBER REPAIR KIT

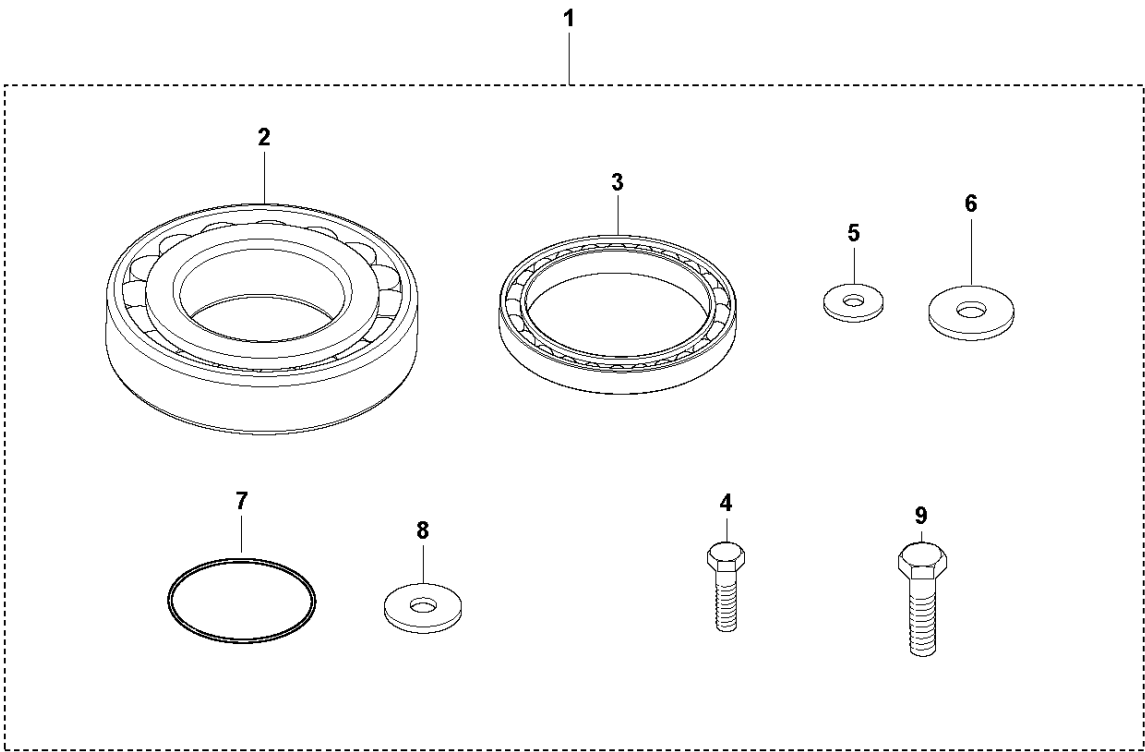


SHOCK ABSORBER REPAIR KIT
967897205, 967897206, 2022-01

LH 700, 967897201, 967897202, 967897203, 967897204,

Ref	Part No	Description	Remark	QTY KIT	
1	594 86 93-01	REPAIR KIT		1	
2	594 33 62-01	ABSORBER		4	1
3	595 03 58-01	NUT	M10	4	1
4	595 03 67-01	WASHER		4	1
5	594 15 91-01	ABSORBER		4	1
6	594 33 39-01	ABSORBER		2	1
7	594 53 68-01	ABSORBER		1	1
8	594 74 74-01	WASHER		12	1
9	595 02 94-01	NUT		4	1
10	595 34 46-01	SCREW		8	1

S LH 700
ECCENTRIC ELEMENT REPAIR KIT

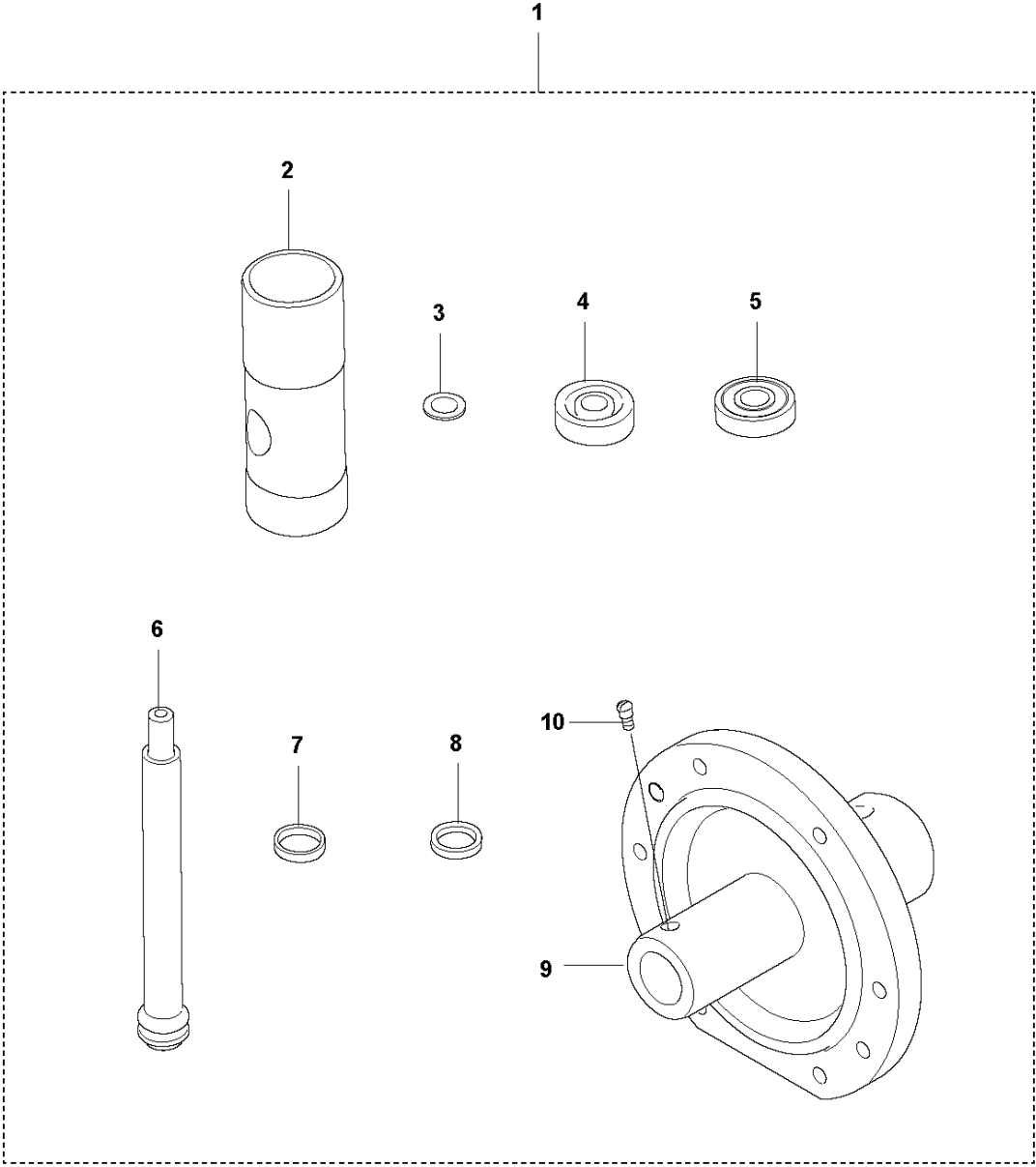


ECCENTRIC ELEMENT REPAIR KIT
 967897205, 967897206, 2022-01

LH 700, 967897201, 967897202, 967897203, 967897204,

Ref	Part No	Description	Remark	QTY KIT	
1	595 37 96-01	REPAIR KIT		1	
2	594 52 80-01	ROLLER BEARING		4	1
3	594 52 81-01	BALL BEARING		2	1
4	595 10 98-01	SCREW		20	1
5	595 03 65-01	PLANE WASHER	6.4 x 12 x 1.5 mm, 0.25 x 0.47 x 0.06 in. 300 HV	20	1
6	595 04 78-01	GASKET	6.7 x 24 x 1.5 mm, 0.66 x 0.94 x 0.06 in. TYPE A,M16	1	1
7	594 53 71-01	O-RING		1	1
8	595 03 66-01	WASHER	8.4 x 16 x 1.5 mm, 0.33 x 0.63 x 0.06 in. 300 HV	4	1
9	595 03 45-01	SCREW		4	1

T LH 700
FORWARD & REVERSE PISTON REPAIR KIT

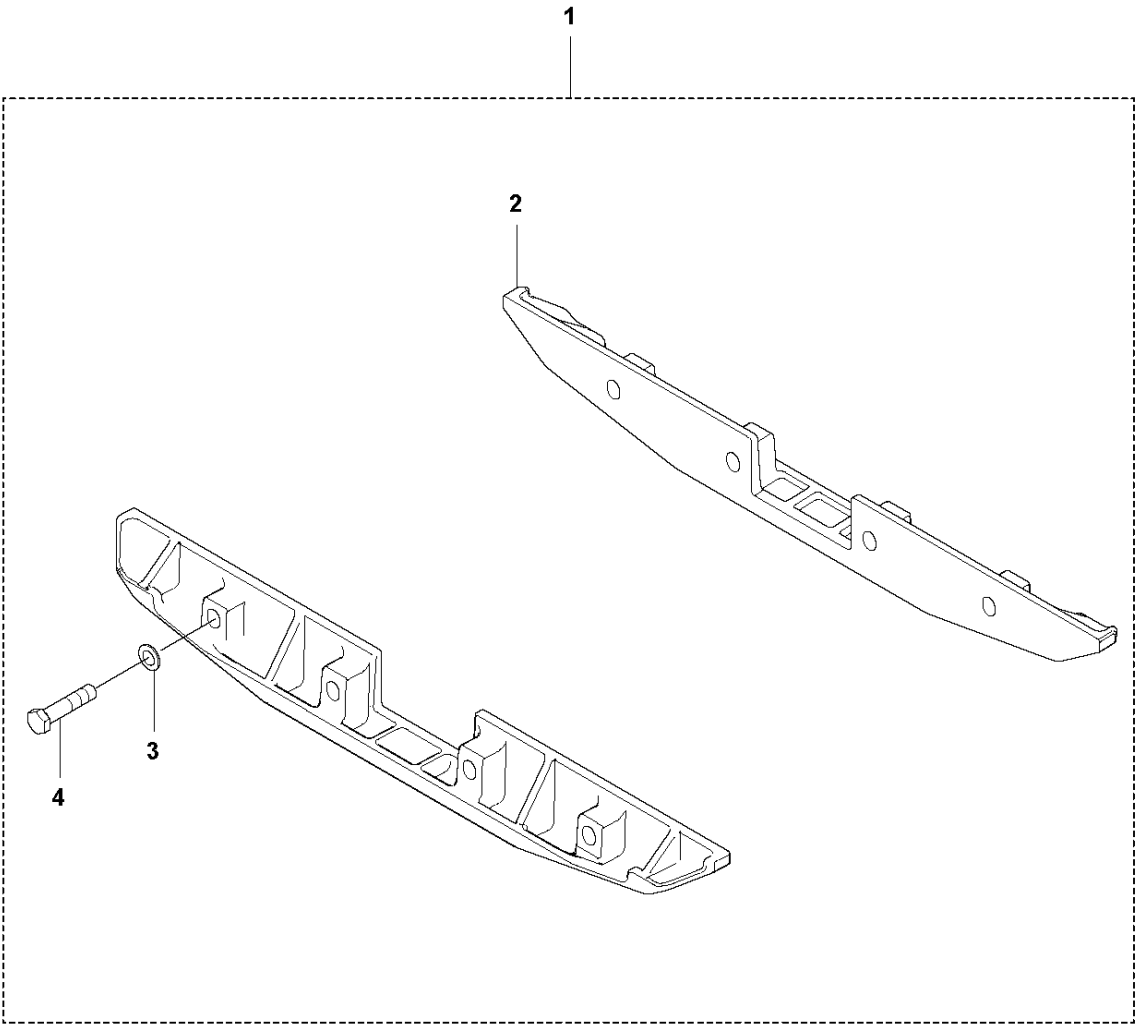


FORWARD & REVERSE PISTON REPAIR KIT
 967897204, 967897205, 967897206, 2022-01

LH 700, 967897201, 967897202, 967897203,

Ref	Part No	Description	Remark	QTY KIT	
1	594 65 69-01	REPAIR KIT		1	
2	594 44 61-01	PISTON		1	1
3	594 53 67-01	SUPPORT RING		1	1
4	594 54 77-01	BALL BEARING		1	1
5	595 04 49-01	BEARING		1	1
6	594 44 57-01	PISTON ROD		1	1
7	594 33 48-01	RING		1	1
8	594 33 47-01	PISTON		1	1
9	594 35 17-01	CYLINDER		1	1
10	594 43 81-01	STOP SCREW		1	1

U LH 700
EXTENSION PLATE KIT - 2x75 mm (2x2.95")



EXTENSION PLATE KIT 2 X 75 MM
967897205, 967897206, 2022-01

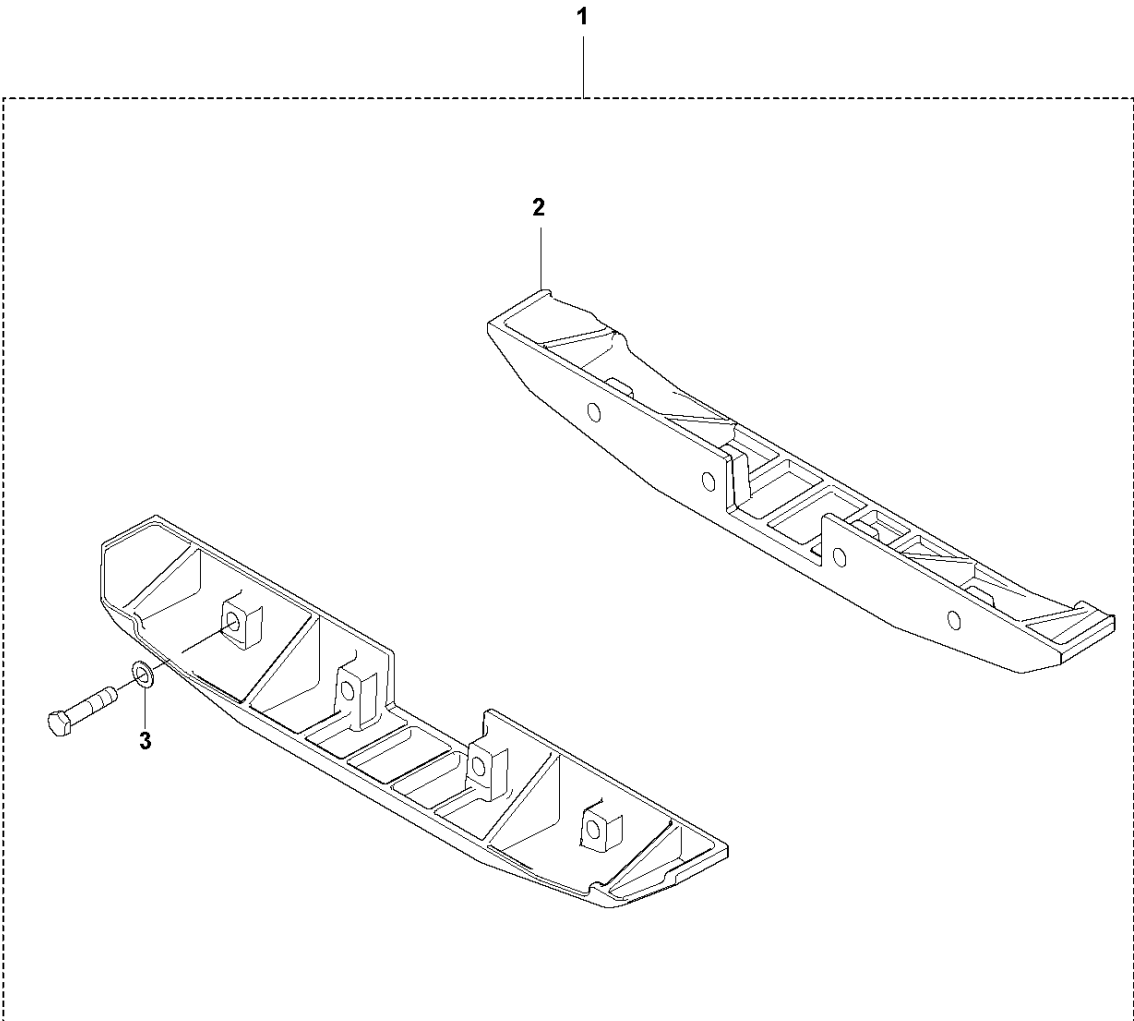
LH 700, 967897201, 967897202, 967897203, 967897204,

Ref	Part No	Description	Remark	QTY KIT	
1	594 82 60-01	PLATE		1	
2	594 75 16-01	EXTENSION		2	1
3	595 06 70-01	WASHER		8	1
4	595 06 94-01	SCREW		8	1

EXTENSION PLATE KIT 2 X 150 MM
967897205, 967897206, 2022-01

LH 700, 967897201, 967897202, 967897203, 967897204,

V LH 700
EXTENSION PLATE KIT - 2x150 mm (2x5.90")

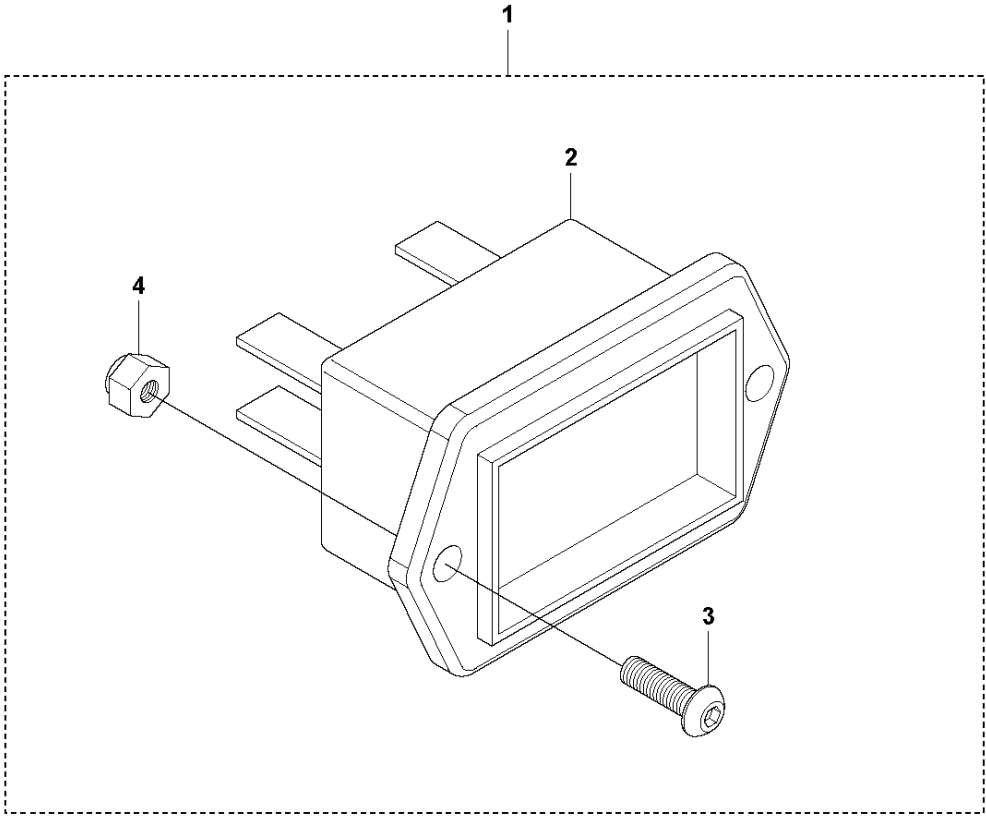


EXTENSION PLATE KIT 2 X 150 MM
967897205, 967897206, 2022-01

LH 700, 967897201, 967897202, 967897203, 967897204,

Ref	Part No	Description	Remark	QTY	KIT
1	594 82 61-01	PLATE		1	
2	595 17 34-01	PLATE		2	1
3	595 06 70-01	WASHER		8	1

W LH 700
HOUR METER KIT

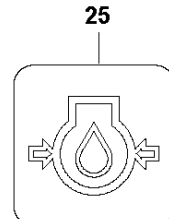
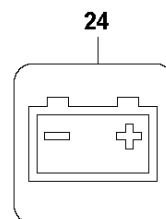
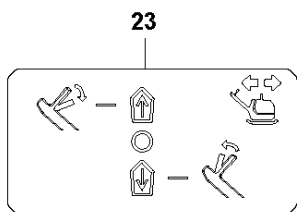
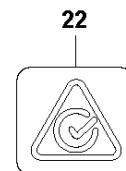
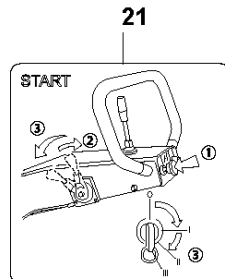
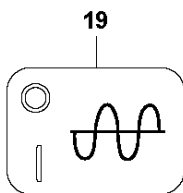
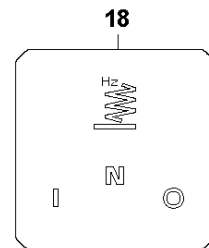
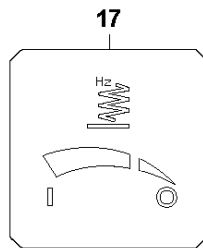
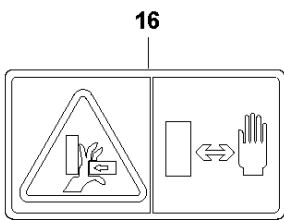
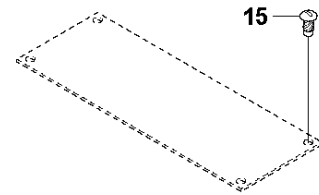
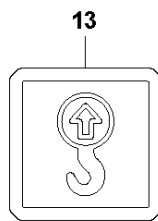
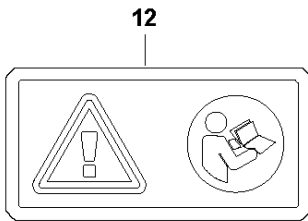
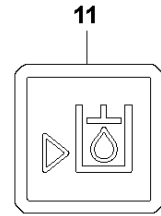
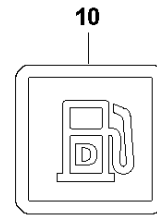
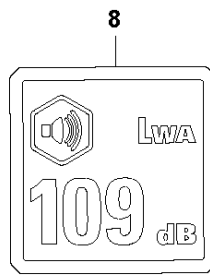
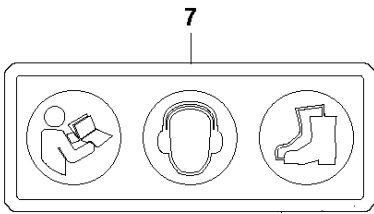
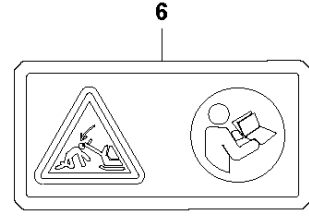
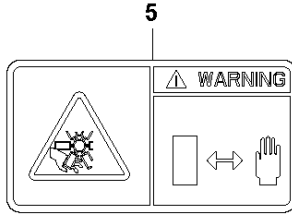
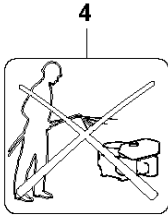
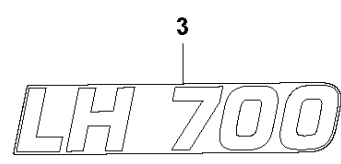
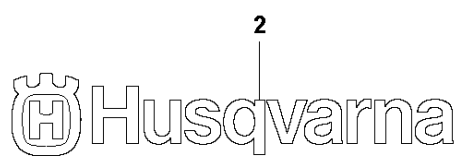
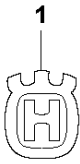


HOUR METER KIT
967897206, 2022-01

LH 700, 967897201, 967897202, 967897203, 967897204, 967897205,

Ref	Part No	Description	Remark	QTY	KIT
3	594 53 78-01	SCREW		2	1
2	594 82 71-01	HOUR METER		1	1
1	594 82 71-01	HOUR METER		1	
4	596 69 52-46	LOCK NUT		2	1

X LH 700
DECALS - HATZ



DECALS - HATZ LH 700, 967897201, 967897202, 967897203, 967897204, 967897205, 967897206, 2022-01

Ref	Part No	Description	Remark	QTY KIT
1	595 37 65-01	DECAL		1
2	595 37 54-01	DECAL		1
3	595 37 67-01	DECAL		1
4	594 82 85-01	DECAL		2
5	595 06 53-01	DECAL		1
6	594 66 06-01	LABEL		1
7	594 65 96-01	LABEL		1
8	595 51 32-01	LABEL		1
10	594 66 16-01	LABEL		1
11	595 51 28-01	LABEL		1
12	594 86 97-01	LABEL		1
13	594 66 09-01	LABEL		1
15	595 18 02-01	SCREW		8
16	594 53 64-01	DECAL		1
17	594 66 05-01	LABEL		1
18	594 66 10-01	LABEL		1
19	595 14 24-01	DECAL		1
21	594 47 53-01	DECAL		1
22	596 28 02-01	DECAL		1
23	594 66 07-01	LABEL		1
24	594 52 05-01	DECAL		1
25	594 52 06-01	DECAL		1