

532 44 66-12 Rev. 1



Repair Parts Manual IPL Manual

LGT2654/96045003800

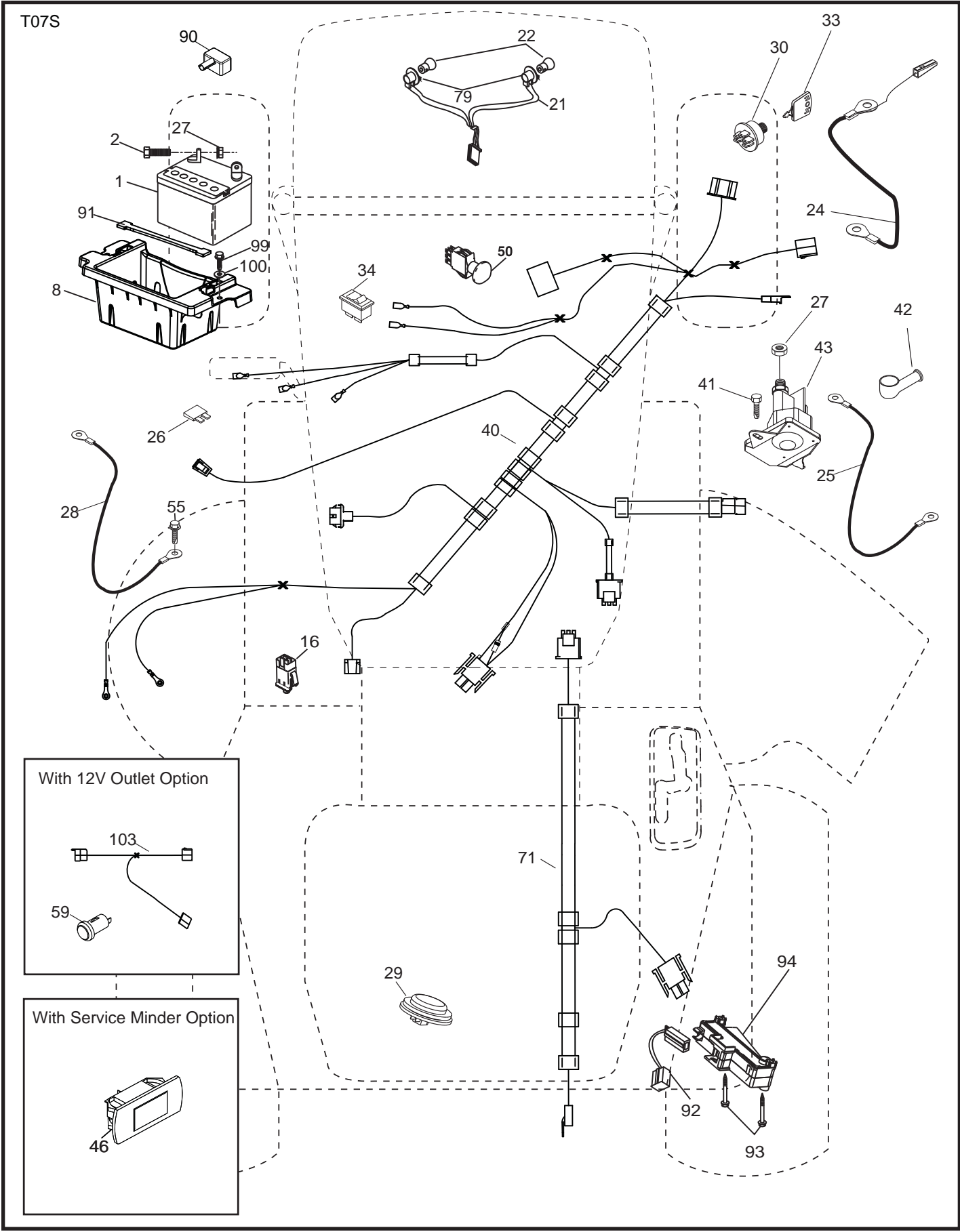
Please read the operator's manual carefully and make sure you understand the instructions before using the machine.

Por favor lea cuidadosamente y comprenda estas instrucciones antes de usar esta maquina.



English

**TRACTOR - MODEL NO. LGT2654 (96045003800), PRODUCT NO. 960 45 00-38
ELECTRICAL**

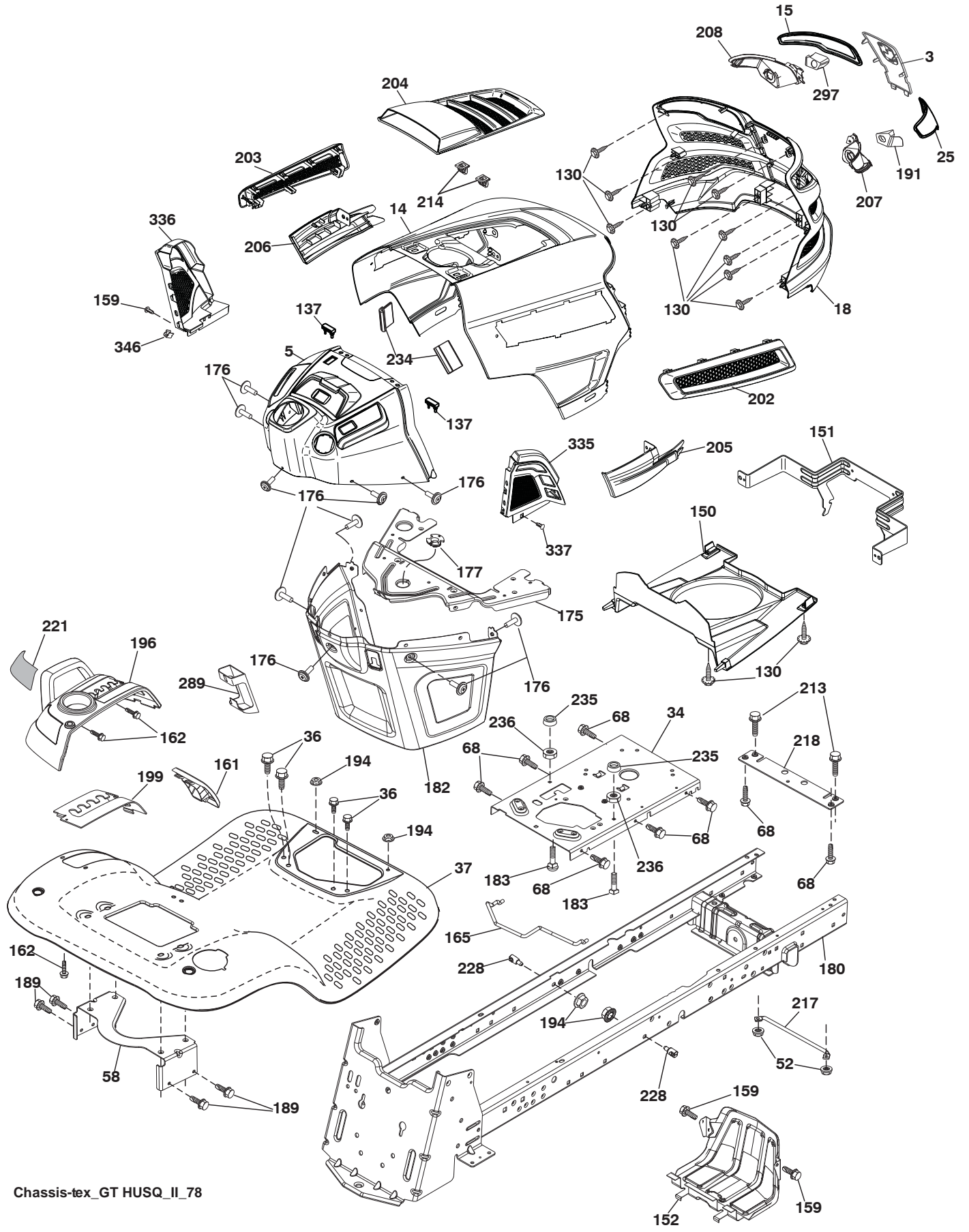


**TRACTOR - MODEL NO. LGT2654 (96045003800), PRODUCT NO. 960 45 00-38
ELECTRICAL**

| KEY NO. | PART NO. | DESCRIPTION |
|----------------|-----------------|----------------------------------|
| 1 | 532 16 34-65 | Battery |
| 2 | 874 76 04-12 | Bolt Hex Hd 1/4-20 unc x 3/4 |
| 8 | 532 41 41-26 | Battery Tray |
| 16 | 532 17 61-38 | Switch Interlock |
| 21 | 532 40 02-52 | Harness Light W/4152J |
| 22 | 532 00 41-52 | Bulb, Light #1156 |
| 24 | 532 40 02-53 | Cable Battery |
| 25 | 532 41 28-95 | Cable Starter |
| 26 | 532 17 51-58 | Fuse |
| 27 | 873 51 04-00 | Nut Keps Hex 1/4-20 unc |
| 28 | 532 14 54-91 | Cable Ground |
| 29 | 532 40 15-45 | Switch Seat |
| 30 | 532 19 33-50 | Switch Ign |
| 33 | 532 41 19-33 | Key/Chain |
| 34 | 532 11 07-12 | Switch Light/Reset |
| 40 | 532 40 11-04 | Harness Ign. Dash/Lift |
| 41 | 817 72 04-08 | Screw Thd Cut 1/4-20 x 1/2 |
| 42 | 532 13 15-63 | Cover Terminal Red |
| 43 | 532 19 25-07 | Solenoid |
| 46 | 532 40 17-63 | Gauge Hourmeter |
| 50 | 532 19 61-12 | Switch PTO |
| 55 | 817 06 05-12 | Screw Thdrol 5/16-18 x 3/4 |
| 59 | 532 40 03-03 | Outlet 12-Volt |
| 71 | 532 19 42-76 | Harness Ign Chassis/Lift |
| 79 | 532 17 52-42 | Socket Asm Bulb |
| 90 | 532 43 53-95 | Cover Terminal Battery |
| 91 | 532 19 02-70 | Strap Battery |
| 92 | 532 19 66-15 | Harness Pigtail Reverse Switch |
| 93 | 532 19 25-40 | Screw Plastite 10-14 X 2.00 |
| 94 | 532 19 18-34 | Module Reverse ROS |
| 99 | 817 67 04-12 | Screw Hexwsh Thdrol 1/4-20 x 3/4 |
| 100 | 819 09 14-16 | Washer 9/32 x 7/8 x 16 Ga. |
| 103 | 532 40 79-62 | Harness Pigtail 12 V Outlet |

NOTE: All component dimensions given in U.S. inches
1 inch = 25.4 mm

TRACTOR - MODEL NO. LGT2654 (96045003800), PRODUCT NO. 960 45 00-38
CHASSIS



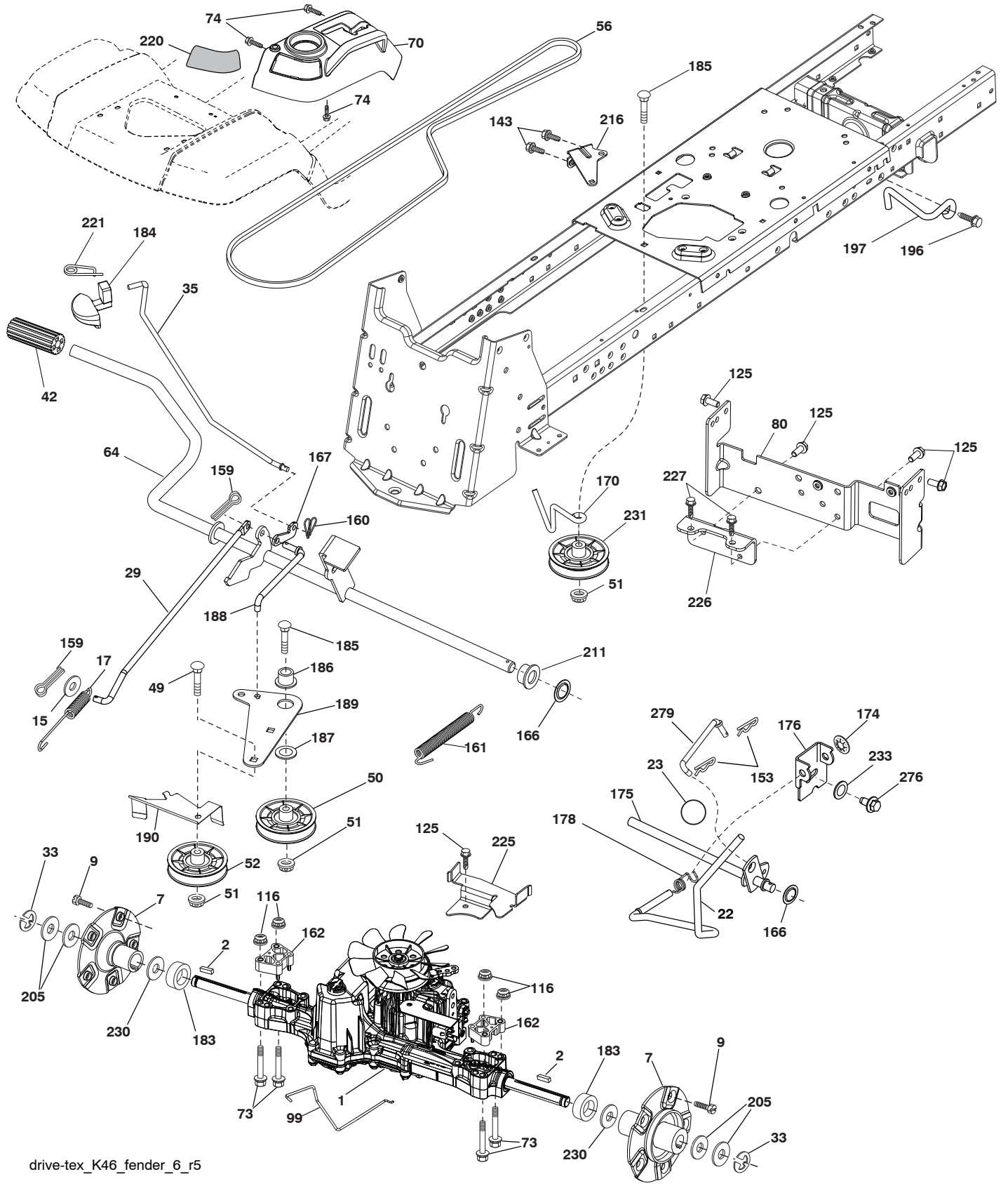
Chassis-tex_GT HUSQ_II_78

**TRACTOR - MODEL NO. LGT2654 (96045003800), PRODUCT NO. 960 45 00-38
CHASSIS**

| KEY PART NO. | PART NO. | DESCRIPTION | KEY PART NO. | PART NO. | DESCRIPTION |
|---------------------|-----------------|-------------------------------|---------------------|-----------------|-------------------------------|
| 3 | 532 43 97-52 | Applique | 194 | 873 90 05-00 | Nut Lock Hex Flange 5/16-18 |
| 5 | 532 43 74-72 | Dash | 196 | 532 43 97-16 | Console Asm. Deck Lift |
| 14 | 532 44 11-77 | Hood Asm. | 199 | 532 19 82-59 | Plate Deck Lift |
| 15 | 532 43 97-33 | Lens LH | 202 | 532 43 97-28 | Vent Side Hood RH |
| 18 | 532 43 77-62 | Grille Asm. | 203 | 532 43 97-27 | Vent Side Hood LH |
| 25 | 532 44 33-85 | Lens RH | 204 | 532 43 57-14 | Vent Asm Hood Top |
| 34 | 532 19 61-25 | Plate Engine | 205 | 532 43 97-30 | Skirt Hood Side RH |
| 36 | 817 06 05-12 | Screw 5/16-18 x 3/4 | 206 | 532 43 97-29 | Skirt Hood Side LH |
| 37 | 532 44 12-08 | Fender | 207 | 532 43 97-34 | Bezel RH |
| 52 | 873 68 05-00 | Nut Crown Lock 5/16-18 | 208 | 532 43 97-35 | Bezel LH |
| 58 | 532 19 43-14 | Bracket Fender | 213 | 874 76 05-12 | Bolt Hex Hd 5/16-18 unc x 3/4 |
| 68 | 817 49 05-08 | Screw 5/16-18 x 1/2 | 214 | 532 19 91-45 | Clip Retainer |
| 130 | 532 41 63-58 | Screw #10 x .750 BOS Thread | 217 | 532 40 91-67 | Rod Pivot |
| 137 | 532 40 75-90 | Bumper Dash | 218 | 532 19 63-95 | Hood Stop |
| 150 | 532 43 97-74 | Duct Heat Hood | 221 | 532 19 89-09 | Reflector LH |
| 151 | 532 43 66-70 | Bracket Pivot Hood | 228 | 532 19 51-61 | Stud Fastener |
| 152 | 532 43 98-70 | Shield Browning/Debris | 234 | 532 40 47-42 | Bumper Hood |
| 159 | 817 00 06-12 | Screw 3/8-16 x 3/4 | 235 | 532 40 61-29 | Spacer Fender |
| 161 | 532 43 99-29 | Console Fuel Window | 236 | 873 93 05-00 | Nut Center Lock 5/16-18 unc |
| 162 | 532 14 24-32 | Screw Hex Wsh Hi-Lo 1/4 x 1/2 | 289 | 532 40 35-71 | Plug Cruise/Phone |
| 165 | 532 19 68-26 | Bracket Support Tank | 297 | 532 43 74-56 | Insert LH |
| 175 | 532 19 63-04 | Crossmember | 335 | 532 43 98-47 | Cover Dash RH |
| 176 | 532 40 07-76 | Screw 10-24 x 5/8 | 336 | 532 44 53-09 | Cover Dash LH |
| 177 | 532 19 52-27 | Bushing Steering | 337 | 532 43 81-37 | Clip |
| 180 | 532 19 54-77 | Chassis | 346 | 532 12 64-71 | Clip Insulator |
| 182 | 532 40 68-59 | Dash Lower | - - | 532 40 09-44 | Kit Bumper |
| 183 | 874 52 05-20 | Bolt 5/16-18 x 1-1/4 | | | |
| 189 | 817 00 05-12 | Screw 5/16-18 x 3/4 | | | |
| 191 | 532 43 74-55 | Insert RH | | | |

NOTE: All component dimensions given in U.S. inches
1 inch = 25.4 mm

**TRACTOR - MODEL NO. LGT2654 (96045003800), PRODUCT NO. 960 45 00-38
DRIVE**



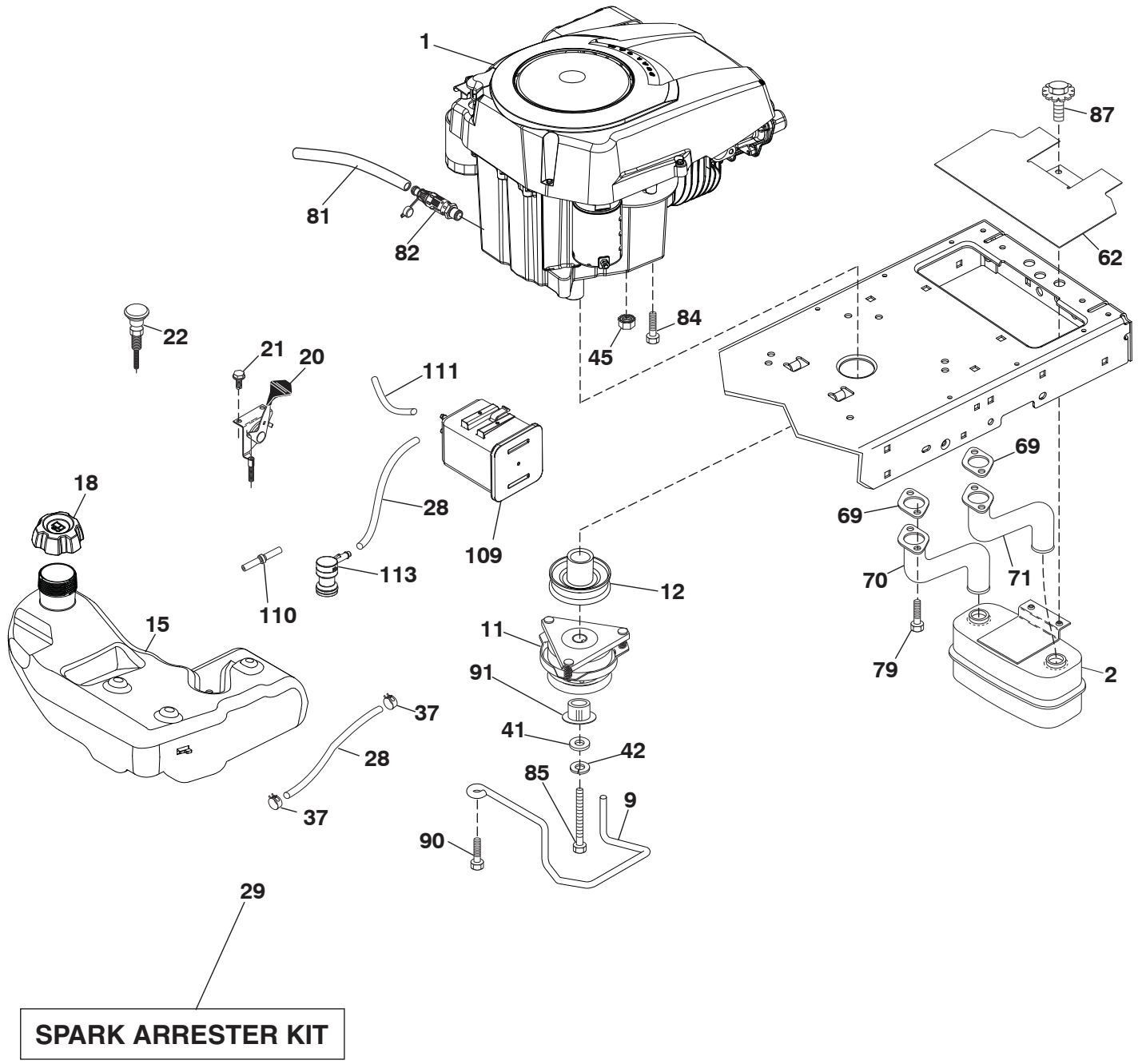
drive-tex_K46_fender_6_r5

TRACTOR - MODEL NO. LGT2654 (96045003800), PRODUCT NO. 960 45 00-38 DRIVE

| KEY NO. | PART NO. | DESCRIPTION | KEY NO. | PART NO. | DESCRIPTION |
|----------------|-----------------|---|----------------|-----------------|-------------------------------------|
| 1 | --- | Transaxle, TuffTorq K46 AW (406206) (Order parts from trans-axle manufacturer.) | 167 | 532 40 52-57 | Latch Brake Parking |
| 2 | 532 18 62-11 | Key | 170 | 532 41 34-30 | Keeper Belt Centerspan |
| 7 | 532 19 98-44 | Hub Asm. Wheel Rear 22" TXGT.06 | 174 | 532 19 72-89 | Nut Push |
| 9 | 532 14 00-80 | Bolt Hub Wheel Rear | 175 | 532 40 62-08 | Shaft Asm Shift |
| 15 | 819 13 13-16 | Washer 13/32 x 13/16 x 16 Ga. | 176 | 532 19 62-14 | Arm Clevis Rod Shift |
| 17 | 532 41 36-78 | Spring Brake | 178 | 532 19 74-56 | Spring Shift |
| 22 | 532 19 73-29 | Rod Shift | 183 | 532 40 04-24 | Spacer Split |
| 23 | 532 14 08-45 | Knob | 184 | 532 44 14-55 | Handle Parking Brake |
| 29 | 532 40 38-06 | Rod, Brake | 185 | 872 11 06-22 | Bolt rdhd sqnk 3/8-16 x 2-3/4 Gr. 5 |
| 33 | 812 00 00-01 | Ring E | 186 | 532 19 43-21 | Spacer Retainer |
| 35 | 532 43 54-86 | Rod Brake Park | 187 | 819 13 32-10 | Washer |
| 42 | 532 12 48-72 | Cover Foot Pedal | 188 | 532 19 43-23 | Link Clutch Ground Drive |
| 49 | 872 11 06-14 | Bolt | 189 | 532 19 43-17 | Bellcrank Ground Drive |
| 50 | 532 19 43-27 | Pulley Idler Flat | 190 | 532 19 43-18 | Keeper Bellcrank Ground Drive |
| 51 | 873 90 06-00 | Lock Nut 3/8-16 | 196 | 817 00 06-16 | Screw 3/8-16 x 1 |
| 52 | 532 19 43-26 | Idler V-Groove | 197 | 532 19 97-69 | Link Clutch Anti-Rotation |
| 56 | 532 13 09-69 | V-Belt Drive | 205 | 532 12 17-48 | Washer |
| 64 | 532 19 62-00 | Shaft Asm. Pedal Brake Control | 211 | 532 19 62-12 | Bushing Brake Shaft |
| 70 | 532 43 96-60 | Console Asm. | 216 | 532 19 61-31 | Bracket Pulley Idler |
| 73 | 874 49 05-60 | Bolt Hex Flghd 5/16-18 3.75 | 220 | 532 19 89-08 | Reflector RH |
| 74 | 532 14 24-32 | Screw 1/4 x 1/2 | 221 | 532 40 31-87 | Retainer Spring Clip Handle |
| 80 | 532 44 06-19 | Strap Torque | 225 | 532 40 33-19 | Keeper Belt Trans. |
| 99 | 532 41 57-43 | Rod Bypass | 226 | 532 40 08-31 | Bracket Mount Torque |
| 116 | 873 90 05-00 | Nut Lock Hex Flange 5/16-18 | 227 | 817 49 05-12 | Screw 5/16-18 x 3/4 |
| 125 | 817 00 05-12 | Screw 5/16-18 x 3/4 | 230 | 532 18 89-67 | Washer Hardened |
| 143 | 817 49 05-08 | Screw 5/16-18 x 1/2 | 231 | 532 40 72-87 | Idler V-Groove |
| 153 | 532 12 47-88 | Retainer Spring | 233 | 532 40 52-96 | Washer Serrated |
| 159 | 876 02 04-12 | Pin Cotter 1/8 x 3/4 | 276 | 874 78 07-16 | Bolt 7/16-14 x 1 Gr. 5 |
| 160 | 532 16 94-84 | Retainer Clip | 279 | 532 40 62-07 | Link Shift |
| 161 | 532 10 57-09 | Spring Return Clutch | | | |
| 162 | 532 19 57-85 | Spacer Transaxle 18 and 22 | | | |
| 166 | 532 42 91-64 | Nut Push | | | |

NOTE: All component dimensions given in U.S. inches
1 inch = 25.4 mm

**TRACTOR - MODEL NO. LGT2654 (96045003800), PRODUCT NO. 960 45 00-38
ENGINE**



engine-tex_Kohl_19

**TRACTOR - MODEL NO. LGT2654 (96045003800), PRODUCT NO. 960 45 00-38
ENGINE**

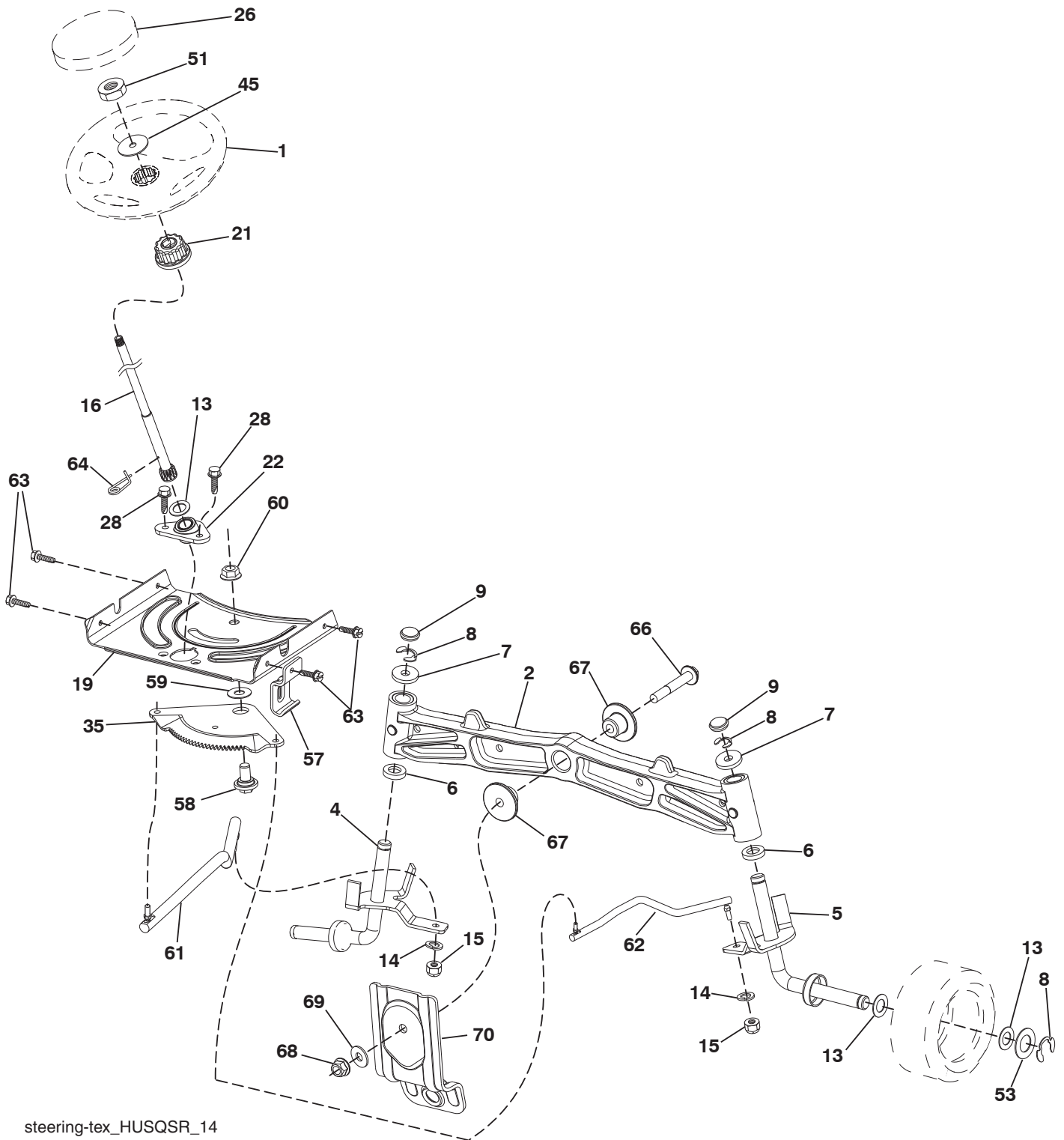
| KEY NO. | PART NO. | DESCRIPTION |
|--------------------|---------------------|---|
| 1 | --- | Engine, Kohl SV735-3033 (445821) (Order parts from engine manufacturer.) |
| 2 | 532 14 97-23 | Muffler |
| 9 | 532 19 43-20 | Keeper Belt Engine |
| 11 | 532 17 93-35 | Clutch Electric |
| 12 | 532 19 43-43 | Pulley Engine |
| 15 | 532 41 41-52 | Tank Fuel 4.0 |
| 18 | 532 43 92-08 | Cap Fuel |
| 20 | 532 18 29-37 | Control Throttle |
| 21 | 532 41 63-58 | Screw #10 x .750 BOS Thread |
| 22 | 532 19 15-96 | Control Choke |
| 28 | 532 40 11-35 | Fuel Line |
| 29 | 532 13 71-80 | Spark Arrester Kit |
| 37 | 532 12 34-87 | Clamp Hose |
| 41 | 532 12 61-97 | Washer 1-1/2 OD x 15/32 ID x .250 |
| 42 | 810 04 07-00 | Washer Lock 7/16 |
| 45 | 873 51 04-00 | Nut Keps Hex 1/4-20 unc |
| 62 | 532 43 40-17 | Shield Heat Muffler |
| 69 | 532 18 60-54 | Gasket |
| 70 | 532 14 66-99 | Tube Exhaust LH |
| 71 | 532 14 67-00 | Tube Exhaust RH |
| 79 | 532 19 23-34 | Screw Socket Head 5/16-18 x .75 |
| 81 | 532 14 84-56 | Tube Drain Oil Easy |
| 82 | 532 42 82-87 | Valve Drain Oil |
| 84 | 817 12 06-16 | Screw 3/8-16 x 1 |
| 85 | 532 17 99-53 | Bolt Hex 7/16-20 x 3.75 Gr. 5 |
| 87 | 532 19 82-39 | Bolt 5/16-18 unc x 1 w/Sems |
| 90 | 817 00 06-16 | Screw 3/8-16 x 1 |
| 91 | 532 18 74-95 | Bushing |
| 109 | 532 41 41-14 | Canister Carbon Filter |
| 110 | 532 41 41-18 | Valve Asm Anti-Slosh |
| 111 | 532 42 07-18 | Purge Line Carb |
| 113 | 532 41 41-27 | Valve Slant Cartridge |

NOTE: All component dimensions given in U.S. inches
1 inch = 25.4 mm

For engine service and replacement parts, call the toll free
number for your engine manufacturer listed below:

Kohler Co. 1-800-544-2444

TRACTOR - MODEL NO. LGT2654 (96045003800), PRODUCT NO. 960 45 00-38
STEERING ASSEMBLY



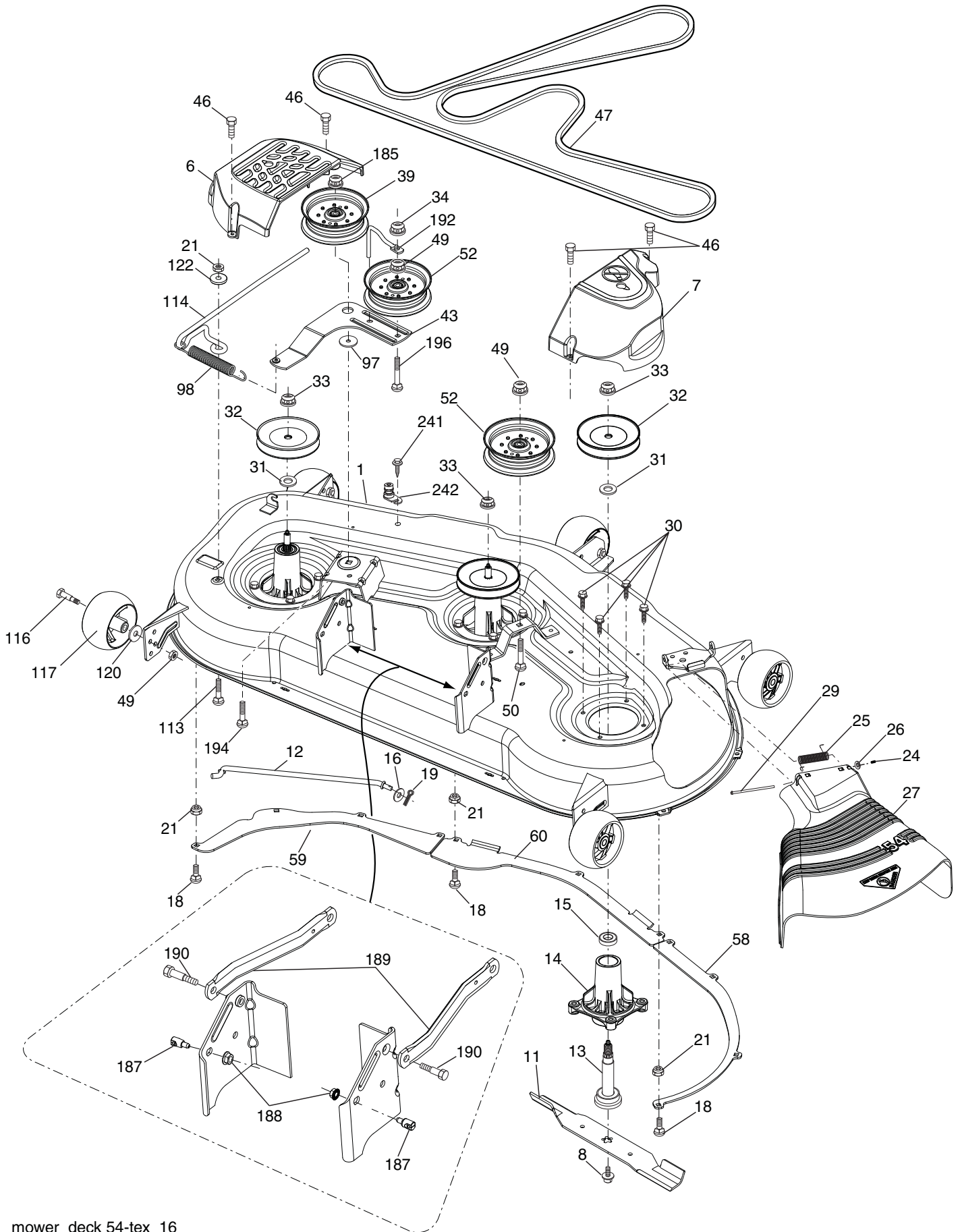
steering-tex_HUSQSR_14

**TRACTOR - MODEL NO. LGT2654 (96045003800), PRODUCT NO. 960 45 00-38
STEERING ASSEMBLY**

| KEY PART NO. | PART NO. | DESCRIPTION |
|---------------------|-----------------|-------------------------------------|
| 1 | 532 43 97-40 | Wheel, Steering |
| 2 | 532 19 59-68 | Axle Asm., Front |
| 4 | 532 40 30-89 | Spindle Asm., LH |
| 5 | 532 40 30-90 | Spindle Asm., RH |
| 6 | 532 12 49-31 | Bearing, Race Thrust Harden |
| 7 | 532 12 17-48 | Washer 25/32 x 1-5/8 x 16 Ga. |
| 8 | 812 00 00-29 | Ring, Clip #T5304-75 |
| 9 | 532 12 12-32 | Cap, Spindle |
| 13 | 532 12 17-49 | Washer 25/32 x 1-1/4 x 16 Ga. |
| 14 | 810 04 06-00 | Washer, Lock Hvy Hlcl Spr 3/8 |
| 15 | 873 54 06-00 | Nut, Crown Lock 3/8-24 unf |
| 16 | 532 40 82-19 | Shaft Steering |
| 19 | 532 19 47-29 | Plate Steering |
| 21 | 532 18 67-37 | Adapter, Wheel Steering |
| 22 | 532 42 05-37 | Supt. Lower, Strg. |
| 26 | 532 43 97-43 | Insert, Wheel Steering |
| 28 | 817 00 06-12 | Screw 3/8-16 x 3/4 |
| 35 | 532 19 47-32 | Gear, Sector Plate |
| 45 | 819 18 38-12 | Washer 9/16 x 2-3/8 x 12 Ga. |
| 51 | 873 94 08-00 | Nut Hex Jam Toplock 1/2-20 unf |
| 53 | 532 18 89-67 | Washer Hardened .793 x 1.637 x .060 |
| 57 | 532 19 72-46 | Bracket Upstop |
| 58 | 532 19 47-47 | Bolt Shoulder Sector Pivot CFM |
| 59 | 532 19 47-48 | Washer Thrust Sector Steering |
| 60 | 873 97 10-00 | Nut Flange Lock 5/8-11 |
| 61 | 532 19 47-40 | Draglink, LH |
| 62 | 532 19 47-41 | Draglink, RH |
| 63 | 817 00 05-12 | Screw 5/16-18 x 3/4 |
| 64 | 532 19 98-49 | Retainer Clip Spring Steering |
| 66 | 871 02 07-48 | Bolt Hex Fghd 7/16-14 x 3 Serr |
| 67 | 532 19 47-37 | Bushing PM Front Axle |
| 68 | 873 90 07-00 | Nut Lock Flange 7/16-14 Gr. 5 |
| 69 | 532 19 91-62 | Washer 1.5 x .505 x .118 |
| 70 | 532 19 61-97 | Bracket Deck Susp. Front |

NOTE: All component dimensions given in U.S. inches
1 inch = 25.4 mm

**TRACTOR - MODEL NO. LGT2654 (96045003800), PRODUCT NO. 960 45 00-38
MOWER DECK**

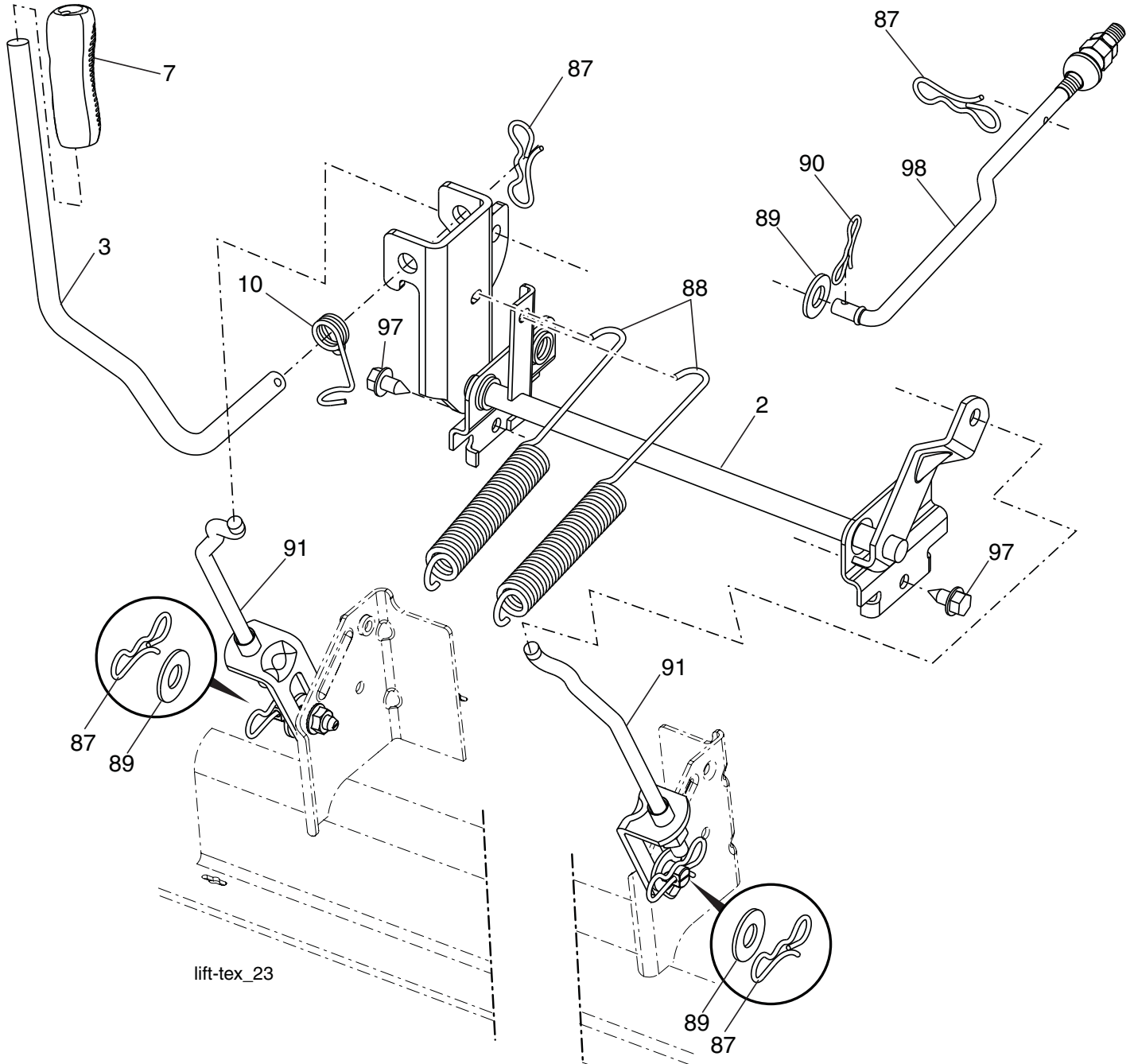


**TRACTOR - MODEL NO. LGT2654 (96045003800), PRODUCT NO. 960 45 00-38
MOWER DECK**

| KEY PART NO. | PART NO. | DESCRIPTION | KEY PART NO. | PART NO. | DESCRIPTION |
|---------------------|-----------------|-------------------------------|---------------------|-----------------|---|
| 1 | 532 44 50-61 | Deck Weldment Mower | 59 | 532 18 73-44 | Baffle Left |
| 6 | 532 19 60-66 | Cover Mandrel LH | 60 | 532 18 76-07 | Baffle Center |
| 7 | 532 19 71-81 | Cover Mandrel RH | 97 | 532 17 85-15 | Washer Hardened |
| 8 | 532 19 30-03 | Bolt 7/16 Asm. Blade | 98 | 532 19 61-05 | Spring Drive |
| 11 | 532 18 72-56 | Blade Bagging | 113 | 872 11 05-08 | Bolt Rdhd Sqnk 5/16-18 x 3/4 |
| 12 | 532 40 48-51 | Rod Anti Sway | 114 | 532 18 75-56 | Rod Tension Relief |
| 13 | 532 18 72-91 | Shaft Asm. w/Lower Bearing | 116 | 532 19 34-06 | Bolt, Shoulder |
| 14 | 532 18 72-81 | Housing, Mandrel | 117 | 532 17 48-73 | Gauge Wheel |
| 16 | 819 13 13-12 | Washer 3/8 | 120 | 819 13 20-12 | Washer 13/32 x 1-1/4 x 12 Ga. |
| 15 | 532 11 04-85 | Bearing, Ball, Mandrel | 122 | 532 18 75-57 | Bushing Tension Relief |
| 18 | 872 14 05-05 | Bolt Carriage 5/16-18 x 5/8 | 185 | 873 90 07-00 | Nut Lock Flange 7/16-14 Gr. 5 |
| 19 | 532 19 42-08 | Pin Cotter 5/16 Bowtie | 187 | 532 19 51-61 | Stud Fastener w/"D" Anti-Rotation |
| 21 | 873 68 05-00 | Nut, Crownlock 5/16-18 unc | 188 | 873 90 05-00 | Nut Lock Hex Flange |
| 24 | 532 10 53-04 | Cap Sleeve | 189 | 532 19 51-85 | Arm Susp. Mower Rear |
| 25 | 532 17 81-02 | Spring, Torsion | 190 | 532 19 65-39 | Bolt Shoulder |
| 26 | 532 11 04-52 | Nut, Push | 192 | 532 19 84-68 | Keeper Belt Idler |
| 27 | 532 18 89-38 | Deflector Shield | 194 | 874 49 07-36 | Bolt 7/16-24 |
| 29 | 532 13 14-91 | Rod, Hinge | 196 | 872 14 06-20 | Bolt Rdhd 3/8-16 x 2-1/2 Gr. 5 |
| 30 | 532 17 39-84 | Screw, Thdroll Washer Head | 241 | 532 15 29-27 | Screw |
| 31 | 532 18 76-90 | Washer, Spacer Mower Vented | 242 | 532 41 55-98 | Washout Port |
| 32 | 532 15 35-35 | Pulley, Mandrel | -- | 532 41 64-05 | Coupling, Quick Connect |
| 33 | 532 40 02-34 | Nut, Flg. Top Lock | -- | 532 18 72-92 | Mandrel Assembly (Includes housing, shaft assembly, and bearing only - pulley/nut/washer and blade bolt/washers not included) |
| 34 | 873 68 06-00 | Nut Crownlock 3/8-16 unc | -- | 532 41 82-29 | Replacement Mower, Complete |
| 39 | 532 19 73-80 | Pulley, Idler, Stationary LH | | | |
| 43 | 532 19 60-65 | Arm, Idler | | | |
| 46 | 532 13 77-29 | Screw, Thdroll. 1/4-20 x 5/8 | | | |
| 47 | 532 19 61-03 | Belt Deck Drive | | | |
| 49 | 873 90 06-00 | Nut, Lock Flg. 3/8-16 unc | | | |
| 50 | 872 11 06-16 | Bolt Rdhd Sqnk 3/8-16 unc x 2 | | | |
| 52 | 532 19 73-79 | Pulley Idler | | | |
| 58 | 532 18 73-42 | Baffle Right | | | |

NOTE: All component dimensions given in U.S. inches
1 inch = 25.4 mm

**TRACTOR - MODEL NO. LGT2654 (96045003800), PRODUCT NO. 960 45 00-38
MOWER LIFT**

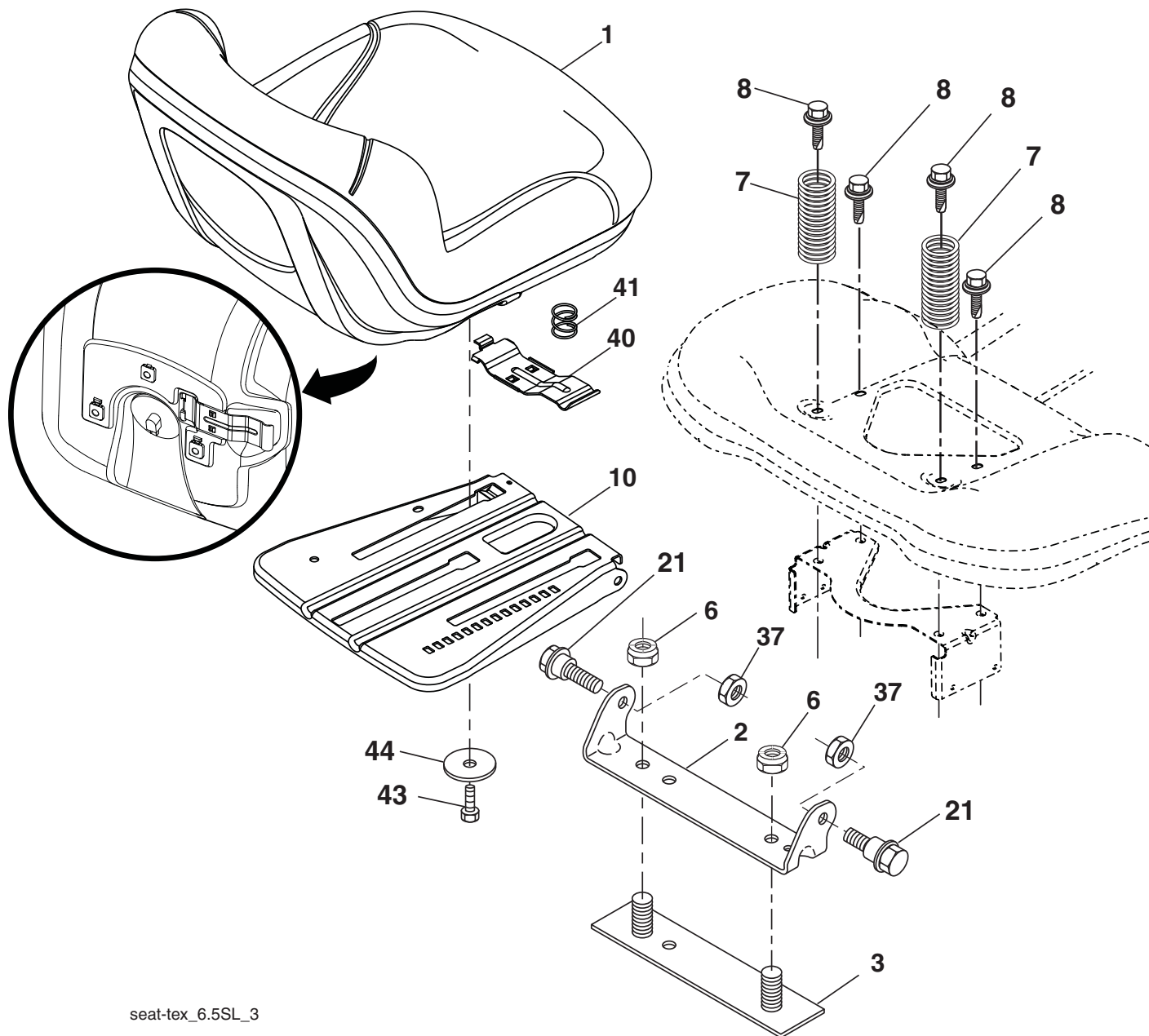


| KEY PART NO. | PART NO. | DESCRIPTION |
|--------------|--------------|------------------------------|
| 2 | 532 42 20-27 | Shaft Asm., Lift |
| 3 | 532 19 52-30 | Lever Asm., Lift RH |
| 7 | 532 41 15-55 | Grip, Lever |
| 10 | 532 19 63-14 | Spring Torsion |
| 87 | 532 19 42-09 | Pin Cotter 7/16 Bow Tie Lock |
| 88 | 532 19 53-04 | Spring Lift Assist |
| 89 | 819 19 19-12 | Washer Clear Zinc |

| KEY PART NO. | PART NO. | DESCRIPTION |
|--------------|--------------|------------------------------|
| 90 | 532 19 42-08 | Pin Cotter 5/16 Bow Tie Lock |
| 91 | 532 40 34-07 | Link Lift Susp Mower Rear |
| 97 | 817 00 06-12 | Screw 3/8-16 x 3/4 |
| 98 | 532 19 52-64 | Link Lift Susp. Front Mower |

NOTE: All component dimensions given in U.S. inches
1 inch = 25.4 mm

**TRACTOR - MODEL NO. LGT2654 (96045003800), PRODUCT NO. 960 45 00-38
SEAT ASSEMBLY**



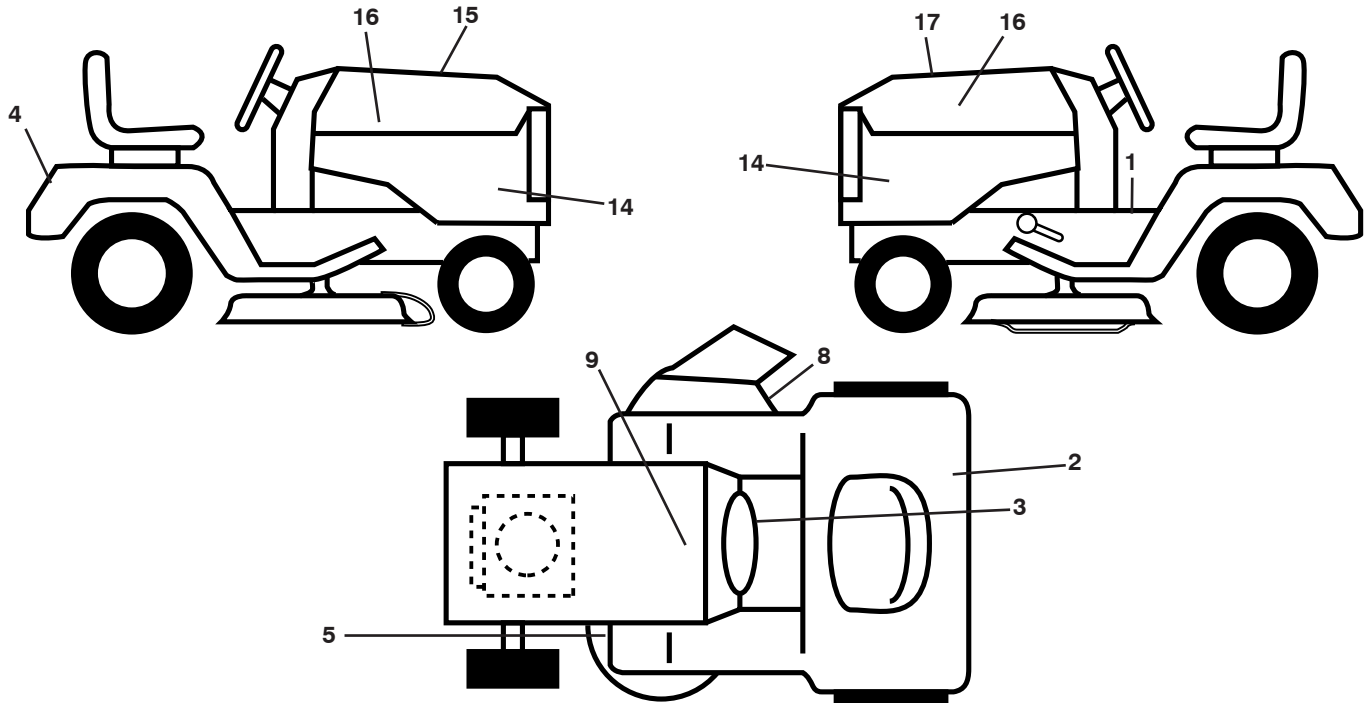
seat-tex_6.5SL_3

| KEY PART NO. | PART NO. | DESCRIPTION |
|--------------|--------------|-------------------------------|
| 1 | 532 43 98-22 | Seat |
| 2 | 532 18 01-66 | Bracket Pivot Fender |
| 3 | 532 14 06-75 | Strap, Asm Fender |
| 6 | 873 80 06-00 | Nut, Lock w/Ins. 3/8-16 unc |
| 7 | 532 12 41-81 | Spring, Seat Cprsn |
| 8 | 532 17 18-77 | Bolt 5/16-18 unc x 3/4 w/Sems |
| 10 | 532 19 69-77 | Pan, Seat |
| 21 | 532 17 18-52 | Bolt, Shoulder 5/16-18 |

| KEY PART NO. | PART NO. | DESCRIPTION |
|--------------|--------------|-------------------------------|
| 37 | 873 80 05-00 | Nut, Lock 5/16-18 unc |
| 40 | 532 19 76-61 | Handle Slide Seat |
| 41 | 532 19 82-00 | Spring Latch Seat |
| 43 | 874 76 06-12 | Bolt 3/8-16 x 3/4 |
| 44 | 819 13 38-12 | Washer 13/32 x 2-3/8 x 12 Ga. |

NOTE: All component dimensions given in U.S. inches
1 inch = 25.4 mm

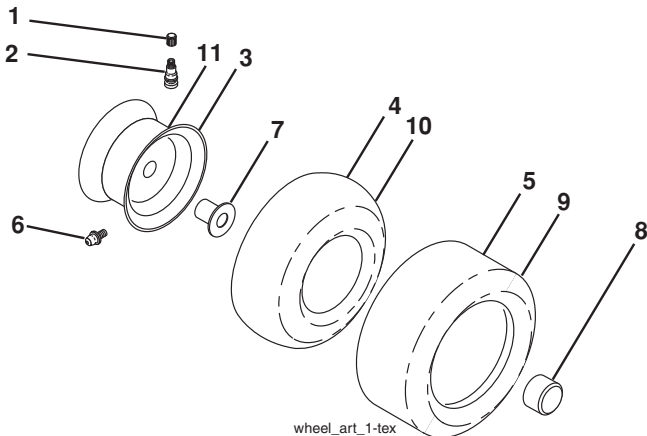
**TRACTOR - MODEL NO. LGT2654 (96045003800), PRODUCT NO. 960 45 00-38
DECALS**



| KEY PART NO. | PART NO. | DESCRIPTION |
|--------------|--------------|----------------------------------|
| 1 | 532 17 05-63 | Decal, Warning |
| 2 | 532 41 91-38 | Decal, Warn.Startinst.Lowerarine |
| 3 | 532 42 41-02 | Decal, Warning Spark Arrestor |
| 4 | 532 19 15-54 | Decal, Fender |
| 5 | 532 17 84-55 | Decal, Caution |
| 8 | 532 19 87-85 | Decal, Mower Sch. |
| 9 | 532 14 50-05 | Decal, Battery Dnge/Poi |
| 14 | 532 44 64-69 | Decal, Panel Side |
| 15 | 532 42 38-29 | Decal, Warning Customer Resp. |

| KEY PART NO. | PART NO. | DESCRIPTION |
|--------------|--------------|------------------------------------|
| 16 | 532 42 91-96 | Decal, Hood Logo |
| 17 | 532 44 52-96 | Decal, Replacement |
| -- | 532 16 69-60 | Decal, Bypass |
| -- | 532 43 98-82 | Pad, Footrest, LH |
| -- | 532 44 15-42 | Pad, Footrest, RH |
| -- | 532 44 66-11 | Manual, Operator's English/Spanish |
| -- | 432 44 66-12 | Manual, Parts English/Spanish |

WHEELS AND TIRES



| KEY PART NO. | PART NO. | DESCRIPTION |
|--------------|--------------|------------------------------------|
| 1 | 532 05 91-92 | Cap, Valve, Tire |
| 2 | 532 06 51-39 | Stem, Valve |
| 3 | 532 18 18-39 | Rim Assembly, Front |
| 4 | 532 00 81-34 | Tube, Front (Service Item Only) |
| 5 | 532 10 62-30 | Tire, Front |
| 6 | 532 12 49-57 | Fitting, Grease (Front Wheel Only) |
| 7 | 532 12 49-59 | Bearing, Flange (Front Wheel Only) |
| 8 | 532 17 50-39 | Cap, Axle |
| 9 | 532 18 47-08 | Tire, Rear |
| 10 | 532 00 71-54 | Tube, Rear (Service Item Only) |
| 11 | 532 40 17-82 | Rim Assembly, Rear |
| -- | 532 14 43-34 | Sealant, Tire (10 oz. Tube) |

NOTE: All component dimensions given in U.S. inches
1 inch = 25.4 mm