



Mod. L 77
Reservdelar
Spare parts
Ersatzteile
Pièces de rechange

10 12 349-96 A

10. 6-73

Flik
Sheet No.
Register
Index

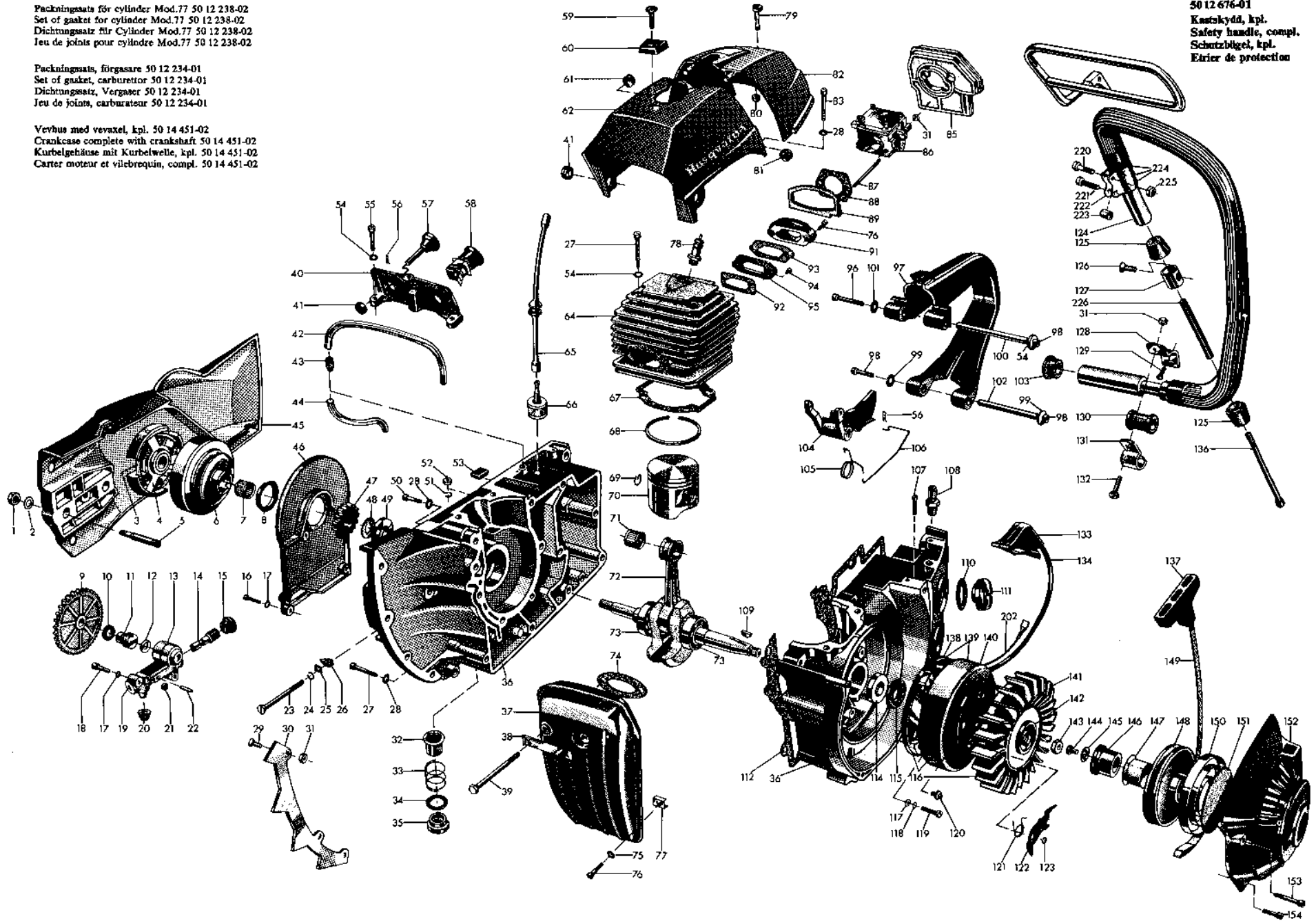
4

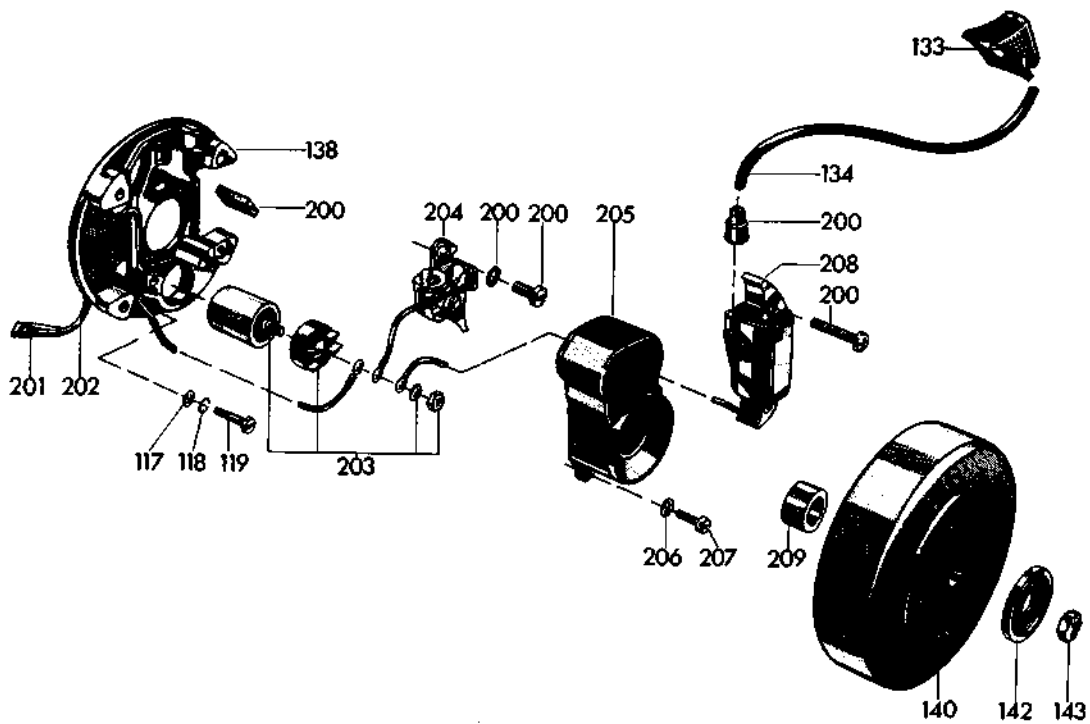
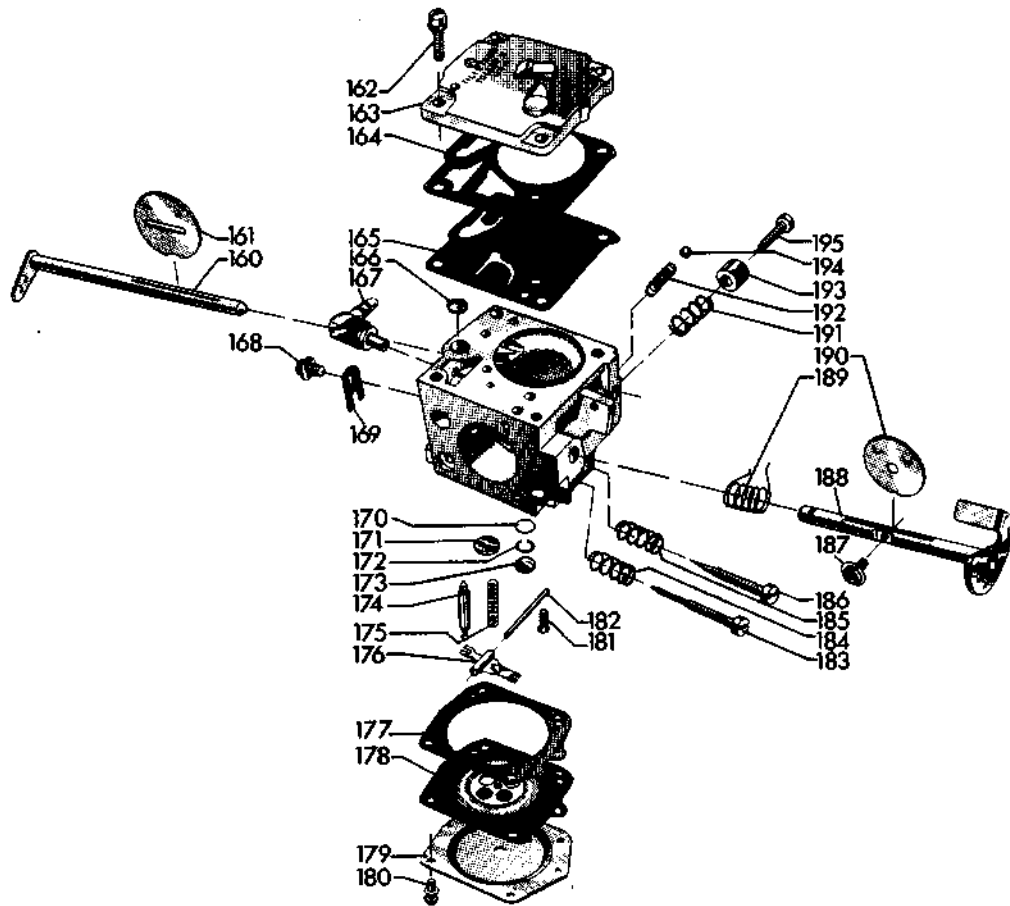
Packningsats för cylinder Mod.77 50 12 238-02
 Set of gasket for cylinder Mod.77 50 12 238-02
 Dichtungssatz für Cylinder Mod.77 50 12 238-02
 Jeu de joints pour cylindre Mod.77 50 12 238-02

Packningsats, förgasare 50 12 234-01
 Set of gasket, carburettor 50 12 234-01
 Dichtungssatz, Vergaser 50 12 234-01
 Jeu de joints, carburateur 50 12 234-01

Vevhus med vevaxel, kpl. 50 14 451-02
 Crankcase complete with crankshaft 50 14 451-02
 Kurbelgehäuse mit Kurbelwelle, kpl. 50 14 451-02
 Carter moteur et vilebrequin, compl. 50 14 451-02

50 12 676-01
 Kastsydd, kpl.
 Safety handle, compl.
 Schutzhülse, kpl.
 Étrier de protection





| Bild-nr | Beställn.-nummer | Anm. |
|----------|------------------|---------|
| Fig. No. | Part number | Remarks |
| Abb. Nr | Best. Nr | Anm. |
| Fig. No. | No de commande | Notes |
| 1 | 299 52 60-11 | |
| 2 | 250 12 47-12 | |
| 3 | 501 20 87-01 | |
| 4 | 501 27 79-01 | |
| 5 | 501 41 48-01 | |
| 6 | 501 20 40-01 | ?"\$" |
| | 501 20 37-01 | 0.404" |
| 7 | 501 20 51-01 | |
| 8 | 501 27 74-01 | |
| 9 | 501 20 33-01 | |
| 10 | 296 51 69-08 | |
| 11 | 501 20 27-01 | |
| 12 | 501 20 32-01 | |
| 13 | 501 21 58-01 | |
| 14 | 501 20 28-01 | |
| 15 | 501 20 30-01 | |
| 16 | 206 22 93-52 | |
| 17 | 501 21 22-01 | |
| 18 | 202 42 95-42 | |
| 19 | 501 20 25-01 | kpl. |
| 20 | 501 20 71-01 | |
| 21 | 501 20 31-01 | |
| 22 | 501 21 23-01 | |
| 23 | 501 15 43-01 | |
| 24 | 289 52 05-01 | |
| 25 | 501 24 81-01 | |
| 26 | 501 22 68-01 | |
| 27 | 202 43 40-55 | |
| 28 | 288 81 70-01 | |
| 29 | 206 33 28-11 | |
| 30 | 501 20 88-01 | |
| 31 | 258 11 31-52 | |
| 32 | 501 20 66-01 | |
| 33 | 501 20 67-01 | |
| 34 | 501 20 68-01 | |
| 35 | 501 20 69-01 | |
| 36 | 501 44 92-01 | N |
| 37 | 501 25 32-01 | |
| 38 | 501 27 92-01 | |
| 39 | 200 63 82-42 | |
| 40 | 501 20 75-02 | |
| 41 | 501 24 82-01 | |
| 42 | 501 15 61-04 | |
| 43 | 501 22 41-01 | |
| 44 | 501 26 05-03 | |
| 45 | 501 21 63-02 | |
| 46 | 501 21 59-01 | |
| 47 | 501 20 45-01 | |
| 48 | 299 51 55-01 | |
| 49 | 296 52 49-01 | |
| 50 | 202 43 32-55 | |
| 51 | 501 21 67-01 | |
| 52 | 501 21 27-01 | |
| 53 | 501 20 98-01 | |
| 54 | 288 81 70-01 | |
| 55 | 202 43 29-55 | |
| 56 | 501 22 43-01 | |
| 57 | 501 21 02-01 | |
| 58 | 501 42 66-01 | |
| 59 | 501 25 15-01 | |
| 60 | 501 25 14-01 | |
| 61 | 501 27 13-01 | |
| 62 | 501 42 06-01 | |
| 63 | | |
| 4+70 | 501 25 02-01 | |
| 65 | 501 42 65-01 | N |
| 66 | 501 28 69-01 | |
| 67 | 501 28 93-01 | |
| 68 | 501 26 09-02 | |
| 69 | 501 05 64-01 | |
| 70 | 501 25 04-02 | |
| | Class A | |
| | 501 25 04-03 | |

A. Standard
B. Export

| Bild-nr | Beställn.-nummer | Anm. |
|----------|------------------|---------|
| Fig. No. | Part number | Remarks |
| Abb. Nr | Beat. Nr | Anm. |
| Fig. No. | No de commande | Notes |
| | Class B | |
| | 501 25 04-04 | |
| | class c | |
| | 501 25 04-05 | |
| | Class D | |
| | 501 25 04-06 | |
| | Class E | |
| 71 | 501 15 28-10 | |
| 72 | 501 20 21-02 | |
| 73 | 293 11 95-04 | |
| 74 | 501 25 21-01 | |
| 75 | 284 71 70-01 | |
| 76 | 202 43 28-55 | |
| 77 | 501 24 97-01 | |
| 78 | 501 21 66-02 | |
| 79 | 501 21 93-01 | |
| 80 | 501 21 94-01 | |
| 81 | 112 70 43-02 | |
| 82 | 501 21 04-02 | |
| 83 | 202 43 35-55 | |
| 84 | 501 20 61-01 | A |
| | 501 20 61-02 | B |
| 86 | 501 41 75-02 | |
| 87 | 204 13 03-52 | |
| 88 | 501 25 09-01 | |
| 89 | 501 42 05-01 | |
| 91 | 501 42 04-01 | |
| 92 | 501 25 10-01 | |
| 93 | 501 42 03-01 | |
| 94 | 200 24 42-02 | |
| 95 | 501 42 02-01 | |
| 96 | 206 23 31-11 | |
| 97 | 501 21 62-01 | |
| 98 | 206 23 28-11 | |
| 99 | 280 13 18-41 | |
| 100 | 501 24 20-01 | |
| 101 | 299 52 45-03 | |
| 102 | 501 20 82-02 | |
| 103 | 501 20 91-01 | |
| 104 | 501 20 81-01 | |
| 105 | 501 21 38-01 | |
| 106 | 501 21 37-01 | |
| 107 | 283 52 17-01 | |
| 108 | 501 22 40-03 | |
| 109 | 290 12 30-01 | |
| 110 | 501 27 82-01 | |
| 111 | 501 27 77-01 | |
| 112 | 501 42 64-01 | N |
| 114 | 296 52 49-01 | |
| 115 | 501 24 09-01 | |
| 116 | 501 43 03-01 | |
| 117 | 281 61 65-01 | |
| 118 | 280 42 80-01 | |
| 119 | 206 22 93-52 | |
| 120 | 501 40 77-01 | |
| 121 | 501 42 13-01 | |
| 122 | 501 40 16-01 | |
| 123 | 289 52 05-01 | |
| 124 | 501 26 69-01 | |
| 125 | 501 30 98-02 | |
| 126 | 299 89 37-45 | |
| 127 | 501 25 90-01 | |
| 128 | 501 25 91-01 | |
| 129 | 501 26 74-01 | |
| 130 | 501 26 73-01 | |
| 131 | 501 26 75-01 | |
| 132 | 206 23 27-11 | |
| 133 | 501 25 13-01 | |
| 134 | 161 41 22-10 | per/m |
| 136 | 202 43 86-45 | |
| 137 | 501 26 98-01 | |
| 138 | 501 43 57-01 | 200-208 |
| 139 | 501 43 04-01 | |

N. Ny reservdel
New spare part
Neues Ersatzteil
Nouvelle pièce

| Bild-nr | Beställn.-nummer | Anm. |
|----------|------------------|---------|
| Fig. No. | Part number | Remarks |
| Abb. Nr | Beat. Nr | Anm. |
| Fig. No. | No de commande | Notes |
| 140 | 501 43 07-01 | |
| 141 | 501 40 99-01 | N |
| 142 | 501 42 14-01 | N |
| 143 | 250 12 69-01 | N |
| 144 | 299 89 42-45 | N |
| 145 | 501 40 89-01 | N |
| 146 | 501 40 27-01 | N |
| 147 | 501 40 72-01 | N |
| 148 | 501 40 24-01 | N |
| 149 | 501 21 81-01 | |
| 150 | 501 40 22-01 | N |
| 151 | 501 40 21-01 | N |
| 152 | 501 43 02-01 | N |
| 153 | 206 23 35-11 | |
| 154 | 206 23 29-11 | |
| 160 | 501 22 06-01 | |
| 161 | 501 22 07-01 | |
| 162 | 501 22 15-01 | |
| 163 | 501 22 14-01 | |
| 164 | 501 22 13-01 | |
| 165 | 501 22 12-01 | |
| 166 | 501 22 24-01 | |
| 167 | 501 23 88-01 | |
| 168 | 501 22 30-01 | |
| 169 | 501 22 29-01 | |
| 170 | 501 22 00-01 | |
| 171 | 501 22 03-01 | |
| 172 | 501 22 01-01 | |
| 173 | 501 22 02-01 | |
| 174 | 501 22 23-01 | |
| 175 | 501 22 25-01 | |
| 176 | 501 22 20-01 | |
| 177 | 501 22 08-01 | |
| 178 | 501 22 09-01 | |
| 179 | 501 22 10-01 | |
| 180 | 501 22 11-01 | |
| 181 | 501 22 22-01 | |
| 182 | 501 22 21-01 | |
| 183 | 501 22 16-01 | |
| 184 | 501 26 91-01 | |
| 185 | 501 22 17-01 | |
| | 501 12 26-01 | |
| 187 | 501 22 30-01 | |
| 188 | 501 22 28-01 | |
| 189 | 501 22 31-01 | |
| 190 | 501 22 32-01 | |
| 191 | 501 22 19-01 | |
| 192 | 501 22 05-01 | |
| 193 | 501 25 46-01 | |
| 194 | 501 22 04-01 | |
| 195 | 501 22 18-01 | |
| 200 | 501 43 67-01 | N |
| 201 | 277 20 21-30 | N |
| 202 | 501 43 65-01 | N |
| 203 | 501 43 63-01 | N |
| 204 | 501 43 60-01 | N |
| 205 | 501 43 61-01 | N |
| 206 | 288 81 40-12 | N |
| 207 | 206 22 22-46 | N |
| 208 | 501 43 59-01 | N |
| 209 | 501 25 24-01 | N |
| 220 | 205 62 58-56 | |
| 221 | 206 23 70-12 | |
| 222 | 501 26 83-01 | |
| 223 | 501 26 84-01 | |
| 224 | 287 00 49-01 | |
| 225 | 258 01 42-01 | |
| 226 | 501 25 91-01 | |

5014301-01
Startapparat, kpl.
Starting device, compl.
Anwerfvorrichtung, kpl.
Démarreur, compl.