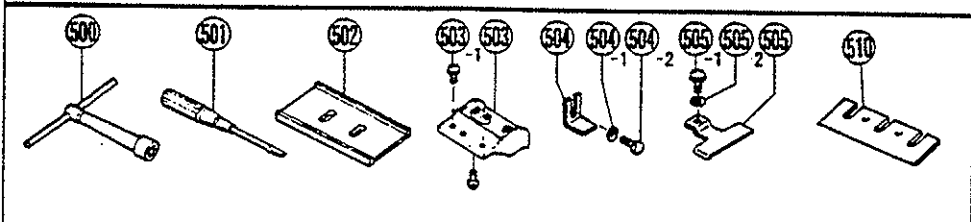
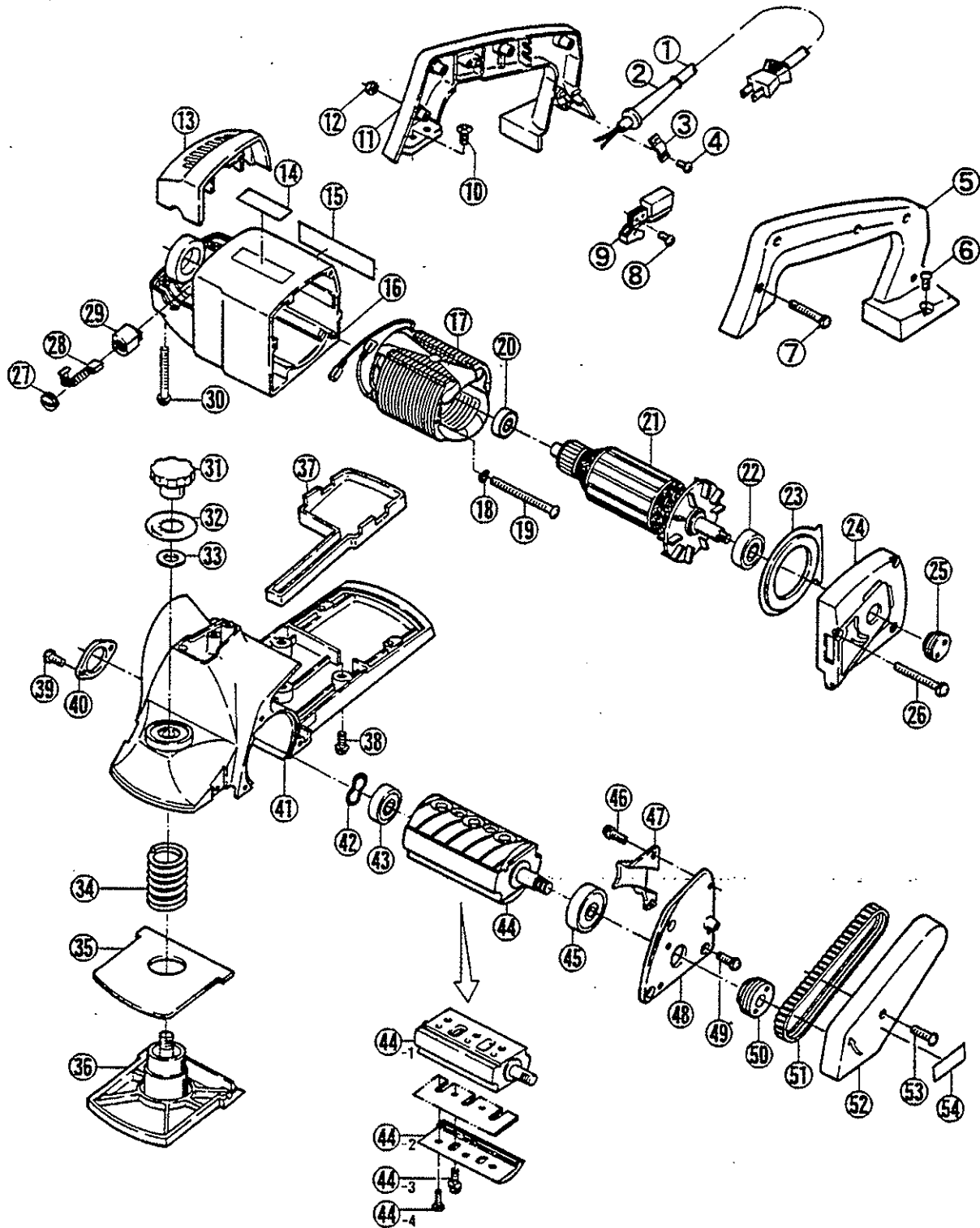


HAND PLANER

L-150



PARTS LIST FOR AFTER SALES SERVICE MODEL L150

R#	PART NO.	DESCRIPTION	QTY	REF	PART NO.	DESCRIPTION	QTY
1	6520331	CORD ASS'Y AWG#18X2X2	1	44-2	6940149	BLADE BINDER	2
2	6560044	CORD HOLDER	1	44-3	6130052	PAN SCREW M4X8	4
3	6560067	CORD CLAMP	1	44-4	6131157	HEX HEAD BOLT M6X17	6
4	9060414	TAPPING SCREW (B) M4X14	2	45	969235005	BALL BEARING #6200LLU	1
5	6830441	HANDLE (B)	1	46	9020406	PHILLIPS PAN SCREW M4X6	2
6	9040414	TAPPING SCREW (S) M4X14	2	47	6150512	BLOW GUIDE	1
7	9020425	PHILLIPS PAN SCREW M4X25	5	48	6880292	BLOCK COVER	1
8	9060410	TAPPING SCREW (B) M4X10	1	49	9020408	PHILLIPS PAN SCREW M4X8	3
9	6550101	TRIGGER SWITCH	1	50	6860030	PULLEY (L)	1
10	9150516	FLAT TAPPING SCREW (S) M5X16	2	51	6860041	POLY V-BELT	1
11	6830428	HANDLE (A)	1	52	6880317	BELT COVER	1
12	9310400	HEX NUT M4	5	53	9020408	PHILLIPS PAN SCREW M4X8	1
13	6880311	TAIL COVER	1	54	6920903	"RYOBI" MARK #8	1
14	6920233	"RYOBI" MARK	1				
15	6910804	NAME PLATE	1				
STANDARD ACCESSORIES							
16	6800437	MOTOR HOUSING	1	500	6240063	"T" TYPE WRENCH 9	1
*~	6800436	MOTOR HOUSING	1	501	6240023	SCREWDRIVER SLOTTED	1
17	6500450	FIELD COIL	1	502	6071853	BLADE ADJUSTMENT GAUGE	1
*~	6500434	FIELD COIL	1	503	6070163	SHARPENING HOLDER	1
18	9550400	SPRING WASHER M4	2	503-1	6130179	PHILLIPS PAN SCREW M6X12	4
19	9060450	TAPPING SCREW (B) M4X50	2	504	6070803	RABBETING GUIDE	1
*~	9060460	TAPPING SCREW (B) M4X60	2	504-1	6900101	WASHER	1
20	9840627	BALL BEARING #627LLB	1	504-2	6130314	PAN SCREW M5X10	1
21	030479	ARMATURE	1	505	6071843	SIDE PLATE	1
*~	6030473	ARMATURE	1	505-1	6130314	PAN SCREW M5X10	1
22	989377002	BALL BEARING #6000LLU	1	505-2	6900101	WASHER	1
23	6490094	FAN CASING	1	510	6660223	3-5/8" PLANER BLADE	1
24	6360085	BRACKET	1				
25	6860028	PULLEY (S)	1				
26	9020425	PHILLIPS PAN SCREW M4X25	3				
27	6570070	BRUSH CAP	2				
28	6540033	CARBON BRUSH SET	1				
29	6570026	BRUSH HOLDER	2				
30	9020425	PHILLIPS PAN SCREW M4X25	2				
31	6830456	KNOB	1				
32	6920225	DEPTH SCALE "INCH"	1				
33	9561000	WASHER	1				
34	6180069	COMPRESSION SPRING	1				
35	6930019	DUST SPONGE	1				
36	6850164	FRONT SHOE	1				
37	6590134	HOUSING INSULATOR	1				
38	9020514	PHILLIPS PAN SCREW M5X14	3				
39	9020408	PHILLIPS PAN SCREW M4X8	2				
40	6150608	BEARING COVER	1				
41	6800471	MAIN SHOE	1				
42	9642600	WAVE WASHER	1				
43	9840629	BALL BEARING #629LLB	1				
44	340150	CUTTER BLOCK COMPLETE	1				
44-1	6940578	CUTTER BLOCK	1				

SERVICE NOTES:
 * MOTOR STYLE USED PRIOR TO SERIAL #053894 9224
 NOT INTERCHANGEABLE WITH NEW STYLE MOTOR.

