

## Carrying Case - 2 610 014 480 - LBOXX-3

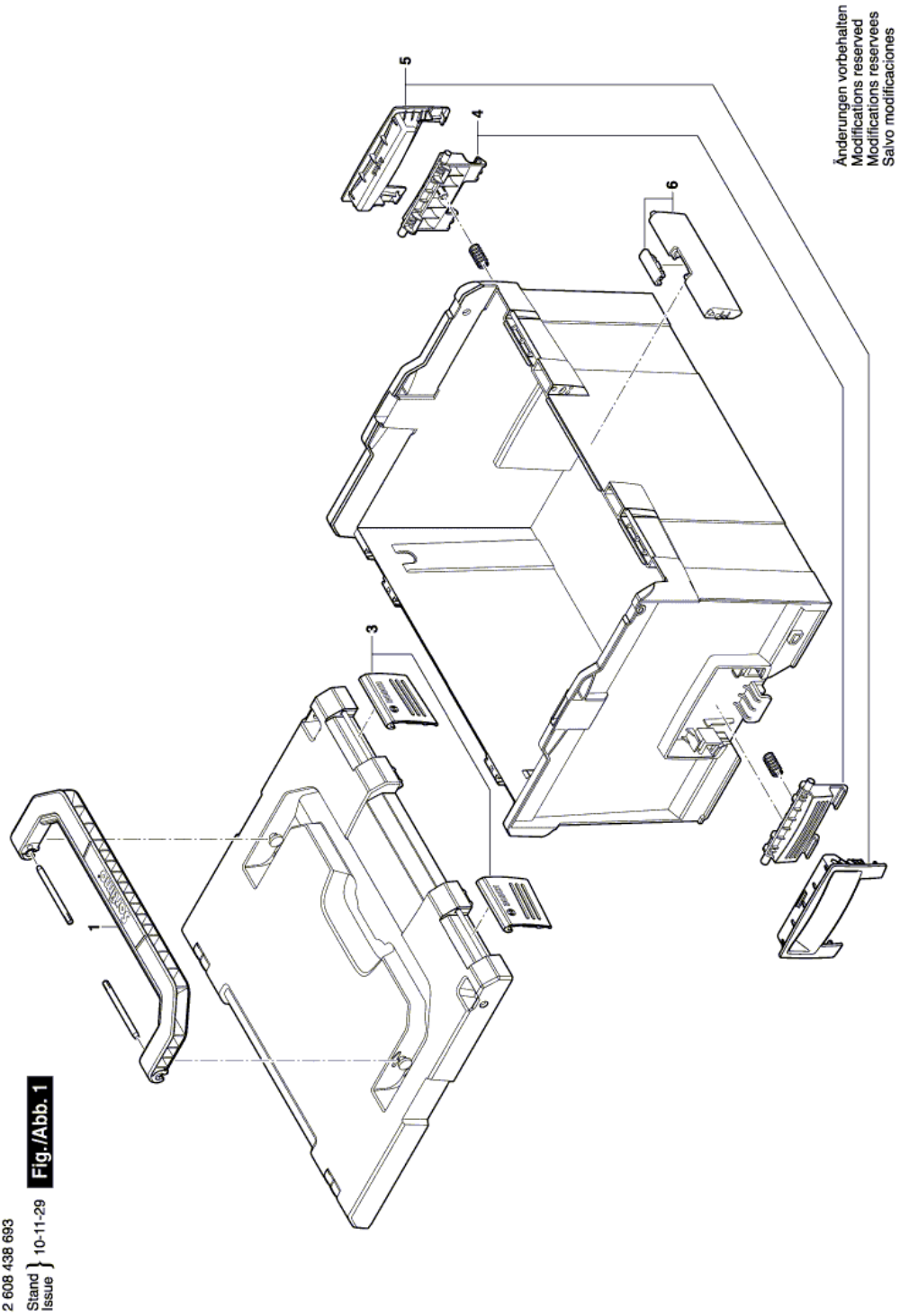
[www.powertools-aftersaleservice.com](http://www.powertools-aftersaleservice.com)



**BOSCH**

Item	Part Number	Description	Illustration	Price	Quantity	Price Group
1	1 600 A00 0JT	Carrying Handle		1	-,-	1 27
3	1 600 A00 0J5	Seal Parts Set		1	-,-	1 25
4	1 600 A00 0J7	Coupling element		1	-,-	1 24
5	1 600 A00 0J9	Handle Cover		1	-,-	1 26
6	1 600 A00 0J8	Handle Bar		1	-,-	1 24

Illustration - Type E



Information subject to change without further notice.