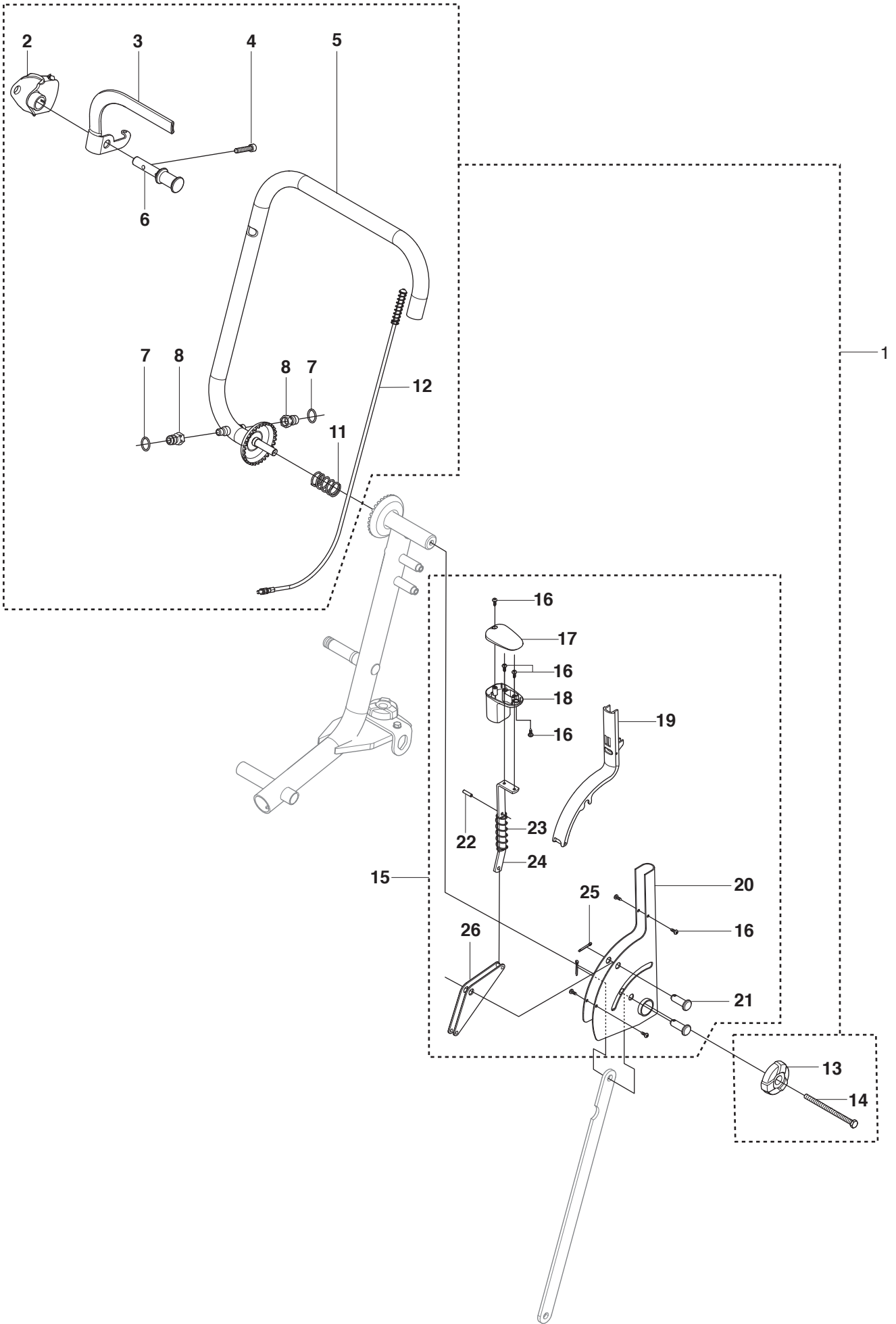




KV960

Spare parts

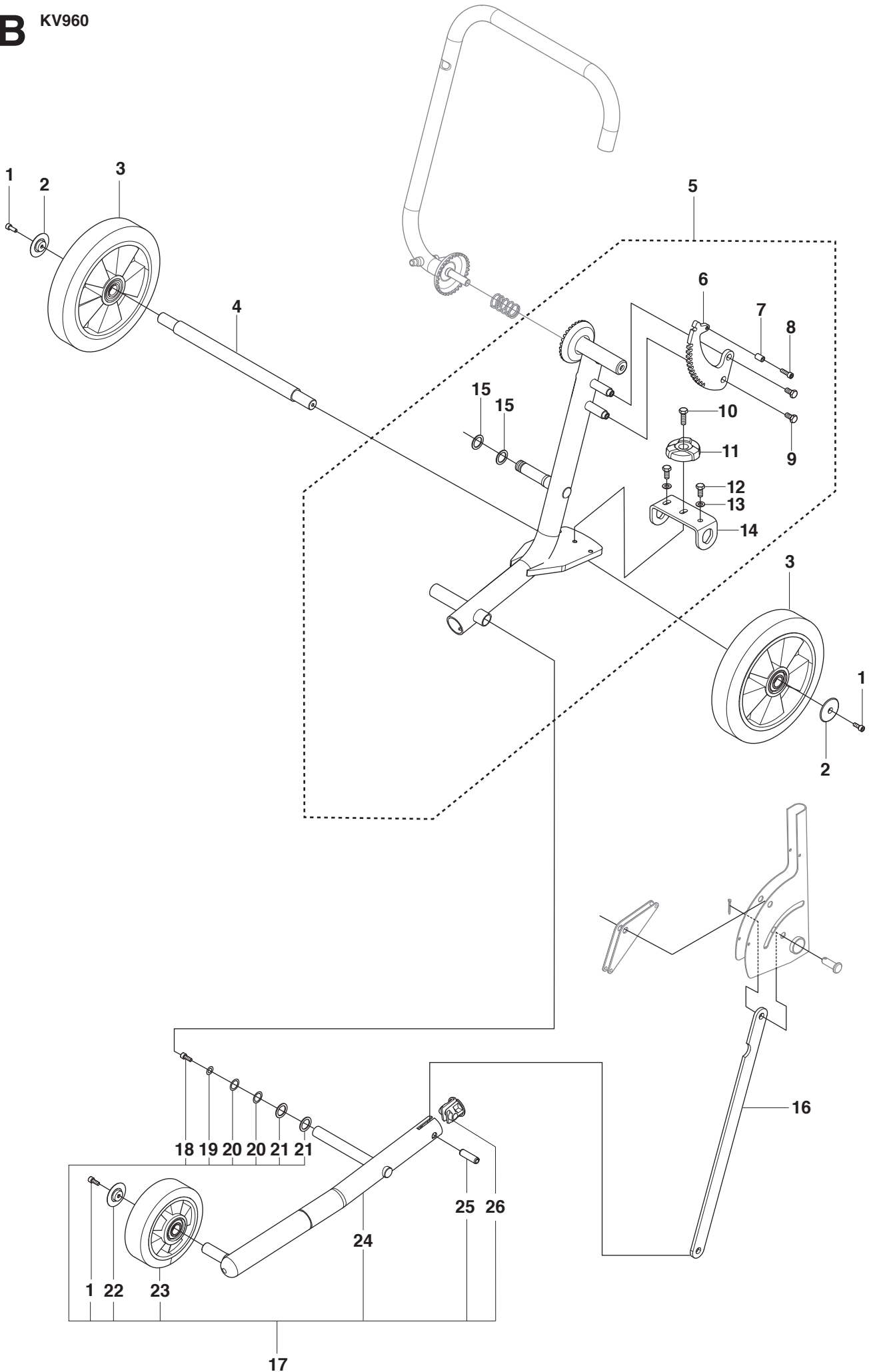
A KV960



Page A
KV960

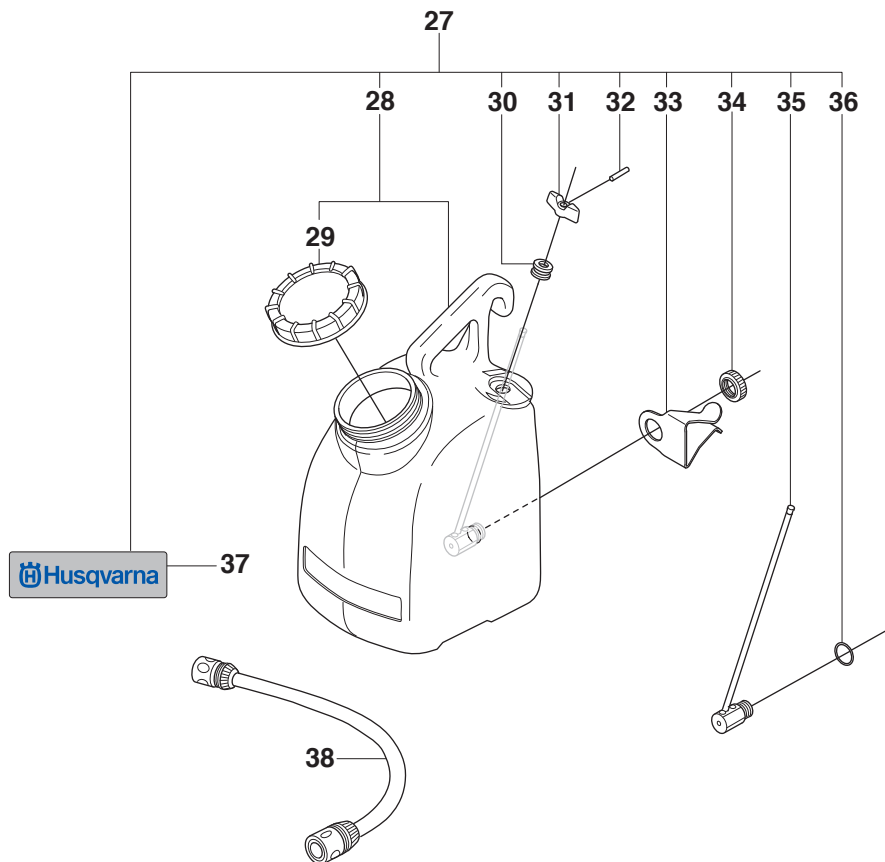
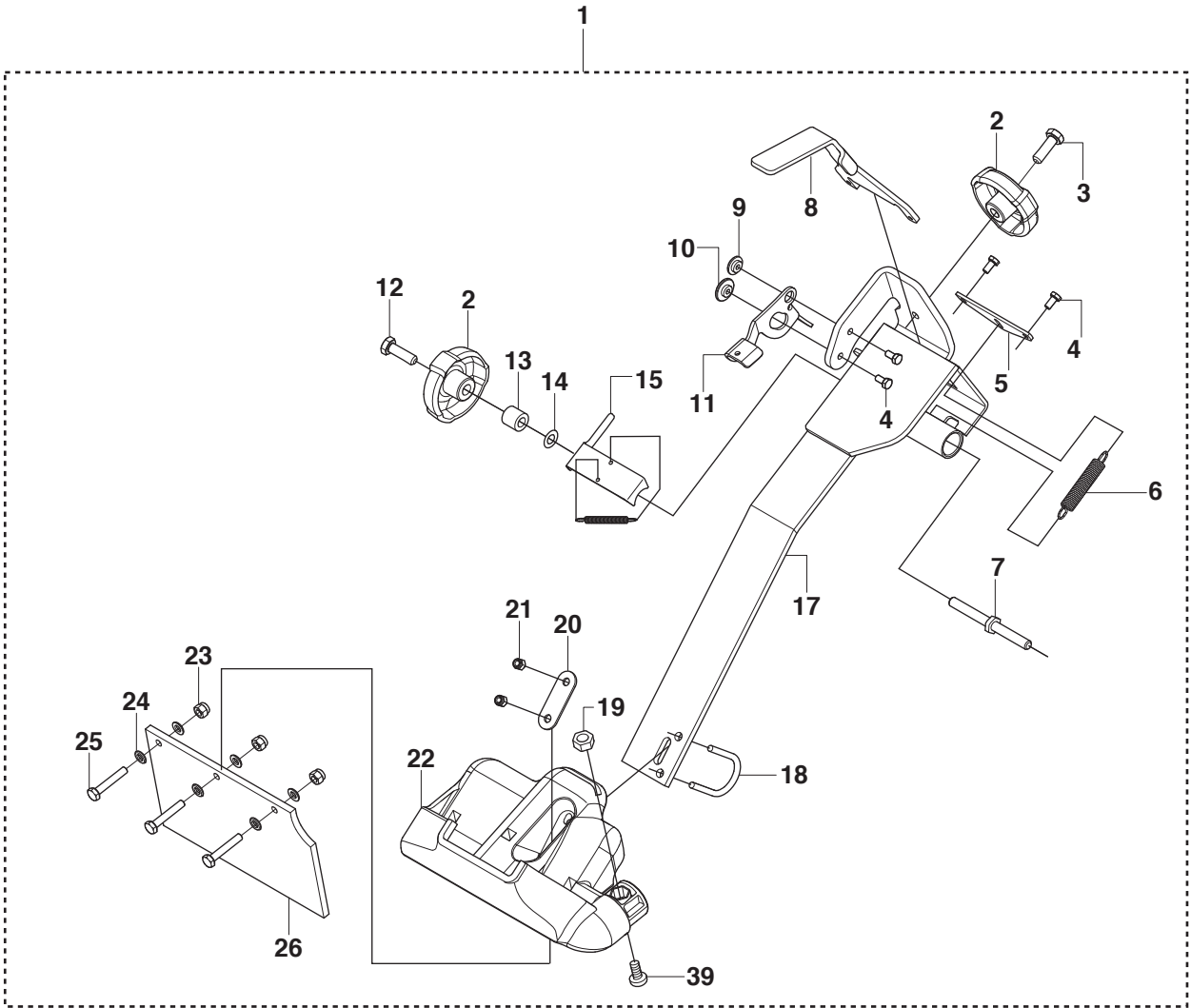
Pos.	Part No.	Description	Quantity	Notes
1	544 95 35-04	HANDLEBAR ASSY	1	Incl. 2 - 14
2	544 91 97-01	COVER	1	
3	544 95 37-01	THROTTLE HANDLE ASSY	1	
4	725 54 59-01	SCREW	1	
5	544 95 36-01	HANDLE	1	
6	544 92 11-01	SHAFT	1	
7	502 46 51-01	O-RING	2	
8	506 30 87-01	COUPLER	2	
9	543 85 00-93	WASHER	1	
10	544 98 17-01	HOLDER	1	
11	544 98 16-01	SPRING THROTTLE CONTR.	1	
12	544 98 18-01	WIRE ASSY	1	
13	504 56 93-01	KNOB	1	
14	725 24 75-51	SCREW	1	
15	544 95 69-02	LEVER	1	Incl. 16 - 26
16	729 53 42-01	SCREW	8	
17	544 91 53-01	KNOB	1	
18	544 91 54-01	KNOB	1	
19	544 91 55-01	COVER	1	
20	544 95 70-01	LEVER	1	
21	721 85 14-01	CLEVIS PIN	2	
22	721 43 08-01	PIN	1	
23	544 98 25-01	SPRING	1	
24	544 95 71-01	ROD	1	
25	721 61 82-01	LOCKING PIN	2	
26	502 30 42-01	PLATE	1	

B KV960



Page B
KV960

Pos.	Part No.	Description	Quantity	Notes
1	725 53 68-01	SCREW	3	
2	501 32 12-01	WASHER	2	
3	504 18 55-01	WHEEL	2	
4	544 91 94-01	SHAFT	1	
5	504 73 53-02	FRAME	1	Incl. 6 - 15
6	544 91 99-01	SHEET	1	
7	544 96 26-01	SPACING SLEEVE	1	
8	725 53 70-01	SCREW	2	
9	725 24 49-71	SCREW	2	
10	505 45 61-01	SCREW	1	
11	504 56 93-01	KNOB	1	
12	725 24 51-71	SCREW	2	
13	734 11 65-41	WASHER	2	
14	501 32 13-01	BRACKET	1	
15	502 46 51-01	O-RING	2	
16	544 92 39-02	ROD	1	
17	506 49 70-02	FRAME TUBE	1	Incl. 1, 18 - 26
18	725 24 49-71	SCREW	1	
19	504 58 11-01	WASHER	1	
20	501 01 96-01	O-RING	2	
21	504 58 10-01	CUP SPRING	2	
22	506 49 73-01	PLATE	1	
23	543 04 59-54	WHEEL	1	
24	506 49 75-01	FRAME TUBE	1	
25	501 01 98-01	SPRING PIN	1	
26	544 92 27-01	COVER LID	1	



Page C
KV960

Pos.	Part No.	Description	Quantity	Notes
1	504 73 54-02	HOLDER ASSY	1	Incl. 2 - 26
2	504 56 93-01	TURNING KNOB	2	
3	505 45 14-01	SCREW	1	
4	725 23 25-71	SCREW	4	
5	504 72 76-01	LOCKING PLATE	1	
6	504 73 57-01	SPRING	1	
7	501 02 02-01	SHAFT	1	
8	504 72 75-01	LOCKING LEVER	1	
9	504 72 87-01	SHAFT	1	
10	504 72 85-01	SHAFT	1	
11	504 72 83-01	LEVER	1	
12	544 98 27-01	NUT	1	
13	544 92 55-01	SPACING SLEEVE	1	
14	737 38 14-01	CUP SPRING	2	
15	504 72 89-01	POINTER	1	
16	505 45 60-01	SPRING	1	
17	504 72 68-01	HOLDER	1	
18	544 96 29-01	SHACKLE	1	
19	731 23 18-01	NUT	1	
20	504 72 92-01	SHEET	1	
21	732 25 14-01	LOCK NUT	2	
22	504 72 91-01	HOLDER	1	
23	732 25 16-01	NUT	3	
24	734 11 52-01	WASHER	6	
25	725 23 76-71	SCREW	3	
26	504 72 94-01	FENDER	1	
27	502 62 16-02	WATER TANK ASSY	1	Incl. 28, 30 - 37
28	505 17 49-01	WATER TANK	1	Incl. 29
29	541 20 82-84	CAP	1	
30	504 12 50-17	ANTIVIBRATION ELEMENT	1	
31	506 30 94-01	KNOB	1	
32	721 42 56-26	SPRING PIN	1	
33	505 45 09-01	HOLDER	1	
34	506 30 92-01	NUT	1	
35	506 31 41-01	VALVE	1	
36	740 48 12-04	O-RING	1	
37	504 54 58-01	STICKER	1	
38	506 31 42-02	HOSE	1	
39	725 24 57-71	SCREW	1	