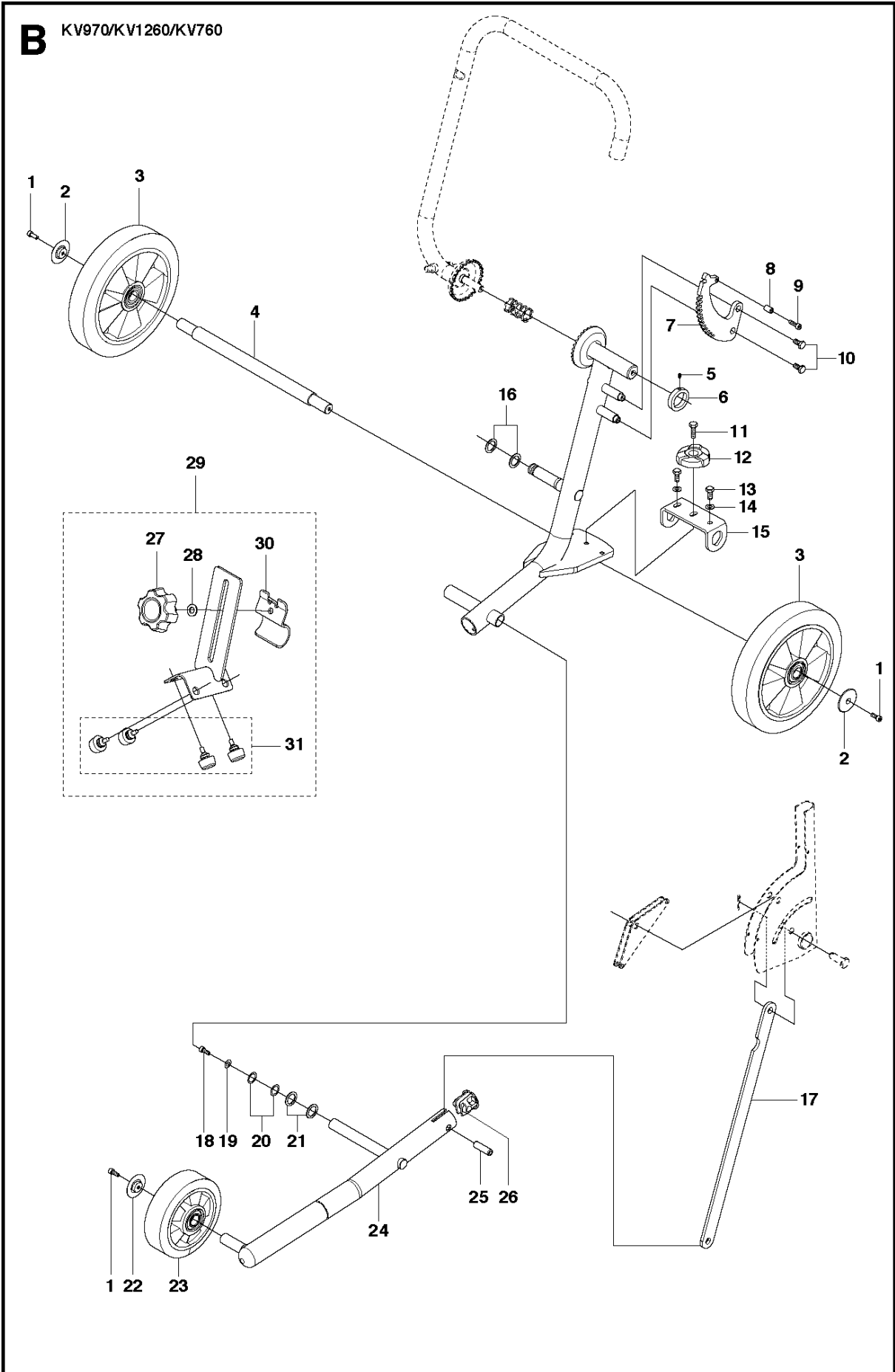




SPARE PARTS LIST

POWER CUTTERS

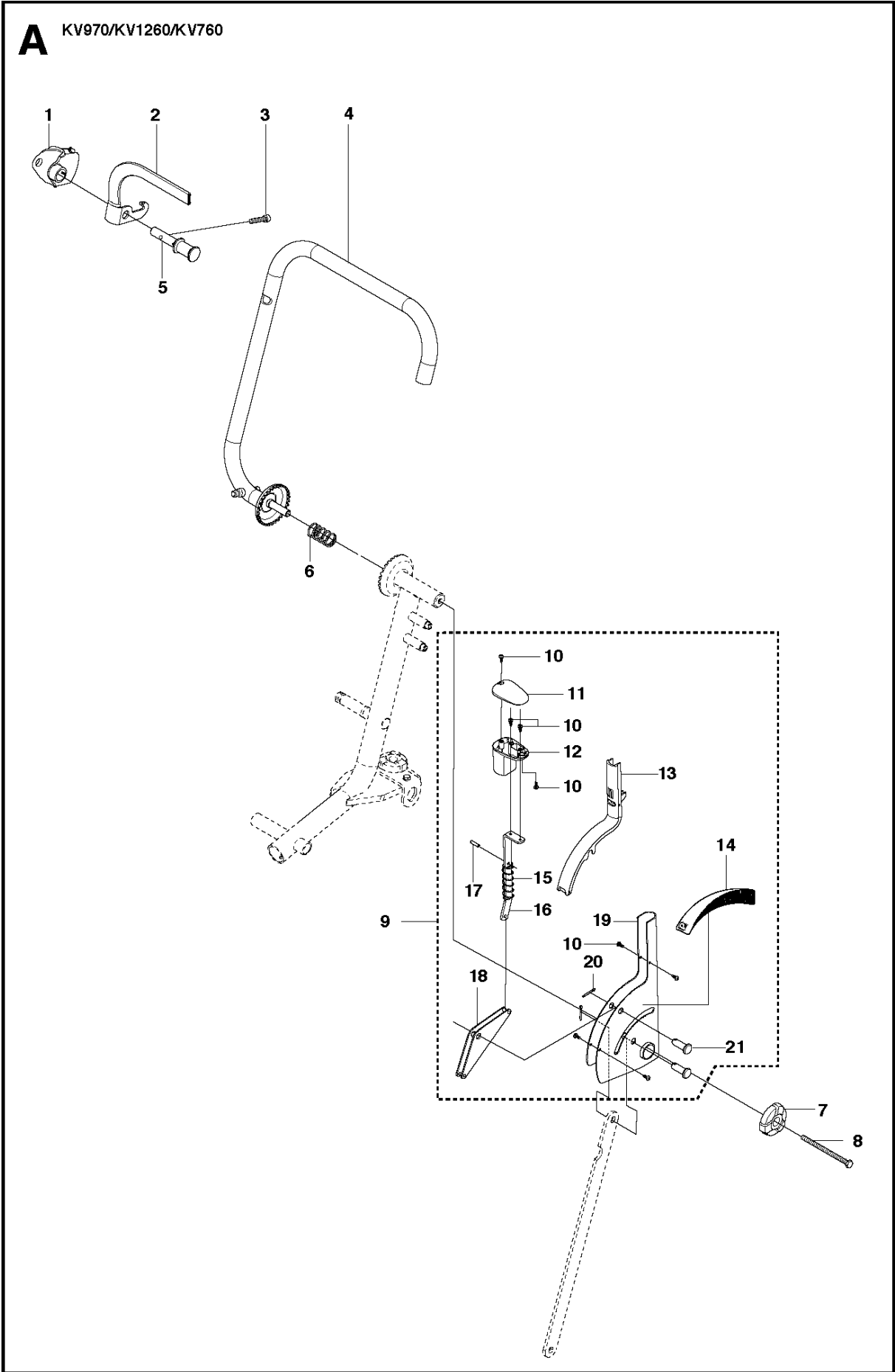
KV 1260, 2015-06



FRAME

KV 1260, 2015-06

Ref	Part No	Description	Remark	QTY	KIT
1	725 53 68-01	SCREW IHSCM		3	
2	501 32 12-01	WASHER		2	
3	504 18 55-01	WHEEL		2	
4	544 91 94-01	SHAFT		1	
5	542 13 97-69	SCREW		1	
6	504 59 57-01	STOP WASHER		1	
7	544 91 99-01	SHEET		1	
8	544 96 26-01	SPACING SLEEVE		1	
9	725 53 70-01	SCREW IHSCM		1	
10	503 20 00-45	SCREW EHHFM		2	
11	505 45 61-01	SCREW		1	
12	504 56 93-01	TURNING KNOB		1	
13	503 20 00-45	SCREW EHHFM		2	
14	734 11 65-41	WASHER		2	
15	501 32 13-01	BRACKET		1	
16	502 46 51-01	O-RING		2	
17	544 92 39-02	ROD		1	
18	503 20 00-45	SCREW EHHFM		1	
19	504 58 11-01	WASHER		1	
20	501 01 96-01	O-RING		2	
21	504 58 10-01	CUP		2	
22	506 49 73-01	PLATE		1	
23	543 04 59-54	WHEEL		1	
24	575 33 20-01	FRAME		1	
25	501 01 98-01	SPRING PIN		1	
26	544 92 27-01	COVER LID		1	
27	574 85 09-02	KNOB		1	29
28	734 11 63-01	WASHER		1	29
29	506 30 66-01	RETAINER		1	
30	506 30 70-01	CLAMP		1	29
31	582 29 40-01	BUFFER	Qty in package: 4 pieces	1	29

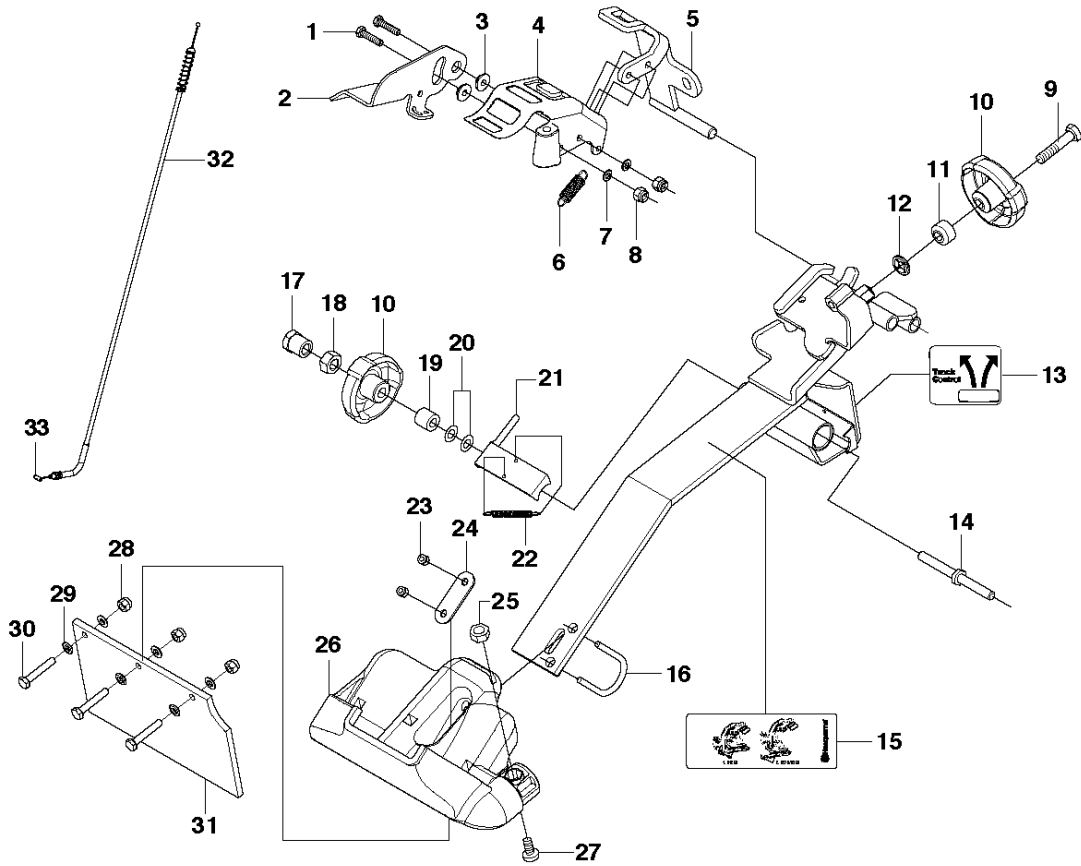


HANDLE & CONTROLS

KV 1260, 2015-06

Ref	Part No	Description	Remark	QTY	KIT
1	544 91 97-01	COVER		1	
2	544 95 37-01	THROTTLE HANDLE ASSY		1	
3	725 54 59-01	SCREW IHSCM		1	
4	544 95 36-01	HANDLE		1	
5	544 92 11-01	SHAFT		1	
6	544 98 16-01	SPRING THROTTLE CONTROL		1	
7	504 56 93-01	TURNING KNOB		1	
8	725 24 75-51	SCREW EHHM		1	
9	544 95 69-02	LEVER		1	
10	729 53 42-01	SCREW CRPANT		8	9
11	544 91 53-01	KNOB		1	9
12	544 91 54-01	KNOB		1	9
13	544 91 55-01	COVER		1	9
14	504 54 56-01	STICKER		1	9
15	544 98 25-01	SPRING		1	9
16	544 95 71-01	ROD		1	9
17	721 43 08-01	SPRING PIN		1	9
18	502 30 42-01	PLATE		1	9
19	544 95 70-01	LEVER		1	9
20	721 61 82-01	LOCKING PIN		2	9
21	721 85 14-01	CLEVIS PIN		2	9

C1 KV970/KV1260

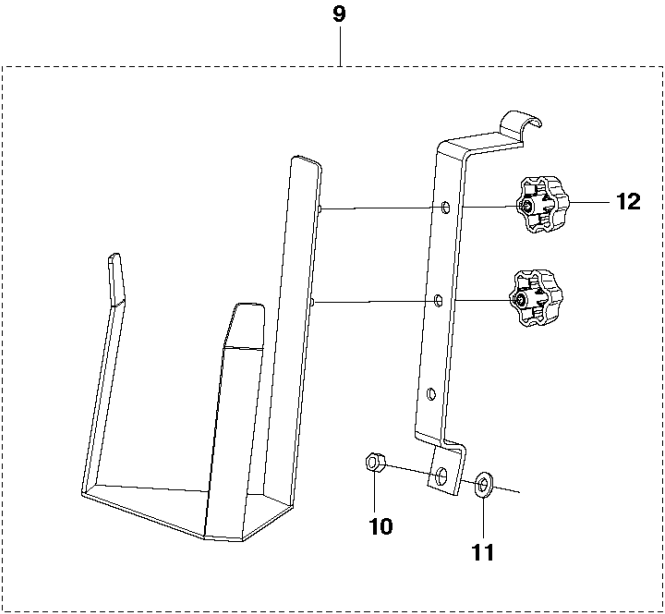
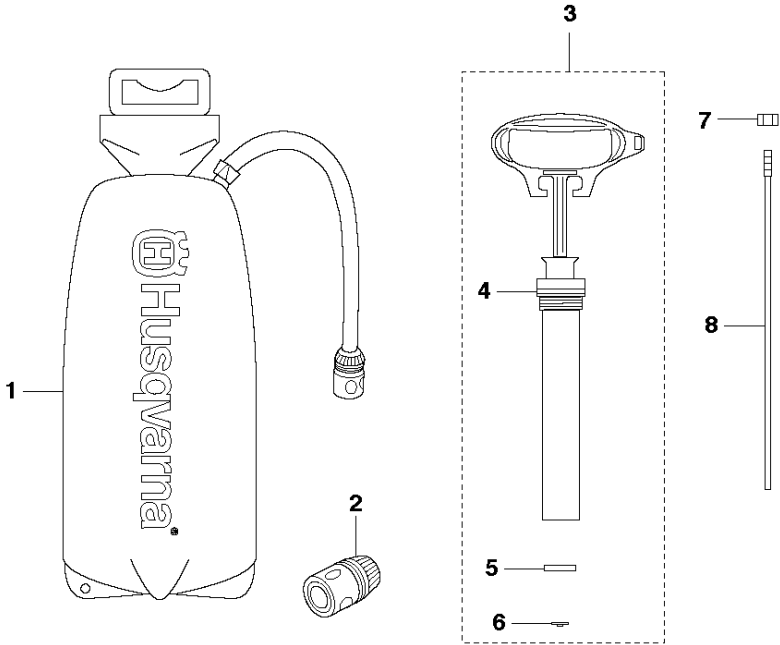


HOLDER ASSY

KV 1260, 2015-06

Ref	Part No	Description	Remark	QTY KIT
1	725 23 31-71	SCREW EHHM		2
2	574 33 44-01	LEVER		2
3	574 87 45-01	SLEEVE		2
4	574 33 47-01	RETAINER		2
5	574 33 41-01	LOCKING LEVER		2
6	506 10 83-02	SPRING		2
7	734 11 46-01	WASHER		2
8	732 25 14-01	HEXAGON LOCKING NUT		2
9	725 24 63-51	SCREW EHHM		2
10	504 56 93-01	TURNING KNOB		2
11	574 66 77-01	WASHER		1
12	735 58 52-09	WASHER		1
13	504 54 57-01	STICKER		1
14	501 02 02-01	SHAFT		1
15	576 02 81-01	DECAL		1
16	544 96 29-01	SHACKLE		1
17	544 98 27-01	NUT		1
18	731 23 18-01	HEXAGON NUT		1
19	544 92 55-01	SPACING SLEEVE		1
20	737 38 14-01	SPRING		2
21	510 14 23-01	POINTER		1
22	505 45 60-01	SPRING		1
23	732 25 14-01	HEXAGON LOCKING NUT		2
24	504 72 92-01	SHEET		1
25	731 23 18-01	HEXAGON NUT		1
26	504 72 91-01	HOLDER		1
27	725 24 57-71	SCREW EHHM		1
28	732 25 16-01	HEXAGON LOCKING NUT		3
29	734 11 52-01	WASHER		6
30	725 23 76-71	SCREW EHHM		3
31	504 72 94-01	FENDER		1
32	576 21 13-01	WIRE		1
33	576 12 64-01	NIPPLE		1

D1 KV970/KV1260/KV760



WATER TANK

KV 1260, 2015-06

Ref	Part No	Description	Remark	QTY	KIT
1	506 32 63-02	TANK		1	
2	503 26 60-04	COUPLER		1	
3	531 03 10-05	PUMP		1	
4	506 20 15-03	GASKET		1	3
5	506 20 15-01	GASKET		1	3
6	506 20 15-02	VALVE		1	3
7	506 20 15-06	NUT		1	
8	506 20 15-05	HOSE		1	
9	587 78 13-01	KIT		1	
10	731 71 22-51	HEXAGON NUT FLANGE		1	9
11	587 76 42-01	WASHER		1	9
12	574 85 09-02	KNOB		2	9