

KV970

KV1260

Reservdelar

Spare parts

Ersatzteile

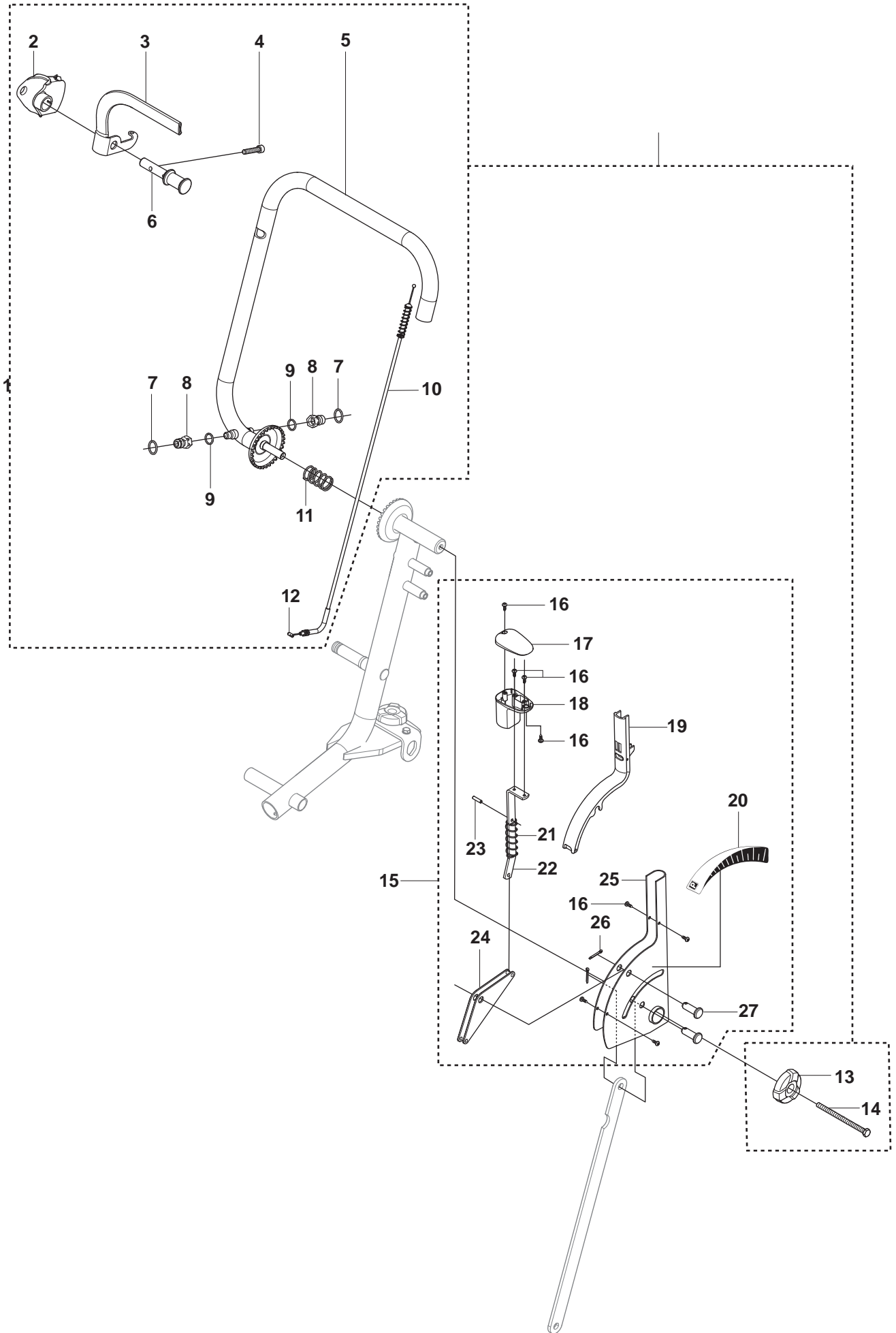
Pieces de rechange

Piezas de repuesto

Ricambi

Peças sobresselente

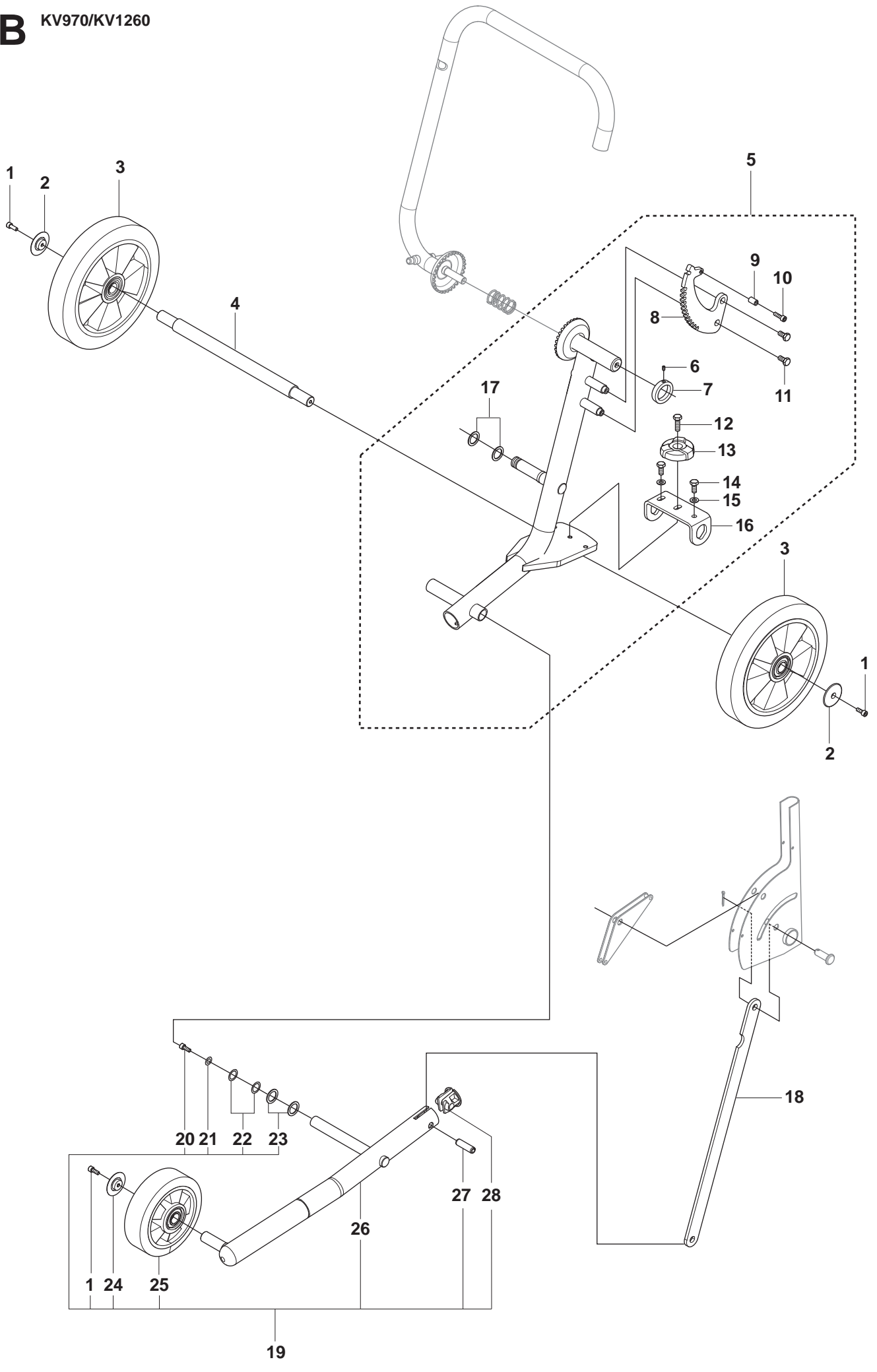
A KV970/KV1260



Page A
KV970/KV1260

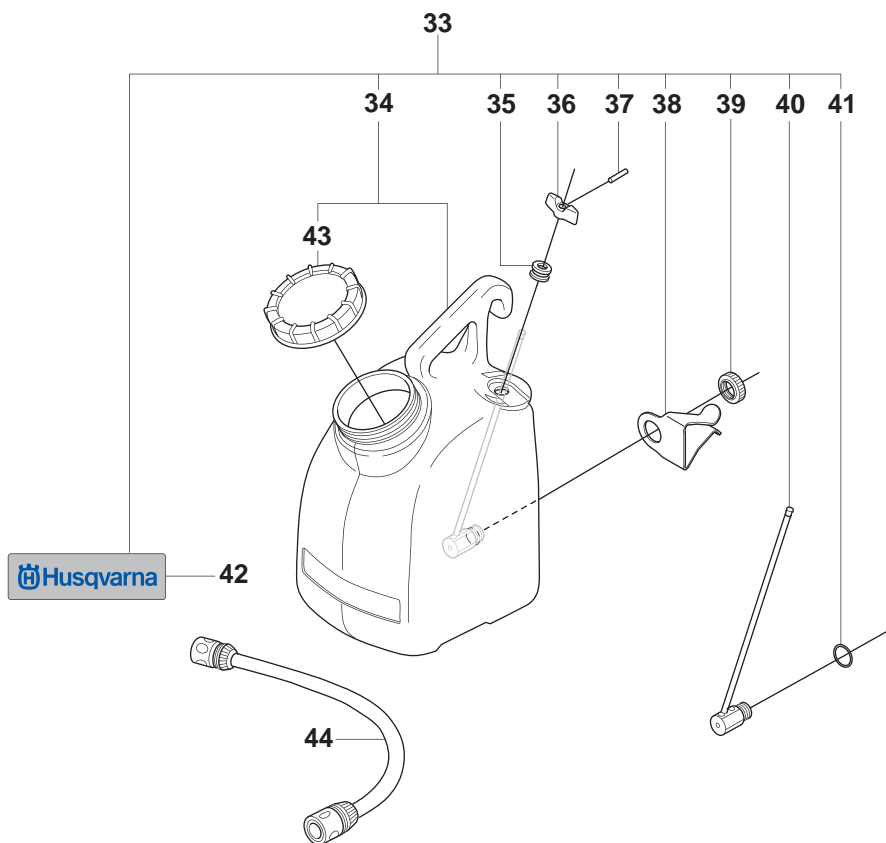
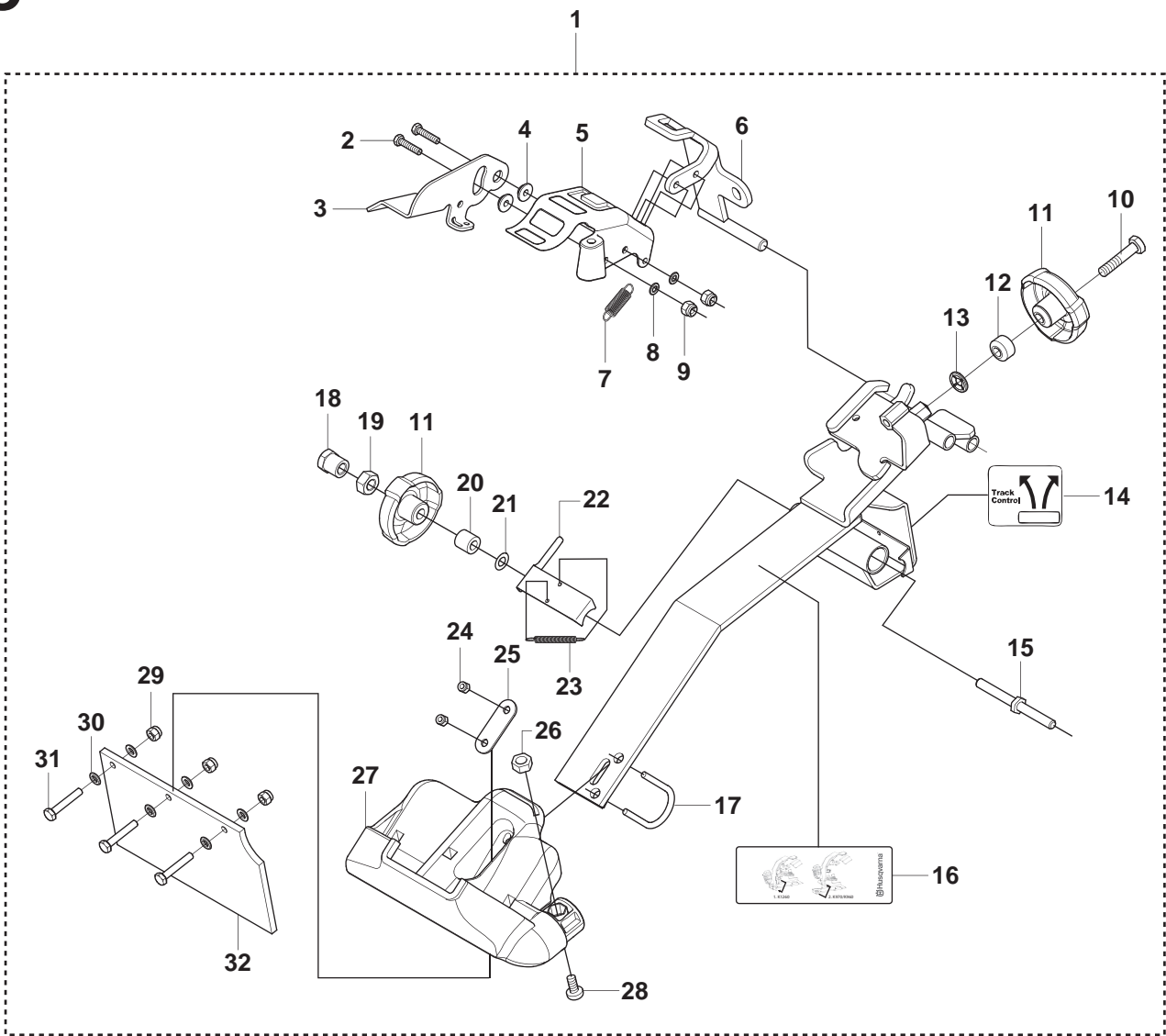
Pos.	Part No.	Description	Quantity	Notes	New Part
1	544 95 35-04	ASSEMBLY KIT HANDLE	1	Incl. 2 - 14	
2	544 91 97-01	COVER	1		
3	544 95 37-01	THROTTLE HANDLE ASSY	1		
4	725 54 59-01	SCREW	1		
5	544 95 36-01	HANDLE	1		
6	544 92 11-01	SHAFT	1		
7	502 46 51-01	O-RING	2		
8	506 30 87-01	COUPLER	2		
9	740 42 09-00	O-RING	2		
10	576 21 13-01	WIRE ASSY	1		New Part
11	544 98 16-01	SPRING THROTTLE CONTR.	1		
12	576 12 64-01	NIPPLE	1		New Part
13	504 56 93-01	KNOB	1		
14	725 24 75-51	SCREW	1		
15	544 95 69-02	LEVER	1	Incl. 16 - 27	
16	729 53 42-01	SCREW	8		
17	544 91 53-01	KNOB	1		
18	544 91 54-01	KNOB	1		
19	544 91 55-01	COVER	1		
20	504 54 56-01	STICKER	1		New Part
21	544 98 25-01	SPRING	1		
22	544 95 71-01	ROD	1		
23	721 43 08-01	PIN	1		
24	502 30 42-01	PLATE	1		
25	544 95 70-01	LEVER	1		
26	721 61 82-01	LOCKING PIN	2		
27	721 85 14-01	CLEVIS PIN	2		

B KV970/KV1260



Page B
KV970/KV1260

Pos.	Part No.	Description	Quantity	Notes	New Part
1	725 53 68-51	SCREW	3		New Part
2	501 32 12-01	WASHER	2		
3	504 18 55-01	WHEEL	2		
4	544 91 94-01	SHAFT	1		
5	504 73 53-02	FRAME	1	Incl. 6 - 17	
6	542 13 97-69	STOP SCREW	1		
7	504 59 57-01	WASHER	1		
8	544 91 99-01	SHEET	1		
9	544 96 26-01	SPACING SLEEVE	1		
10	725 53 70-01	SCREW	1		
11	725 24 49-71	SCREW	2		
12	505 45 61-01	SCREW	1		
13	504 56 93-01	KNOB	1		
14	725 24 51-71	SCREW	2		
15	734 11 65-41	WASHER	2		
16	501 32 13-01	BRACKET	1		
17	502 46 51-01	O-RING	2		
18	544 92 39-02	ROD	1		
19	575 33 23-01	FRAME TUBE	1	Incl. 1, 20 - 28	New Part
20	725 24 49-71	SCREW	1		
21	504 58 11-01	WASHER	1		
22	501 01 96-01	O-RING	2		
23	504 58 10-01	CUP SPRING	2		
24	506 49 73-01	PLATE	1		
25	543 04 59-54	WHEEL	1		
26	575 33 20-01	FRAME TUBE	1		New Part
27	501 01 98-01	SPRING PIN	1		
28	544 92 27-01	COVER LID	1		



Page C
KV970/KV1260

Pos.	Part No.	Description	Quantity	Notes	New Part
1	575 44 18-01	HOLDER ASSY	1	Incl. 2 - 32	New Part
2	725 23 31-71	SCREW	2		New Part
3	574 33 44-01	LEVER	1		New Part
4	574 87 45-01	SLEEVE	2		New Part
5	574 33 47-01	RETAINER	1		New Part
6	574 33 41-01	LOCKING LEVER	1		New Part
7	506 10 83-02	SPRING	1		New Part
8	734 11 46-01	WASHER	2		New Part
9	732 25 14-01	LOCK NUT	2		New Part
10	725 24 63-51	SCREW	1		New Part
11	504 56 93-01	TURNING KNOB	2		
12	574 66 77-01	WASHER	1		New Part
13	735 58 52-09	WASHER	1		New Part
14	504 54 57-01	STICKER	1		New Part
15	501 02 02-01	SHAFT	1		
16	576 02 81-01	DECAL	1		New Part
17	544 96 29-01	SHACKLE	1		
18	544 98 27-01	NUT	1		New Part
19	731 23 18-01	NUT	1		New Part
20	544 92 55-01	SPACING SLEEVE	1		
21	737 38 14-01	CUP SPRING	2		
22	510 14 23-01	POINTER	1		New Part
23	505 45 60-01	SPRING	1		New Part
24	732 25 14-01	LOCK NUT	2		
25	504 72 92-01	SHEET	1		
26	731 23 18-01	NUT	2		
27	504 72 91-01	HOLDER	1		
28	725 24 57-71	SCREW	1		
29	732 25 16-01	NUT	3		
30	734 11 52-01	WASHER	6		
31	725 23 76-71	SCREW	3		
32	504 72 94-01	FENDER	1		
33	502 62 16-02	WATER TANK ASSY	1	Incl. 34 - 42	
34	505 17 49-01	WATER TANK	1	Incl. 43	
35	504 12 50-17	ANTIVIBRATION ELEMENT	1		
36	506 30 94-01	KNOB	1		
37	721 42 56-26	SPRING PIN	1		
38	505 45 09-01	HOLDER	1		
39	506 30 92-01	NUT	1		
40	506 31 41-01	VALVE	1		
41	740 48 12-04	O-RING	1		
42	504 54 58-01	STICKER	1		
43	541 20 82-84	CAP	1		
44	506 31 42-02	HOSE	1		

D KV970/KV1260

