

## KV03

Reservdelar

Spare parts

Ersatzteile

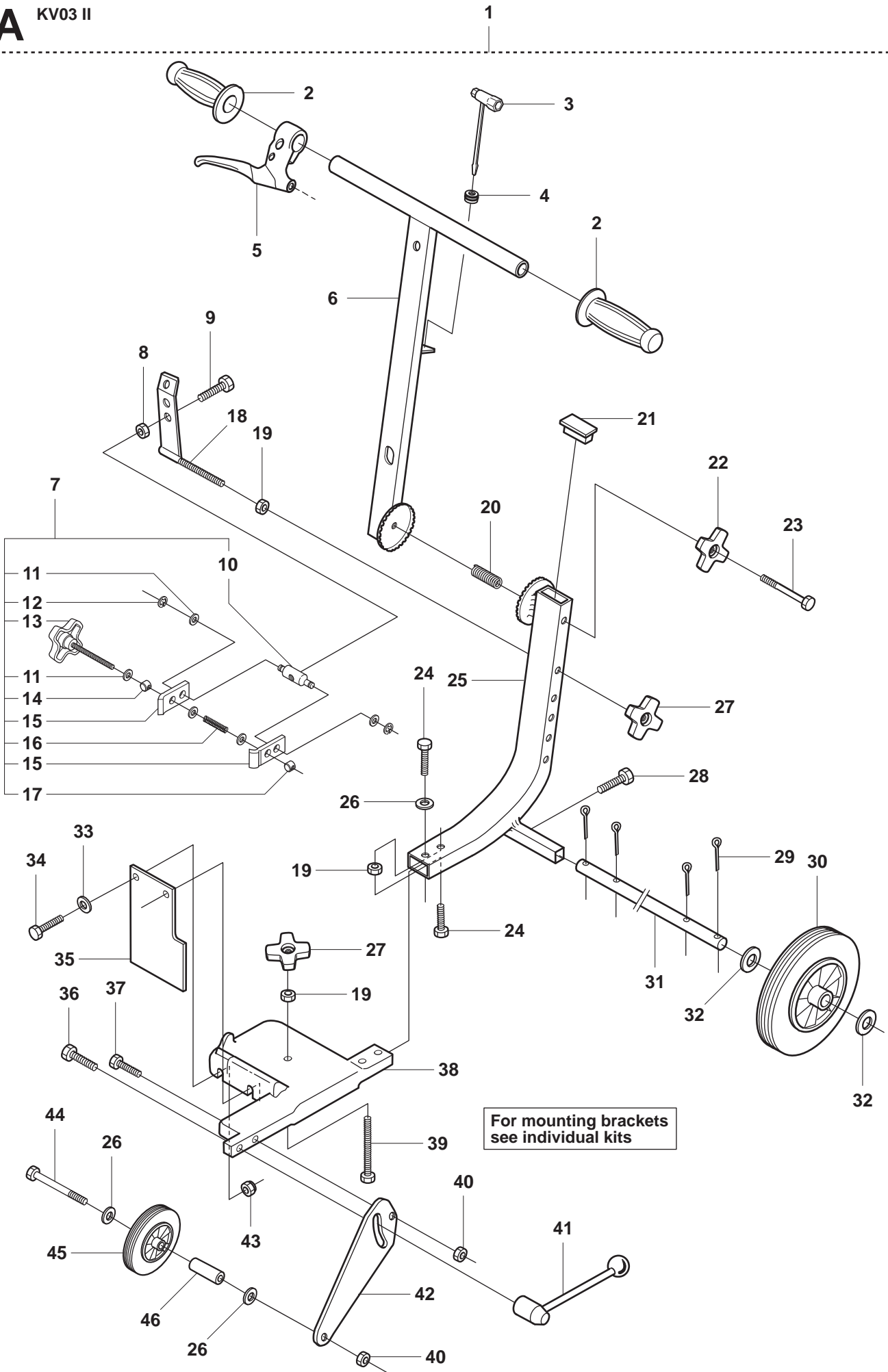
Pieces de rechange

Piezas de repuesto

Ricambi

Peças sobresselente

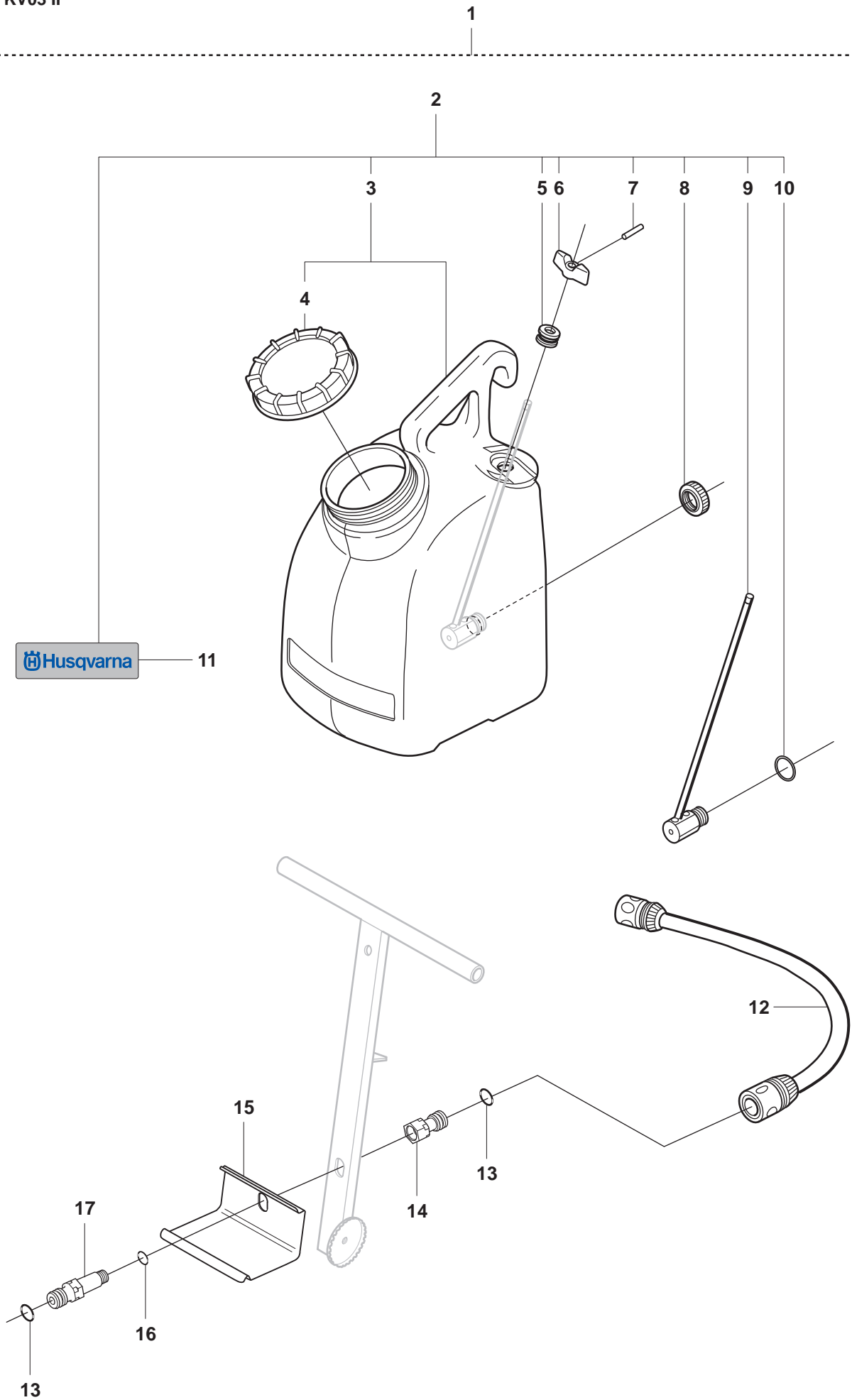
**A** KV03 II



For mounting brackets  
see individual kits

**Page A**  
**KV03 II**

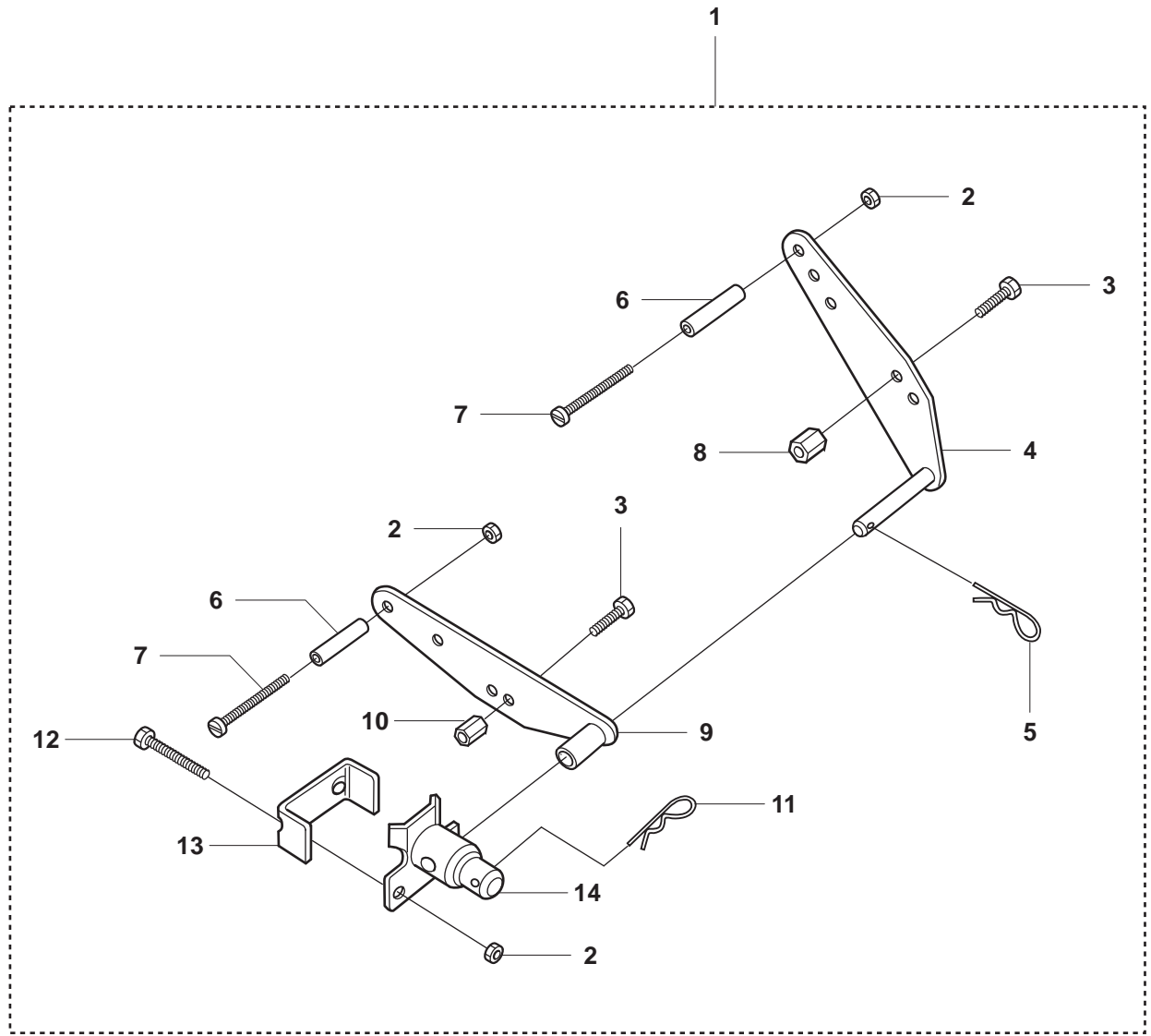
Pos.	Part No.	Description	Quantity	Notes
1	506 29 54-04	CUTTING TROLLEY	1	Incl. 2 - 46
2	506 22 21-01	HANDLE	2	
3	501 69 17-02	COMBINATION TOOL	1	
4	504 12 50-17	ANTIVIBE ELEMENT	1	
5	506 36 03-01	THROTTLE HANDLE	1	
6	506 35 99-01	HANDLE	1	
7	506 36 09-01	BRACKET	1	Incl. 10 - 17
8	731 23 20-51	MUTTER M10 FZ	1	
9	725 24 99-71	SCREW	1	
10	506 36 11-01	RETAINER	1	
11	734 11 52-01	WASHER	5	
12	735 31 09-20	WASHER	2	
13	506 36 14-01	STEERING WHEEL	1	
14	506 36 13-01	NUT	1	
15	506 36 10-01	HOOK	2	
16	506 36 15-01	COMPRESSION SPRING	1	
17	506 36 12-01	NUT	1	
18	506 30 51-02	BRACKET	1	
19	731 23 18-01	NUT	3	
20	506 36 00-01	COMPRESSION SPRING	1	
21	506 31 39-01	PLUG	1	
22	506 36 01-01	STEERING WHEEL	1	
23	725 24 75-51	SCREW	1	
24	725 24 55-71	SCREW	2	
25	506 35 98-01	FRAME TUBE	1	
26	734 11 65-41	WASHER	1	
27	506 31 95-01	STEERING WHEEL	2	
28	725 24 51-51	SCREW	1	
29	721 61 98-01	LOOP	4	
30	506 20 07-03	WHEEL	2	
31	506 20 52-01	SHAFT	1	
32	531 03 10-12	WASHER	2	
33	734 18 09-51	WASHER	2	
34	725 23 29-51	SCREW	2	
35	506 30 96-01	SPRAY GUARD	1	
36	725 25 40-71	SCREW	1	
37	725 24 59-51	SCREW	1	
38	506 36 02-01	WEIGHT	1	
39	725 24 65-71	SCREW	1	
40	732 21 18-01	LOCK NUT	2	
41	506 13 97-01	HANDLE	1	
42	506 30 47-01	LEVER	1	
43	503 22 65-04	NUT	2	
44	725 24 65-51	SCREW	1	
45	506 20 07-04	WHEEL	1	
46	506 13 66-02	SPACING SLEEVE	1	



**Page B**  
**KV03 II**

<b>Pos.</b>	<b>Part No.</b>	<b>Description</b>	<b>Quantity</b>	<b>Notes</b>
1	504 14 30-01	WATER TANK CPL.	1	Incl. 2 - 17
2	506 29 55-12	WATER TANK	1	Incl. 3 - 11
3	506 30 84-01	WATER TANK	1	Incl. 4
4	506 30 85-01	CAP	1	
5	504 12 50-17	ANTIVIBE ELEMENT	1	
6	506 30 94-01	KNOB	1	
7	720 12 71-52	PIN	1	
8	506 30 92-01	NUT	1	
9	506 31 41-01	VALVE	1	
10	740 48 12-04	O-RING	1	
11	506 30 20-02	LABEL	1	
12	506 31 42-01	HOSE	1	
13	740 48 03-03	O-RING	1	
14	506 30 87-01	COUPLER	1	
15	506 30 86-01	BRACKET	1	
16	740 42 09-00	O-RING	1	
17	506 30 88-01	COUPLER	1	

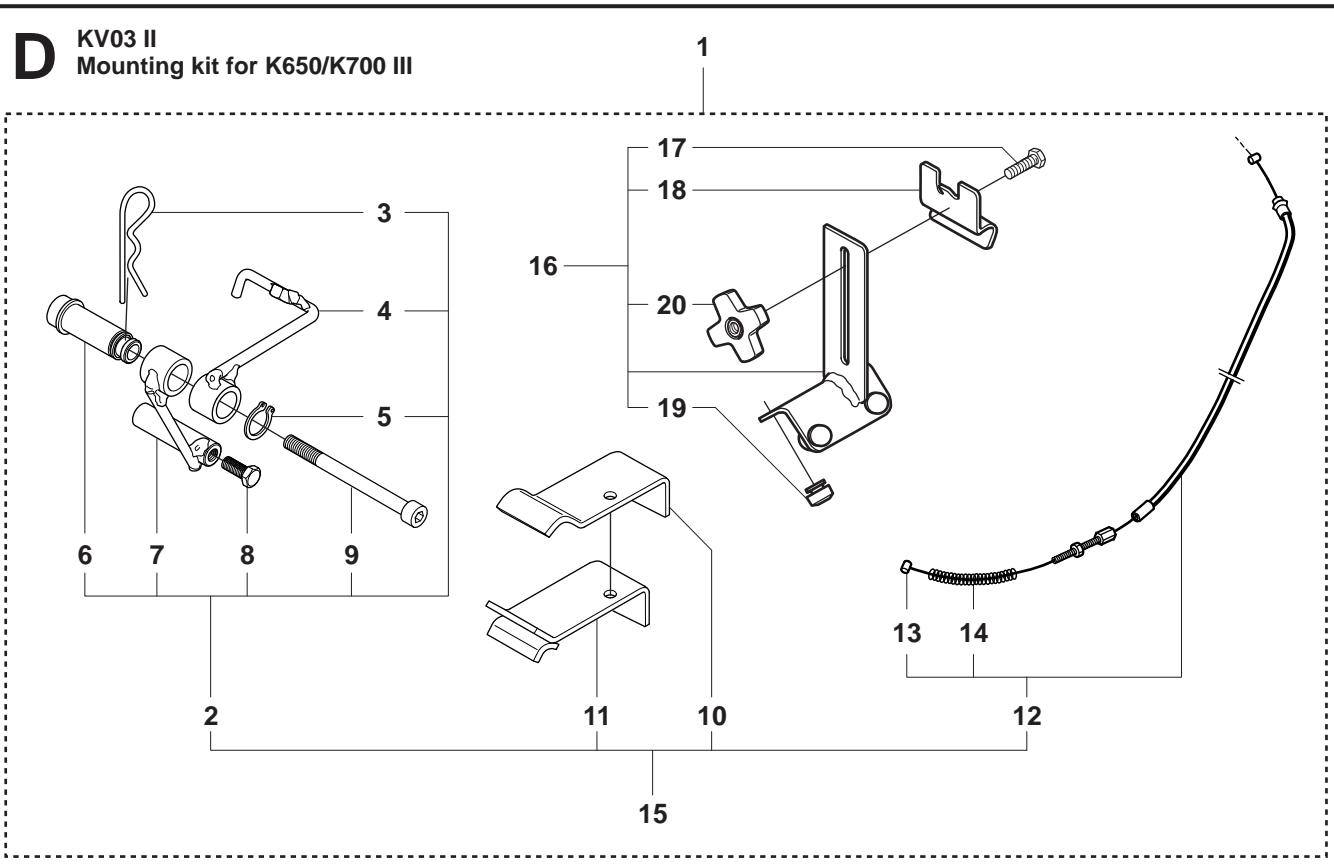
**C** KV03 II  
Mounting kit for K2500, K30, K40



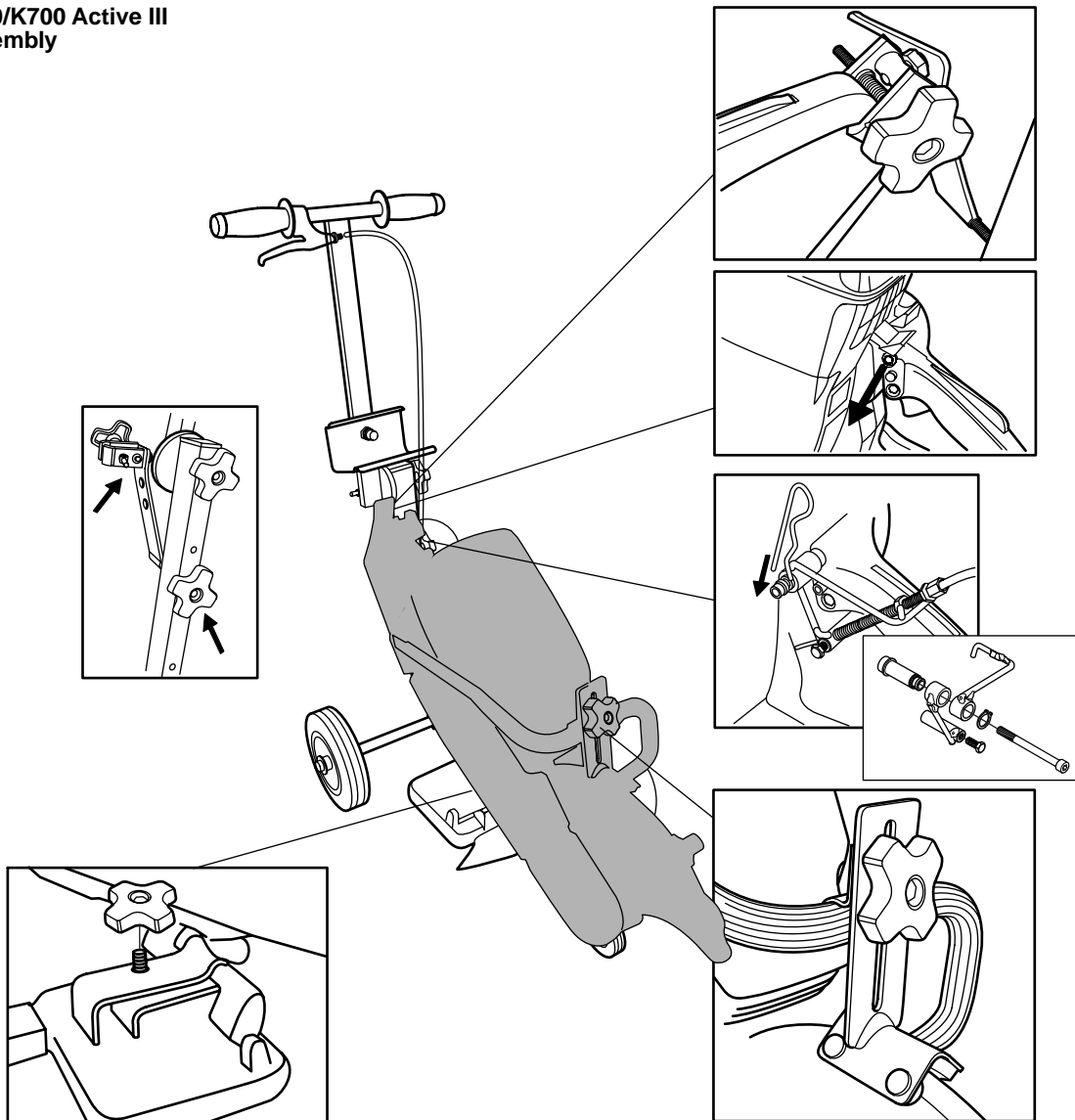
**Page C**  
**KV03 II**

<b>Pos.</b>	<b>Part No.</b>	<b>Description</b>	<b>Quantity</b>	<b>Notes</b>
1	506 36 19-01	THROTTLE	1	Incl. 2 - 14
2	731 23 14-01	NUT	3	
3	725 23 25-51	SCREW	2	
4	506 30 61-01	LOCKING ARM	1	
5	721 68 01-51	HAIR PIN COTTER	1	
6	506 30 65-01	SLEEVE	2	
7	723 11 34-51	SCREW	2	
8	506 30 64-01	BRACKET	1	
9	506 30 58-01	THROTTLE LEVER	1	
10	506 30 63-01	BRACKET	1	
11	721 68 02-51	HAIR PIN COTTER	1	
12	725 23 35-71	SCREW	1	
13	506 30 72-01	CLAMP	1	
14	506 30 73-01	BRACKET	1	

**D** KV03 II  
Mounting kit for K650/K700 III



**K650/K700 Active III  
Assembly**

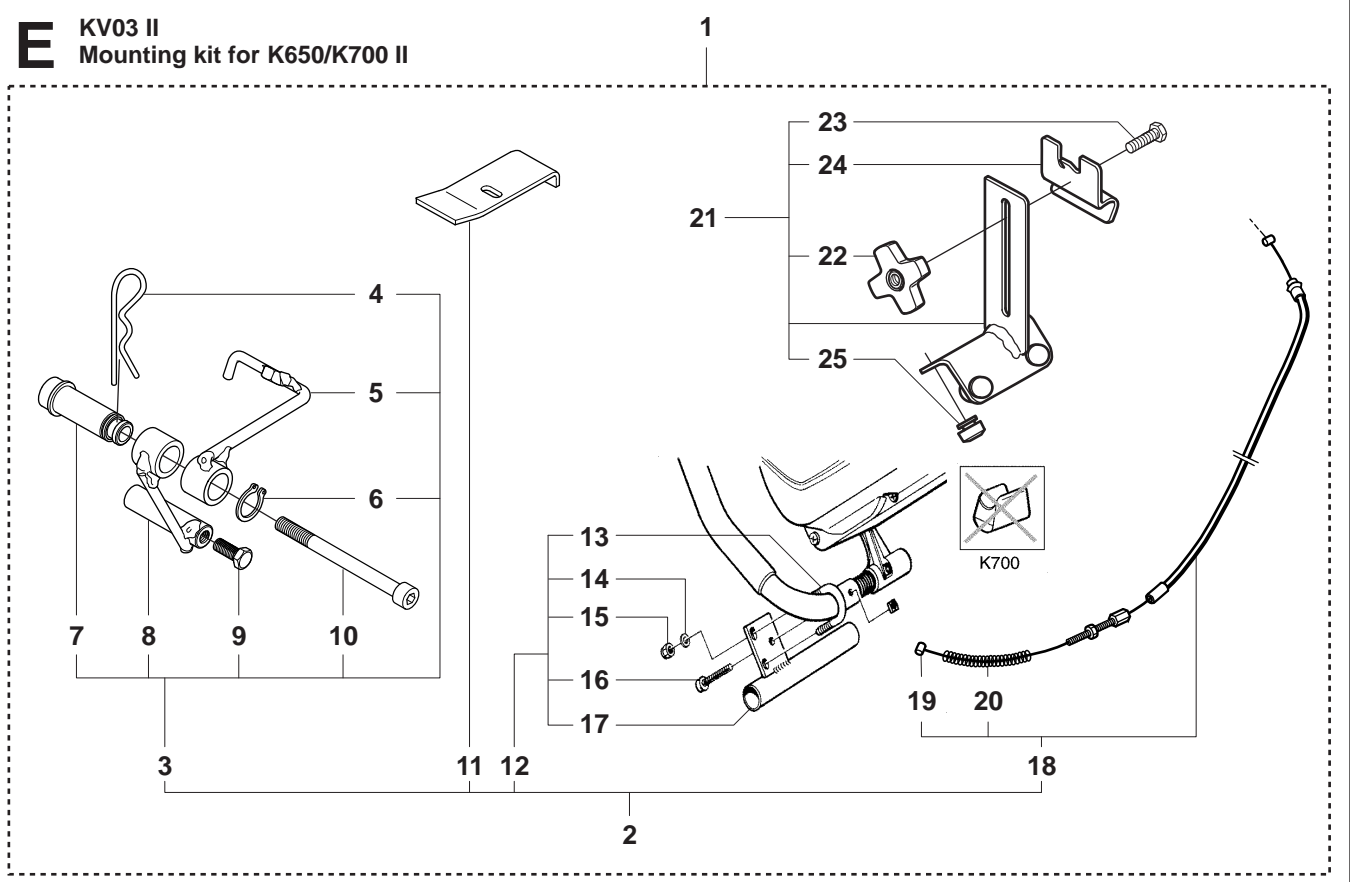




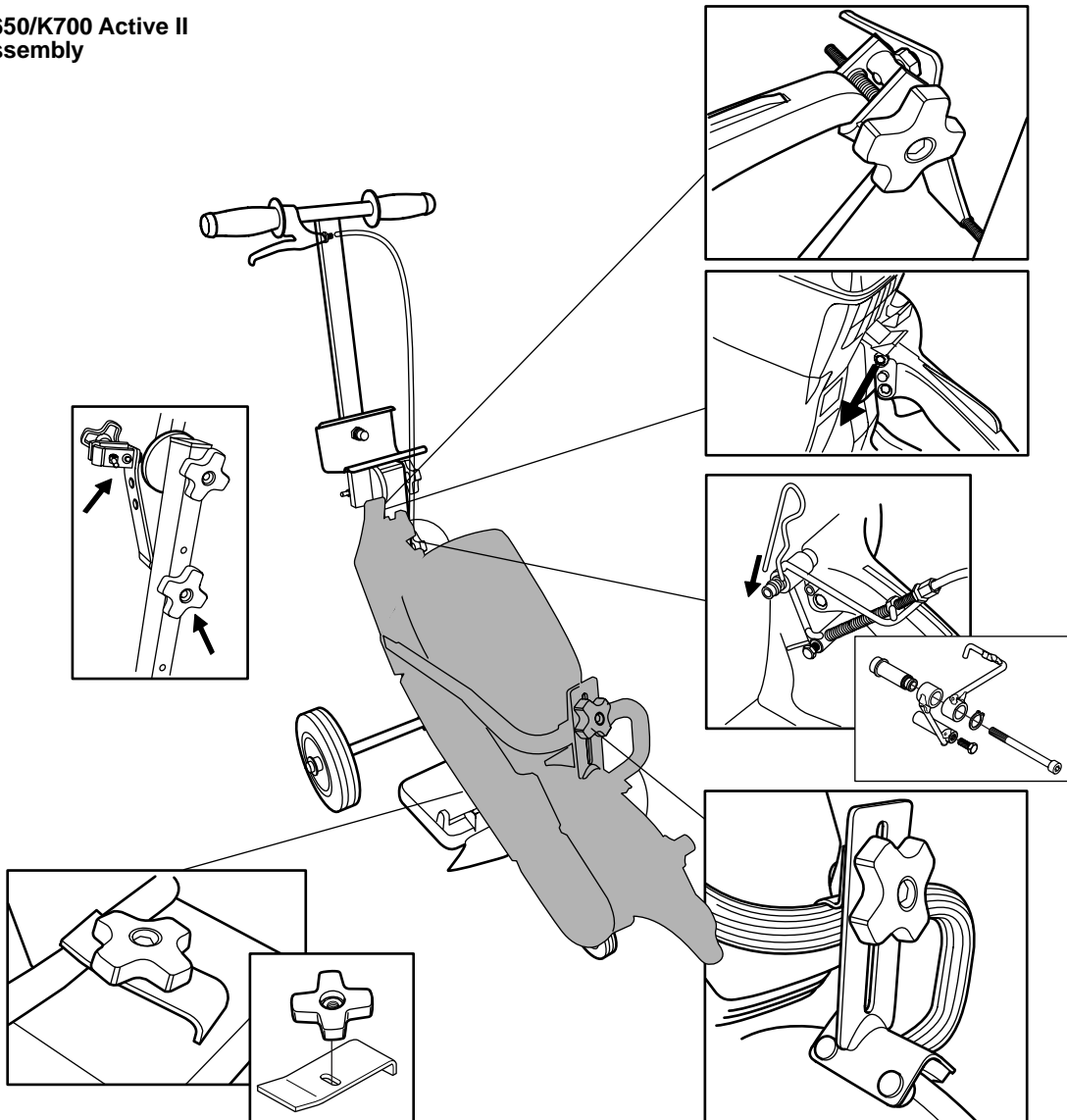
**Page D**  
**KV03 II**

<b>Pos.</b>	<b>Part No.</b>	<b>Description</b>	<b>Quantity</b>	<b>Notes</b>
1	504 11 17-01	ASSEMBLY KIT	1	Incl. 15, 16
2	506 36 75-01	KIT	1	Incl. 3 - 9
3	721 68 01-51	HAIR PIN COTTER	1	
4	506 36 31-01	LEVER	1	
5	735 31 13-00	RETAINING RING	1	
6	506 36 33-01	SHAFT	1	
7	506 36 32-01	LEVER	1	
8	725 23 29-51	SCREW	1	
9	725 53 45-01	SCREW	1	
10	506 36 34-01	PRESSURE PLATE	1	
11	506 36 30-01	BASE PLATE	1	
12	506 36 16-01	THROTTLE WIRE	1	Incl. 13, 14
13	506 10 88-01	CABLE RETAINER	1	
14	506 20 55-02	COMPRESSION SPRING	1	
15	506 36 59-01	KIT	1	Incl. 2, 10, 11, 12
16	506 30 66-01	RETAINER	1	Incl. 17, 18, 19, 20
17	725 24 51-51	SCREW	1	
18	506 30 70-01	CLAMP	1	
19	503 47 16-01	BUFFER	4	
20	506 31 95-01	STEERING WHEEL	1	

**E** KV03 II  
Mounting kit for K650/K700 II



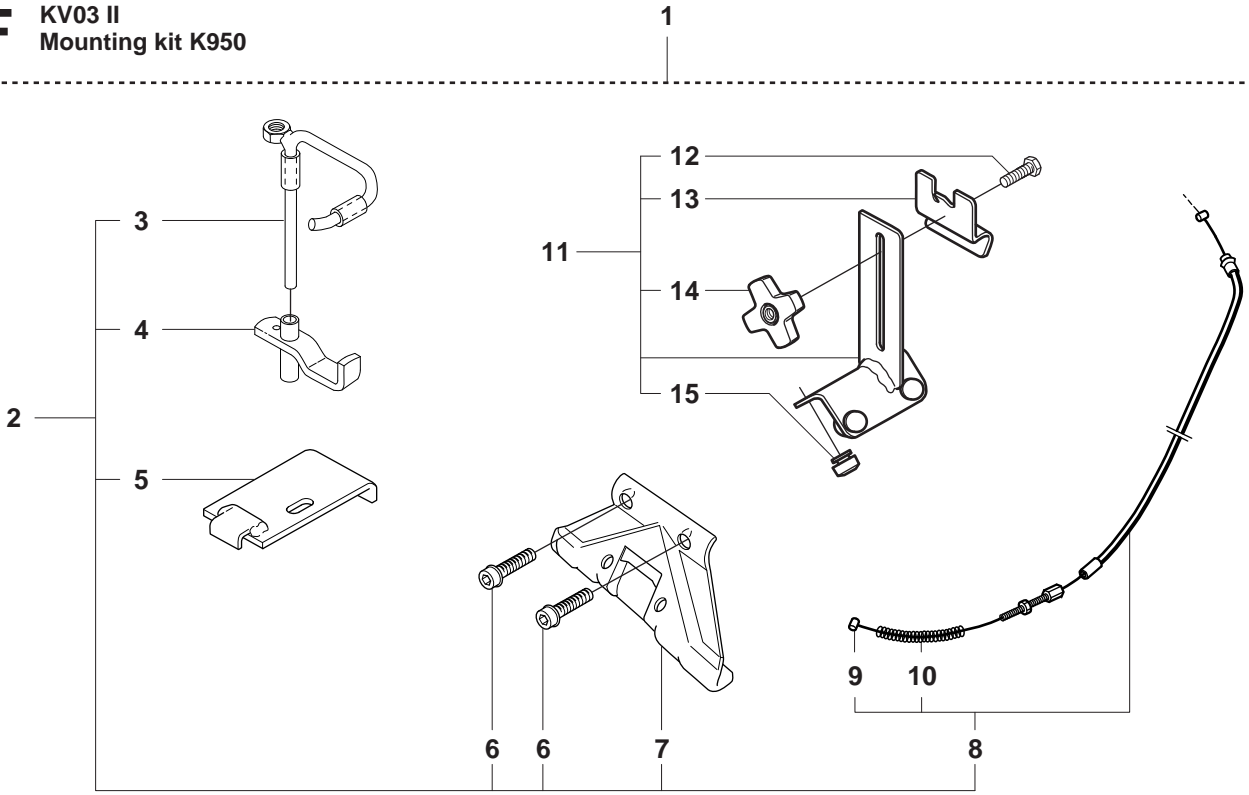
**K650/K700 Active II  
Assembly**



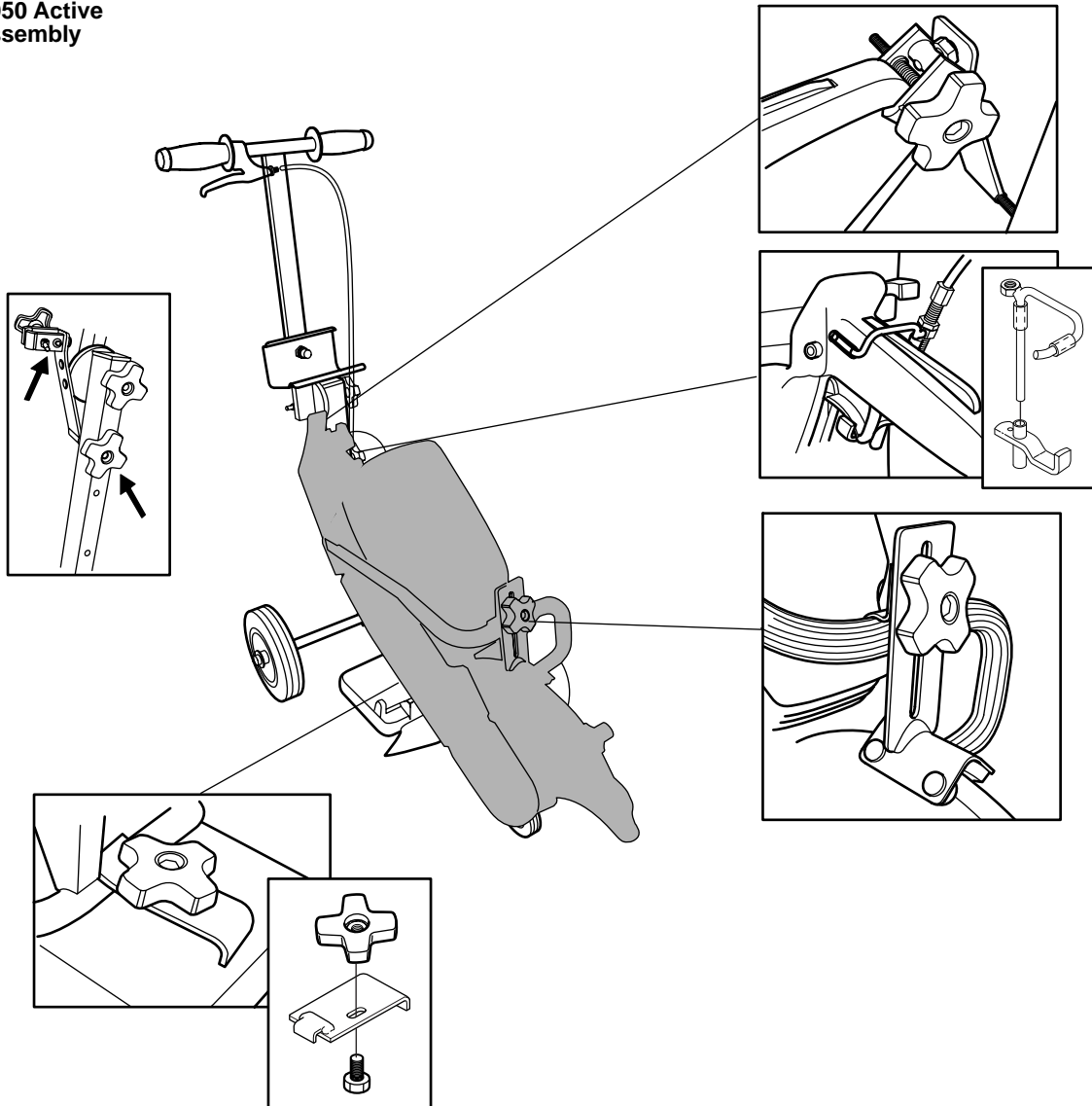
**Page E**  
**KV03 II**

<b>Pos.</b>	<b>Part No.</b>	<b>Description</b>	<b>Quantity</b>	<b>Notes</b>
1	504 11 17-02	ASSEMBLY KIT	1	Incl. 2, 21
2	506 36 60-01	KIT	1	Incl. 3, 11, 12, 18
3	506 36 75-01	KIT	1	Incl. 4 - 10
4	721 68 01-51	HAIR PIN COTTER	1	
5	506 36 31-01	LEVER	1	
6	735 31 13-00	RETAINING RING	1	
7	506 36 33-01	SHAFT	1	
8	506 36 32-01	LEVER	1	
9	725 23 29-51	SCREW	1	
10	725 53 45-01	SCREW	1	
11	506 30 76-01	PRESSURE PLATE	1	
12	506 30 01-01	KIT	1	Incl. 13 - 17
13	506 31 47-01	CLIP	1	
14	734 11 53-01	WASHER	2	
15	731 23 16-01	NUT	2	
16	503 20 02-35	SCREW	1	
17	506 31 58-01	BRACKET ASSY	1	
18	506 36 16-01	THROTTLE WIRE	1	Incl. 19, 20
19	506 10 88-01	CABLE RETAINER	1	
20	506 20 55-02	COMPRESSION SPRING	1	
21	506 30 66-01	RETAINER	1	Incl. 22 - 25
22	506 31 95-01	STEERING WHEEL	1	
23	725 24 51-51	SCREW	1	
24	506 30 70-01	CLAMP	1	
25	503 47 16-01	BUFFER	4	

**F** KV03 II  
Mounting kit K950



**K950 Active  
Assembly**



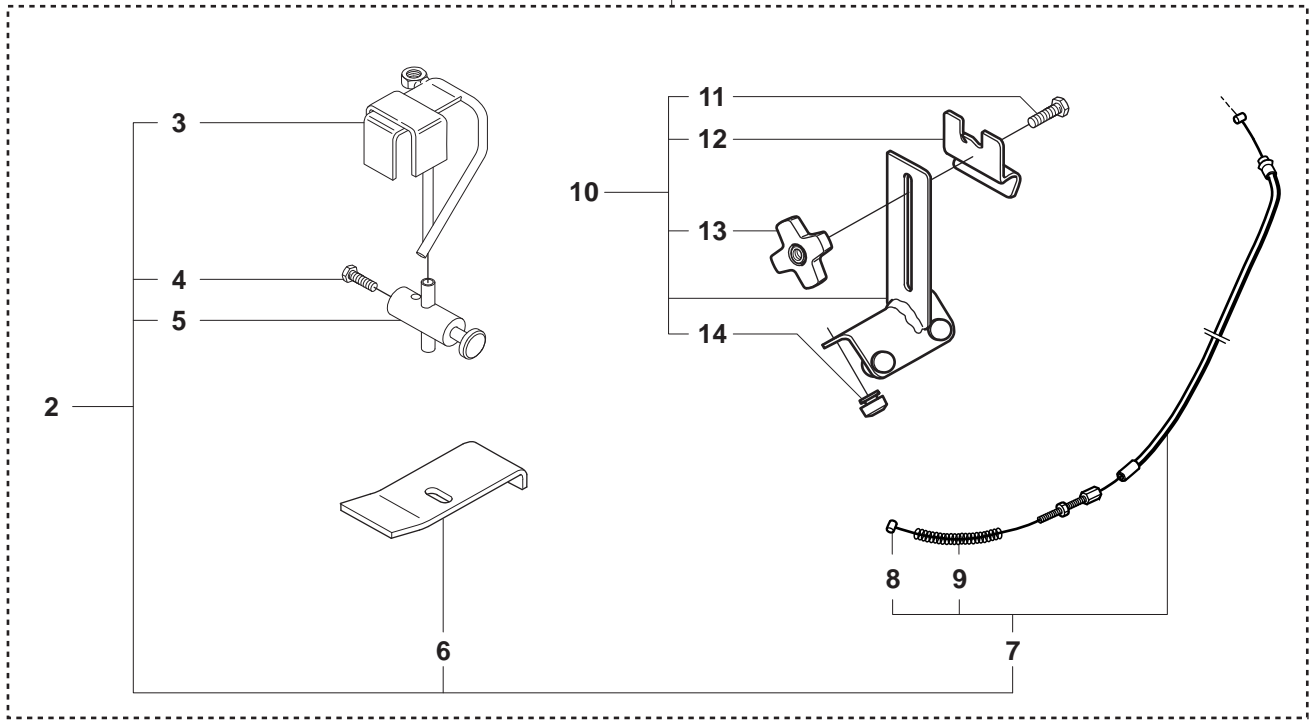
**Page F**  
**KV03 II**

<b>Pos.</b>	<b>Part No.</b>	<b>Description</b>	<b>Quantity</b>	<b>Notes</b>
1	504 11 17-03	ASSEMBLY KIT	1	Incl. 2, 11
2	506 36 57-01	KIT	1	Incl. 3 - 8
3	506 36 06-01	CLAMP	1	
4	506 36 07-01	LEVER	1	
5	506 30 77-01	PRESSURE PLATE	1	
6	503 21 05-45	SCREW	2	
7	506 29 45-01	GROUND SUPPORT	1	12" Tools is needed (not included)
8	506 36 16-01	THROTTLE WIRE	1	Incl. 9, 10
9	506 10 88-01	CABLE RETAINER	1	
10	506 20 55-02	COMPRESSION SPRING	1	
11	506 30 66-01	RETAINER	1	Incl. 12 - 15
12	725 24 51-51	SCREW	1	
13	506 30 70-01	CLAMP	1	
14	506 31 95-01	STEERING WHEEL	1	
15	503 47 16-01	BUFFER	4	

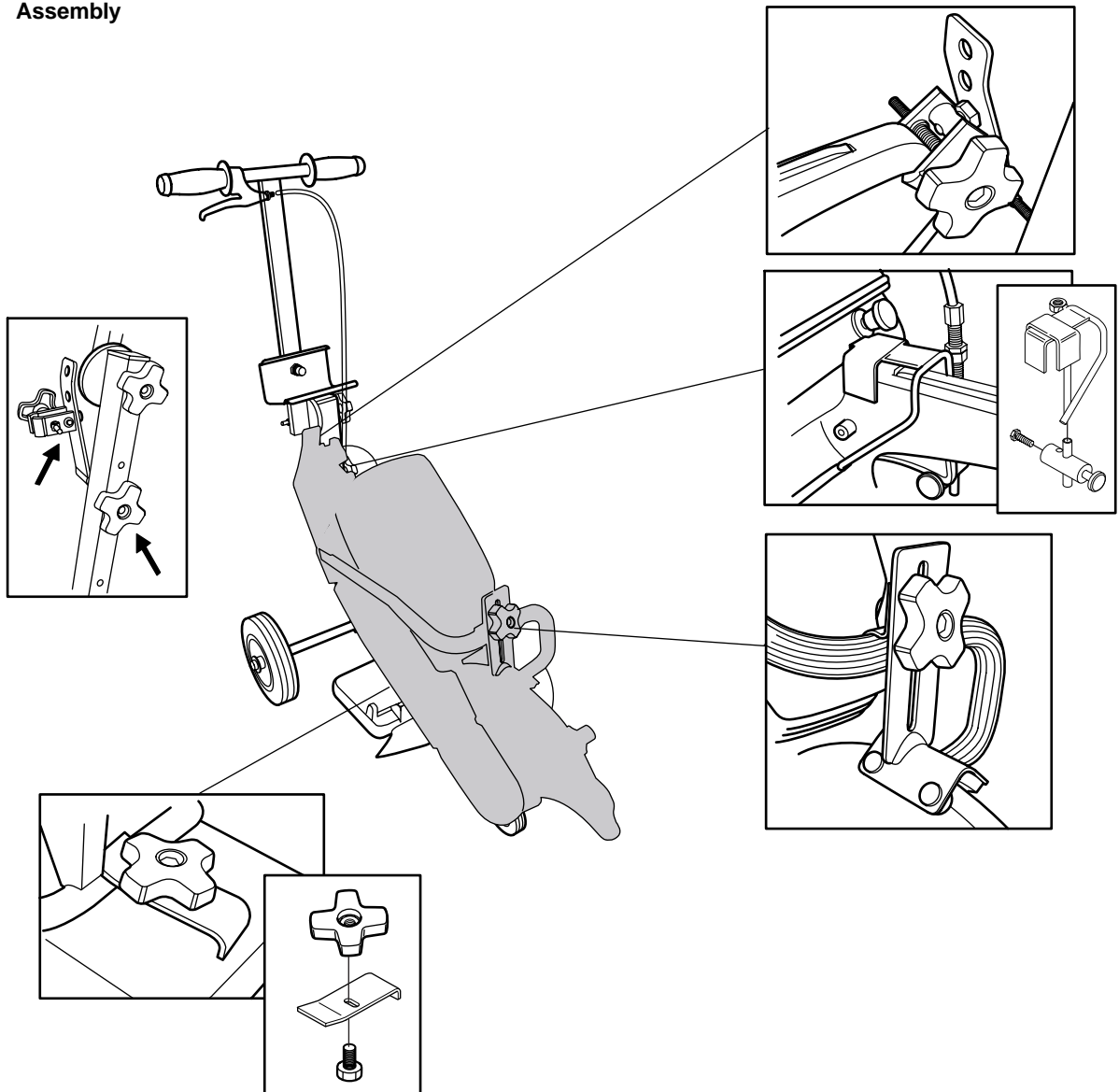


**KV03 II**  
**Mounting kit for K1250, 3120K**

1



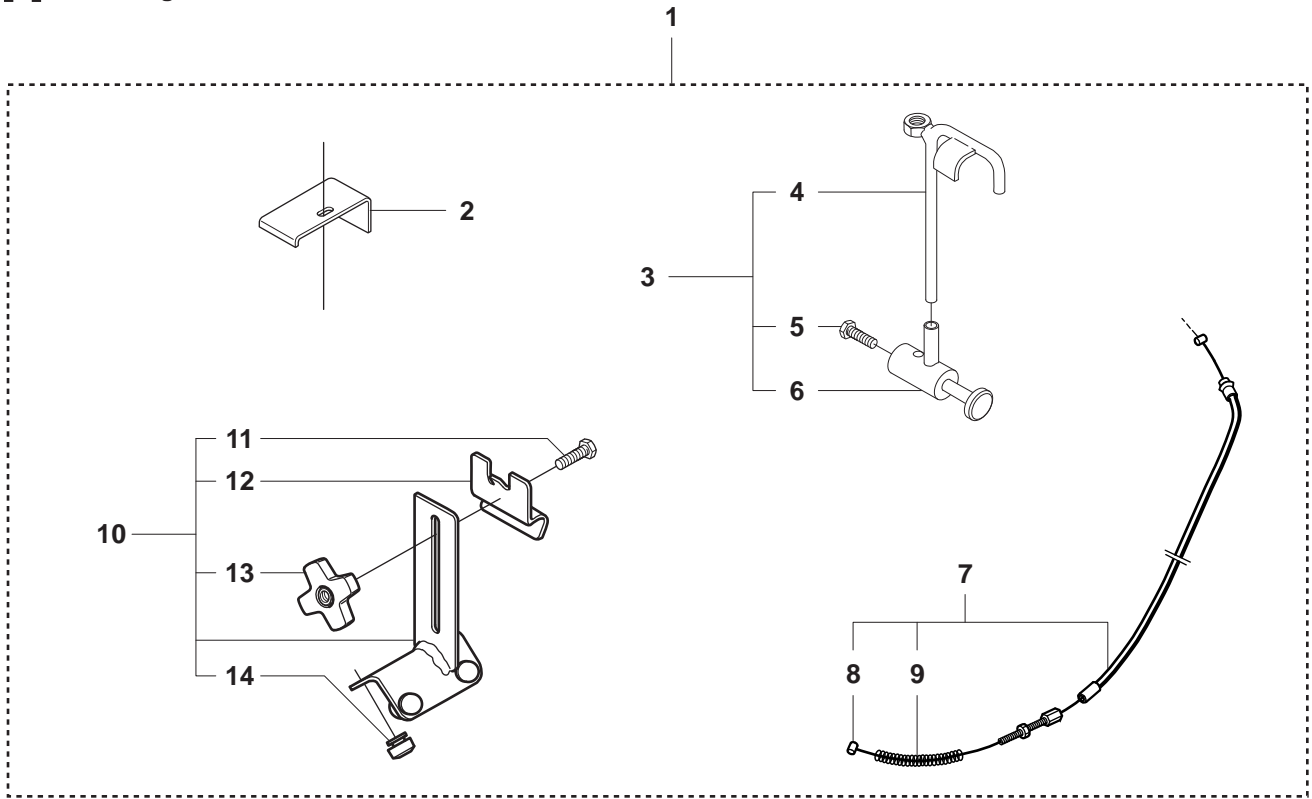
**K1250 Active Assembly**



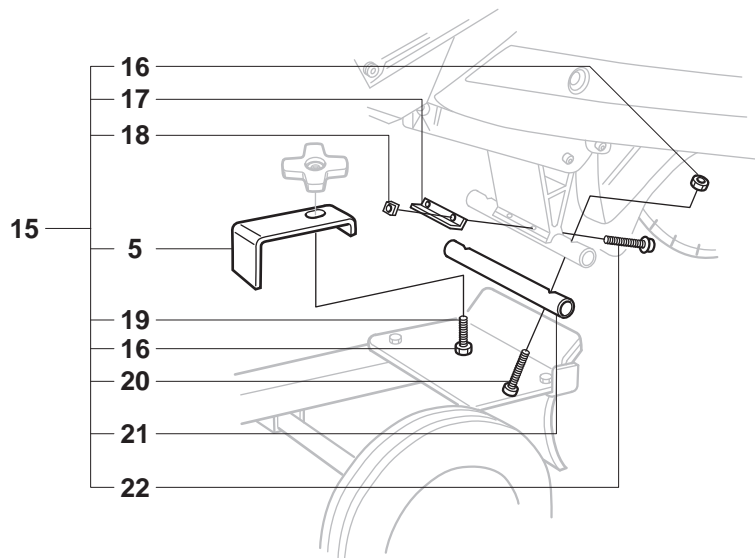
**Page G****KV03 II**

<b>Pos.</b>	<b>Part No.</b>	<b>Description</b>	<b>Quantity</b>	<b>Notes</b>
1	504 11 17-04	ASSEMBLY KIT	1	K1250. Incl. 2, 10
1	504 11 17-05	ASSEMBLY KIT	1	3120K. Incl. 2, 10
2	506 36 58-01	KIT	1	Incl. 3 - 7
3	506 36 04-01	CLAMP	1	
4	725 23 29-51	SCREW	1	
5	506 36 05-01	LEVER	1	
6	506 30 76-01	PRESSURE PLATE	1	K1250
7	506 36 16-01	THROTTLE WIRE	1	Incl. 8, 9
8	506 10 88-01	CABLE RETAINER	1	
9	506 20 55-02	COMPRESSION SPRING	1	
10	506 30 66-01	RETAINER	1	K1250. Incl. 11 - 14
10	506 31 05-01	RETAINER	1	3120K. Incl. 11 - 14
11	725 24 51-51	SCREW	1	
12	506 30 70-01	CLAMP	1	
13	506 31 95-01	STEERING WHEEL	1	
14	503 47 16-01	BUFFER	4	

**H** KV03 II  
Mounting kit for 371K



**Adapter Kit 371K**



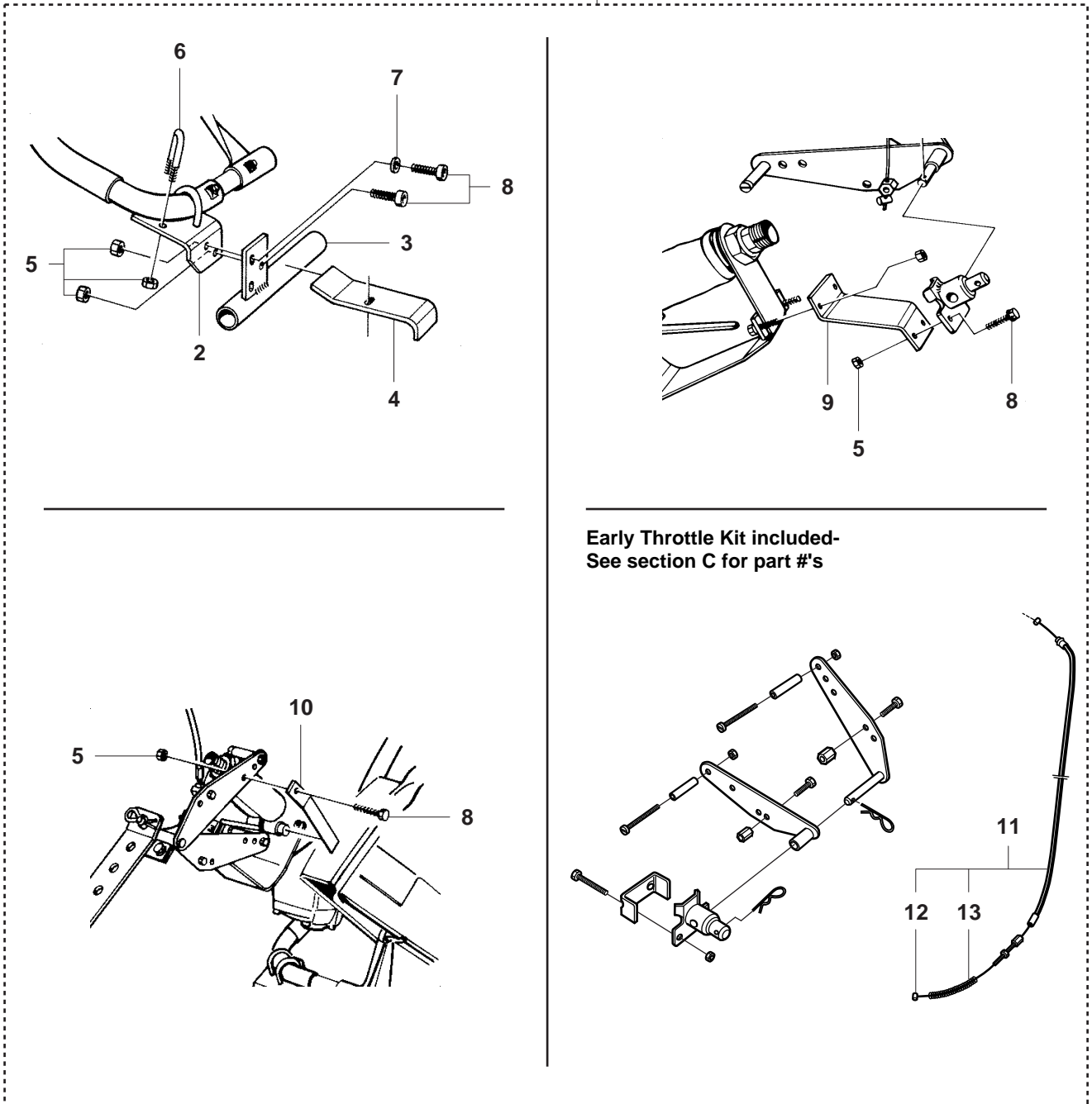


**Page H**  
**KV03 II**

<b>Pos.</b>	<b>Part No.</b>	<b>Description</b>	<b>Quantity</b>	<b>Notes</b>
1	504 11 17-06	ASSEMBLY KIT	1	Incl. 2, 3, 7, 10
2	506 30 83-01	PRESSURE PLATE	1	
3	506 36 20-01	THROTTLE	1	Incl. 4, 5, 6
4	506 36 22-01	CLAMP	1	
5	725 23 29-51	SCREW	1	
6	506 36 23-01	LEVER	1	
7	506 36 16-01	THROTTLE WIRE	1	Incl. 8, 9
8	506 10 88-01	CABLE RETAINER	1	
9	506 20 55-02	COMPRESSION SPRING	1	
10	506 31 05-01	RETAINER	1	Incl. 11, 12, 13, 14
11	725 24 51-51	SCREW	1	
12	506 30 70-01	CLAMP	1	
13	506 31 95-01	STEERING WHEEL	1	
14	503 47 16-01	BUFFER	4	
15	506 36 24-01	BRACKET	1	Incl. 5, 16 - 22
16	731 23 18-01	NUT	2	
17	506 30 81-01	BRACKET	1	
18	732 21 14-01	LOCK NUT	2	
19	725 24 69-51	SCREW	1	
20	725 24 63-51	SCREW	2	
21	506 31 45-01	SPACER TUBE	2	
22	725 53 29-55	SCREW	2	

**J** KV03 II  
Mounting kit for K30, K40

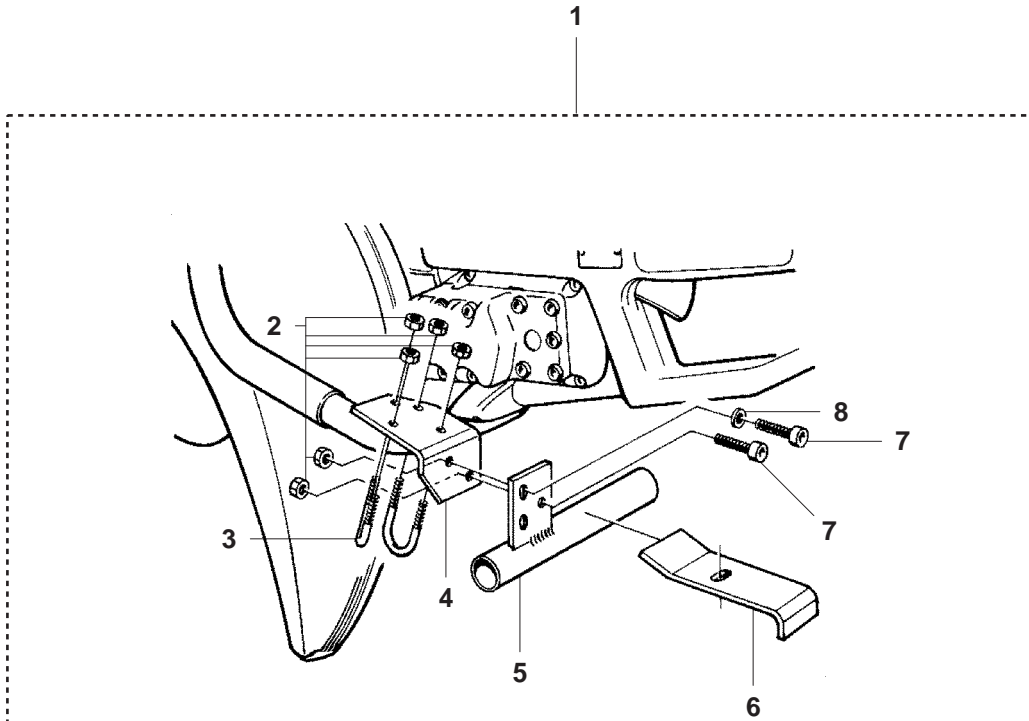
1



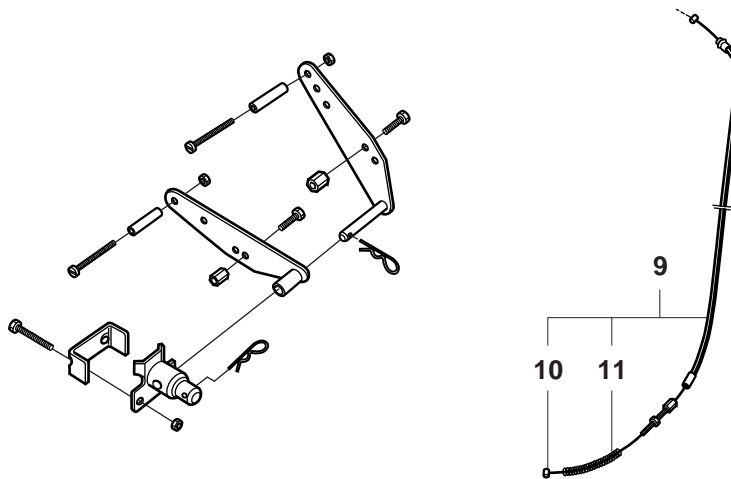
Early Throttle Kit included-  
See section C for part #'s

**Page J**  
**KV03 II**

<b>Pos.</b>	<b>Part No.</b>	<b>Description</b>	<b>Quantity</b>	<b>Notes</b>
1	506 36 62-01	KIT	1	Incl. 2 - 11
2	506 31 57-01	BRACKET	1	
3	506 31 58-01	BRACKET ASSY	1	
4	506 30 76-01	PRESSURE PLATE	1	
5	731 23 16-01	NUT	4	
6	506 31 47-01	CLIP	1	
7	734 11 53-01	WASHER	1	
8	725 23 68-51	SCREW	4	
9	506 31 59-01	BRACKET	1	
10	506 31 60-01	BAR	1	
11	506 36 16-02	THROTTLE WIRE	1	Incl. 12, 13
12	506 10 88-01	CABLE RETAINER	1	
13	506 20 55-03	COMPRESSION SPRING	1	



Early Throttle Kit included-  
See section C for part #'s



**Page K**  
**KV03 II**

<b>Pos.</b>	<b>Part No.</b>	<b>Description</b>	<b>Quantity</b>	<b>Notes</b>
1	506 36 61-01	KIT	1	Incl. 2 - 9
2	731 23 16-01	NUT	6	
3	506 31 47-01	CLIP	2	
4	506 31 57-01	BRACKET	1	
5	506 31 58-01	BRACKET ASSY	1	
6	506 30 76-01	PRESSURE PLATE	1	
7	725 23 68-51	SCREW	2	
8	734 11 53-01	WASHER	1	
9	506 36 16-02	THROTTLE WIRE	1	Incl. 10, 11
10	506 10 88-01	CABLE RETAINER	1	
11	506 20 55-03	COMPRESSION SPRING	1	

# ASSEMBLY INSTRUCTION

## KV03 MKII Cart

