

FORM : TL **DUO-FAST** 9

## HEAVY DUTY STAPLER

# KS-7648A

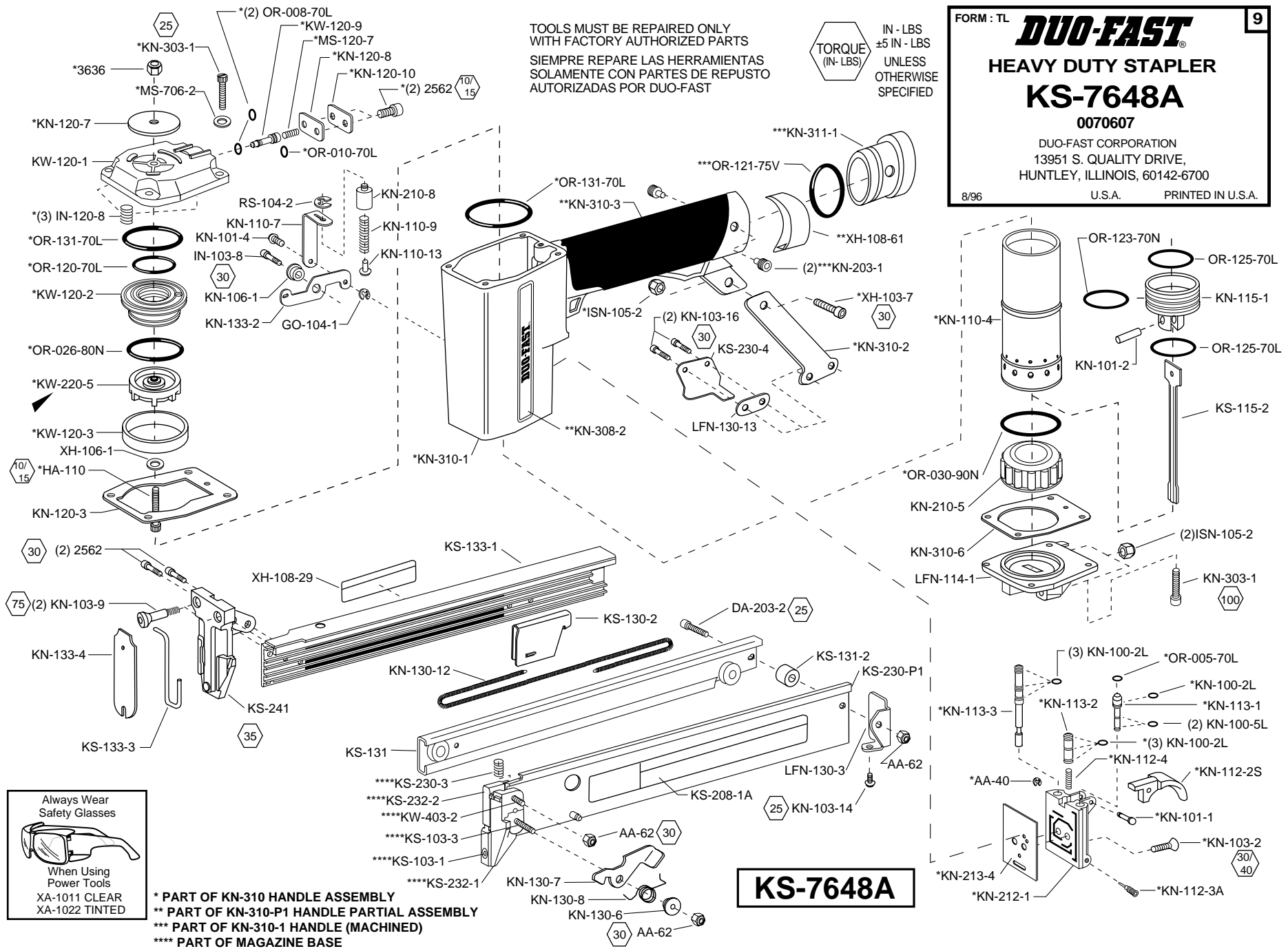
0070607

DUO-FAST CORPORATION  
13951 S. QUALITY DRIVE,  
HUNTLEY, ILLINOIS, 60142-6700

8/96 U.S.A. PRINTED IN U.S.A.

TOOLS MUST BE REPAIRED ONLY WITH FACTORY AUTHORIZED PARTS  
SIEMPRE REPARA LAS HERRAMIENTAS SOLAMENTE CON PARTES DE REPUESTO AUTORIZADAS POR DUO-FAST

TORQUE (IN - LBS) ±5 IN - LBS UNLESS OTHERWISE SPECIFIED



Always Wear Safety Glasses

When Using Power Tools  
XA-1011 CLEAR  
XA-1022 TINTED

\* PART OF KN-310 HANDLE ASSEMBLY  
\*\* PART OF KN-310-P1 HANDLE PARTIAL ASSEMBLY  
\*\*\* PART OF KN-310-1 HANDLE (MACHINED)  
\*\*\*\* PART OF MAGAZINE BASE

**KS-7648A**

ITEM CODE	PART NO.	PART NAME	ITEM CODE	PART NO.	PART NAME
0383760	2562	SCREW	0068221	KN-310-2	HANDLE REAR LEG
0384792	3636	NUT	0067066	KN-310-3	HANDLE GRIP
0390252	AA-40	E-RING	0072116	KN-310-6	NOSE PLATE GASKET
0390450	AA-62	NUT	0044727	KN-311-1	HANDLE PLUG
0402339	DA-203-2	SCREW	0418285	KS-103-1	F.H. SOC CAP SCREW
0410720	GO-104-1	E-RING	0436477	KS-103-3	F.H. SOC CAP SCREW
0412098	HA-110	SCREW	0418335	KS-115-2	DRIVER BLADE
0412627	IN-103-8	SCREW	0418384	KS-130-2	PUSHER
0413047	IN-120-8	SPRING	0418459	KS-131	TRACK ASM.
0413922	ISN-105-2	NUT	0418483	KS-131-2	SPACER
0288381	KN-100-2L	O-RING	0418525	KS-133-1	MAGAZINE COVER
0288332	KN-100-5L	O-RING	0418541	KS-133-3	LOWER YOKE
0417154	KN-101-1	TRIGGER PIN	0067934	KS-208-1A	MODEL LABEL
0417162	KN-101-2	BLADE RETAINING PIN	0418640	KS-230-P1	MAGAZINE BASE PART. ASM.
0417188	KN-101-4	YOKE PIVOT PIN	0418624	KS-230-3	SPRING
0417204	KN-103-2	SCREW	0418632	KS-230-4	BASE STOP
0417246	KN-103-9	SPEC. SHLDR. SCREW	0418673	KS-232-1	REAR NOSE
0417295	KN-103-14	SCREW	0418681	KS-232-2	NOSE SHEAR BLOCK
0417311	KN-103-16	SCREW	0418699	KS-241	FRONT NOSE
0417345	KN-106-1	STEP WASHER	0442616	KW-120-1	CAP
0417451	KN-110-7	UPPER YOKE	0442632	KW-120-2	POPPET
0417485	KN-110-9	YOKE SPRING	0442640	KW-120-3	POPPET SEAL
0417501	KN-110-13	SPRING POST	0442665	KW-120-9	DUMP VALVE
0417576	KN-112-2S	TRIGGER	0374512	KW-220-5	EXHAUST SEAL
0417592	KN-112-3A	NEEDLE VALVE	0437350	KW-403-2	F.H. SOC CAP SCREW
0417600	KN-112-4	SPRING	0455774	LFN-114-1	NOSE PLATE
0417626	KN-113-1	CYCLE VALVE	0454108	LFN-130-3	BASE END PLATE
0417634	KN-113-2	TRIGGER VALVE	0454165	LFN-130-13	WEAR PLATE
0417642	KN-113-3	SAFETY VALVE	0420331	MS-120-7	SPRING
0417709	KN-115-1	PISTON	0408302	MS-706-2	WASHER
0417782	KN-120-3	CAP GASKET	0196352	OR-005-70L	O-RING
0417824	KN-120-7	EXHAUST DEFLECTOR	0197186	OR-008-70L	O-RING
0417832	KN-120-8	COVER PLATE GASKET	0197194	OR-010-70L	O-RING
0417857	KN-120-10	DUMP VALVE COVER PLATE	0442590	OR-026-80N	O-RING
0417972	KN-130-6	LATCH BUSHING	0419531	OR-030-90N	O-RING
0417998	KN-130-7	LATCH	0201731	OR-120-70L	O-RING
0418012	KN-130-8	LATCH SPRING	0448860	OR-121-75V	O-RING
0418061	KN-130-12	PUSHER SPRING	0417147	OR-123-70N	O-RING
0418145	KN-133-2	YOKE CROSS LINK	0201830	OR-125-70L	O-RING
0418178	KN-133-4	YOKE COVER PLATE	0202291	OR-131-70L	O-RING
0040022	KN-203-1	DOG POINT SET SCREW	0443549	RS-104-2	E-RING
0511543	KN-210-4	CYLINDER SLEEVE	0456772	XA-1011	SAFETY GLASSES, CLEAR
0282905	KN-210-5	BUMPER	0277806	XA-1022	SAFETY GLASSES, TINTED
0345777	KN-210-8	YOKE SPRING RETAINER	0388009	XH-106-1	WASHER
0127548	KN-212-1	VALVE HOUSING (MACH)	0353722	XH-108-29	CYCLE LABEL
0098655	KN-213-4	VALVE HOUSING GASKET	0067942	XH-108-61	WARNING LABEL
0068973	KN-303-1	SCREW	0073247	XT-1030	HEX WRENCH SET
0046854	KN-308-2	LABEL-HANDLE			
0044636	KN-310-1	HANDLE (MACHINED)			

KS-7648A  
8/96 (9)