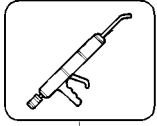


KR400
KR450
KR500
KR531
CD200

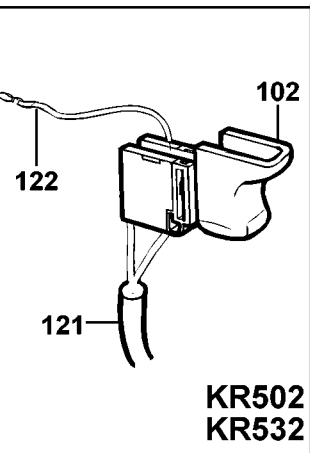
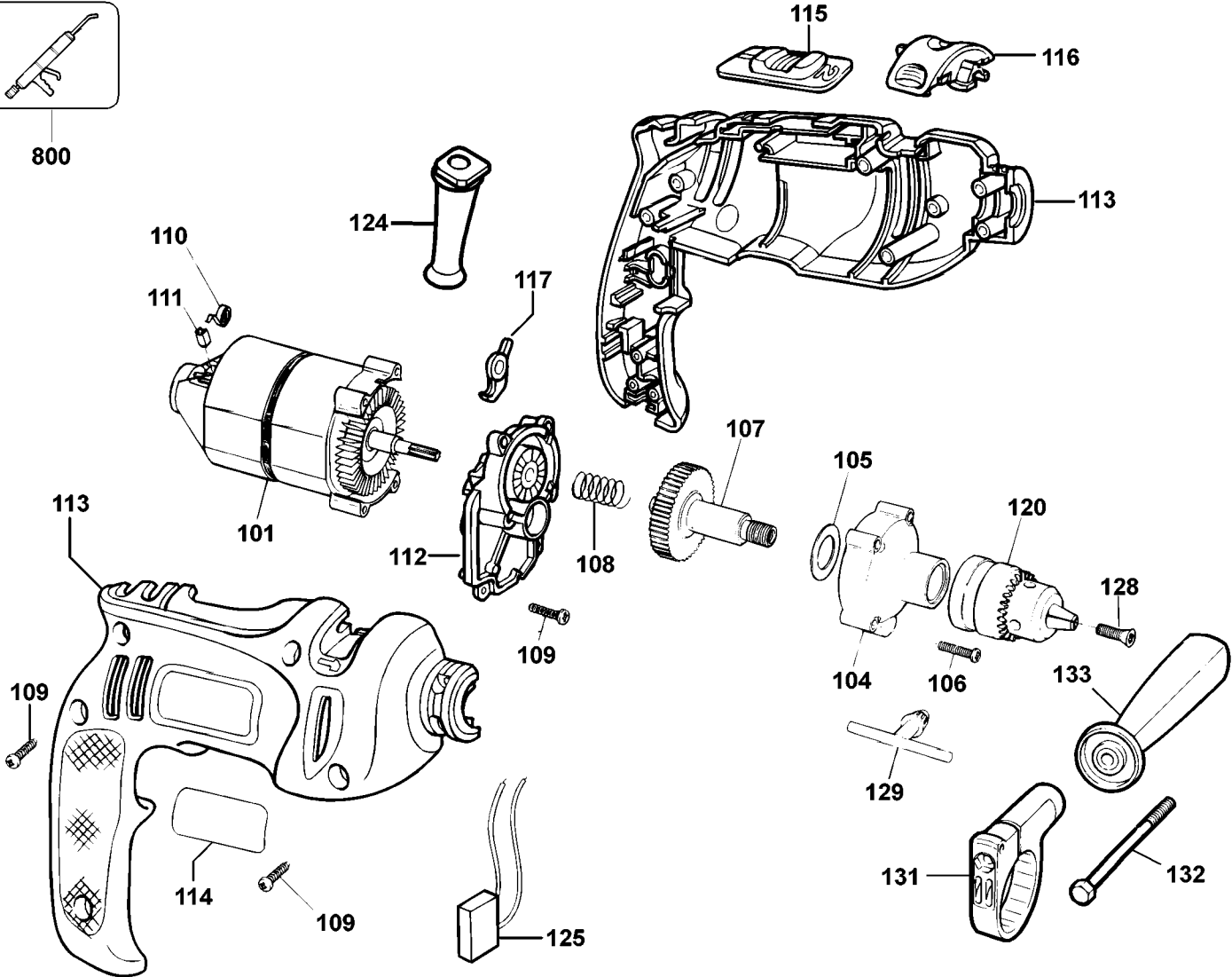
KR510XC
KR450RE
KR500RE
KR500CRE
KR510RE

KR502
KR532

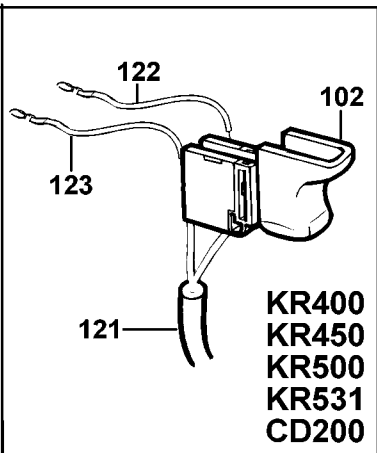
KR510XC
KR500CRE



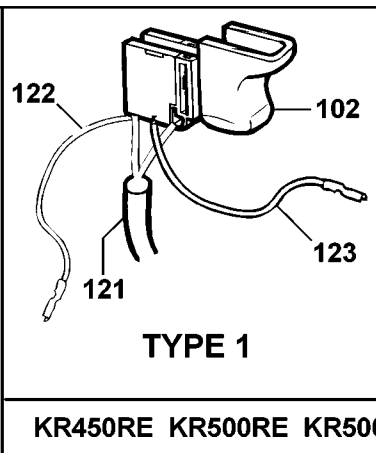
800



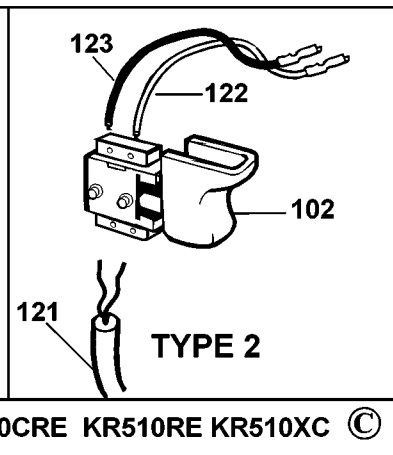
KR502
KR532



KR400
KR450
KR500
KR531
CD200



TYPE 1



TYPE 2

KR450RE KR500RE KR500CRE KR510RE KR510XC ©

Parts List for KR510REAR Type 1

Item Number	Part Number	Description	Qty Required
101	000000-00	No Longer Available	1
102	000000-00	No Longer Available	1
103	000000-00	No Longer Available	1
104	000000-00	No Longer Available	1
105	000000-00	No Longer Available	1
106	000000-00	No Longer Available	4
107	185851-03	SPINDLE	1
108	821986-00	SPRING	1
109	5103541-00	SCREW	11
110	747634-00	SPRING,BRUSH	2
111	832998-06	BRUSH	1
112	000000-00	No Longer Available	1
113	375147-05	CLAMSELL SET	1
114	375148-06	BRAND LABEL	1
115	000000-00	No Longer Available	1
116	375164-02	ACTUATOR	1
117	186452-00	THRUST PLATE	1
120	330033-15	CHUCK,10MM	1
121	573379-06	CORDSET	1
122	377470-00	LEAD	1
123	000000-00	No Longer Available	1
124	770236-00	PROTECTOR,CORD	1
125	807285-08	CAPACITOR	1
128	805434	SCREW, SPECIAL	1
129	330034-07	CHUCK KEY	1
131	376552-03	CLAMP	1
132	813918	SCREW	1

Parts List for KR510REAR Type 1

Item Number	Part Number	Description	Qty Required
133	000000-00	No Longer Available	1
800	870889-02	GREASE	1